

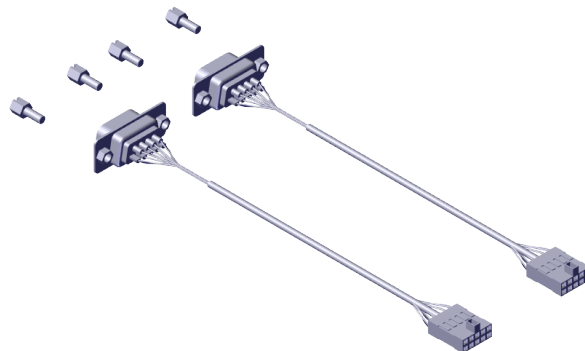


# Serial Cables (COM3/COM4)

## Kit Instructions

---

**7787**



7787-K496

Issue A

# Copyright and Trademark Information

---

The product described in this document is a licensed product of NCR Voyix Corporation.

NCR Voyix POS Terminal VX80 (7787) is a trademark of NCR Voyix Corporation in the United States and/or other countries. Other product names mentioned in this publication may be trademarks or registered trademarks of their respective companies and are hereby acknowledged.

Where creation of derivative works, modifications or copies of this NCR Voyix copyrighted documentation is permitted under the terms and conditions of an agreement you have with NCR Voyix, NCR Voyix's copyright notice must be included.

Disclaimer:

It is the policy of NCR Voyix Corporation to improve products as technology, components, software and firmware become available. NCR Voyix therefore reserves the right to change specifications without prior notice.

All features, functions and operations described herein may not be marketed by NCR Voyix in all parts of the world. In some instances, photographs are of equipment prototypes.

Therefore, before using this document, consult with your NCR Voyix representative or NCR Voyix office for information that is applicable and current.

© 2025

By NCR Voyix Corporation

Atlanta, Georgia, USA

All Rights Reserved

# Revision Record

---

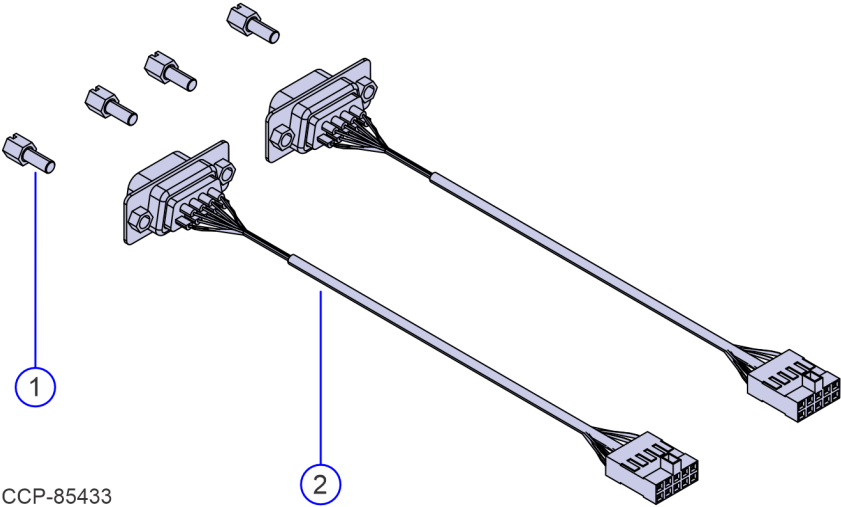
Publication issue	Date	Description of change
A	Mar 2025	First issue

# 7787-K496 Serial Cables (COM3/COM4)

---

This kit provides Serial Cables for COM3 and COM4 of the NCR Voyix POS Terminal VX80 (7787).

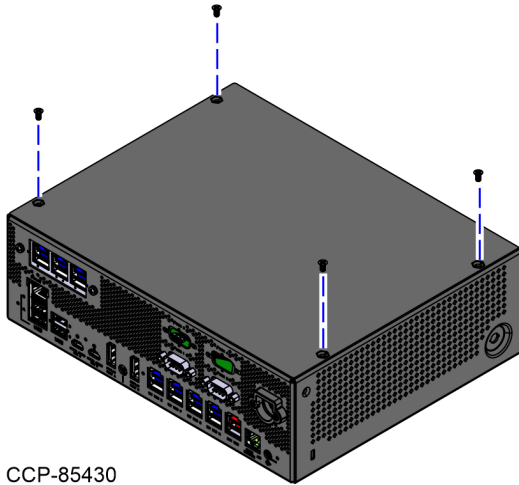
## Kit Contents



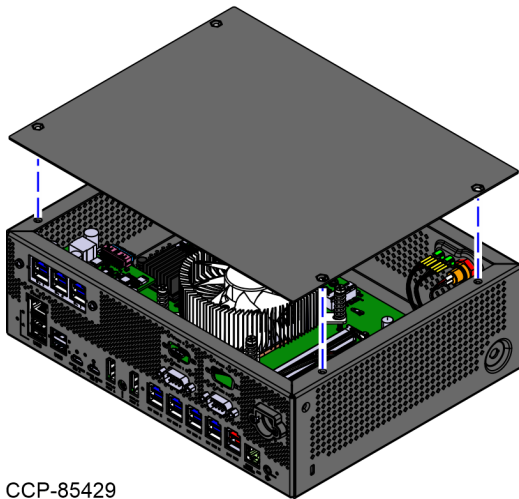
Item	Part Number	Description
	497-0537080	7787-K496 Serial Cables (COM3/COM4)
1	006-8613209	Screw, Standoff, #4-40 x 0.187 x 0.462, Hex, Male/Female, with slot, Nickel
2	497-0526553	Cable, RS232, Panel Mount

# Installation Procedure

1. Remove four (4) screws from the Top Cover, as shown in the image below.



2. Remove the Top Cover.



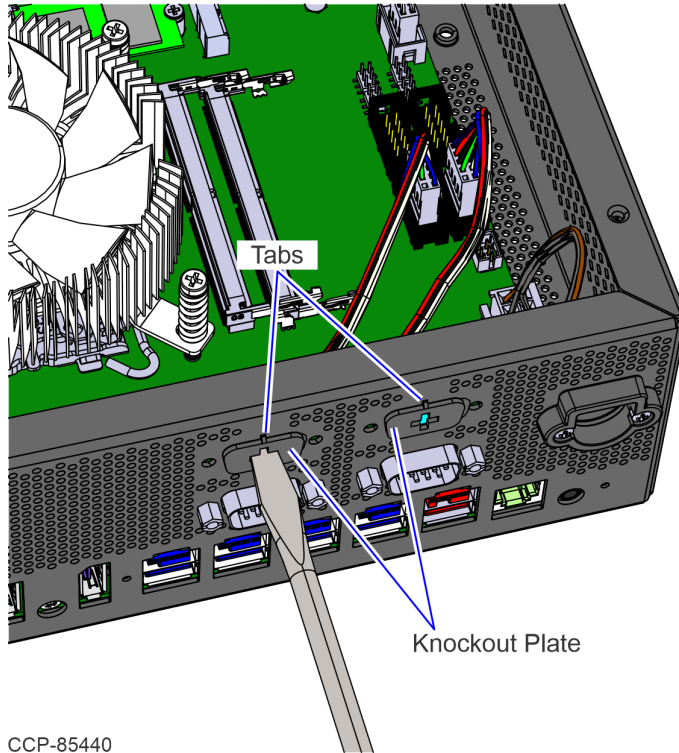
3. Place a clean cloth over the Motherboard.

## Note

The cloth is to catch any metal shavings when the knockout plate is removed.

4. Remove the knockout plates.

- a. Insert a screwdriver into the slot of the knockout plate and bend up to break the tab that connects the knockout plate to the chassis. Repeat this in the other knockout plate.

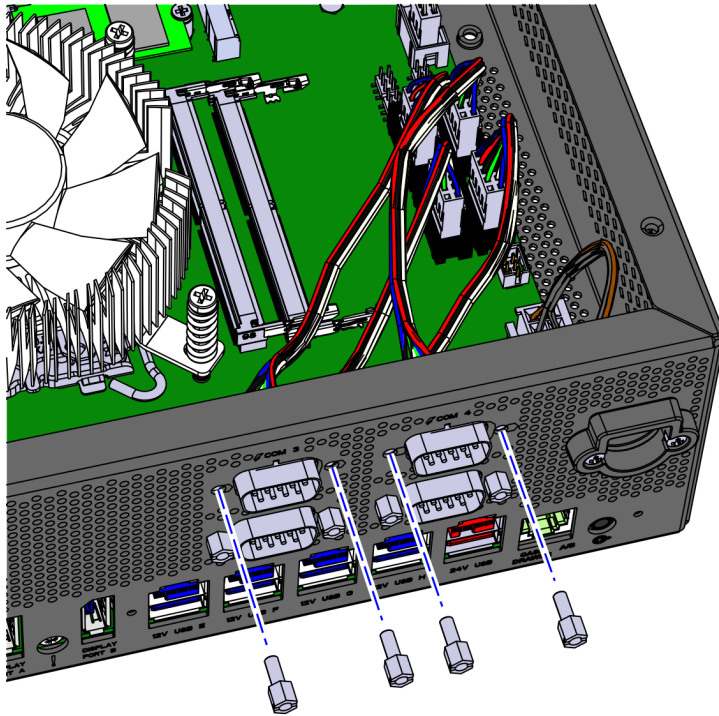


CCP-85440

- b. Detach the knockout plates from the chassis.

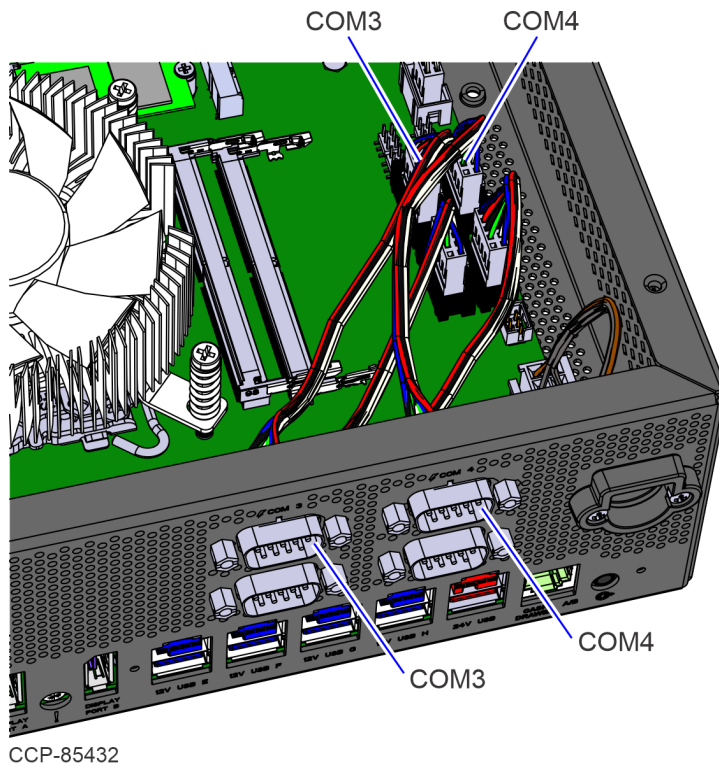
5. Hold the terminal upside down and shake the unit to remove any metal shavings that may have fallen on the Motherboard.

6. Attach the Serial Cables to the chassis using two (2) hex stand-offs per cable, as shown in the image below.

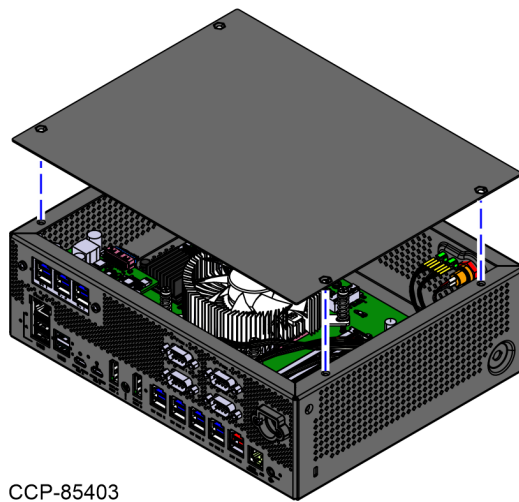


CCP-85431

7. Connect the Cables to their corresponding connector on the Motherboard.



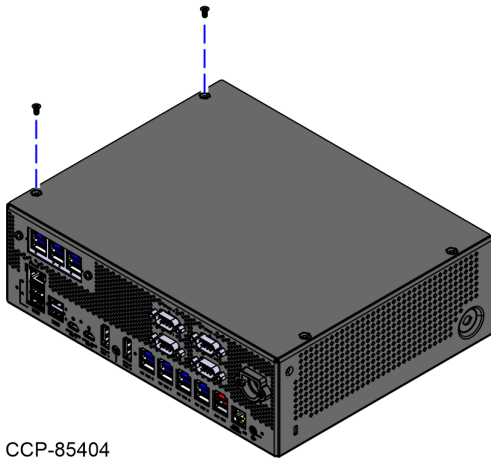
8. Place the Top Cover on the chassis.



Confidential and proprietary information of NCR Voyix.  
Use and disclose solely pursuant to company instructions.



9. Install the screws in the sequence shown.
  - a. Install two (2) screws on the location shown.



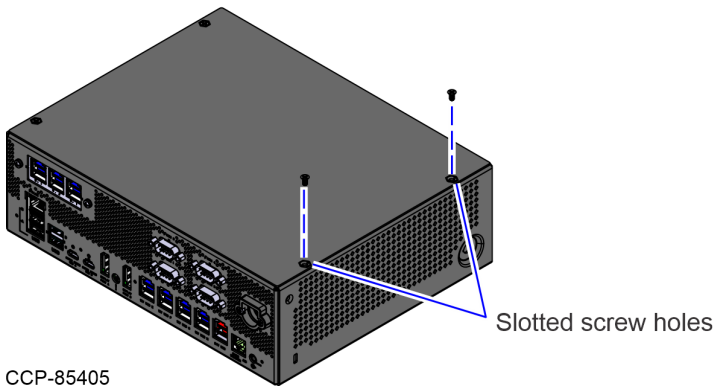
CCP-85404

- b. Install the remaining two (2) screws on the slotted holes, as shown in the image below.



**Note**

The slotted screw holes allow for any tolerance difference in the chassis dimensions.



CCP-85405