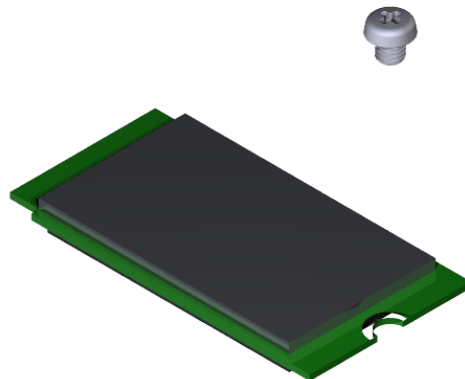


Kit Instructions

240GB Solid State Drive (SSD)



7773-K243
Issue B



The product described in this document is a licensed product of NCR Corporation.

NCR is a registered trademark of NCR Corporation. Product names mentioned in this publication may be trademarks or registered trademarks of their respective companies and are hereby acknowledged.

Where creation of derivative works, modifications or copies of this NCR copyrighted documentation is permitted under the terms and conditions of an agreement you have with NCR, NCR's copyright notice must be included.

It is the policy of NCR Corporation (NCR) to improve products as new technology, components, software, and firmware become available. NCR, therefore, reserves the right to change specifications without prior notice.

All features, functions, and operations described herein may not be marketed by NCR in all parts of the world. In some instances, photographs are of equipment prototypes. Therefore, before using this document, consult with your NCR representative or NCR office for information that is applicable and current.

Copyright © 2019–2021
By NCR Corporation
Global Headquarters
864 Spring St NW
Atlanta, GA 30308
U.S.A.
All Rights Reserved

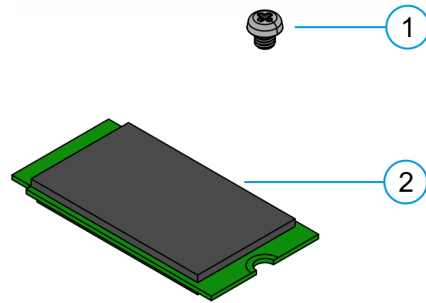
Revision Record

Issue	Date	Remarks
A	Nov 2019	First Issue
B	Dec 2021	Added Warning statement

240GB Solid State Drive (SSD)

This kit provides a 240GB Solid State Drive for the NCR CX5 All-in-One POS (7773).


Kit Contents




CCP-77007

Item	Part Number	Description
1	006-8627556	Screw, M3x4mm Phillips, Low Profile, Black
2	006-8627514	Storage, Apacer, 240GB M.2 42mm SATA 3D NAND Module

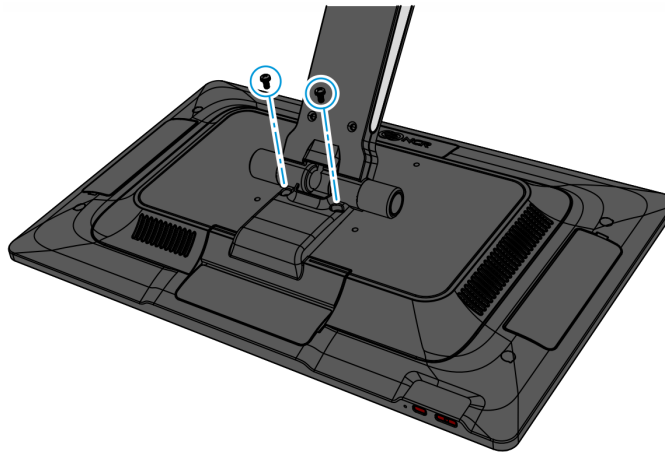
Installation Procedure

 **Warning:** Disconnect the AC power cord from the AC outlet and wait 30 seconds before servicing the terminal.

1. Lay the Display face down on a flat surface.

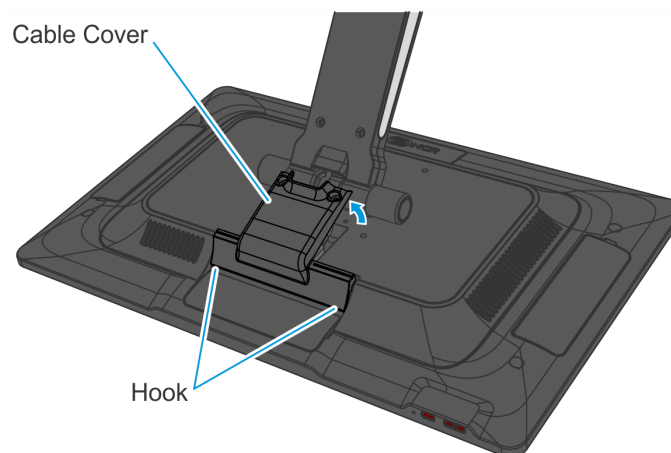
 **Note:** Always use a soft material (cloth, foam) to protect the display screen when placing the terminal face down.

2. Remove the Cable Cover.
 - a. Remove the two (2) screws that secure the Cable Cover to the Back Cover.



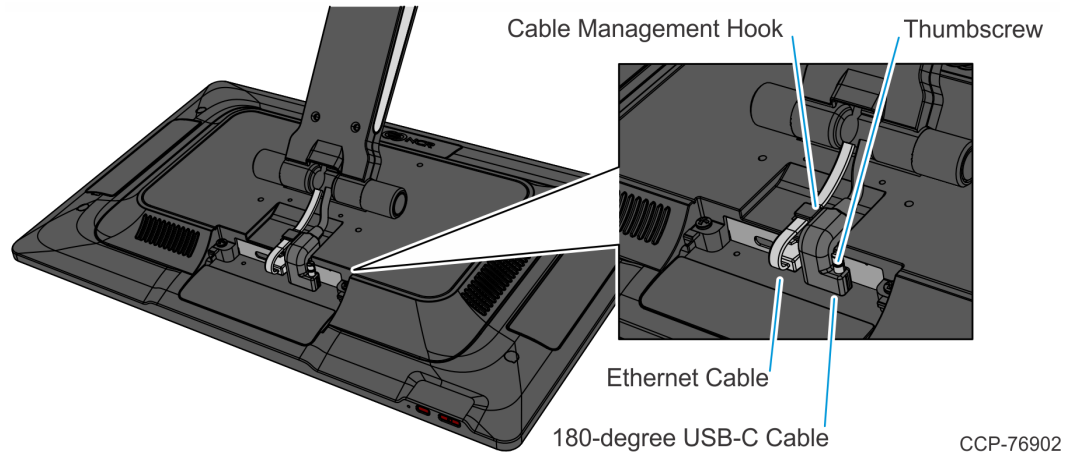
CCP-77013

- b. Rotate and unhook the Cable Cover from the Back Cover.

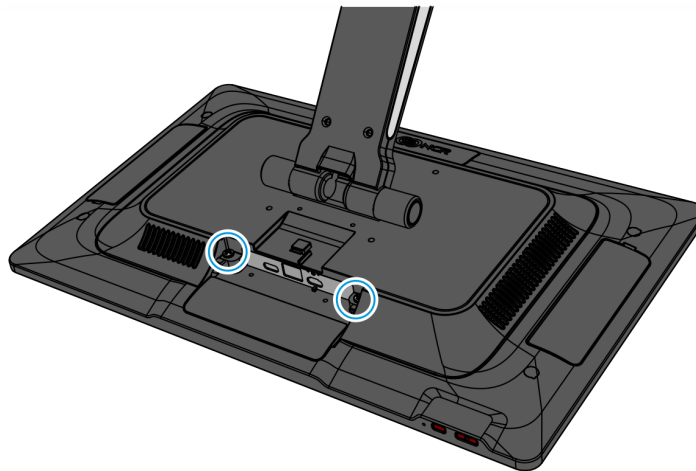


CCP-77014

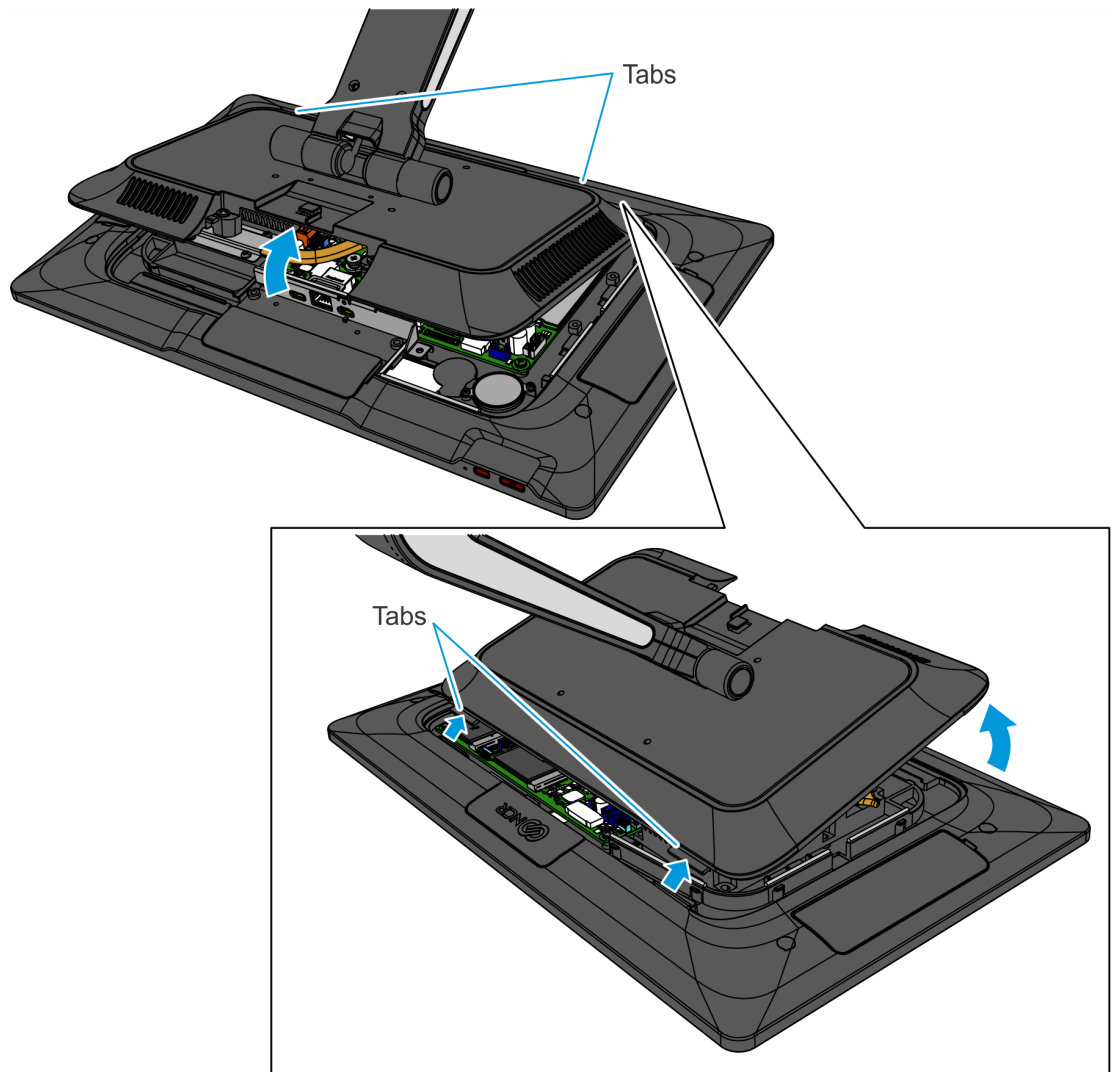
3. Disconnect the Cables.
 - a. Loosen the thumbscrew of the 180-degree USB-C Cable then disconnect the Cable.
 - b. Remove the Ethernet Cable from the Cable Management Hook then disconnect the Cable.



4. Loosen the two (2) captive screws that secure the Back Cover to the Display.



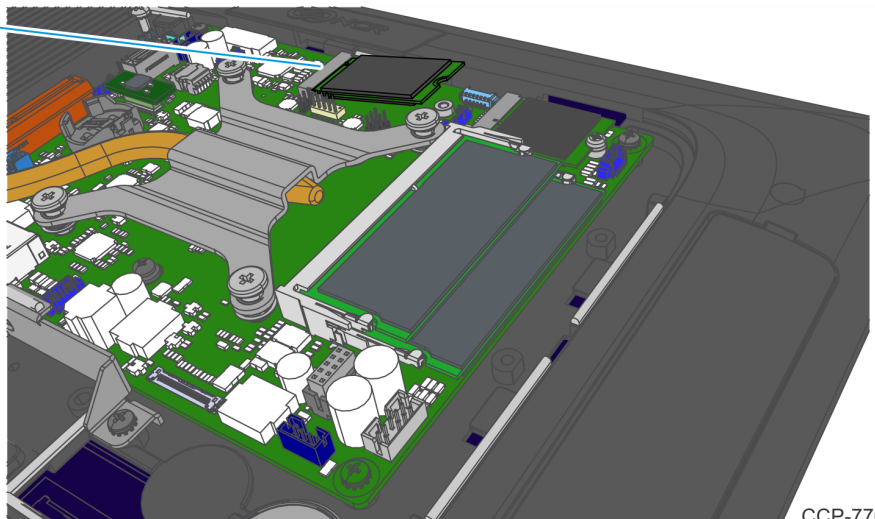
5. Rotate the Back Cover away from the Display and unhook the Back Cover Tabs.



CCP-78855

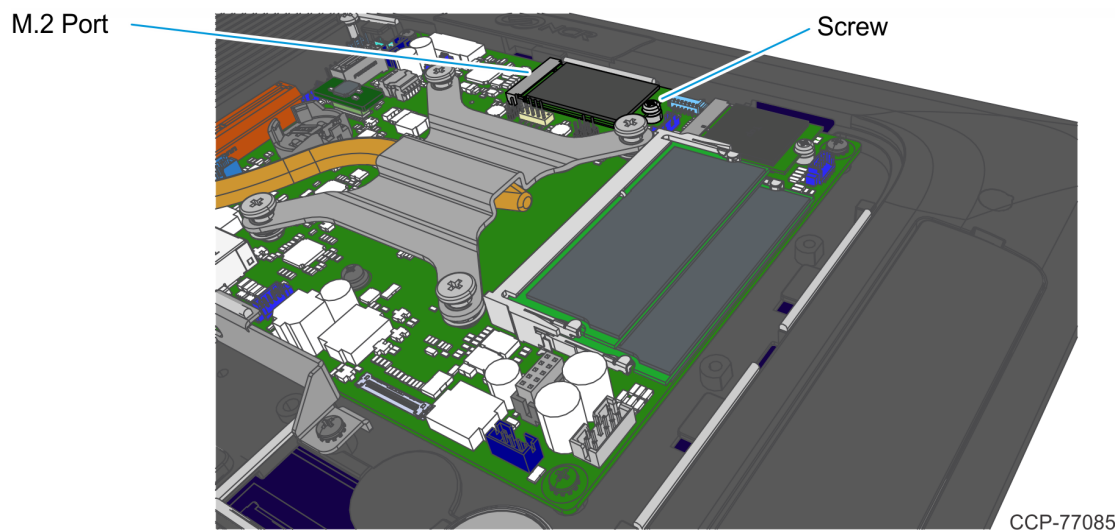
6. Insert the M.2 SSD at an angle and slide it into the connector.

M.2 Port



CCP-77084

7. Secure the M.2 SSD to the Motherboard with a screw.



8. Reinstall the Display Back Cover.
9. Reconnect the 180-degree USB-C Cable and Ethernet Cable.
10. Reinstall the Cable Cover.