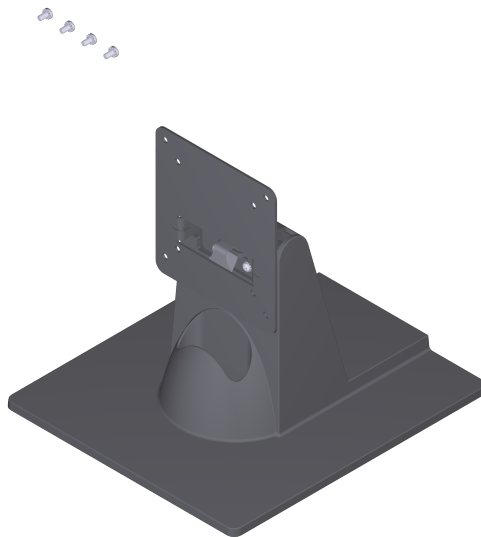




Table Top Stand and Hinge Assembly, CX, Black

Kit Instructions



7772-K931

Issue A

Copyright

The product described in this document is a licensed product of NCR Voyix Corporation.

NCR CX7 All-in-One POS (7772) is a trademark of NCR Voyix Corporation in the United States and/or other countries. Other product names mentioned in this publication may be trademarks or registered trademarks of their respective companies and are hereby acknowledged.

Where creation of derivative works, modifications or copies of this NCR Voyix copyrighted documentation is permitted under the terms and conditions of an agreement you have with NCR Voyix, NCR Voyix's copyright notice must be included.

It is the policy of NCR Voyix Corporation to improve products as new technology, components, software, and firmware become available. NCR Voyix, therefore, reserves the right to change specifications without prior notice.

All features, functions, and operations described herein may not be marketed by NCR Voyix in all parts of the world. In some instances, photographs are of equipment prototypes. Therefore, before using this document, consult with your NCR Voyix representative or NCR Voyix office for information that is applicable and current.

Copyright © 2023–2024
By NCR Voyix Corporation
Atlanta, Georgia, USA
All Rights Reserved

Table of Contents

Copyright	2
Table Top Stand and Hinge Assembly, CX, Black	5
Kit Contents	5
Installation Procedure	5

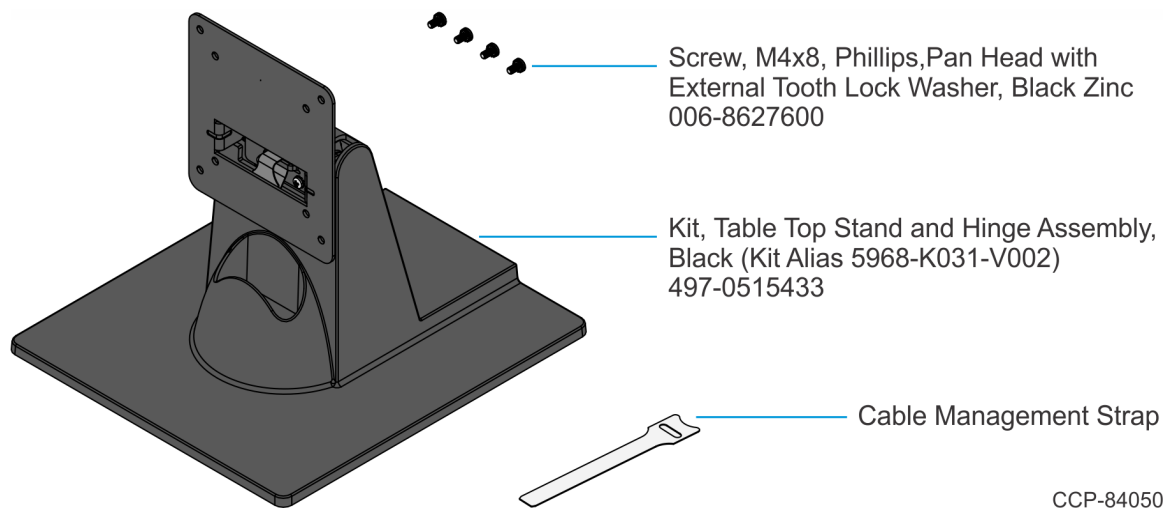
Revision Record

Issue	Date	Remarks
A	Oct 2023	First Issue

Table Top Stand and Hinge Assembly, CX, Black

This kit provides a Table Top Stand for the NCR CX7 All-in-One POS (7772).

Kit Contents



Installation Procedure

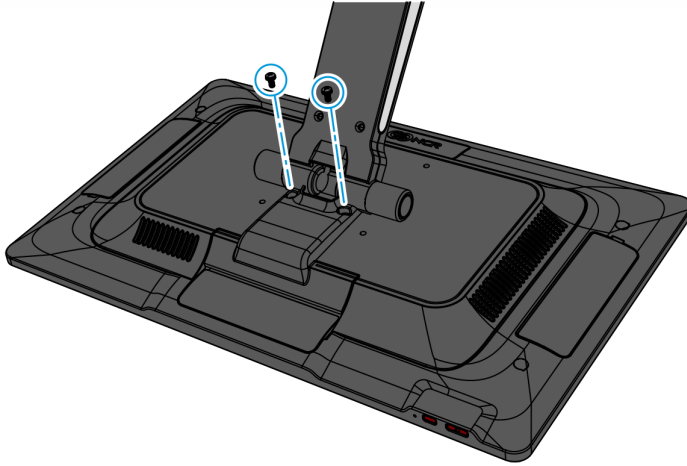
Warning

Disconnect the AC power cord from the AC outlet and wait 30 seconds before servicing the terminal.

1. Lay the Display face down on a flat surface.
Always use a soft material (cloth, foam) to protect the display screen when placing the terminal face down.

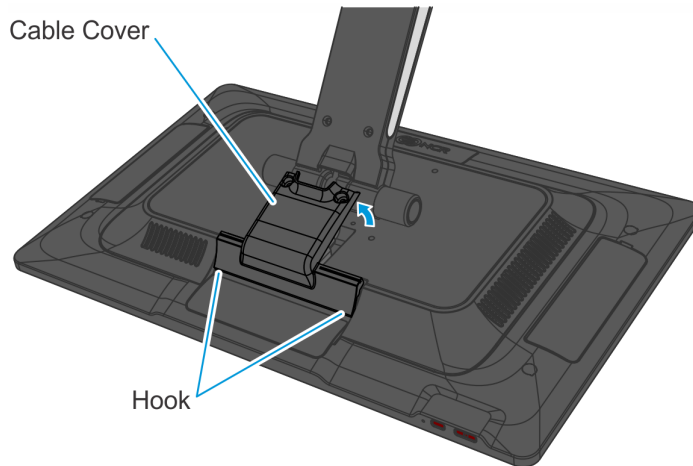
2. Remove the Cable Cover.

- a. Remove the two (2) screws that secure the Cable Cover to the Back Cover.



CCP-77013

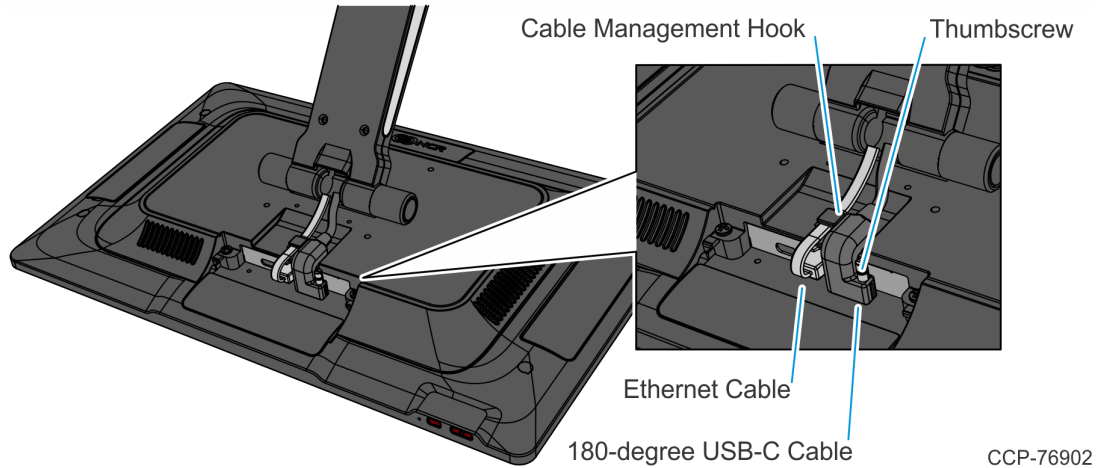
- b. Rotate and unhook the Cable Cover from the Back Cover.



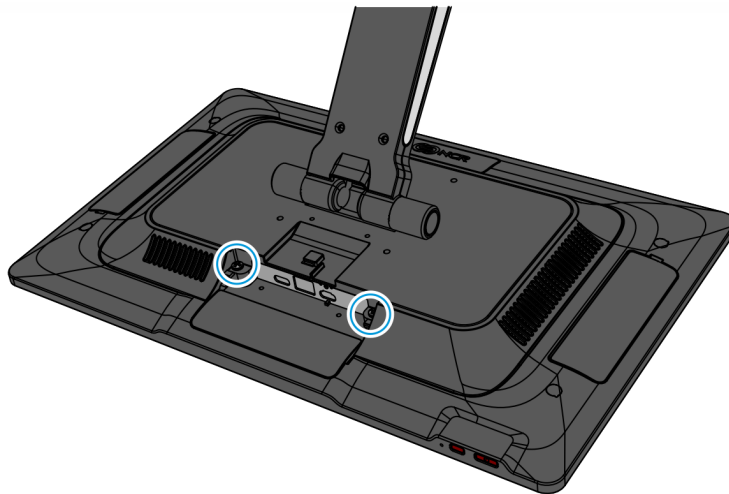
CCP-77014

3. Disconnect the Cables.

- a. Loosen the thumbscrew of the 180-degree USB-C Cable then disconnect the Cable.
- b. Remove the Ethernet Cable from the Cable Management Hook then disconnect the Cable.

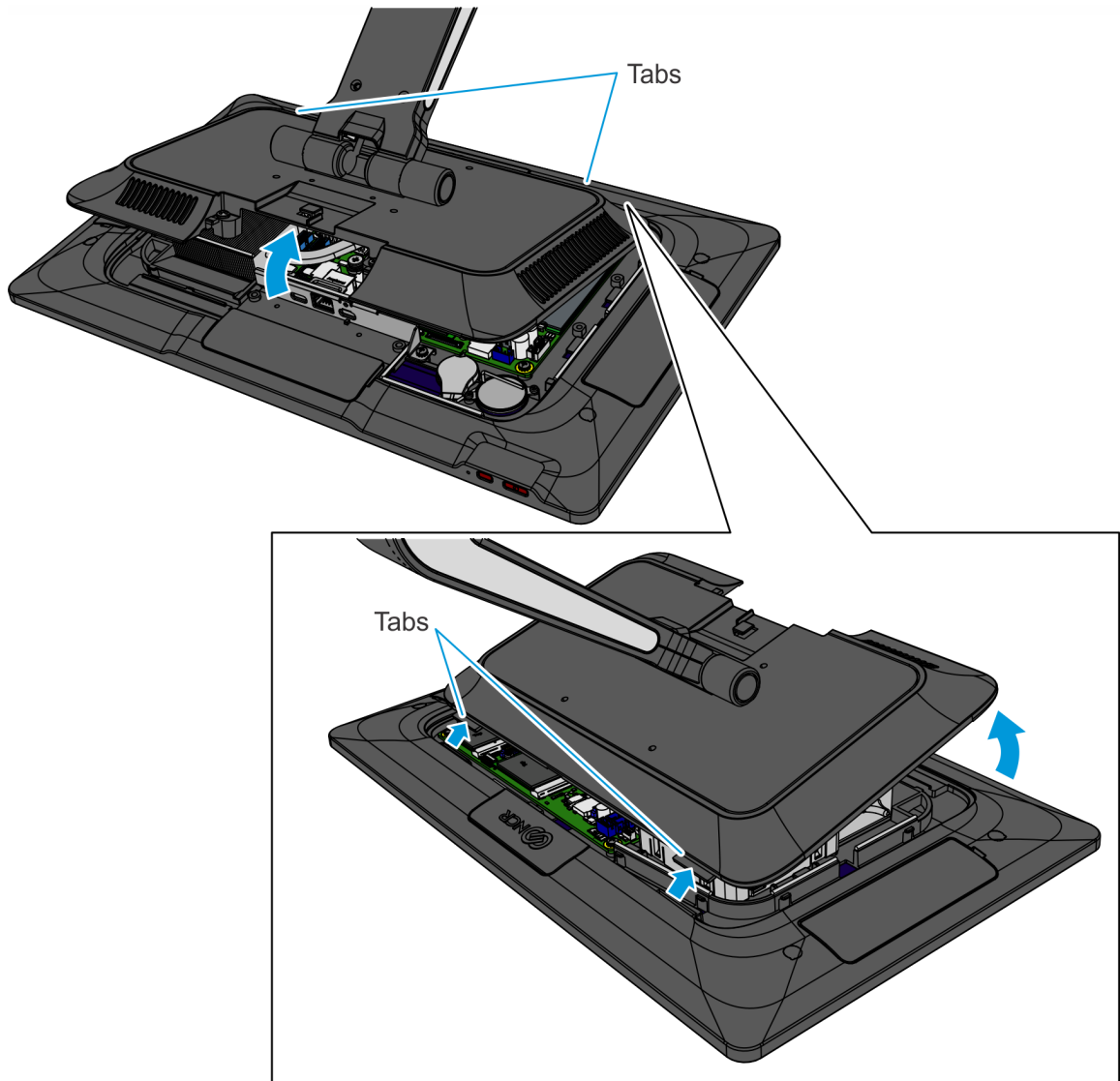


4. Loosen the two (2) captive screws that secure the Back Cover to the Display.



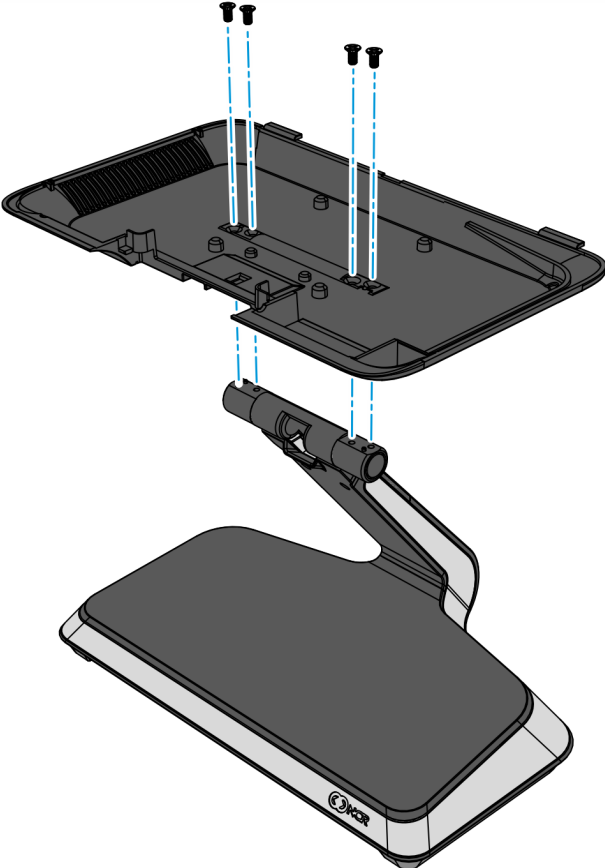
CCP-76903

5. Rotate the Back Cover away from the Display and unhook the Back Cover Tabs.



CCP-78836

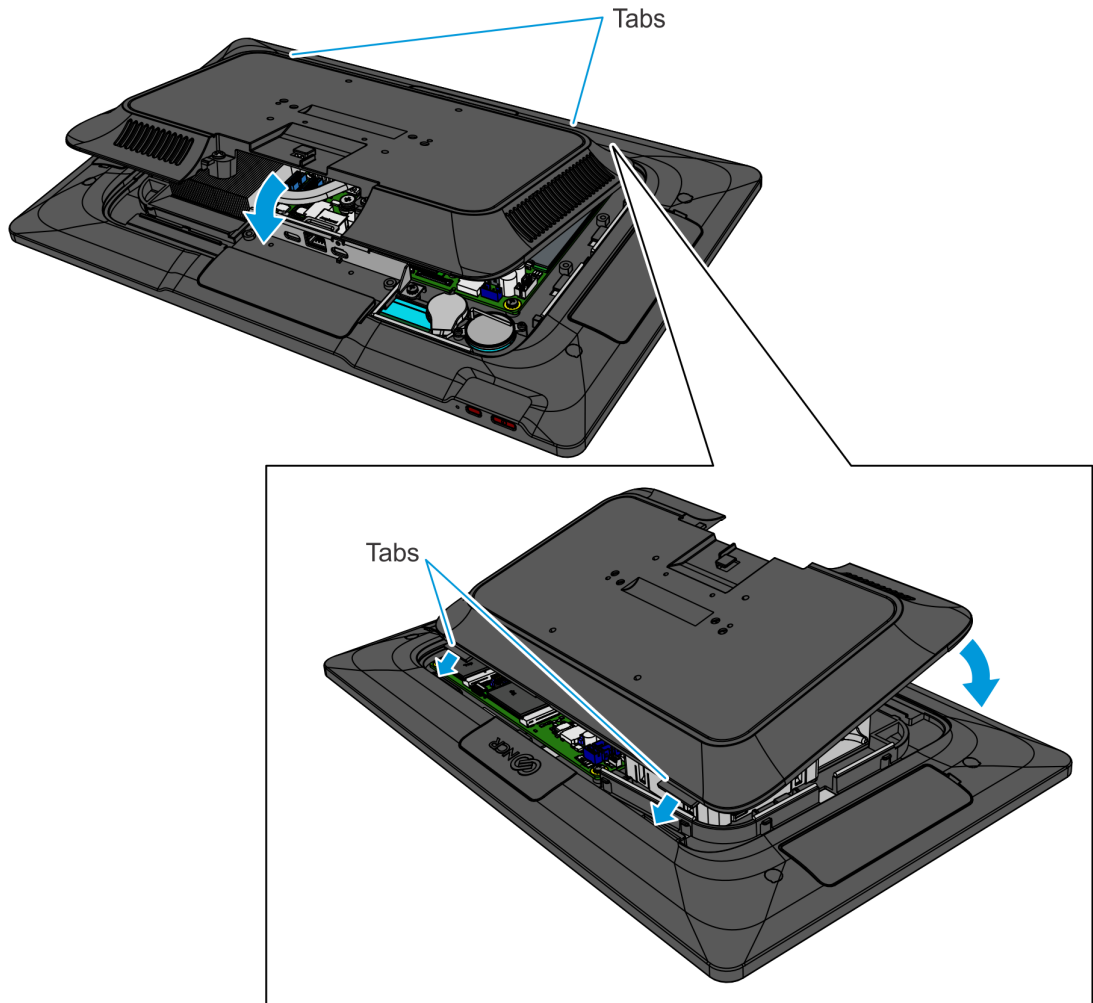
6. Remove the four (4) screws securing the Display Back Cover to the hinge of the Base.



CCP-78226

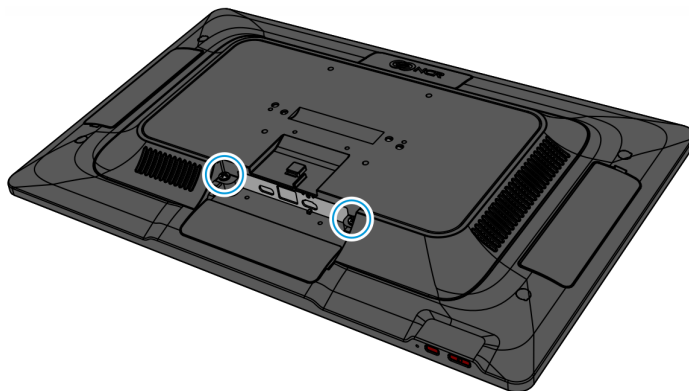
7. Install the Back Cover on the Display.

- a. Insert the Back Cover Tabs into the openings in the back of the Display, then rotate the Back Cover onto the Display.



CCP-78838

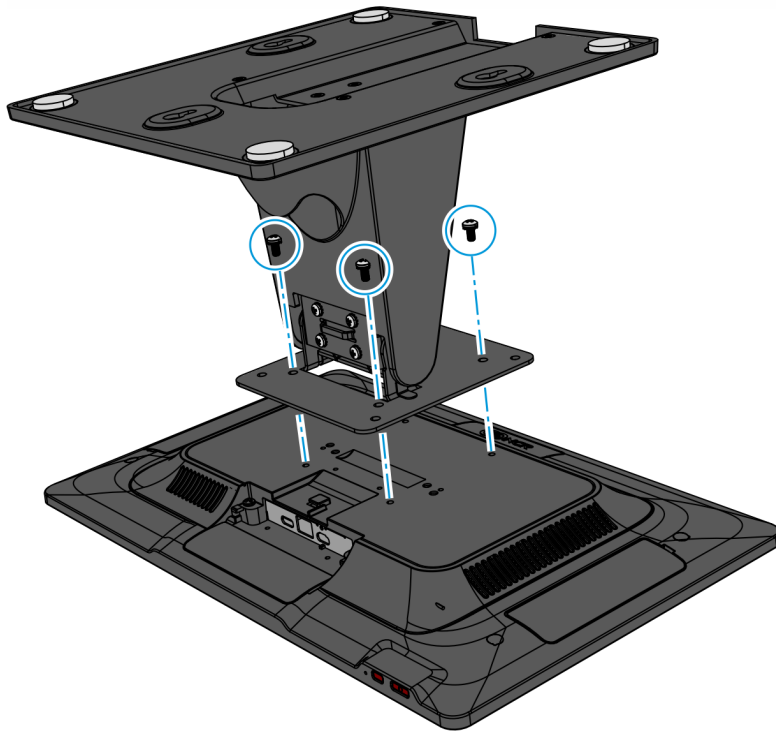
- b. Secure the Back Cover with two (2) captive screws.



CCP-78250

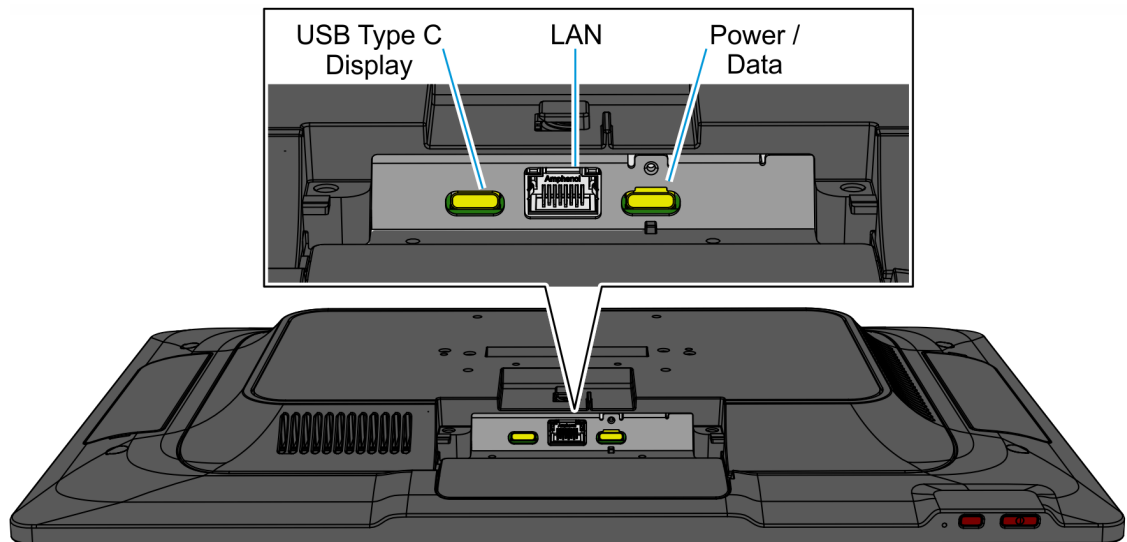
Confidential and proprietary information of NCR Voyix.
Use and disclose solely pursuant to company instructions.

8. Install the Stand on the back of the Display (4 screws).



CCP-84051

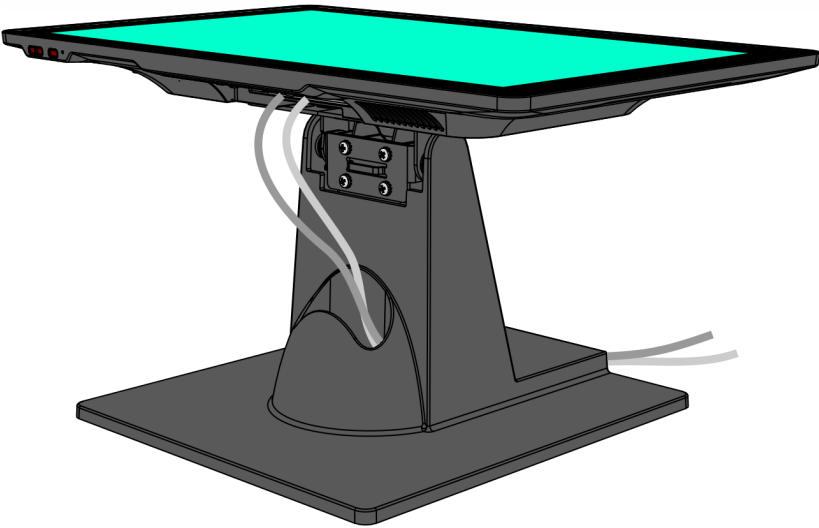
9. Connect the Cables on the back of the Display.



CCP-81523

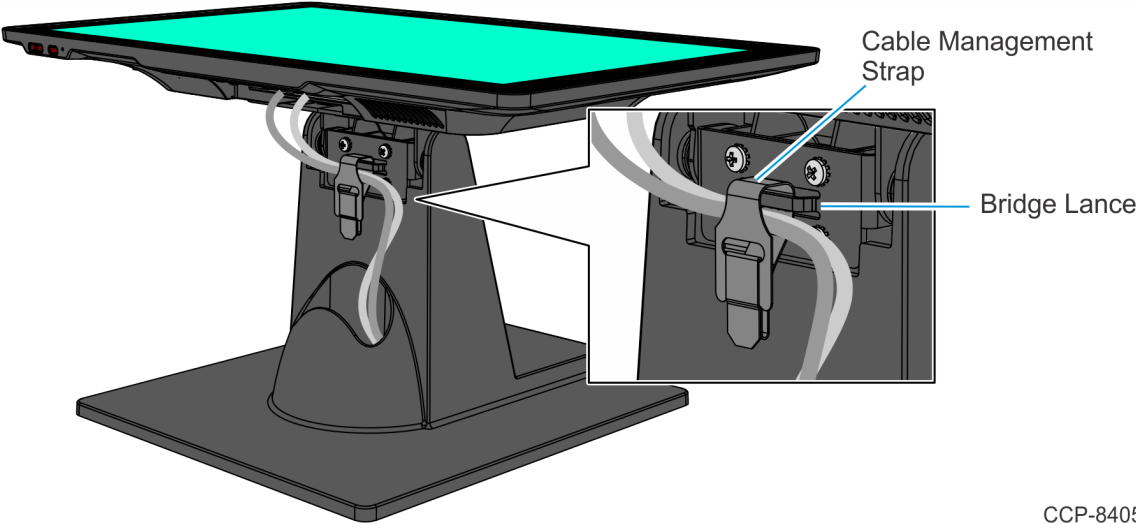
Confidential and proprietary information of NCR Voyix.
Use and disclose solely pursuant to company instructions.

10. Route the Cables through the Stand as shown.



CCP-84052

11. Secure the Cables on the bridge lance using the Cable Management Strap.



CCP-84053