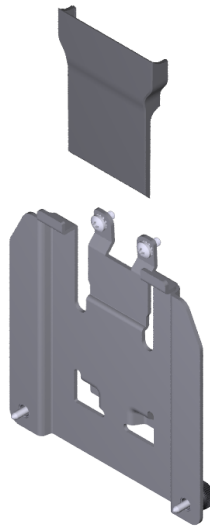




XL15W Mounting Bracket

Kit Instructions



7772-K915

Issue C

Copyright

The product described in this document is a licensed product of NCR Voyix Corporation.

NCR CX7 All-in-One POS (7772) is a trademark of NCR Voyix Corporation in the United States and/or other countries. Other product names mentioned in this publication may be trademarks or registered trademarks of their respective companies and are hereby acknowledged.

Where creation of derivative works, modifications or copies of this NCR Voyix copyrighted documentation is permitted under the terms and conditions of an agreement you have with NCR Voyix, NCR Voyix's copyright notice must be included.

It is the policy of NCR Voyix Corporation to improve products as new technology, components, software, and firmware become available. NCR Voyix, therefore, reserves the right to change specifications without prior notice.

All features, functions, and operations described herein may not be marketed by NCR Voyix in all parts of the world. In some instances, photographs are of equipment prototypes. Therefore, before using this document, consult with your NCR Voyix representative or NCR Voyix office for information that is applicable and current.

Copyright © 2021–2024
By NCR Voyix Corporation
Atlanta, Georgia, USA
All Rights Reserved

Table of Contents

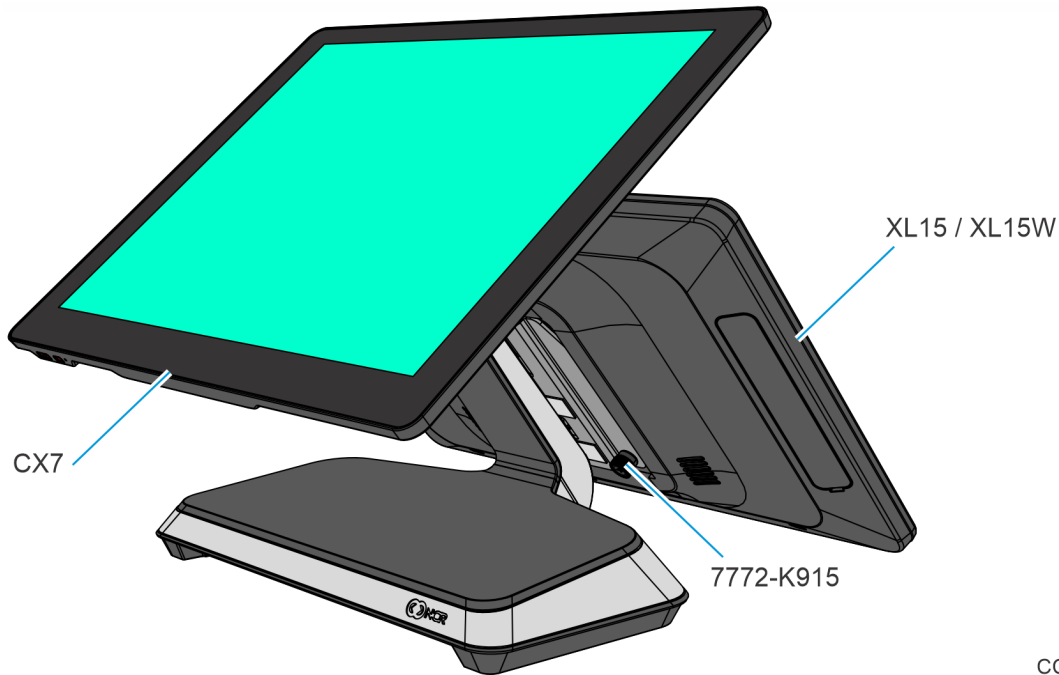
Copyright	2
XL15W Mounting Bracket	5
Kit Contents	5
Installation Procedure	6

Revision Record

Issue	Date	Remarks
A	Apr 2021	First Issue
B	Dec 2021	Added Warning statement
C	Dec 2023	Added illustration in the Introduction Added XL15

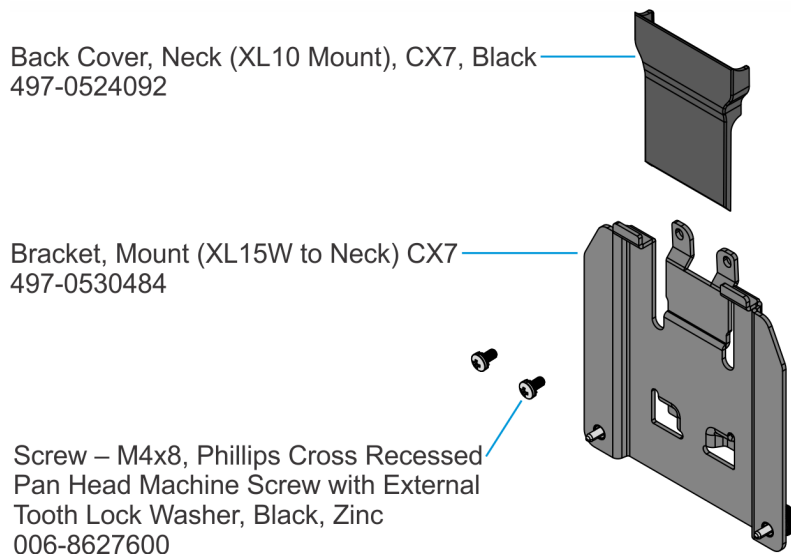
XL15W Mounting Bracket

This kit provides a mounting bracket to install the XL15 or XL15W Display on the neck of the NCR CX7 All-in-One POS (7772).



CCP-84078

Kit Contents



CCP-80901

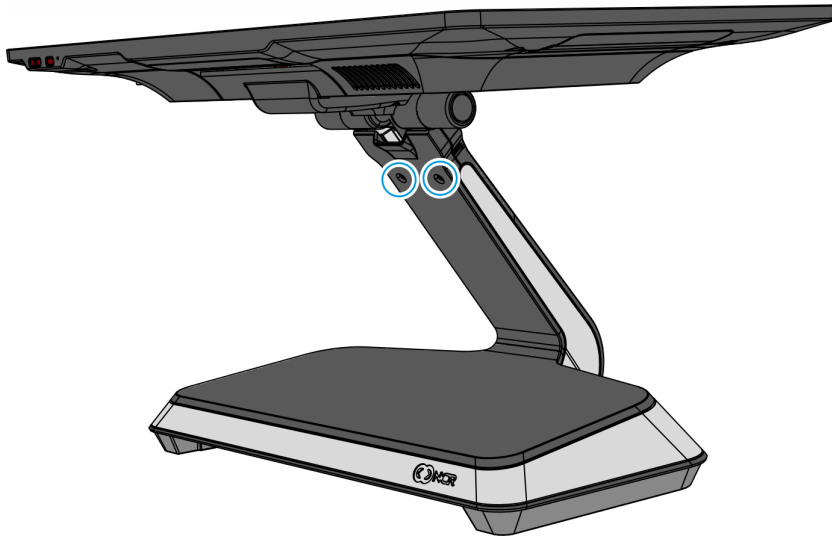
Confidential and proprietary information of NCR Voyix.
Use and disclose solely pursuant to company instructions.

Installation Procedure

Warning

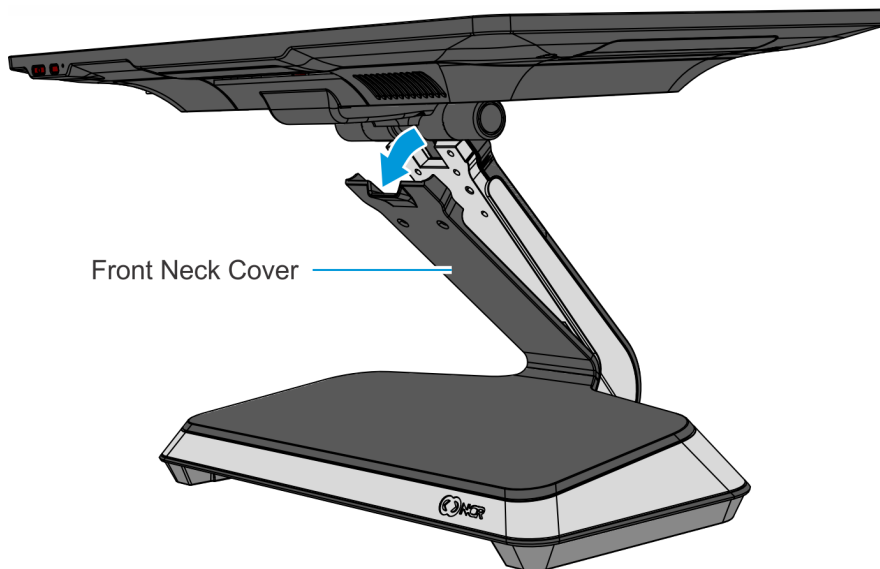
Disconnect the AC power cord from the AC outlet and wait 30 seconds before servicing the terminal.

1. Remove the two (2) screws that secure the Front Neck Cover to the Neck.
 - a. flat head screws for Base without Integrated Power Supply
 - b. thumbscrews for Base with Integrated Power Supply



CCP-76947

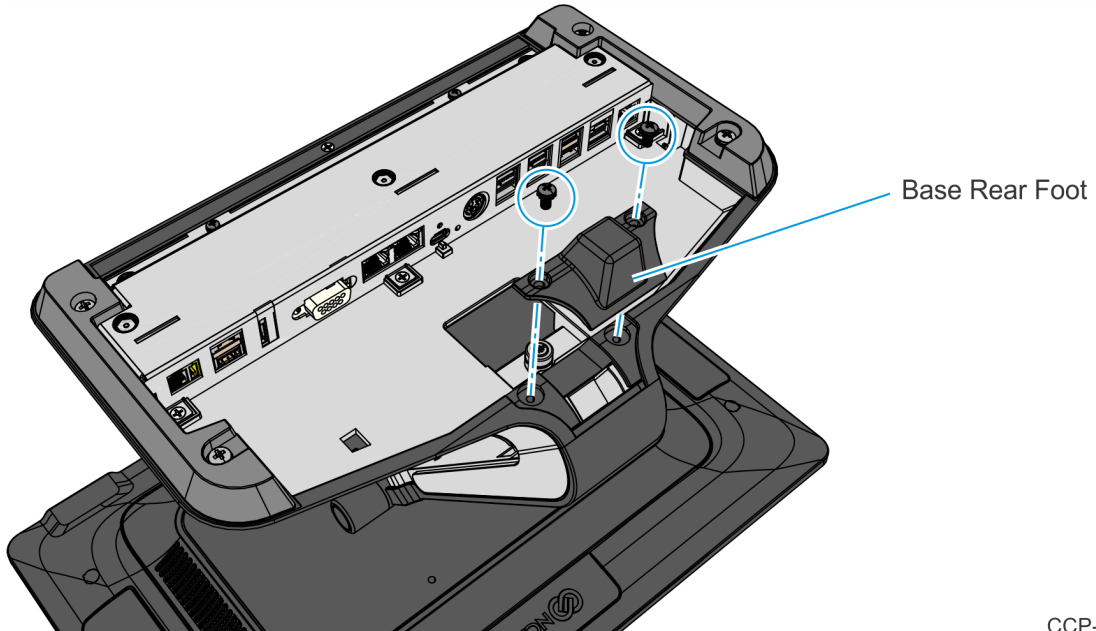
2. Pivot the Front Neck Cover away from the Neck.



CCP-76948

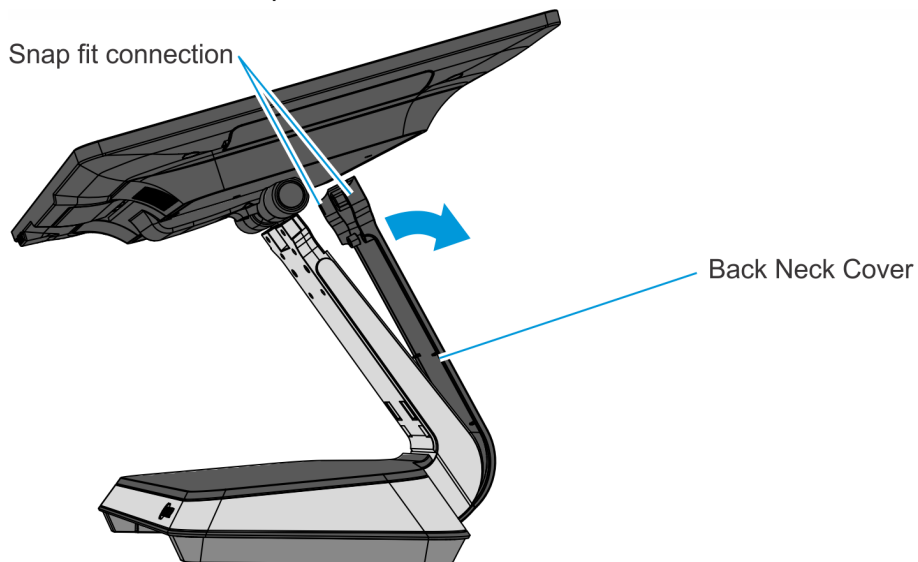
Confidential and proprietary information of NCR Voyix.
Use and disclose solely pursuant to company instructions.

3. Lay the Display face down on a flat surface.
Always use a soft material (cloth, foam) to protect the display screen when placing the terminal face down.
4. Remove the Base Rear Foot (2 screws).



CCP-76953

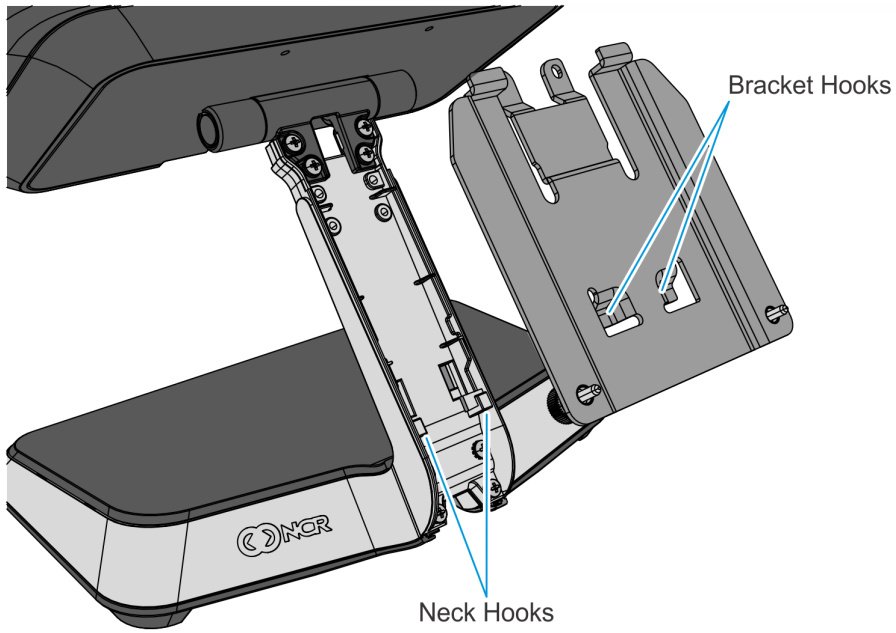
5. Pivot the Back Neck Cover away from the Neck. The Cover has a simple snap fit connection at the top.



CCP-76954

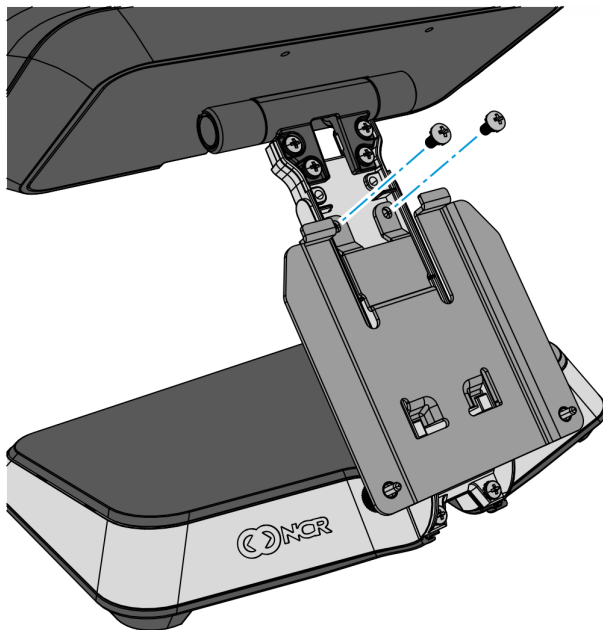
6. Install the XL15W Mounting Bracket on the Neck.

a. Insert the Bracket Hooks on the Neck.



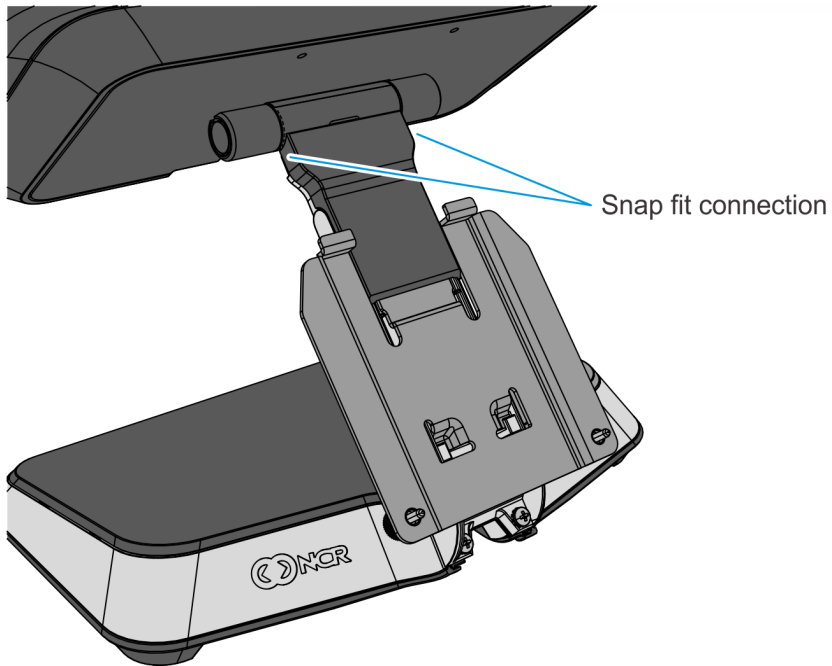
CCP-80902

b. Secure the Bracket to the Neck with two (2) screws.



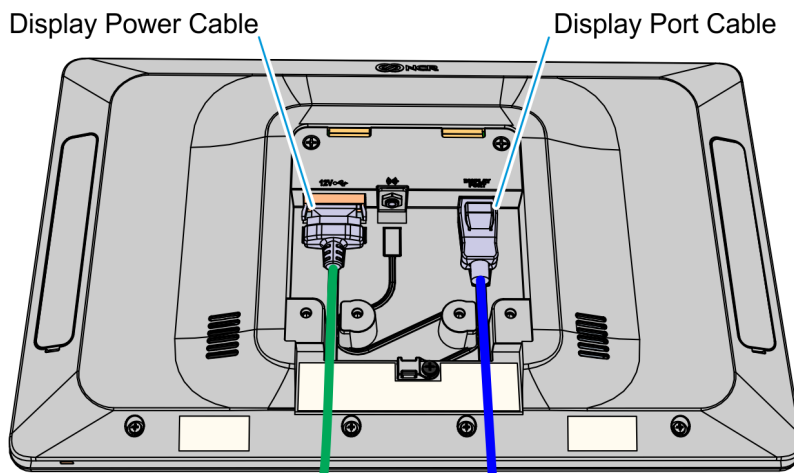
CCP-80903

7. Mount the new Back Neck Cover (included in the kit) on the Neck. The Cover has a simple snap fit connection at the top.



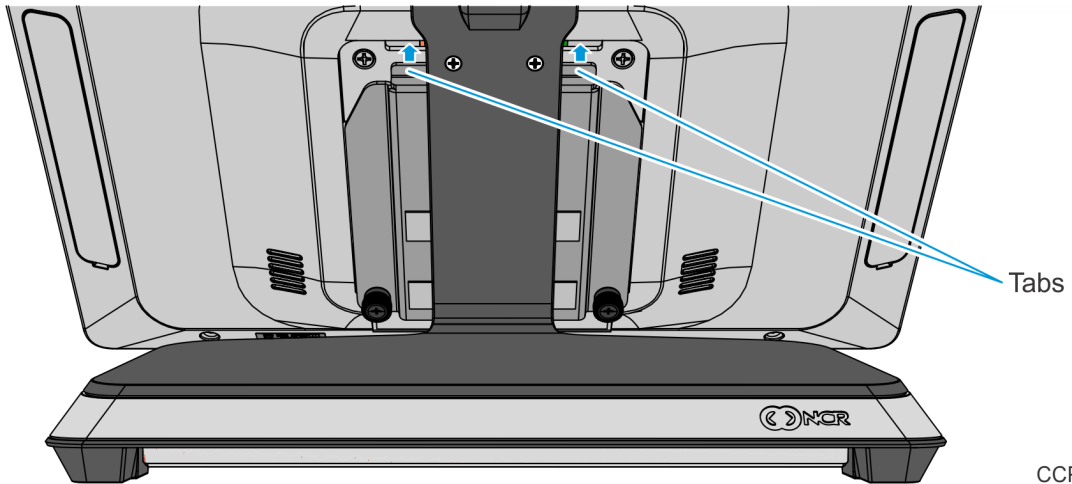
CCP-80904

8. Reinstall the Base Rear Foot.
9. Reinstall the Front Neck Cover.
10. Connect the XL15 / XL15W Display Power Cable and Display Port Cable and route them as shown.



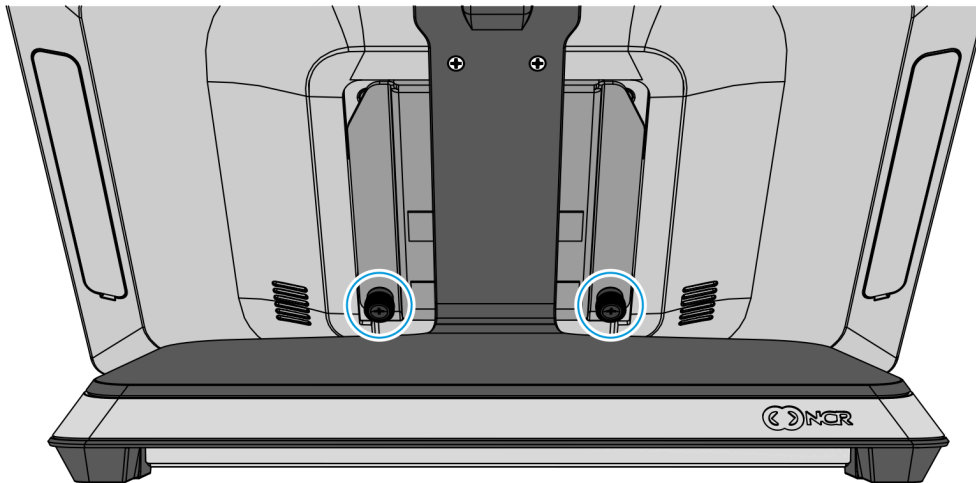
CCP-80918

11. Hook the XL15 / XL15W Display on the two (2) tabs of the Mounting Bracket.



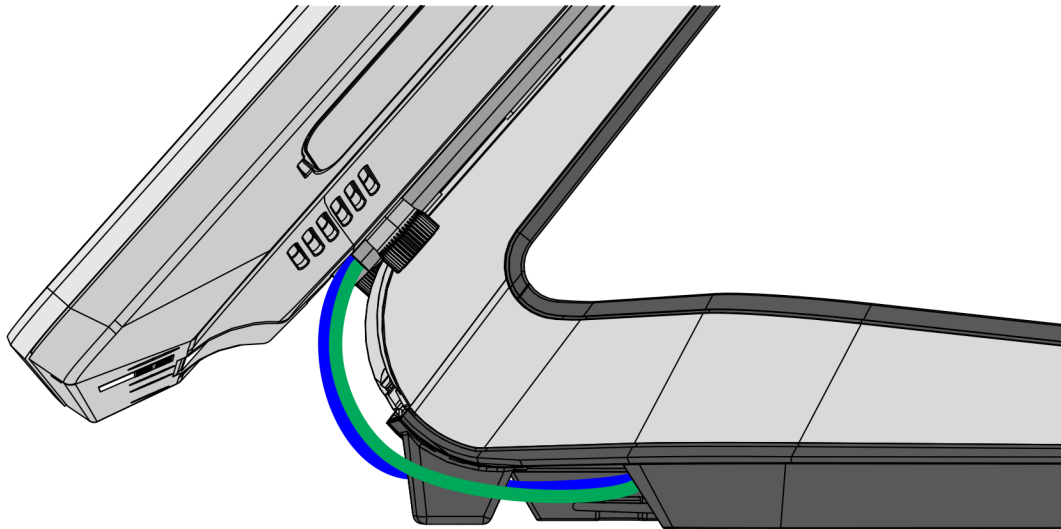
CCP-80905

12. Tighten the thumbscrews to secure the XL15 / XL15W Display.



CCP-80906

13. Connect the XL15 / XL15W Display Cables to the CX I/O Base.



CCP-80919