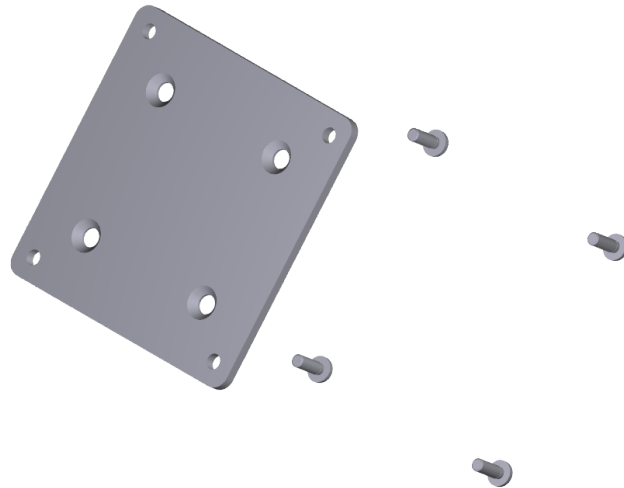




75mm Square VESA Adapter Plate, Innovative Kit Instructions



7772-K505

Issue A

Copyright

The product described in this document is a licensed product of NCR Voyix Corporation.

NCR CX7 All-in-One POS (7772) is a trademark of NCR Voyix Corporation in the United States and/or other countries. Other product names mentioned in this publication may be trademarks or registered trademarks of their respective companies and are hereby acknowledged.

Where creation of derivative works, modifications or copies of this NCR Voyix copyrighted documentation is permitted under the terms and conditions of an agreement you have with NCR Voyix, NCR Voyix's copyright notice must be included.

It is the policy of NCR Voyix Corporation to improve products as new technology, components, software, and firmware become available. NCR Voyix, therefore, reserves the right to change specifications without prior notice.

All features, functions, and operations described herein may not be marketed by NCR Voyix in all parts of the world. In some instances, photographs are of equipment prototypes. Therefore, before using this document, consult with your NCR Voyix representative or NCR Voyix office for information that is applicable and current.

Copyright © 2021–2024
By NCR Voyix Corporation
Atlanta, Georgia, USA
All Rights Reserved

Table of Contents

Copyright	2
75mm Square VESA Adapter Plate, Innovative	5
Kit Contents	5
Installation Procedure	5

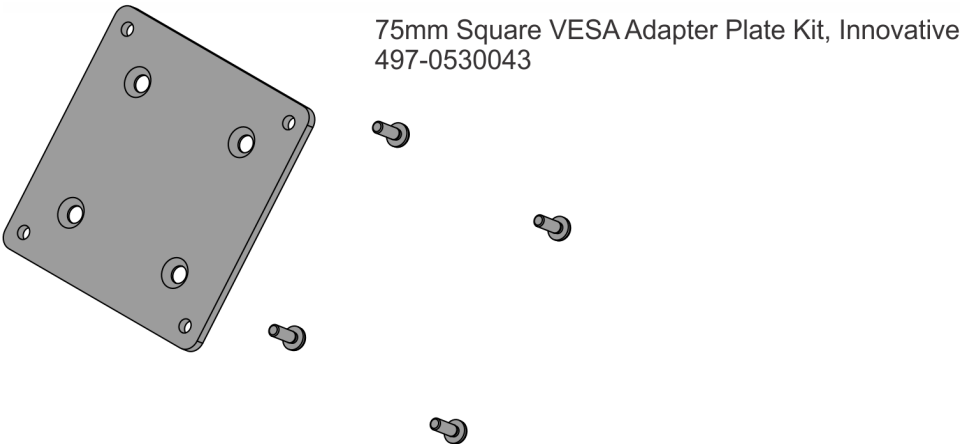
Revision Record

Issue	Date	Remarks
A	May 2021	First Issue

75mm Square VESA Adapter Plate, Innovative

This kit provides a 75 mm VESA Adapter Plate to mount the NCR CX7 All-in-One POS (7772) or NCR CX5 All-in-One POS (7773) on a third-party pole.

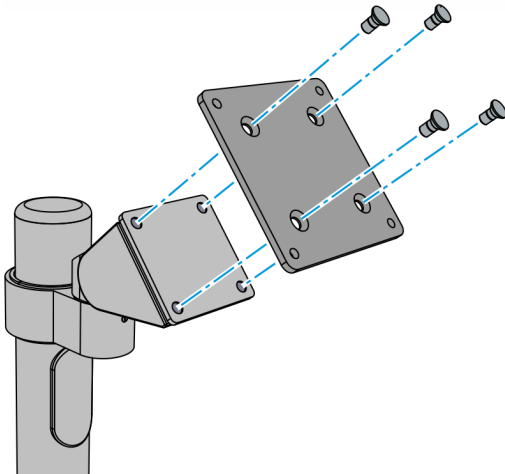
Kit Contents



CCP-79993

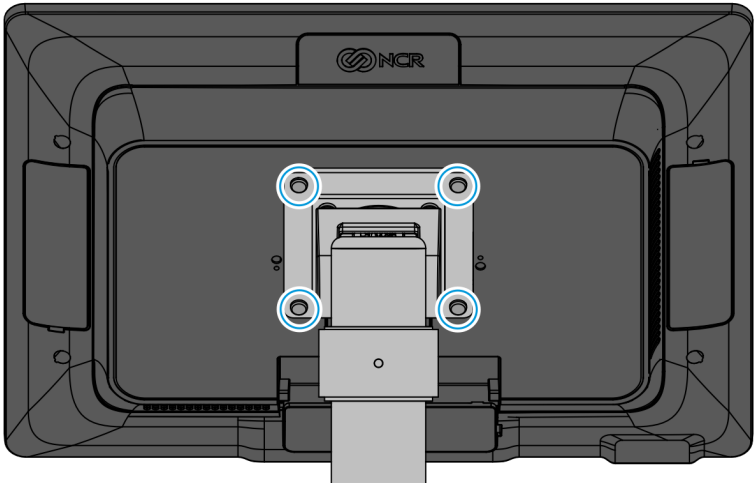
Installation Procedure

1. Install the VESA Adapter Plate on the Pole (4 screws).



CCP-79994

2. Install the VESA Plate on the back of the CX7 or CX5 (4 screws).



CCP-79989