



# 14" Bolt-Thru Mount Pole Kit (75mm VESA), Innovative Kit Instructions

---



7772-K504  
Issue A

# Copyright

---

The product described in this document is a licensed product of NCR Voyix Corporation.

NCR CX7 All-in-One POS (7772) is a trademark of NCR Voyix Corporation in the United States and/or other countries. Other product names mentioned in this publication may be trademarks or registered trademarks of their respective companies and are hereby acknowledged.

Where creation of derivative works, modifications or copies of this NCR Voyix copyrighted documentation is permitted under the terms and conditions of an agreement you have with NCR Voyix, NCR Voyix's copyright notice must be included.

It is the policy of NCR Voyix Corporation to improve products as new technology, components, software, and firmware become available. NCR Voyix, therefore, reserves the right to change specifications without prior notice.

All features, functions, and operations described herein may not be marketed by NCR Voyix in all parts of the world. In some instances, photographs are of equipment prototypes. Therefore, before using this document, consult with your NCR Voyix representative or NCR Voyix office for information that is applicable and current.

Copyright © 2021–2024  
By NCR Voyix Corporation  
Atlanta, Georgia, USA  
All Rights Reserved

# Table of Contents

---

---

<b>Copyright</b> .....	<b>2</b>
<b>14" Bolt-Thru Mount Pole Kit (75mm VESA), Innovative</b> .....	<b>5</b>
Kit Contents .....	5
Installation Procedure .....	6

# Revision Record

---

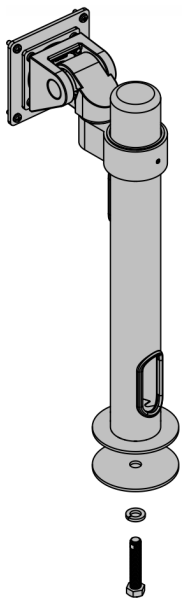
Issue	Date	Remarks
A	May 2021	First Issue

# 14" Bolt-Thru Mount Pole Kit (75mm VESA), Innovative

---

This kit provides a 14" Bolt-thru Mount Pole with 75 mm VESA Plate for the NCR CX7 All-in-One POS (7772) or NCR CX5 All-in-One POS (7773).

## Kit Contents

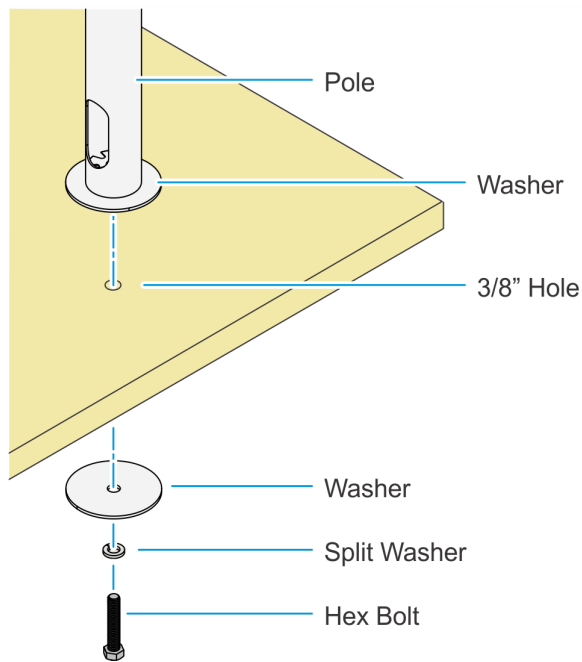


14" Bolt-Thru Mount Pole Kit (75mm VESA), Innovative  
497-0530042

CCP-80900

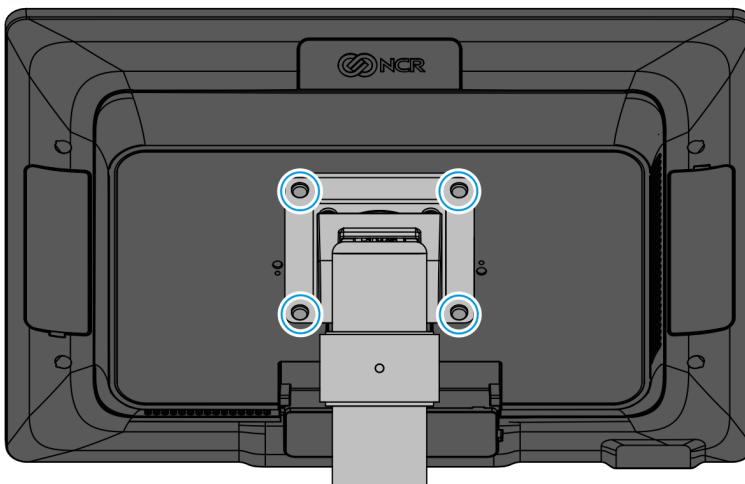
# Installation Procedure

1. Install the Pole on the table top.
  - a. Drill a 3/8" hole through the tabletop.
  - b. Secure the Pole on the tabletop using the Washer (2), Split Washer, and Hex Bolt.



CCP-76542

2. Install the VESA Plate on the back of the CX7 or CX5 (4 screws).



CCP-79989

3. Route the Cable(s) through the Pole.

Confidential and proprietary information of NCR Voyix.  
Use and disclose solely pursuant to company instructions.