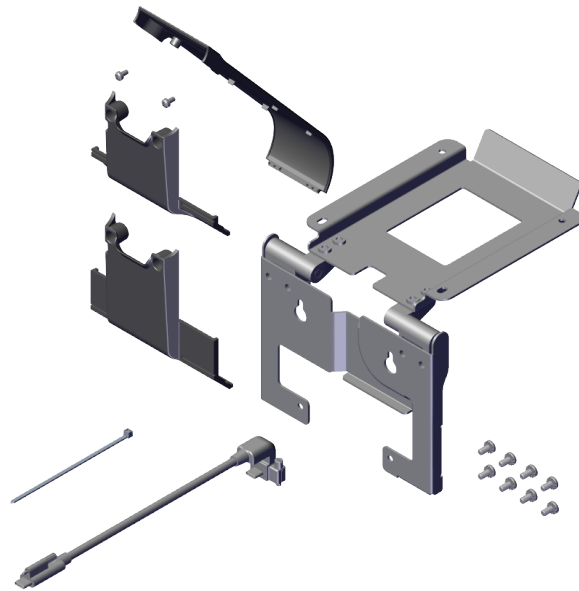




High Mount XL10 Customer Display Bracket, CX

Kit Instructions



7772-K475

Issue B

Copyright

The product described in this document is a licensed product of NCR Voyix Corporation.

NCR CX7 All-in-One POS (7772) is a trademark of NCR Voyix Corporation in the United States and/or other countries. Other product names mentioned in this publication may be trademarks or registered trademarks of their respective companies and are hereby acknowledged.

Where creation of derivative works, modifications or copies of this NCR Voyix copyrighted documentation is permitted under the terms and conditions of an agreement you have with NCR Voyix, NCR Voyix's copyright notice must be included.

It is the policy of NCR Voyix Corporation to improve products as new technology, components, software, and firmware become available. NCR Voyix, therefore, reserves the right to change specifications without prior notice.

All features, functions, and operations described herein may not be marketed by NCR Voyix in all parts of the world. In some instances, photographs are of equipment prototypes. Therefore, before using this document, consult with your NCR Voyix representative or NCR Voyix office for information that is applicable and current.

Copyright © 2021–2024
By NCR Voyix Corporation
Atlanta, Georgia, USA
All Rights Reserved

Table of Contents

Copyright	2
High Mount XL10 Customer Display Bracket, CX	5
Kit Contents	5
Installation Procedure	6
Installing the Back Neck Cover	12

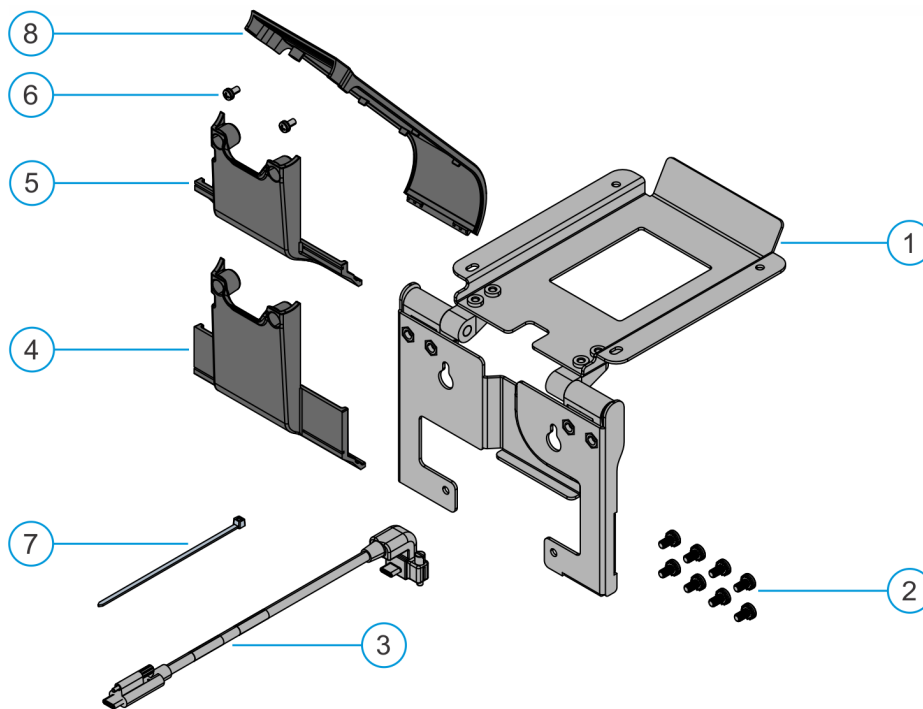
Revision Record

Issue	Date	Remarks
A	Dec 2021	First Issue
B	Aug 2023	Added 497-0523787

High Mount XL10 Customer Display Bracket, CX

This kit provides a Bracket to Mount the XL10 Customer Display on the CX head.

Kit Contents



CCP-81583

Item	Part Number	Description
1	497-0531229	Bracket Assembly, XL10 Display, High Mount, CX
2	006-8627600	Screw, M4x8, Phillips, Cross Recessed Pan Head Machine Screw with External Tooth Lock Washer, Black, Zinc
3	497-0529413	Cable, USBC, 10" Customer Display, 506mm
4	497-0531570	Cable Cover, Cast, Black
5	497-0531574	4:3 Cable Cover, Cast

Confidential and proprietary information of NCR Voyix.
Use and disclose solely pursuant to company instructions.

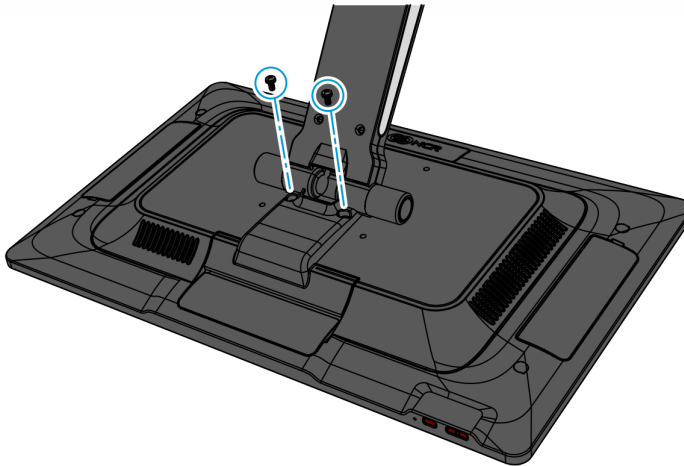
Item	Part Number	Description
6	497-0480152	Screw, M3x6mm, Machine, Phillips, Pan Head
7	006-8616073	Cable Tie, 2.5mm width, 100mm length
8	497-0523787	Neck, Outer, Black (Back Neck Cover)

Installation Procedure

Warning

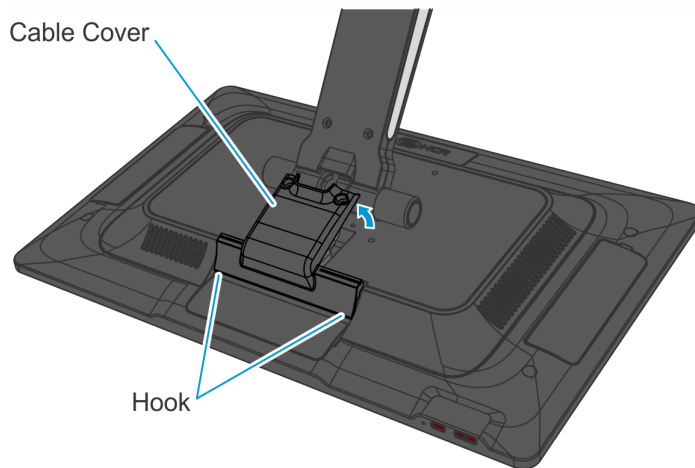
Disconnect the AC power cord from the AC outlet and wait 30 seconds before servicing the terminal.

1. Lay the Display face down on a flat surface.
Always use a soft material (cloth, foam) to protect the display screen when placing the terminal face down.
2. Remove the Cable Cover.
 - a. Remove the two (2) screws that secure the Cable Cover to the Back Cover.



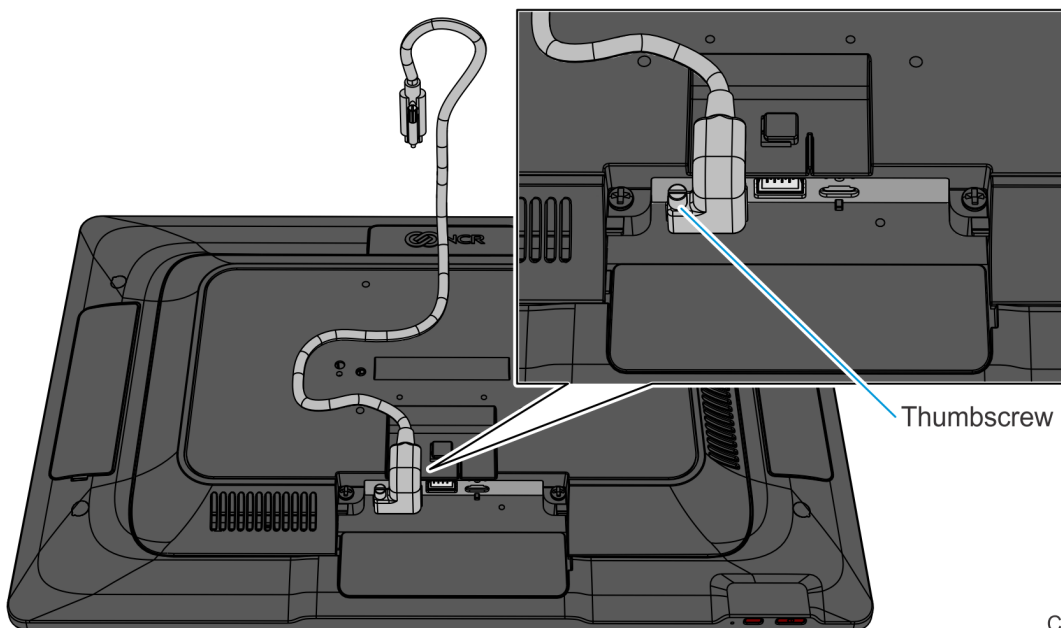
CCP-77013

- b. Rotate and unhook the Cable Cover from the Back Cover.



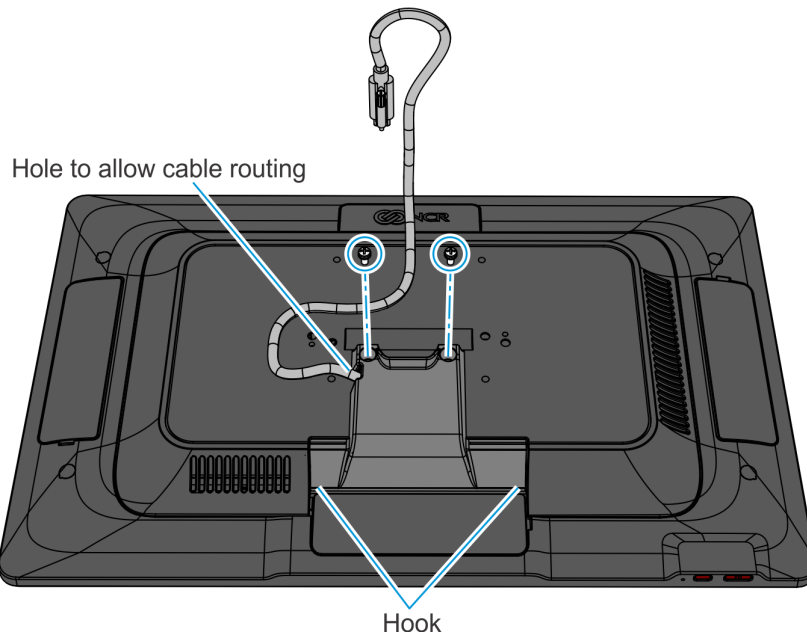
CCP-77014

3. Connect the USB-C Cable to the CX7 Display and tighten the thumbscrew.
For clarity, the Neck is not shown in the illustration below and in the succeeding illustrations.



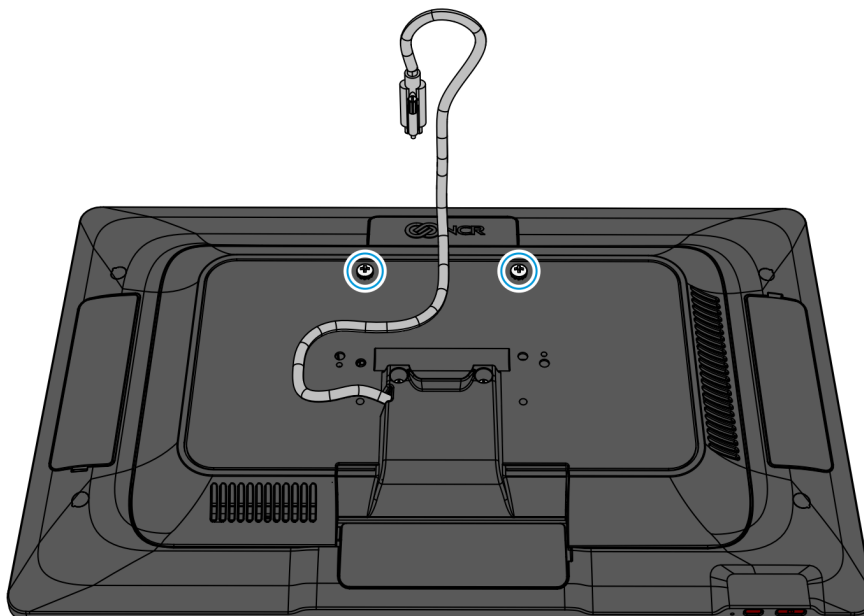
CCP-81576

4. Install the new Cable Cover. The new Cable Cover has a hole on the side to allow cable routing.
 - a. Hook the bottom of the Cable Cover to the Back Cover, then rotate the Cable Cover into place.
 - b. Secure the Cable Cover with two (2) screws.



CCP-81577

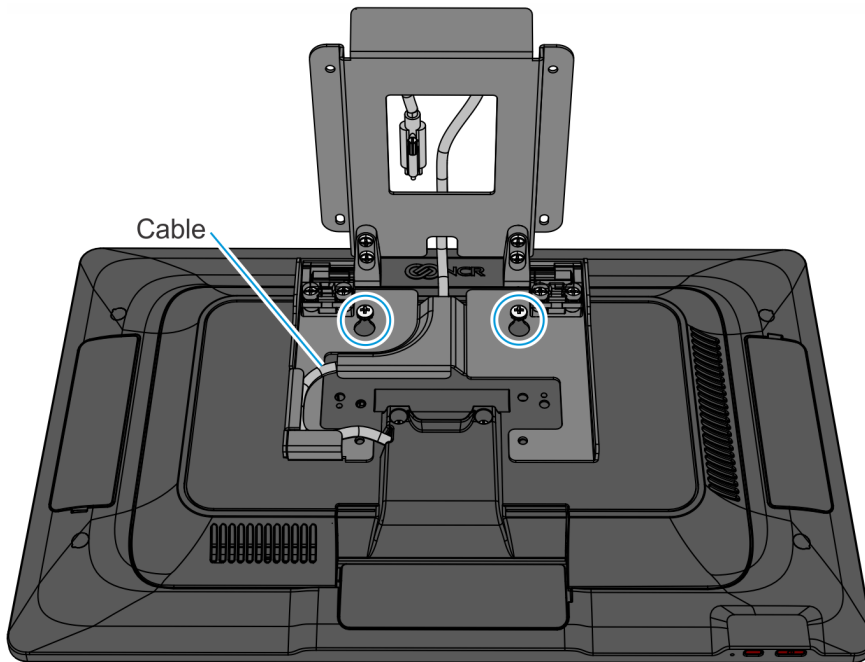
5. Partially install two (2) screws on the back of the CX7 Display in the location shown.



CCP-81578

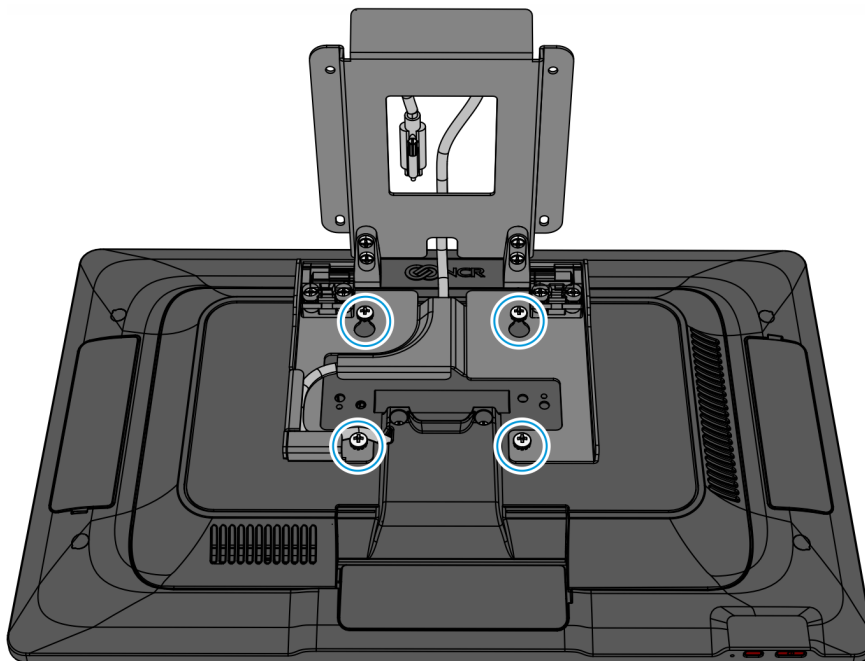
Confidential and proprietary information of NCR Voyix.
Use and disclose solely pursuant to company instructions.

6. Hook the Bracket on the partially installed screws. Ensure the Cable is routed as shown.



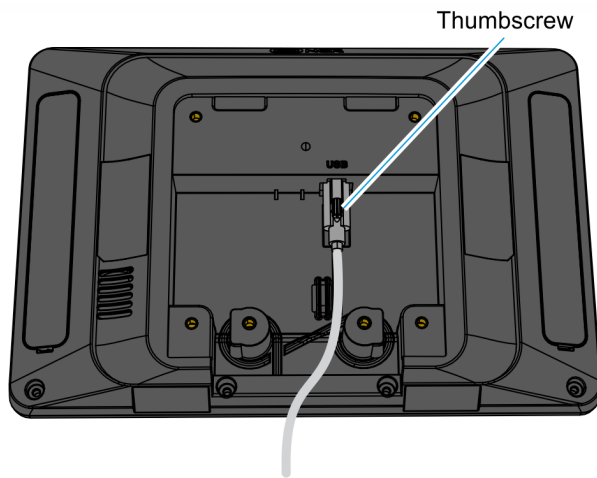
CCP-81579

7. Tighten the two (2) partially installed screws and install two (2) screws on the bottom of the Bracket.



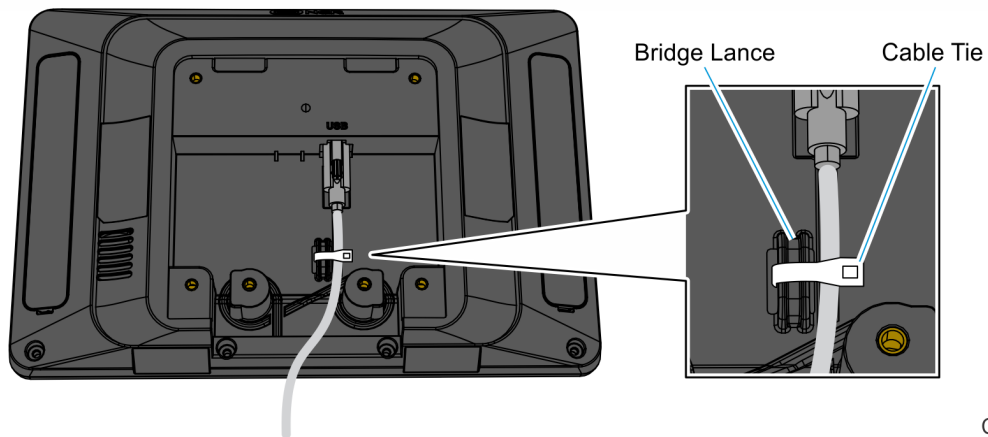
CCP-81580

8. Connect the other end of the Cable to the back of the XL10 Customer Display and tighten the thumbscrew.



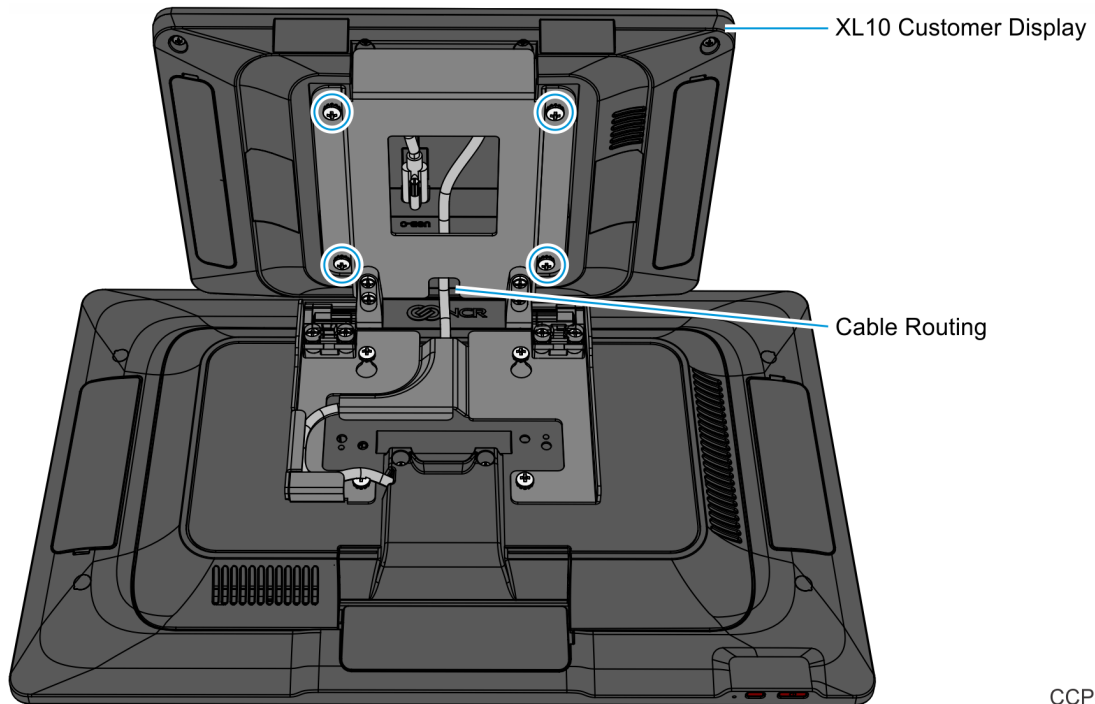
CCP-81581

9. Secure the Cable on the side of the bridge lance using a cable tie as shown.



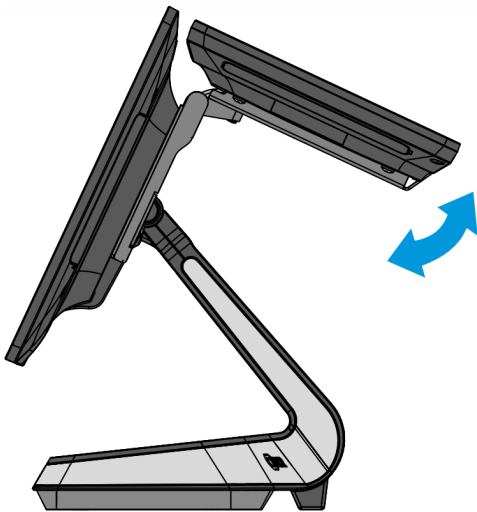
CCP-82106

10. Install the XL10 Customer Display on the Bracket (4 screws). Ensure the Cable is routed through the gap in the Bracket as shown.



CCP-81582

11. Pivot the XL10 Customer Display into position.



CCP-81584

Installing the Back Neck Cover

The kit includes a Back Neck Cover (497-0523787). The Back Neck Cover is required when converting from XL10 Base Display (F455/K455) to XL10 High Mount (K475).

Note

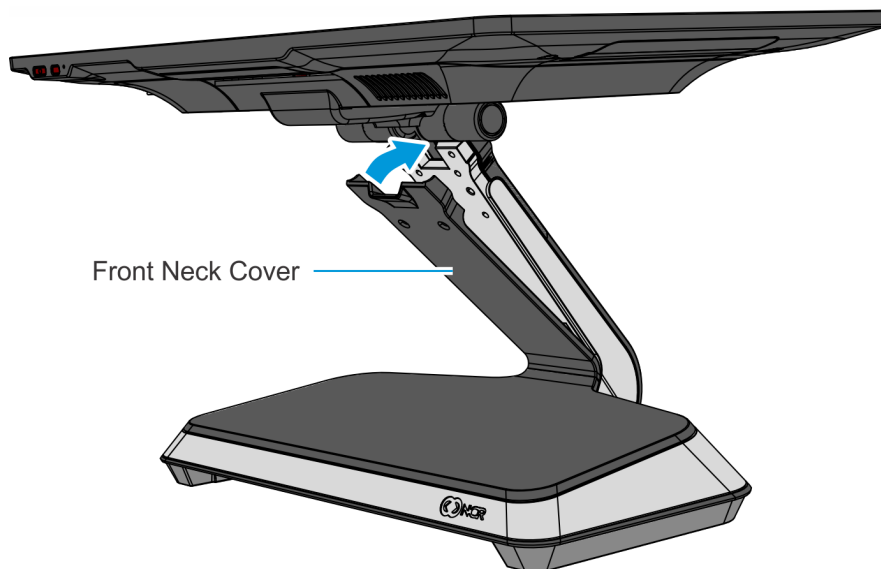
For clarity, the XL10 mounted on the CX head is not shown in the succeeding illustrations.

1. Snap the Back Neck Cover onto the neck. The Cover has a simple snap fit connection at the top.
2. Install the Base Rear Foot (2 screws). Ensure the Neck Cover is captured under the Base Rear Foot.

Note

The Base Rear Foot serves to manage the cables and hold the bottom of the Neck Cover in place.

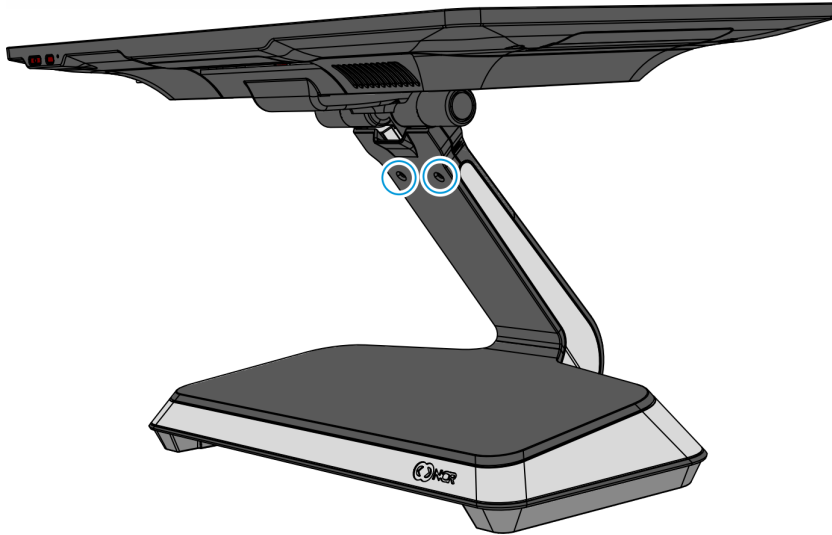
3. Attach the Front Neck Cover to the Neck.



CCP-76949

4. Secure the Front Neck Cover to the Neck with two (2) screws. Use the appropriate screws:

- flat head screws for Base without Integrated Power Supply
- thumbscrews for Base with Integrated Power Supply



CCP-76947