



CX Neck, Outer, Black

Kit Instructions



7772-K456

Issue A

Copyright

The product described in this document is a licensed product of NCR Voyix Corporation.

NCR CX7 All-in-One POS (7772) is a trademark of NCR Voyix Corporation in the United States and/or other countries. Other product names mentioned in this publication may be trademarks or registered trademarks of their respective companies and are hereby acknowledged.

Where creation of derivative works, modifications or copies of this NCR Voyix copyrighted documentation is permitted under the terms and conditions of an agreement you have with NCR Voyix, NCR Voyix's copyright notice must be included.

It is the policy of NCR Voyix Corporation to improve products as new technology, components, software, and firmware become available. NCR Voyix, therefore, reserves the right to change specifications without prior notice.

All features, functions, and operations described herein may not be marketed by NCR Voyix in all parts of the world. In some instances, photographs are of equipment prototypes. Therefore, before using this document, consult with your NCR Voyix representative or NCR Voyix office for information that is applicable and current.

Copyright © 2023–2024
By NCR Voyix Corporation
Atlanta, Georgia, USA
All Rights Reserved

Table of Contents

Copyright	2
CX Neck, Outer, Black	5
Kit Contents	5
Installation Procedure	6

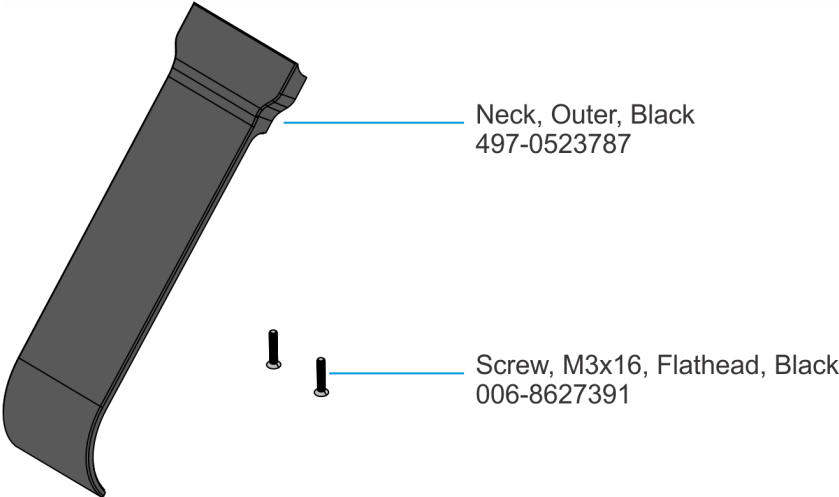
Revision Record

Issue	Date	Remarks
A	Oct 2023	First Issue

CX Neck, Outer, Black

This kit provides a black Outer or Back Neck Cover for the NCR CX7 All-in-One POS (7772) or NCR CX5 All-in-One POS (7773).

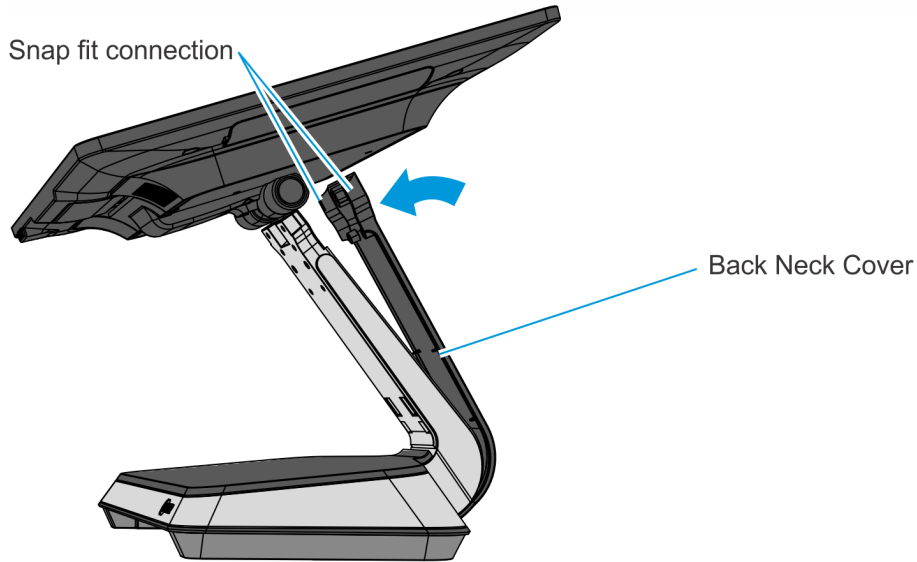
Kit Contents



CCP-84049

Installation Procedure

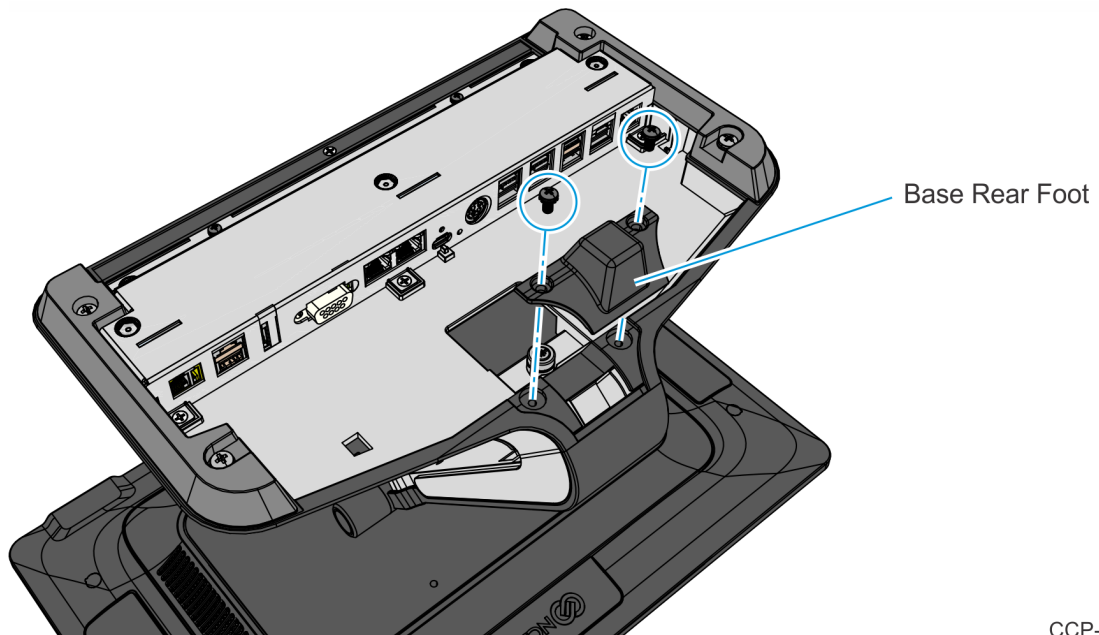
1. Snap the Back Neck Cover onto the neck. The Cover has a simple snap fit connection at the top.



CCP-76955

2. Install the Base Rear Foot (2 screws). Ensure the Neck Cover is captured under the Base Rear Foot.

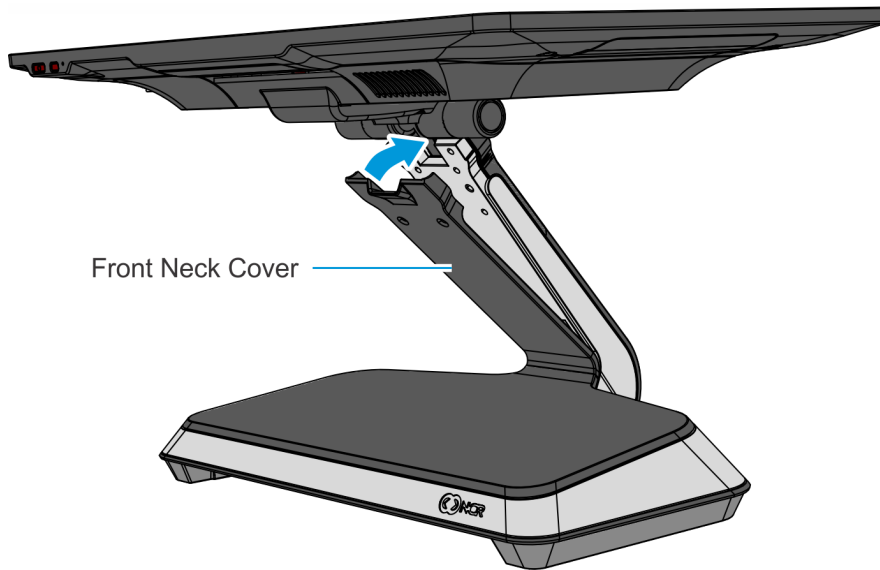
The Base Rear Foot serves to manage the cables and hold the bottom of the Neck Cover in place.



CCP-76953

Confidential and proprietary information of NCR Voyix.
Use and disclose solely pursuant to company instructions.

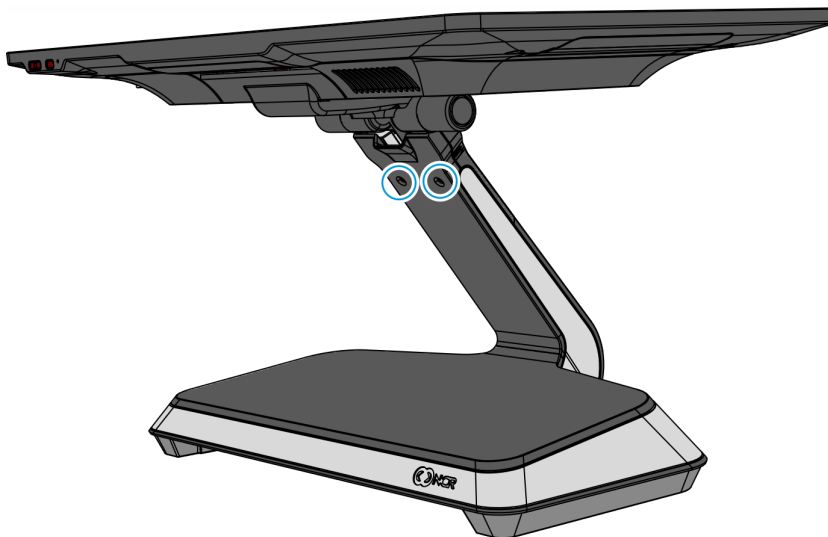
3. Attach the Front Neck Cover to the Neck.



CCP-76949

4. Secure the Front Neck Cover to the Neck with two (2) screws. Use the appropriate screws:

- flat head screws for Base without Integrated Power Supply
- thumbscrews for Base with Integrated Power Supply



CCP-76947