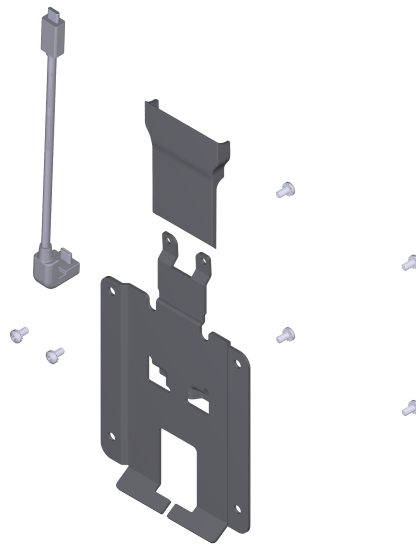




# XL10 Mounting Bracket with Cable

## Kit Instructions

---



7772-K455

Issue C

# Copyright

---

The product described in this document is a licensed product of NCR Voyix Corporation.

NCR CX7 All-in-One POS (7772) is a trademark of NCR Voyix Corporation in the United States and/or other countries. Other product names mentioned in this publication may be trademarks or registered trademarks of their respective companies and are hereby acknowledged.

Where creation of derivative works, modifications or copies of this NCR Voyix copyrighted documentation is permitted under the terms and conditions of an agreement you have with NCR Voyix, NCR Voyix's copyright notice must be included.

It is the policy of NCR Voyix Corporation to improve products as new technology, components, software, and firmware become available. NCR Voyix, therefore, reserves the right to change specifications without prior notice.

All features, functions, and operations described herein may not be marketed by NCR Voyix in all parts of the world. In some instances, photographs are of equipment prototypes. Therefore, before using this document, consult with your NCR Voyix representative or NCR Voyix office for information that is applicable and current.

Copyright © 2020–2024  
By NCR Voyix Corporation  
Atlanta, Georgia, USA  
All Rights Reserved

# Table of Contents

---

<b>Copyright</b> .....	<b>2</b>
<b>XL10 Mounting Bracket with Cable</b> .....	<b>5</b>
Kit Contents .....	5
Installation Procedure .....	6

# Revision Record

---

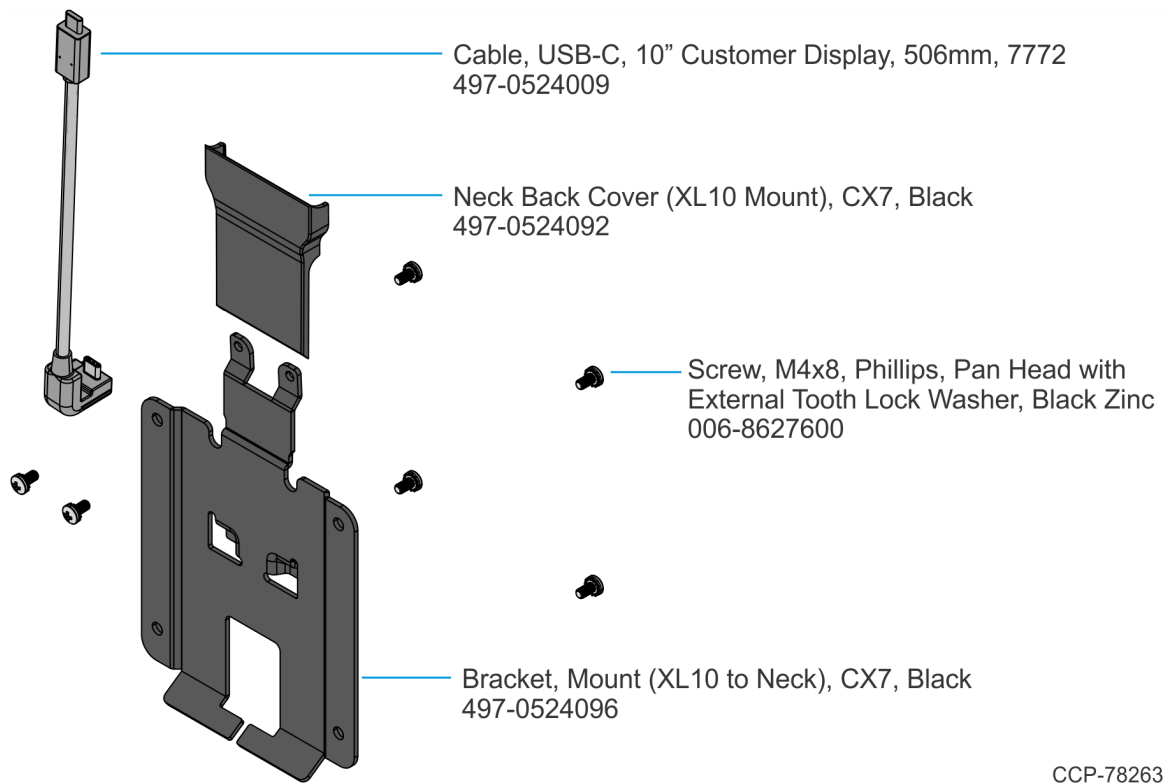
Issue	Date	Remarks
A	Jun 2020	First Issue
B	Aug 2020	Updated XL10 cable routing
C	Dec 2021	Added Warning statement

# XL10 Mounting Bracket with Cable

---

This kit provides a mounting bracket and cable to install the XL10 Customer Display on the neck of the NCR CX7 All-in-One POS (7772).

## Kit Contents



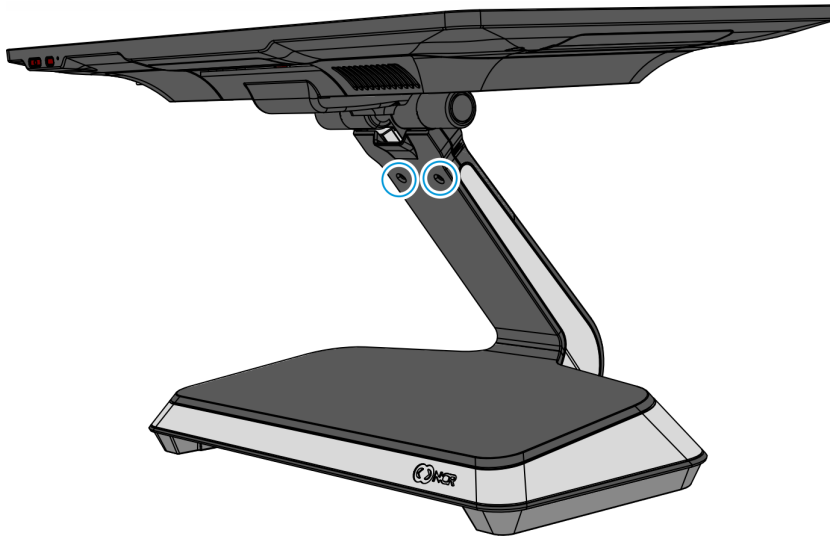
CCP-78263

# Installation Procedure

## Warning

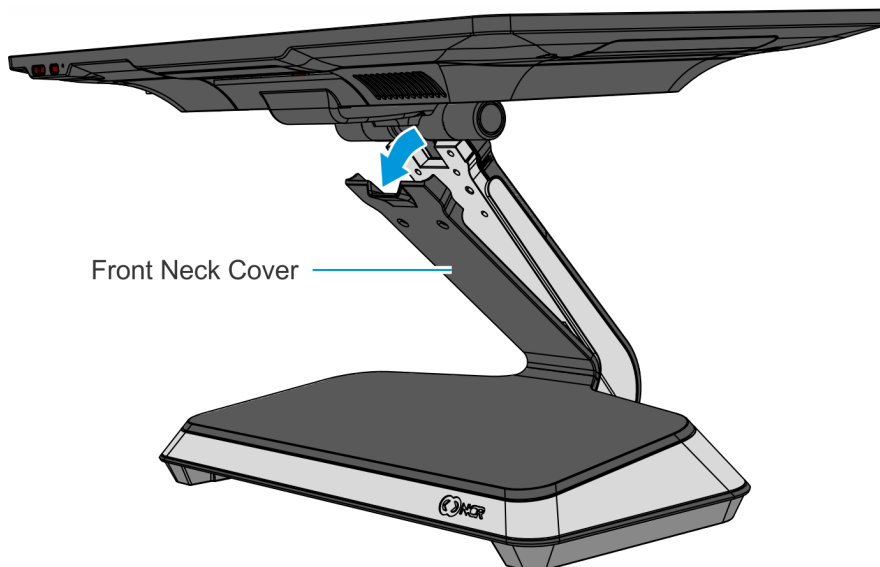
Disconnect the AC power cord from the AC outlet and wait 30 seconds before servicing the terminal.

1. Remove the two (2) screws that secure the Front Neck Cover to the Neck.
  - a. flat head screws for Base without Integrated Power Supply
  - b. thumbscrews for Base with Integrated Power Supply



CCP-76947

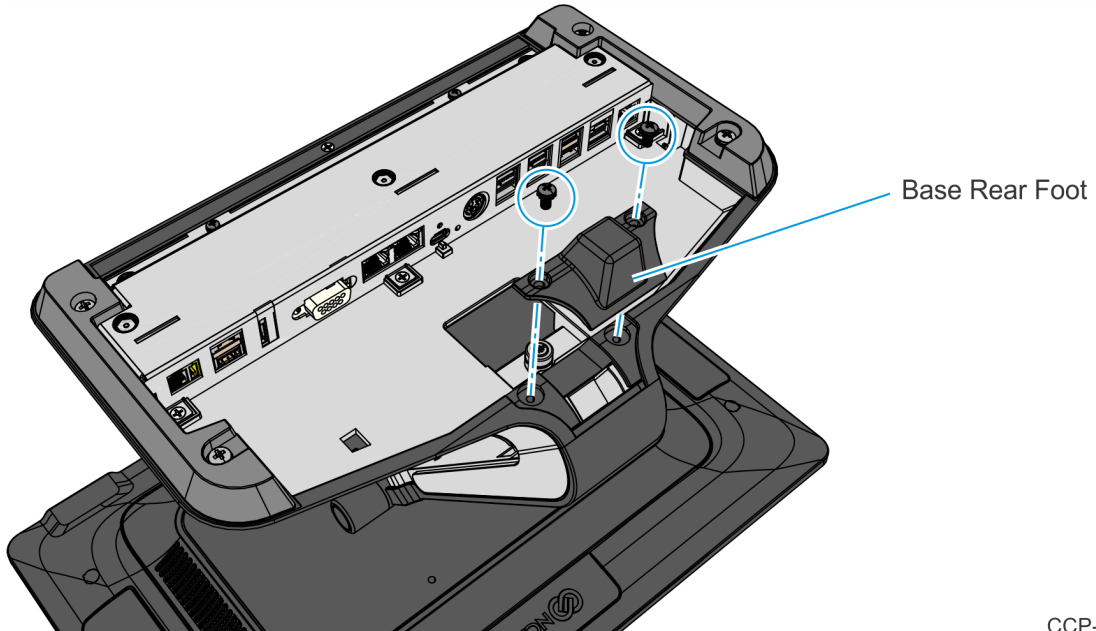
2. Pivot the Front Neck Cover away from the Neck.



CCP-76948

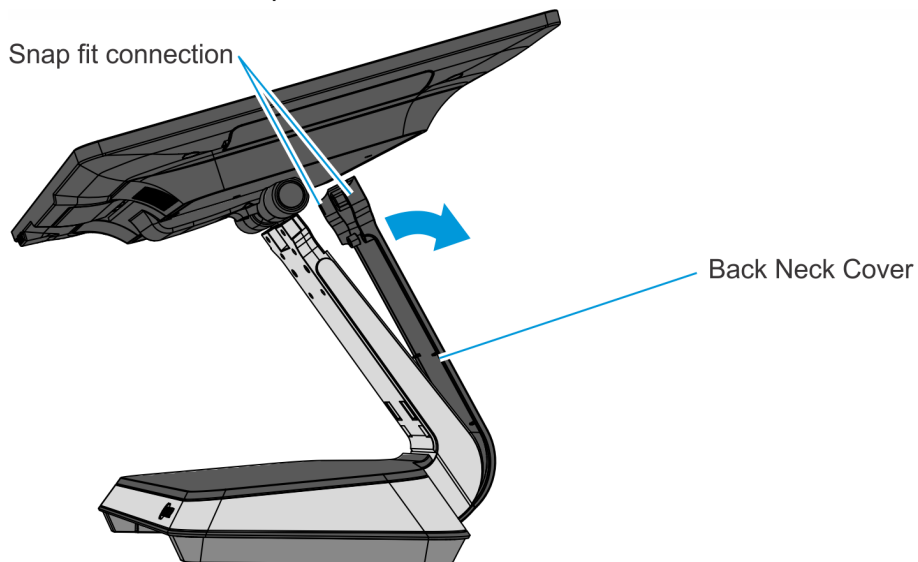
Confidential and proprietary information of NCR Voyix.  
Use and disclose solely pursuant to company instructions.

3. Lay the Display face down on a flat surface.  
Always use a soft material (cloth, foam) to protect the display screen when placing the terminal face down.
4. Remove the Base Rear Foot (2 screws).



CCP-76953

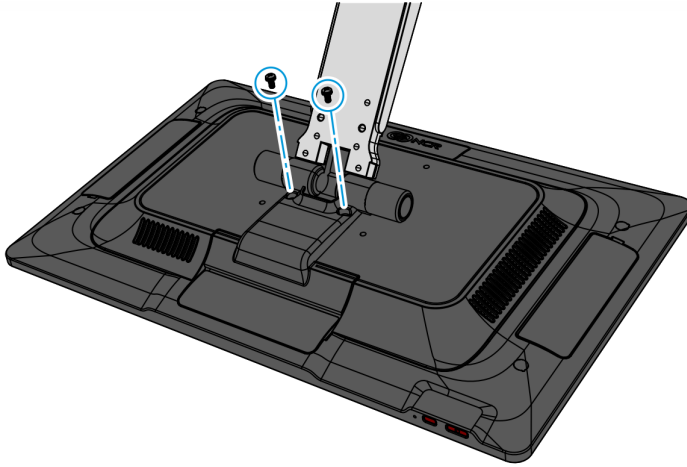
5. Pivot the Back Neck Cover away from the Neck. The Cover has a simple snap fit connection at the top.



CCP-76954

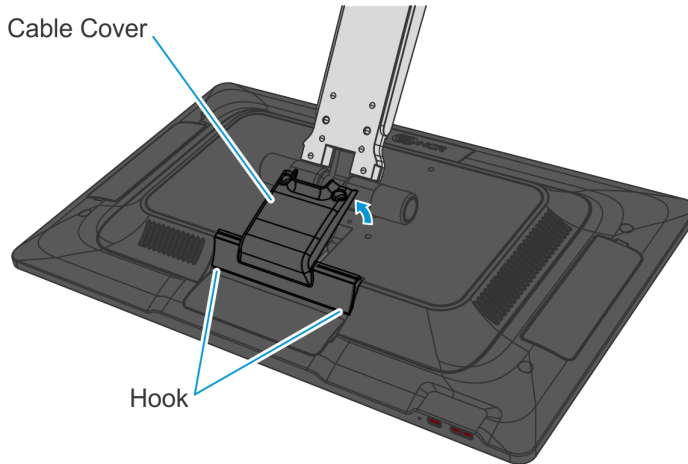
6. Remove the Cable Cover.

- a. Remove the two (2) screws that secure the Cable Cover to the Back Cover.



CCP-78295

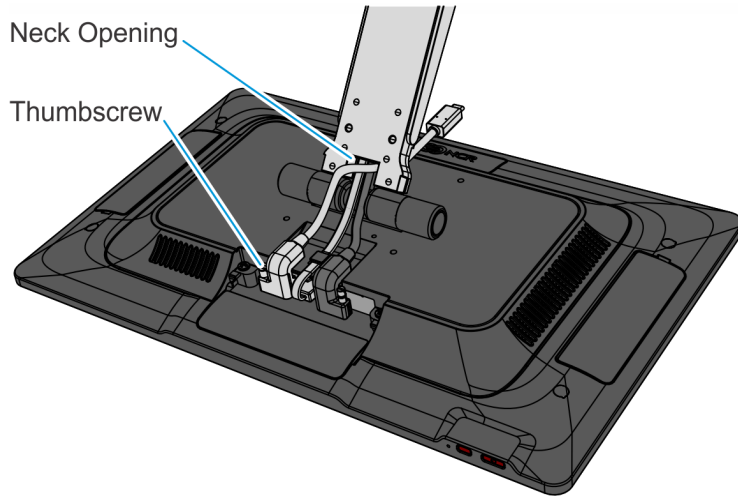
- b. Rotate and unhook the Cable Cover from the Back Cover.



CCP-78296

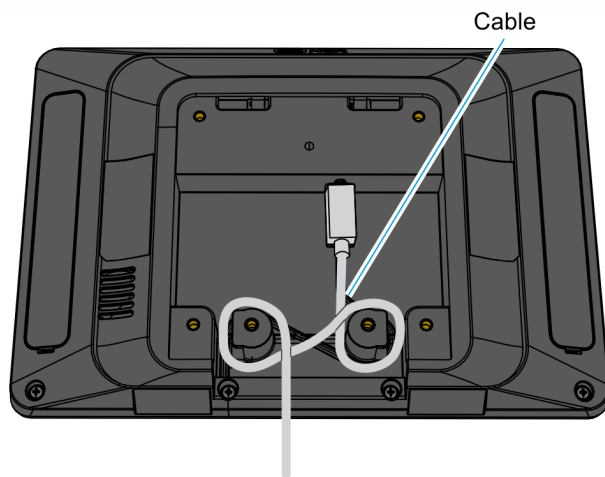


7. Route the USB-C Cable through the Neck opening, then connect the USB-C Cable on the CX7 Display and tighten the thumbscrew.



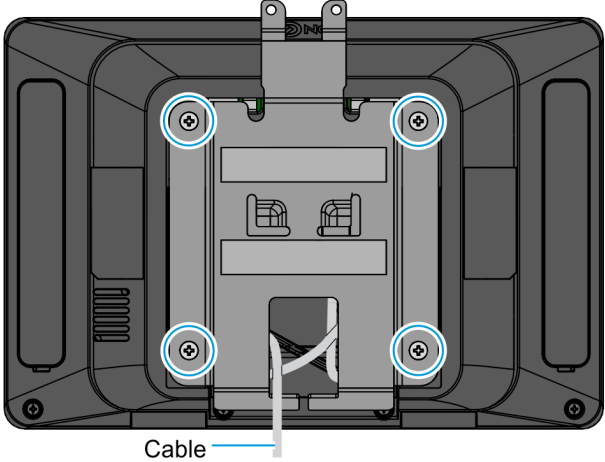
CCP-78267

8. Connect the other end of the Cable to the back of the XL10 Display and route the Cable around the cable strain relief posts as shown.



CCP-79548

9. Route the Cable through the Bracket as shown and install the Bracket on the back of the XL10 Display (4 screws).

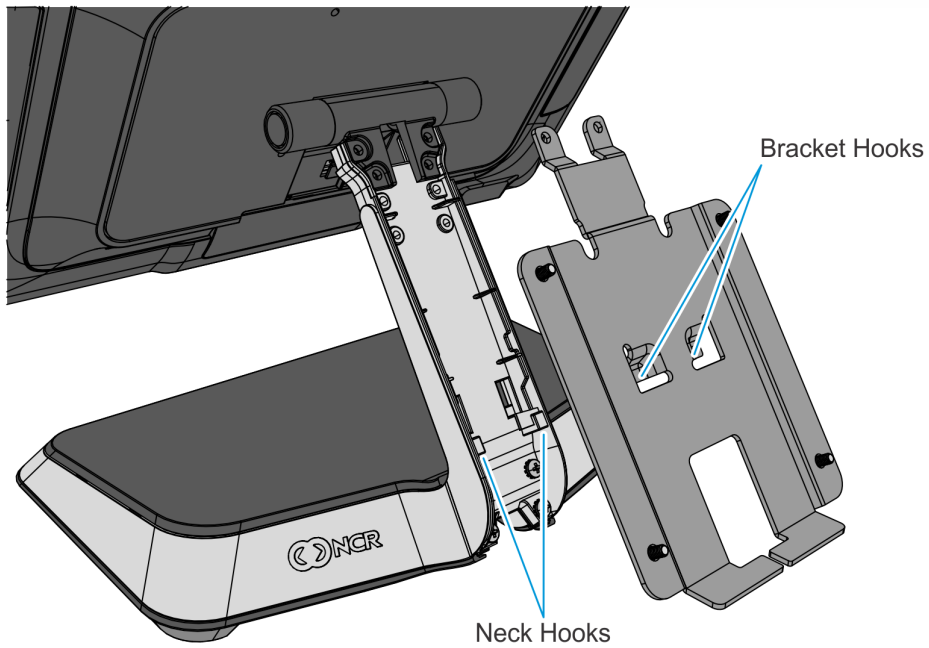


CCP-79556

10. Install the XL10 Display and Bracket assembly on the Neck.

a. Insert the Bracket Hooks on the Neck.

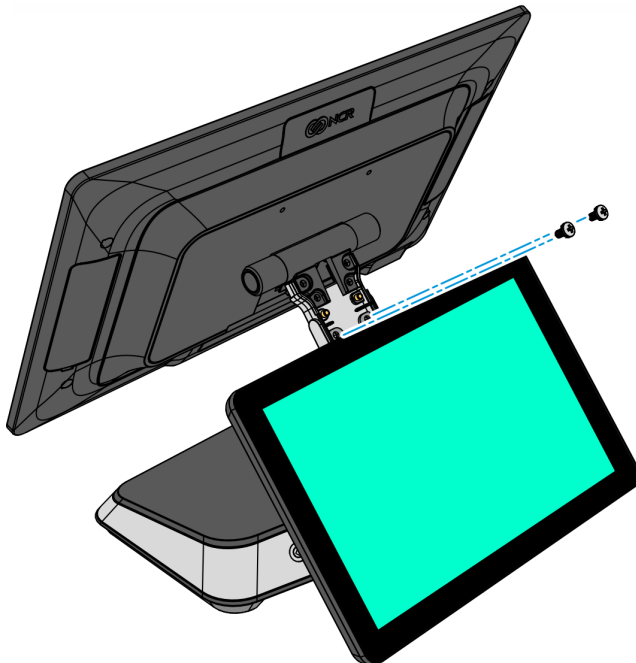
For clarity, the XL10 Display is not shown in the illustration.



CCP-78269

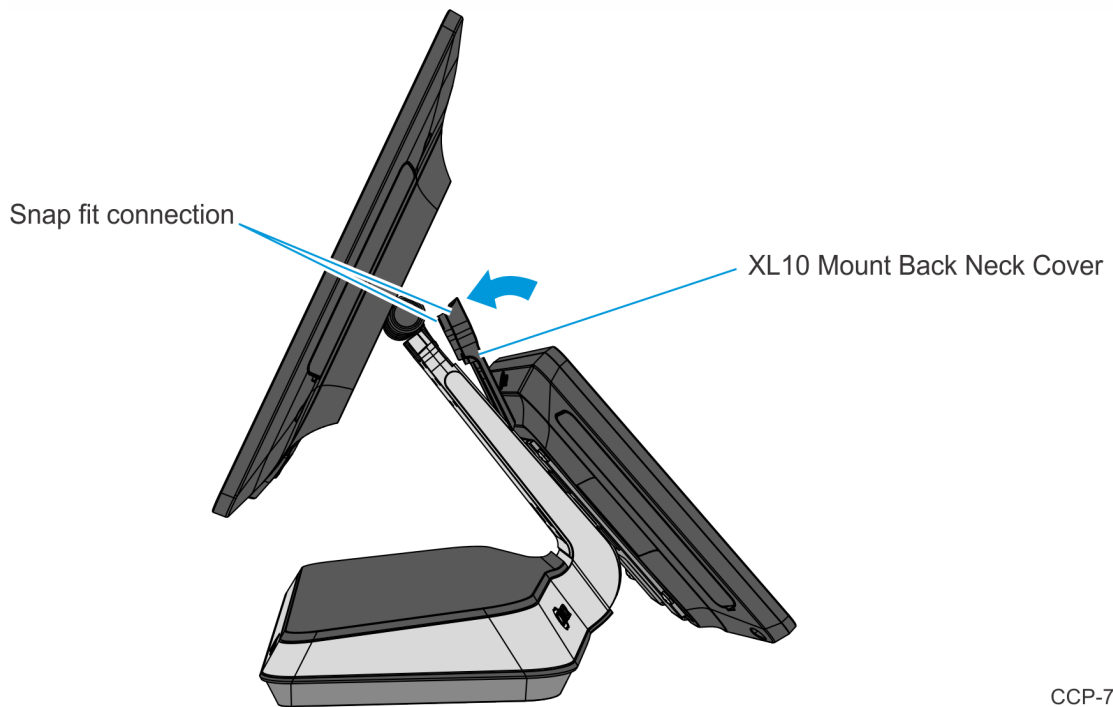
b. Secure the Bracket to the Neck with two (2) screws.

Ensure no cables are pinched.



CCP-78270

11. Mount the XL10 Mount Back Neck Cover on the Neck. The Cover has a simple snap fit connection at the top.



CCP-78271

12. Reinstall the Base Rear Foot.
13. Reinstall the Cable Cover.
14. Reinstall the Front Neck Cover.