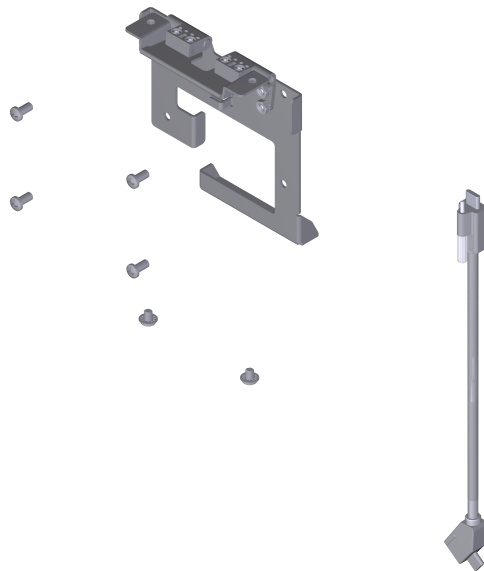




XL7 Hinge Mount w/ USB-C Cable

Kit Instructions



7772-K452

Issue B

Copyright

The product described in this document is a licensed product of NCR Voyix Corporation.

NCR CX7 All-in-One POS (7772) is a trademark of NCR Voyix Corporation in the United States and/or other countries. Other product names mentioned in this publication may be trademarks or registered trademarks of their respective companies and are hereby acknowledged.

Where creation of derivative works, modifications or copies of this NCR Voyix copyrighted documentation is permitted under the terms and conditions of an agreement you have with NCR Voyix, NCR Voyix's copyright notice must be included.

It is the policy of NCR Voyix Corporation to improve products as new technology, components, software, and firmware become available. NCR Voyix, therefore, reserves the right to change specifications without prior notice.

All features, functions, and operations described herein may not be marketed by NCR Voyix in all parts of the world. In some instances, photographs are of equipment prototypes. Therefore, before using this document, consult with your NCR Voyix representative or NCR Voyix office for information that is applicable and current.

Copyright © 2020–2024
By NCR Voyix Corporation
Atlanta, Georgia, USA
All Rights Reserved

Table of Contents

Copyright	2
XL7 Hinge Mount w/ USB-C Cable	5
Kit Contents	5
Installation Procedure	6

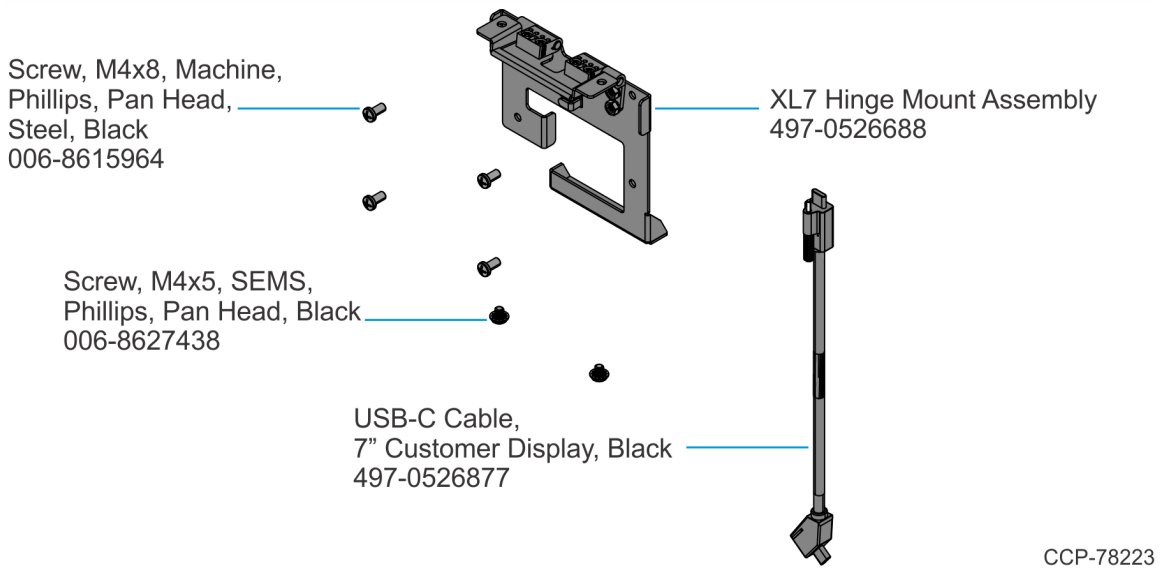
Revision Record

Issue	Date	Remarks
A	Jun 2020	First Issue
B	Dec 2021	Added Warning statement

XL7 Hinge Mount w/ USB-C Cable

This kit provides a hinge mount and cable to install the XL7 Customer Display on the NCR CX7 All-in-One POS (7772).

Kit Contents

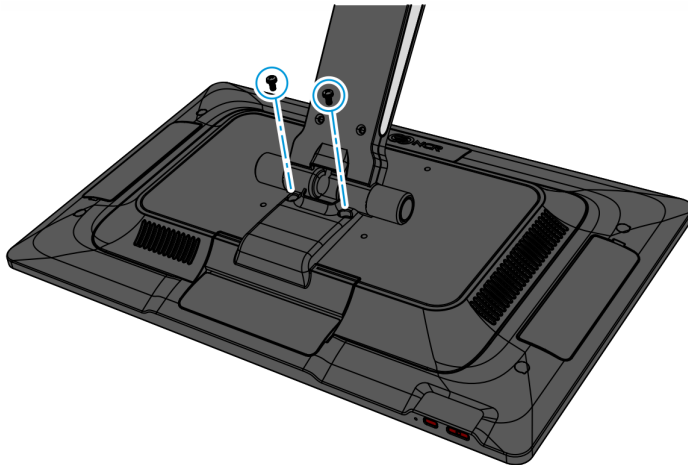


Installation Procedure

Warning

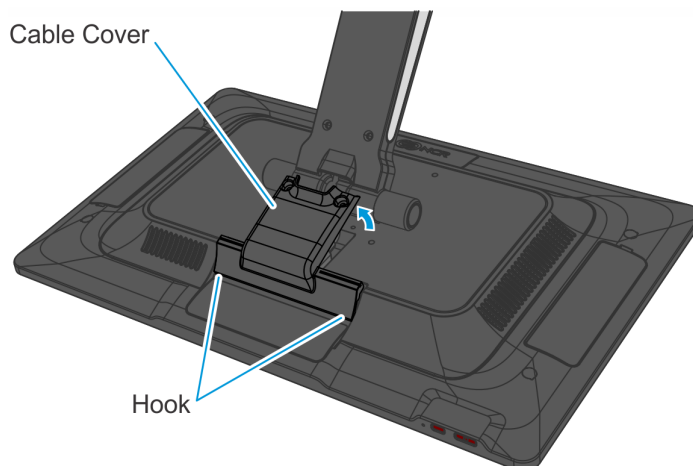
Disconnect the AC power cord from the AC outlet and wait 30 seconds before servicing the terminal.

1. Lay the Display face down on a flat surface.
Always use a soft material (cloth, foam) to protect the display screen when placing the terminal face down.
2. Remove the Cable Cover.
 - a. Remove the two (2) screws that secure the Cable Cover to the Back Cover.



CCP-77013

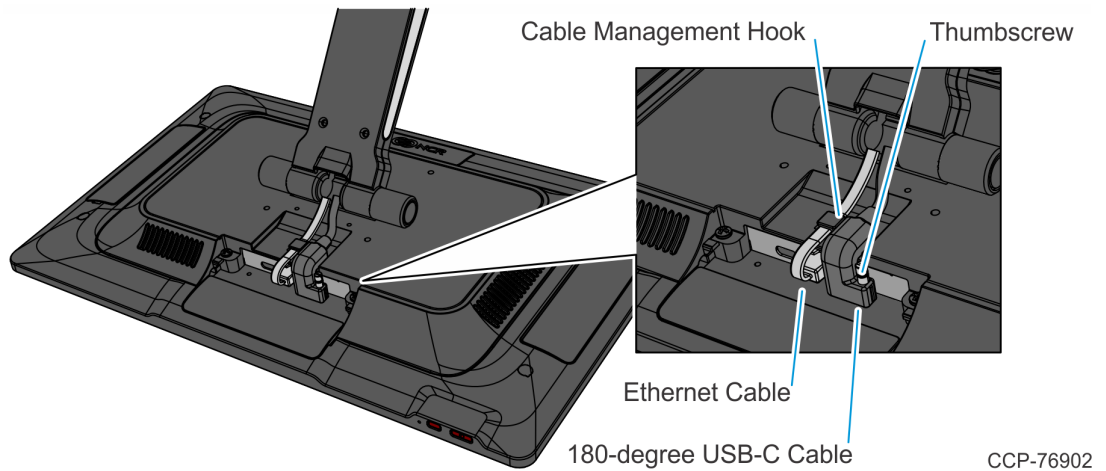
- b. Rotate and unhook the Cable Cover from the Back Cover.



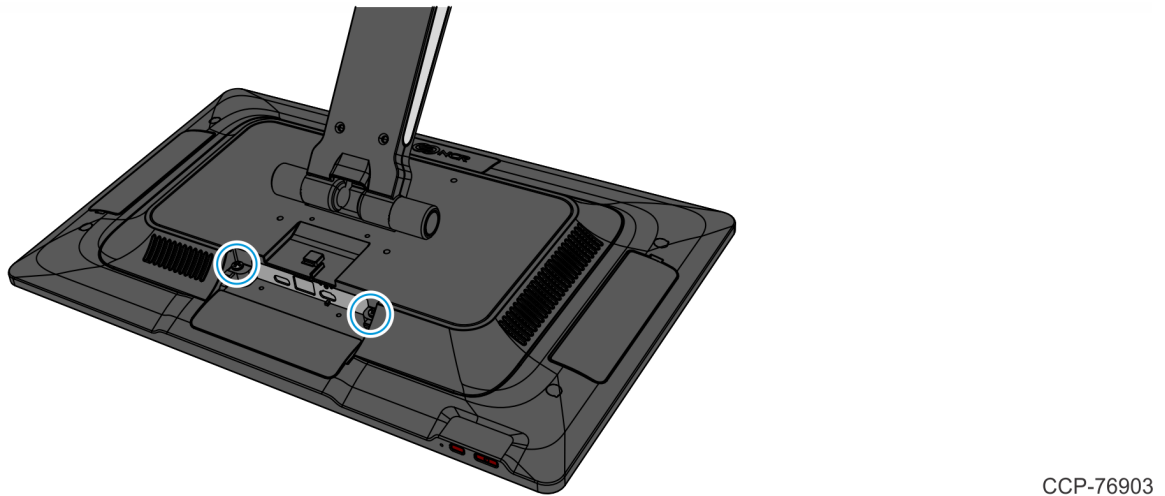
CCP-77014

3. Disconnect the Cables.

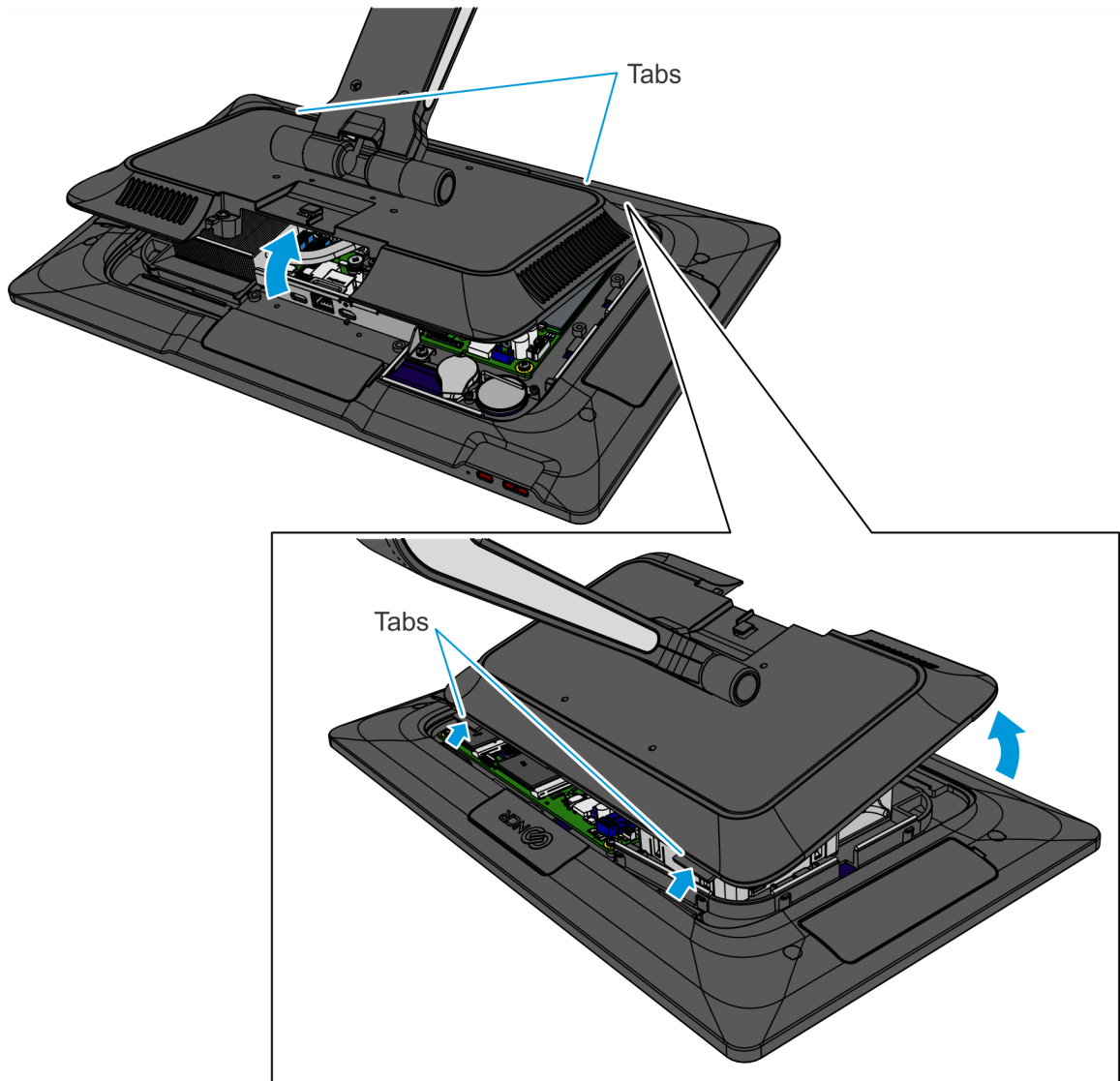
- a. Loosen the thumbscrew of the 180-degree USB-C Cable then disconnect the Cable.
- b. Remove the Ethernet Cable from the Cable Management Hook then disconnect the Cable.



4. Loosen the two (2) captive screws that secure the Back Cover to the Display.

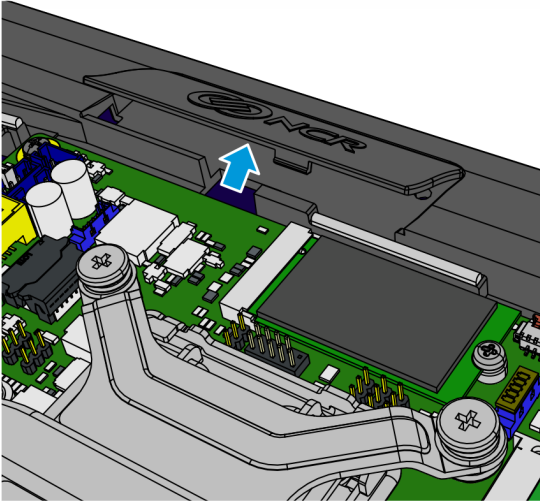


5. Rotate the Back Cover away from the Display and unhook the Back Cover Tabs.



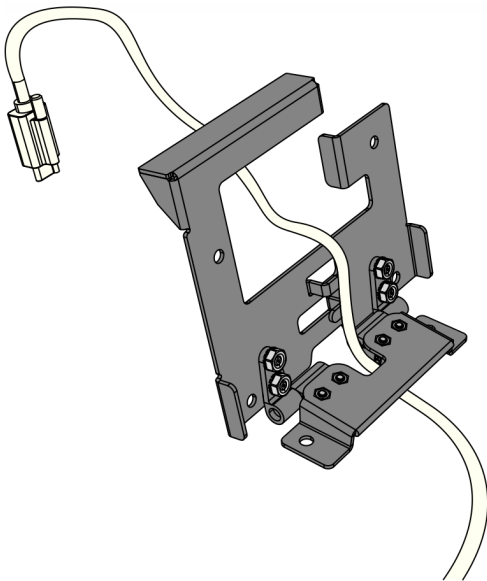
CCP-78836

6. Lift the bottom of the Logo Badge to unsnap it from Port D of the display housing.



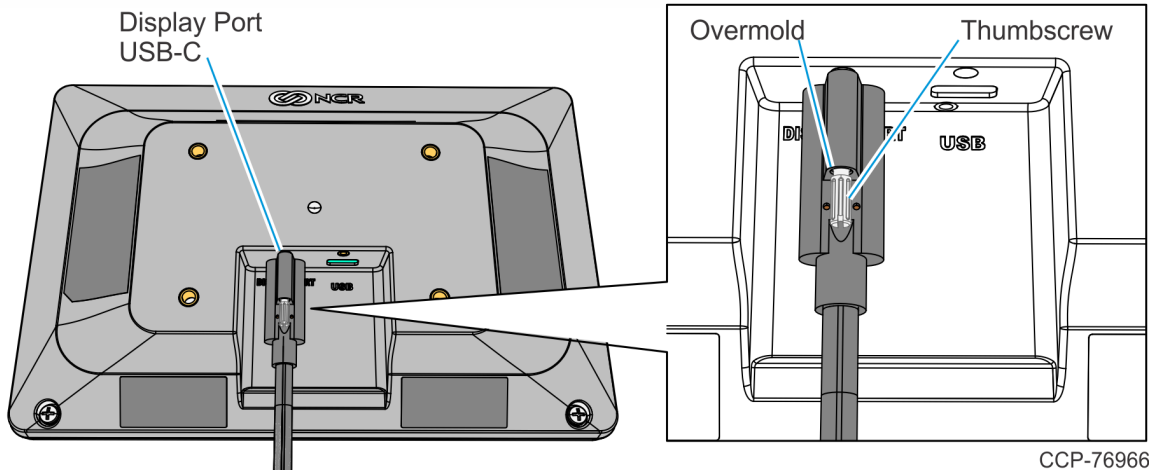
CCP-76925

7. Route the USB-C Cable through the Bracket as shown.
Do not hook the Cable on the Cable Management Hooks.

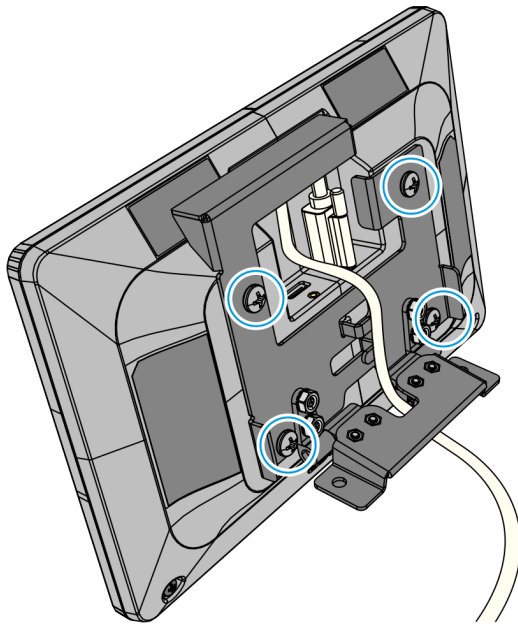


CCP-77877

8. Connect the Cable to the XL7 Customer Display. Tighten the thumbscrew. Avoid overtightening the thumbscrew by turning it only until the silver knurled portion touches the black plastic overmold. Overtightening the thumbscrew damages the connector on the board.

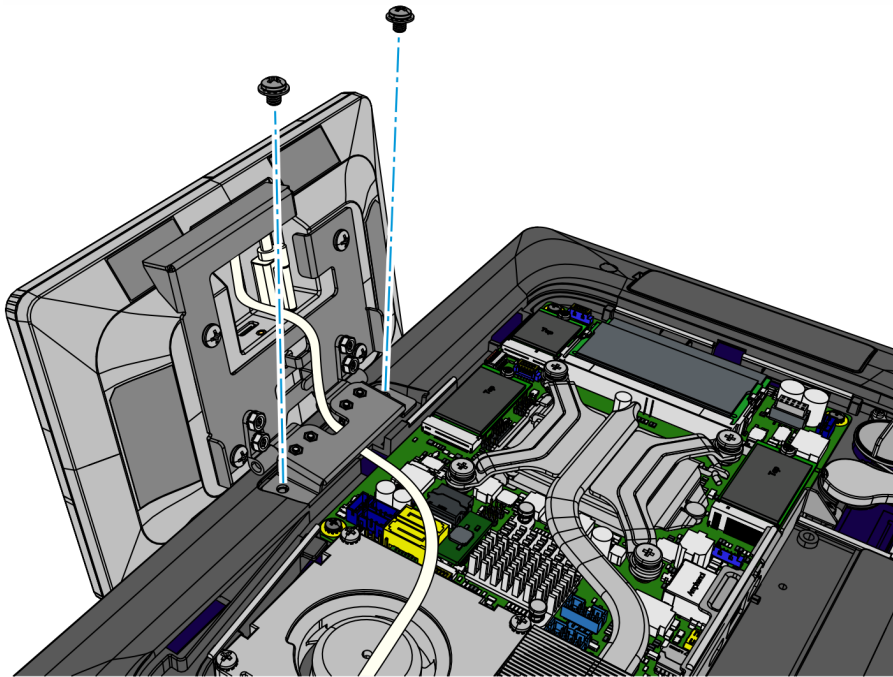


9. Install the Bracket on the back of the XL7 Customer Display (4 screws).



CCP-77875

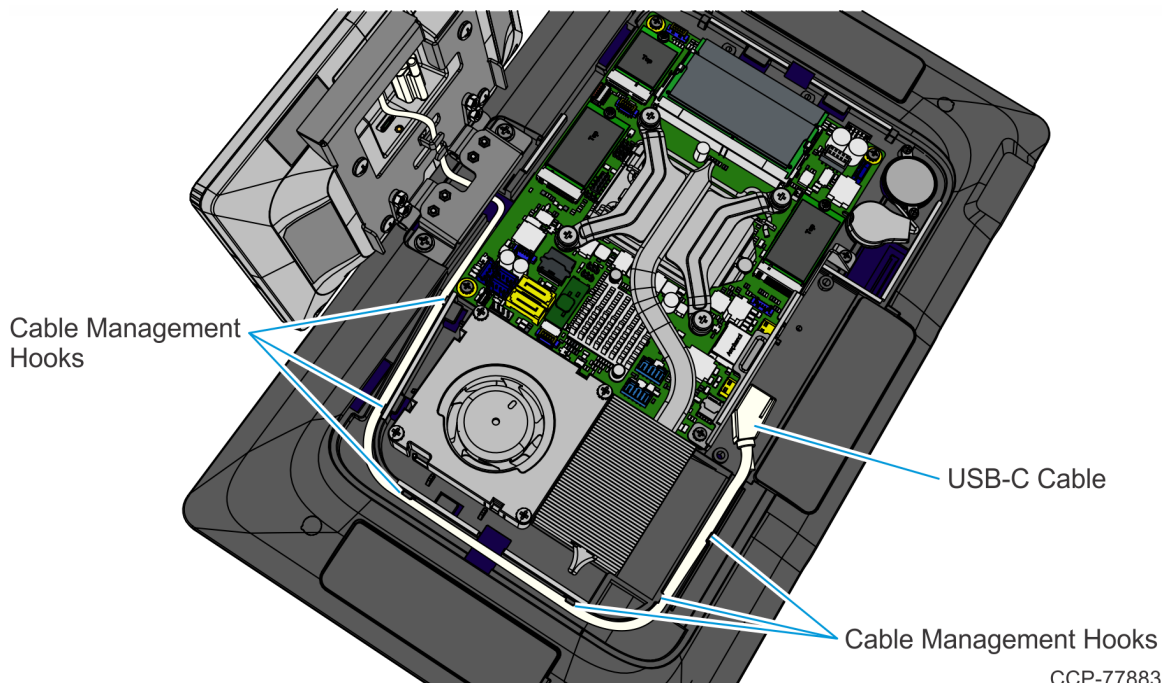
10. Install the Customer Display and Bracket assembly on the CX7 Display (2 screws).



CCP-77881

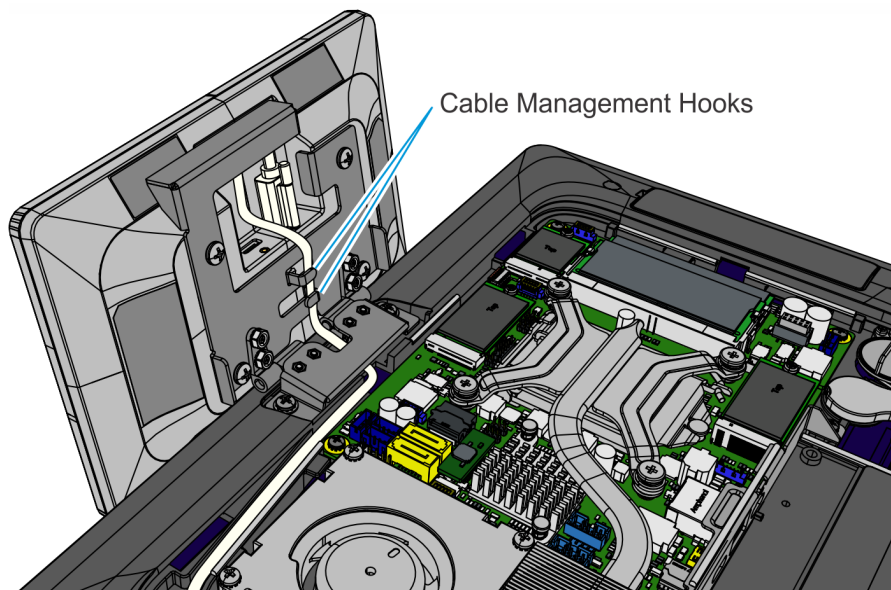
11. Connect the USB-C Cable to the Motherboard and route the Cable through the channel as shown.

When routing the Cable through the channel, start from the motherboard connector end of the Cable so that the excess cable is at the customer display end of the cable.



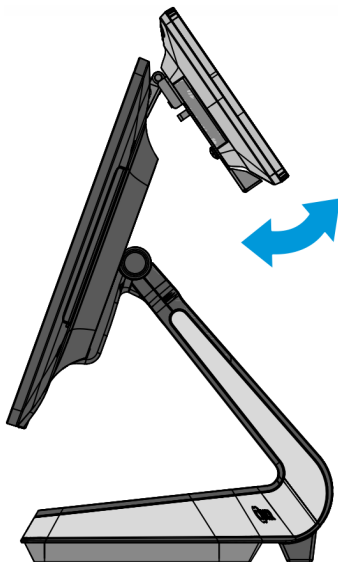
CCP-77883

12. Secure the Cable under the Cable Management Hooks of the Bracket.



CCP-77882

13. Reinstall the Display Back Cover.
14. Reconnect the 180-degree USB-C Cable and Ethernet Cable.
15. Reinstall the Cable Cover.
16. Pivot the XL7 Customer Display into position.



CCP-76967

Confidential and proprietary information of NCR Voyix.
Use and disclose solely pursuant to company instructions.