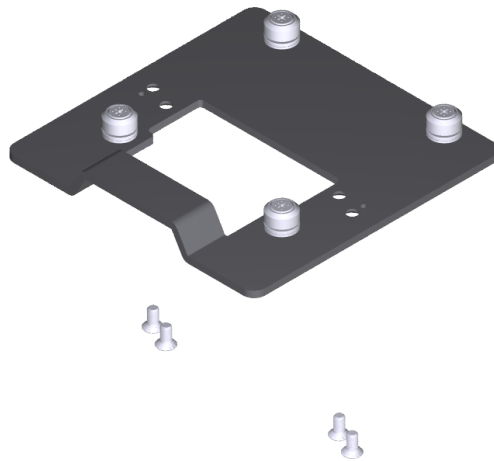




# Quick Release Bracket, 7772/7773

## Kit Instructions

---



7772-K403

Issue B

# Copyright

---

The product described in this document is a licensed product of NCR Voyix Corporation.

NCR CX7 All-in-One POS (7772) is a trademark of NCR Voyix Corporation in the United States and/or other countries. Other product names mentioned in this publication may be trademarks or registered trademarks of their respective companies and are hereby acknowledged.

Where creation of derivative works, modifications or copies of this NCR Voyix copyrighted documentation is permitted under the terms and conditions of an agreement you have with NCR Voyix, NCR Voyix's copyright notice must be included.

It is the policy of NCR Voyix Corporation to improve products as new technology, components, software, and firmware become available. NCR Voyix, therefore, reserves the right to change specifications without prior notice.

All features, functions, and operations described herein may not be marketed by NCR Voyix in all parts of the world. In some instances, photographs are of equipment prototypes. Therefore, before using this document, consult with your NCR Voyix representative or NCR Voyix office for information that is applicable and current.

Copyright © 2021–2024  
By NCR Voyix Corporation  
Atlanta, Georgia, USA  
All Rights Reserved

# Table of Contents

---

---

<b>Copyright</b> .....	<b>2</b>
<b>Quick Release Bracket, 7772/7773</b> .....	<b>5</b>
Kit Contents .....	5
Installation Procedure .....	6

# Revision Record

---

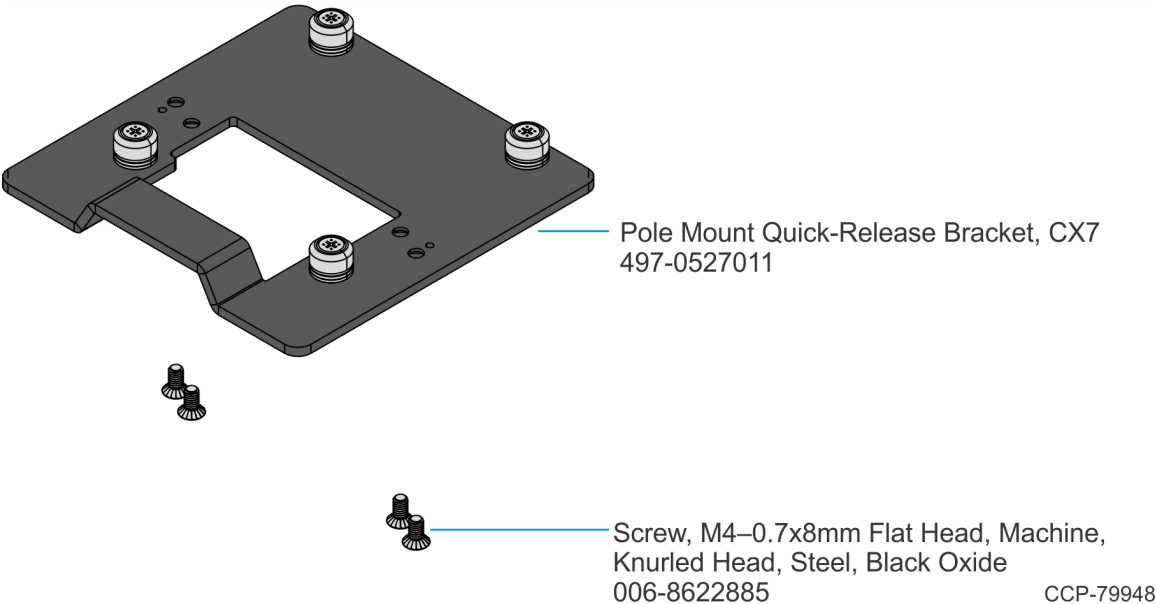
Issue	Date	Remarks
A	Jan 2021	First Issue
B	Dec 2021	Added Warning statement

# Quick Release Bracket, 7772/7773

---

This kit provides a Quick Release Bracket for the NCR CX7 All-in-One POS (7772) or NCR CX5 All-in-One POS (7773) mounted on a pole.

## Kit Contents

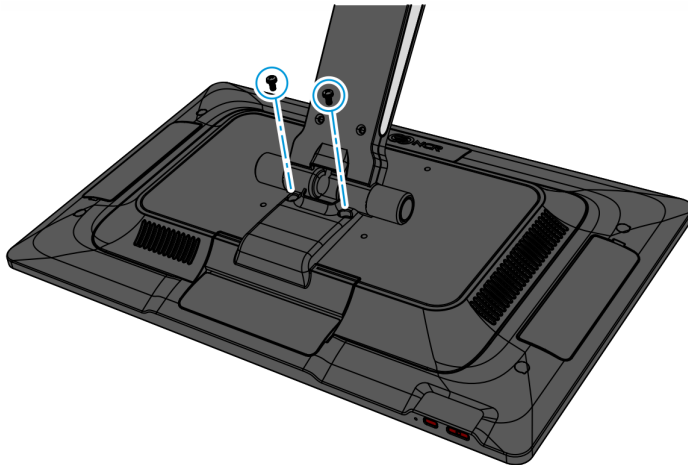


# Installation Procedure

## Warning

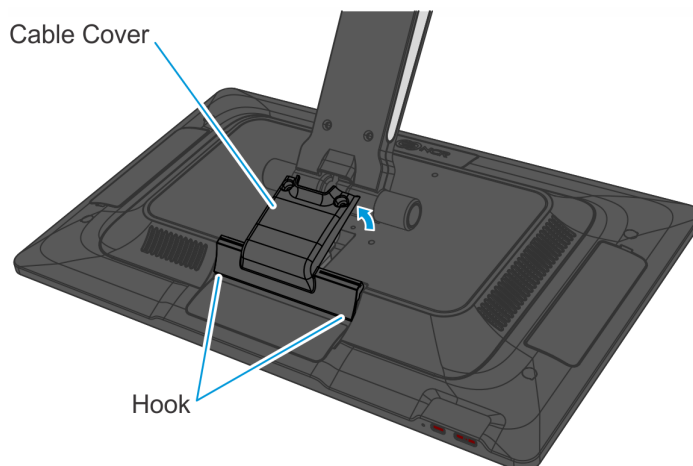
Disconnect the AC power cord from the AC outlet and wait 30 seconds before servicing the terminal.

1. Lay the Display face down on a flat surface.  
Always use a soft material (cloth, foam) to protect the display screen when placing the terminal face down.
2. Remove the Cable Cover.
  - a. Remove the two (2) screws that secure the Cable Cover to the Back Cover.



CCP-77013

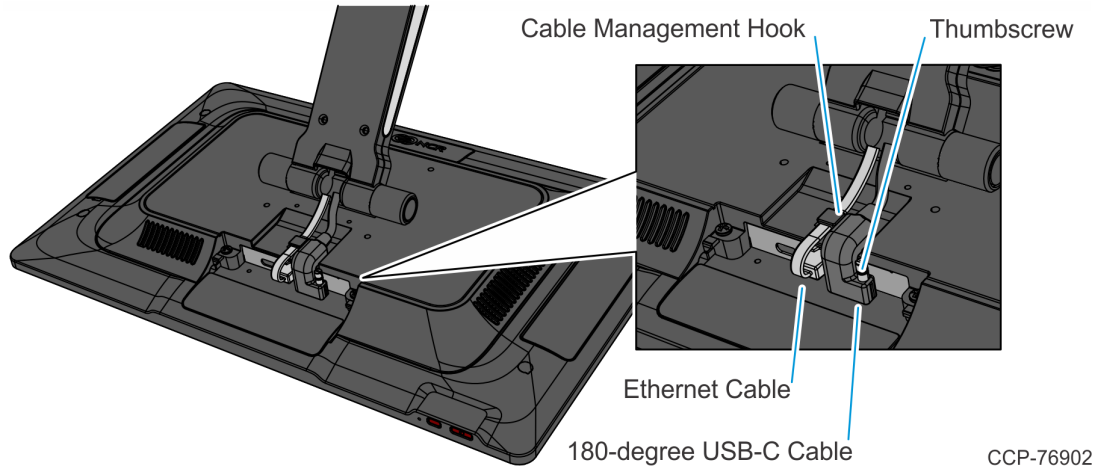
- b. Rotate and unhook the Cable Cover from the Back Cover.



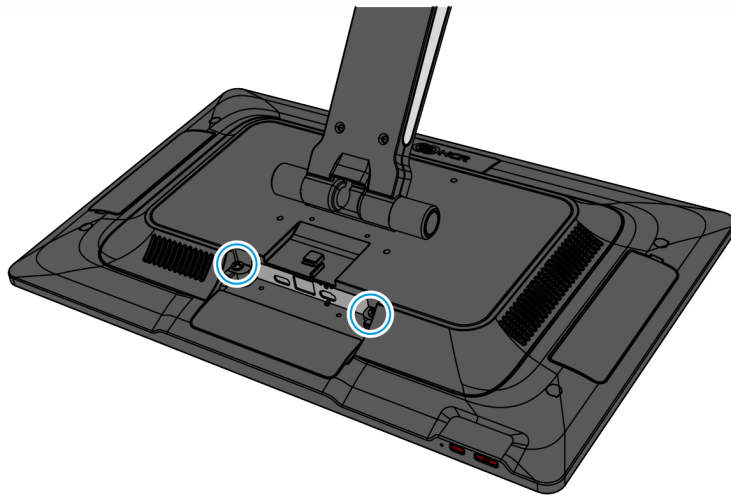
CCP-77014

3. Disconnect the Cables.

- a. Loosen the thumbscrew of the 180-degree USB-C Cable then disconnect the Cable.
- b. Remove the Ethernet Cable from the Cable Management Hook then disconnect the Cable.

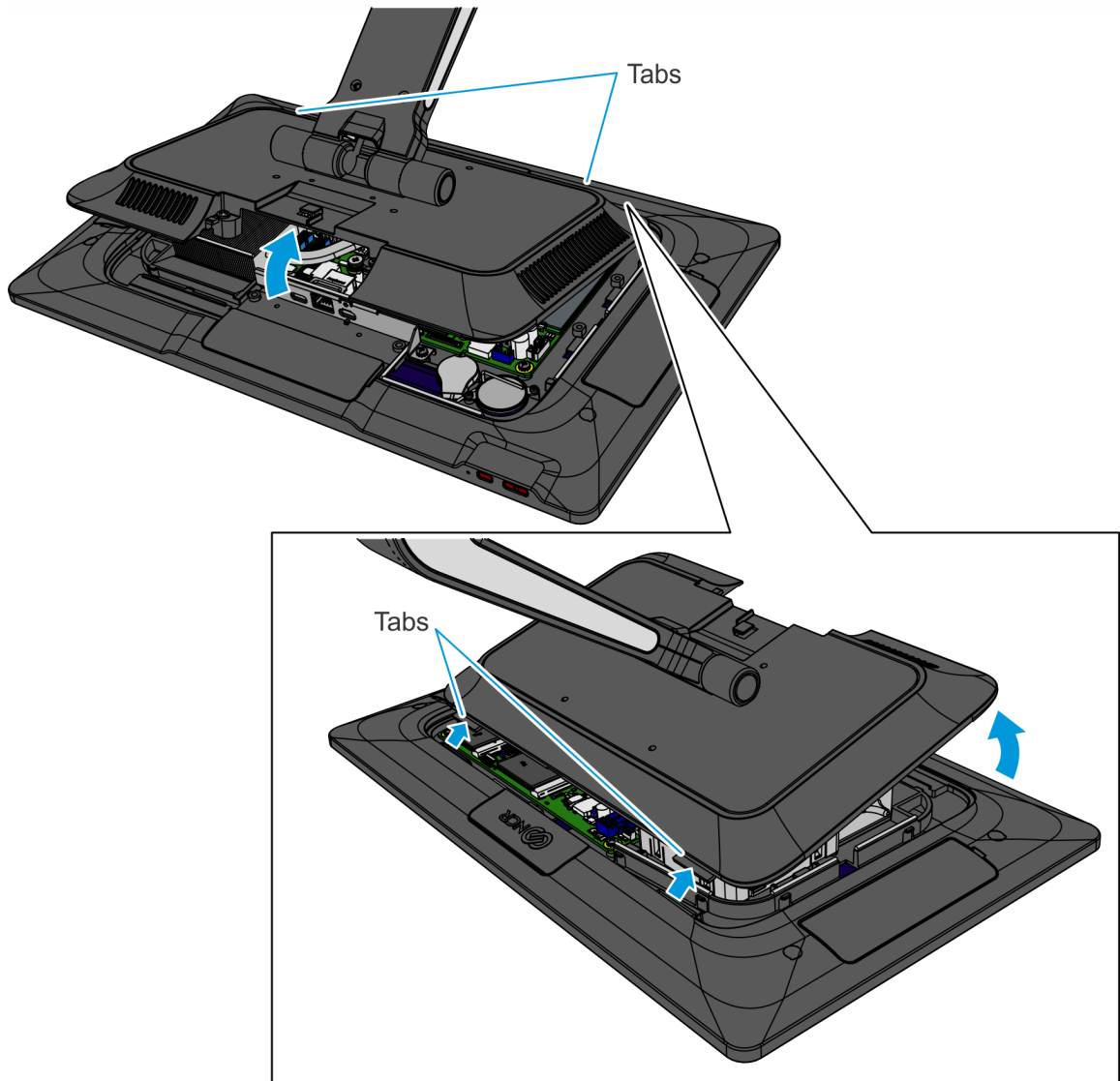


4. Loosen the two (2) captive screws that secure the Back Cover to the Display.



CCP-76903

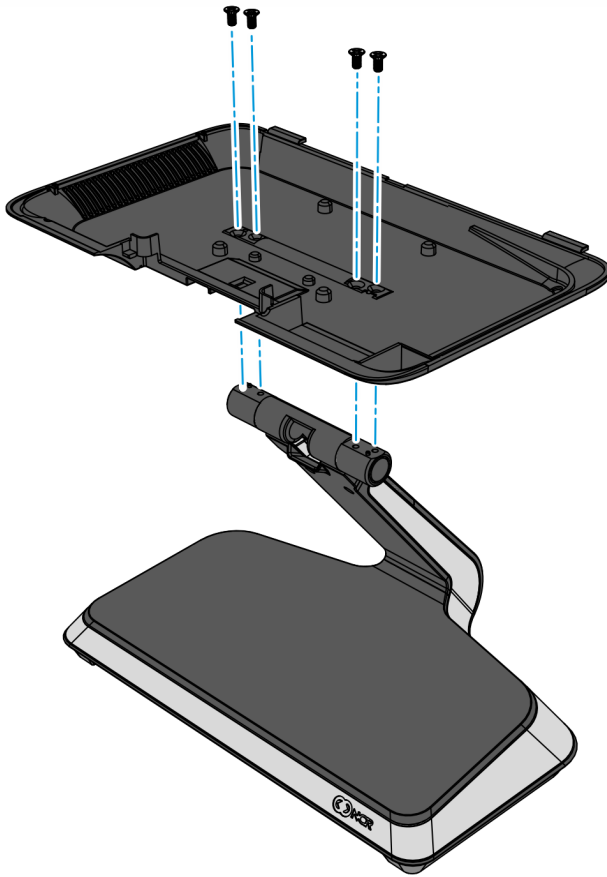
5. Rotate the Back Cover away from the Display and unhook the Back Cover Tabs.



CCP-78836



6. Remove the four (4) screws securing the Display Back Cover to the hinge of the Base.

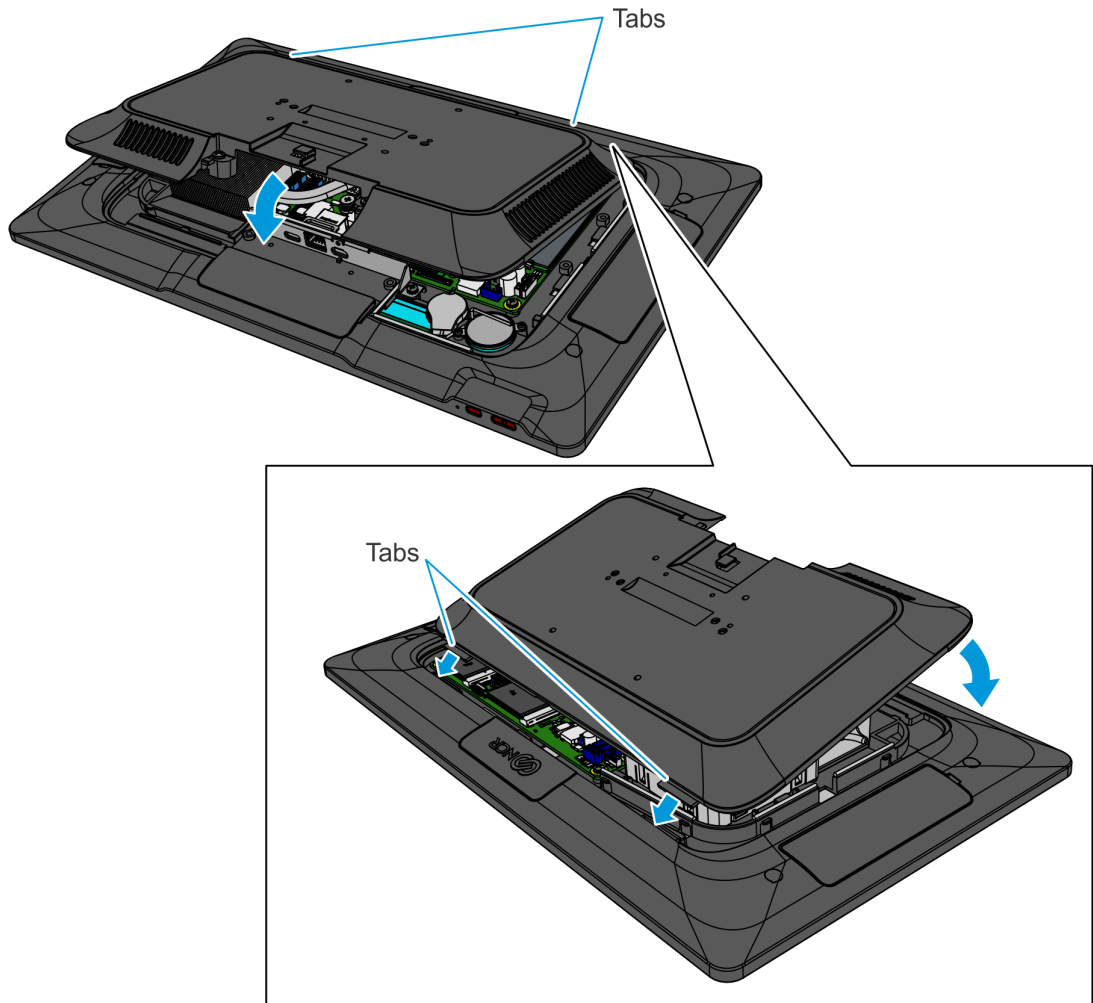


CCP-78226

Confidential and proprietary information of NCR Voyix.  
Use and disclose solely pursuant to company instructions.

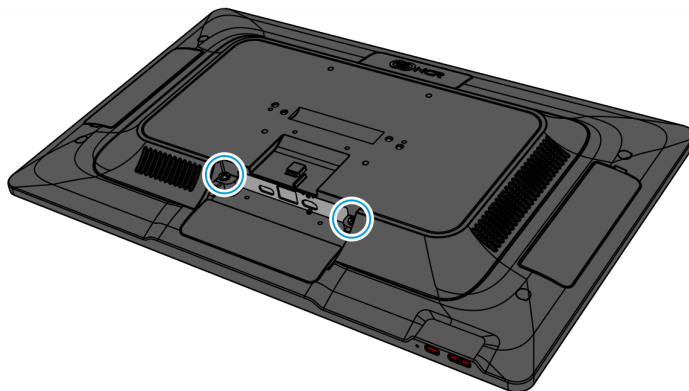
7. Install the Back Cover on the Display.

- a. Insert the Back Cover Tabs into the openings in the back of the Display, then rotate the Back Cover onto the Display.



CCP-78838

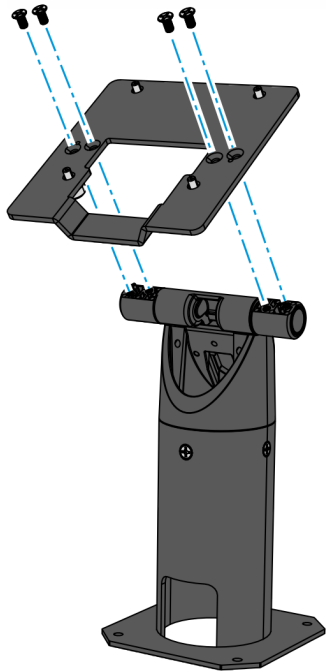
- b. Secure the Back Cover with two (2) captive screws.



CCP-78250

Confidential and proprietary information of NCR Voyix.  
Use and disclose solely pursuant to company instructions.

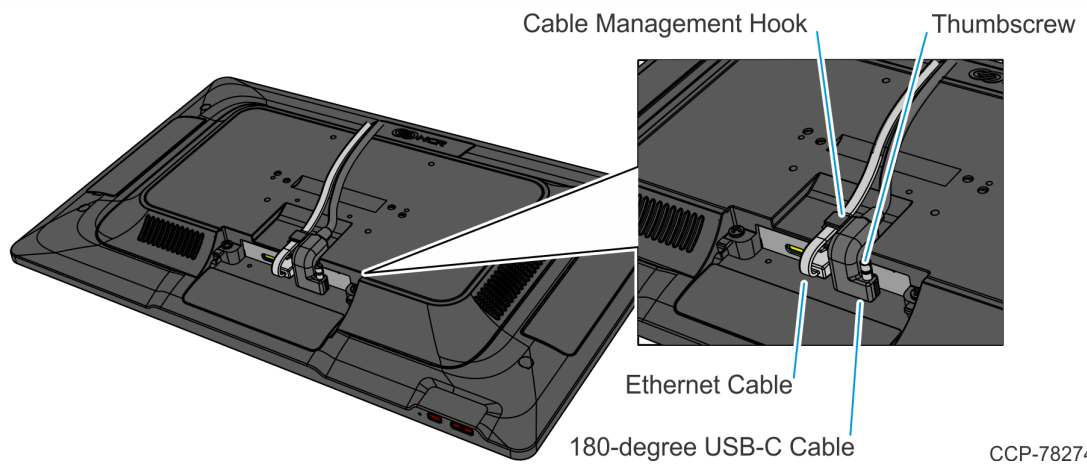
8. Install the Quick-Release Bracket on the hinge of the Pole (4 screws).



CCP-78247

9. Connect the Cables on the back of the Display.

- a. Connect the Ethernet Cable until latched and secure the cable under the Cable Management Hook.
- b. Connect the 180-degree USB-C Cable and tighten the thumbscrew.



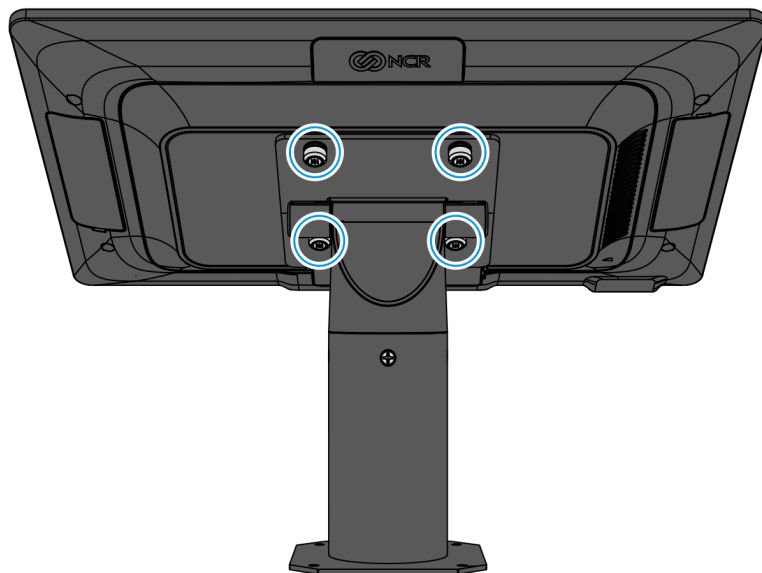
CCP-78274

10. Route the Cables through the Bracket and down the Pole.



CCP-78248

11. Install the Display on the Bracket (4 thumbscrews).



CCP-78245