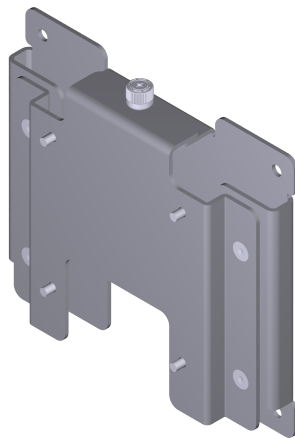




Bracket, Wall Mount, Integrated I/O

Kit Instructions



7772-K320

Issue B

Copyright

The product described in this document is a licensed product of NCR Voyix Corporation.

NCR CX7 All-in-One POS (7772) is a trademark of NCR Voyix Corporation in the United States and/or other countries. Other product names mentioned in this publication may be trademarks or registered trademarks of their respective companies and are hereby acknowledged.

Where creation of derivative works, modifications or copies of this NCR Voyix copyrighted documentation is permitted under the terms and conditions of an agreement you have with NCR Voyix, NCR Voyix's copyright notice must be included.

It is the policy of NCR Voyix Corporation to improve products as new technology, components, software, and firmware become available. NCR Voyix, therefore, reserves the right to change specifications without prior notice.

All features, functions, and operations described herein may not be marketed by NCR Voyix in all parts of the world. In some instances, photographs are of equipment prototypes. Therefore, before using this document, consult with your NCR Voyix representative or NCR Voyix office for information that is applicable and current.

Copyright © 2020–2024
By NCR Voyix Corporation
Atlanta, Georgia, USA
All Rights Reserved

Table of Contents

Copyright	2
Bracket, Wall Mount, Integrated I/O	5
Kit Contents	5
Dimensions	5
Installation Procedure	6

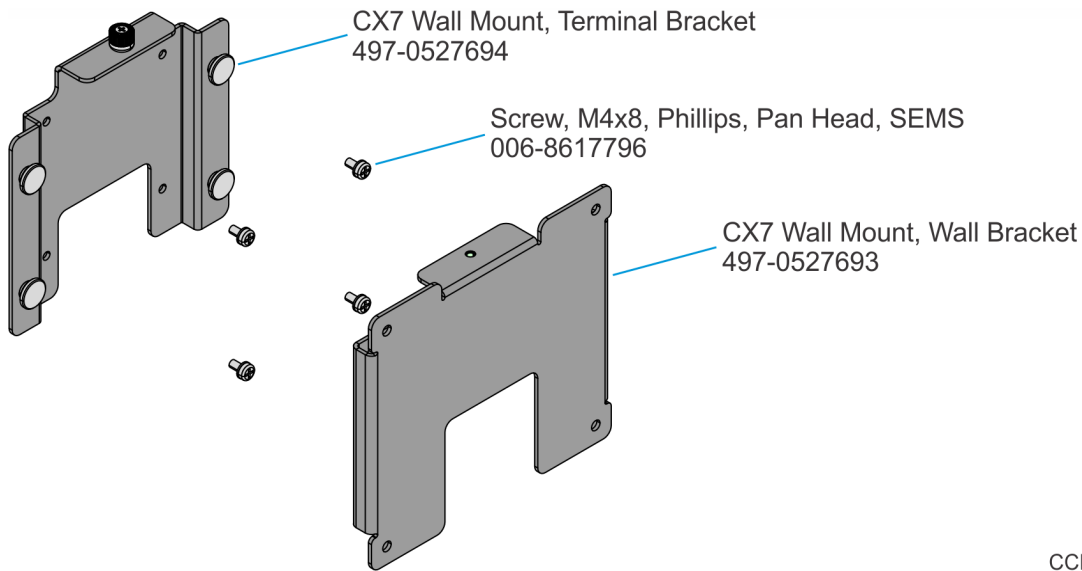
Revision Record

Issue	Date	Remarks
A	Aug 2020	First Issue
B	Mar 2021	Added Dimensions section

Bracket, Wall Mount, Integrated I/O

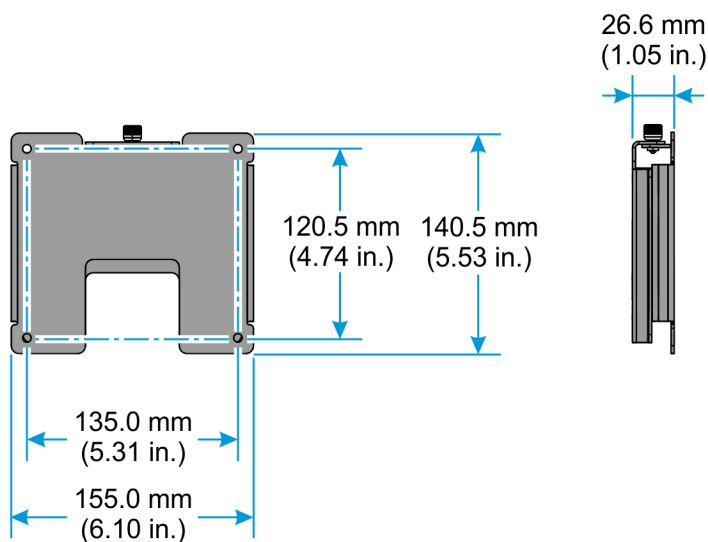
This kit provides a Wall Mount Bracket for the CX7 with Integrated I/O.

Kit Contents



CCP-79525

Dimensions

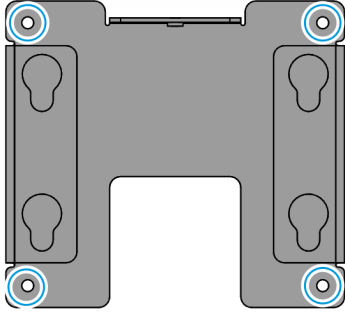


CCP-79963

Confidential and proprietary information of NCR Voyix.
Use and disclose solely pursuant to company instructions.

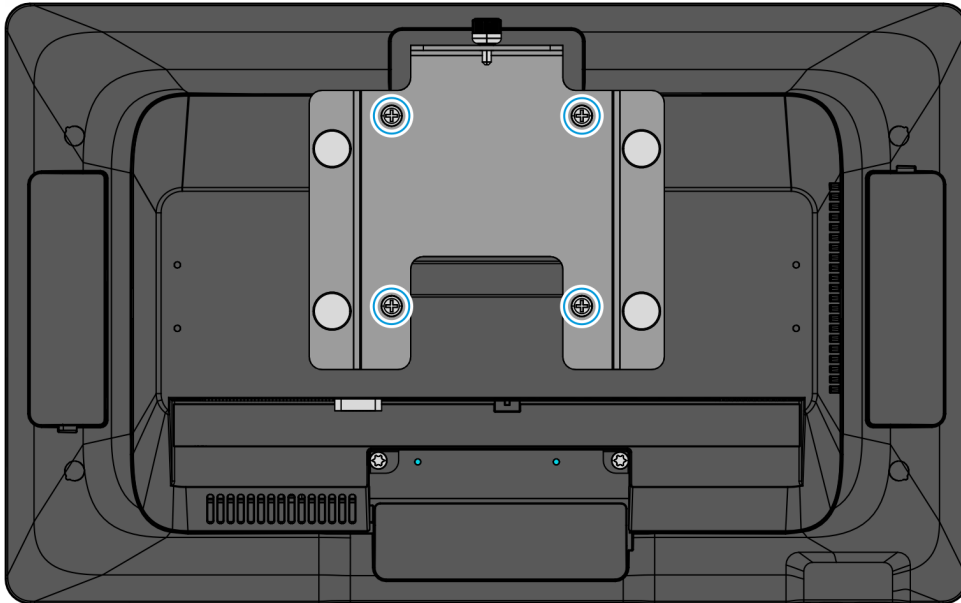
Installation Procedure

1. Install the Wall Bracket on the wall (4 screws). Use appropriate hardware for drywall or concrete/brick wall. For drywall, it is preferred, but not necessary, to mount one side of holes to a stud.



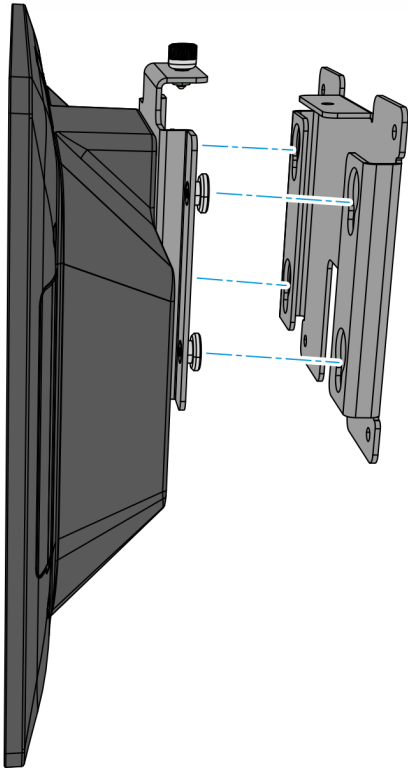
CCP-79529

2. Install the Terminal Bracket on the back of the CX7 (4 screws).



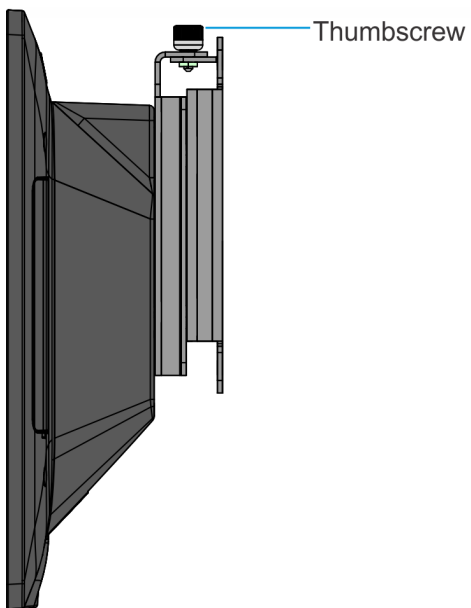
CCP-79530

3. Hook the Terminal Bracket to the Wall Bracket.



CCP-79531

4. Tighten the Thumbscrew to secure the Brackets.



CCP-79532

Confidential and proprietary information of NCR Voyix.
Use and disclose solely pursuant to company instructions.