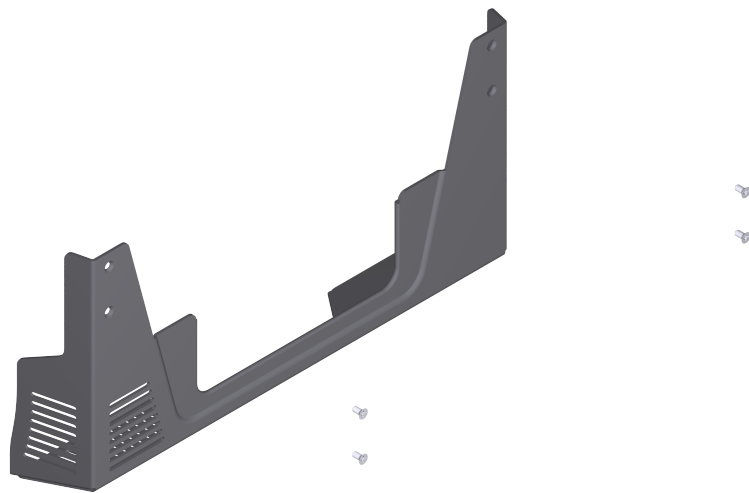




Bracket, Tamper Resistant, Integrated I/O Kit Instructions



7772-K300/K310

Issue B

Copyright

The product described in this document is a licensed product of NCR Voyix Corporation.

NCR CX7 All-in-One POS (7772) is a trademark of NCR Voyix Corporation in the United States and/or other countries. Other product names mentioned in this publication may be trademarks or registered trademarks of their respective companies and are hereby acknowledged.

Where creation of derivative works, modifications or copies of this NCR Voyix copyrighted documentation is permitted under the terms and conditions of an agreement you have with NCR Voyix, NCR Voyix's copyright notice must be included.

It is the policy of NCR Voyix Corporation to improve products as new technology, components, software, and firmware become available. NCR Voyix, therefore, reserves the right to change specifications without prior notice.

All features, functions, and operations described herein may not be marketed by NCR Voyix in all parts of the world. In some instances, photographs are of equipment prototypes. Therefore, before using this document, consult with your NCR Voyix representative or NCR Voyix office for information that is applicable and current.

Copyright © 2020–2024
By NCR Voyix Corporation
Atlanta, Georgia, USA
All Rights Reserved

Table of Contents

Copyright	2
Tamper Resistant Bracket, Integrated I/O	5
Kit Contents	5
Installation Procedure	6

Revision Record

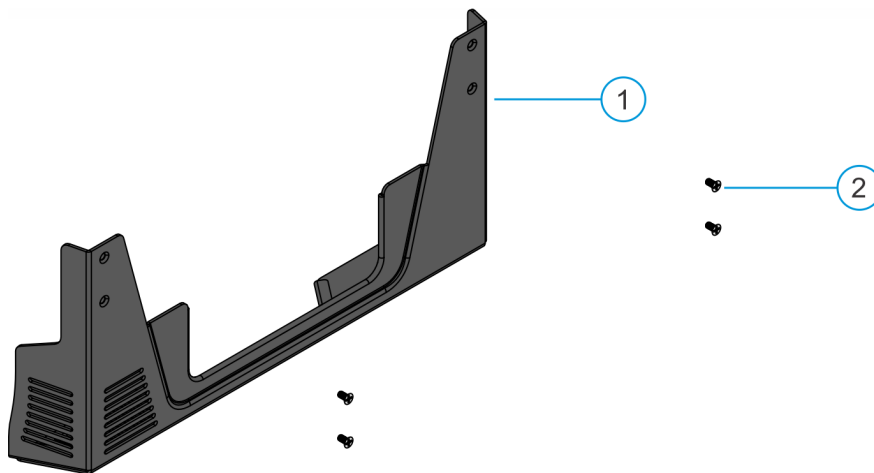
Issue	Date	Remarks
A	Aug 2020	First Issue
B	Jan 2021	Added K310

Tamper Resistant Bracket, Integrated I/O

This kit provides a Tamper Resistant Bracket for the CX7 with Integrated I/O.

- **7772-K300** – Tamper Resistant Bracket, Integrated I/O, 15.6" 16:9 Display
- **7772-K310** – Tamper Resistant Bracket, Integrated I/O, 15" 4:3 Display

Kit Contents



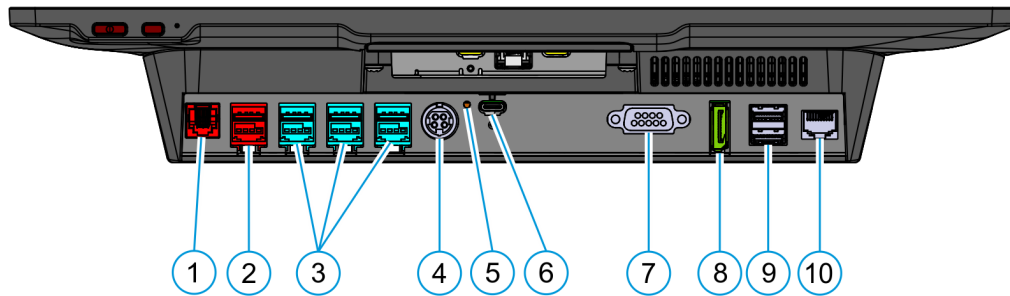
CCP-79523

Item	Part Number	Description
7772-K300 Tamper Resistant Bracket, Integrated I/O, 15.6" 16:9 Display		
1	497-0527994	Bracket, Tamper Resistant, Integrated I/O, 15.6" 16:9 Display
2	006-8624748	Screw, M3x6, Flat Head, Phillips, Black, With Thread Lock
7772-K310 Tamper Resistant Bracket, Integrated I/O, 15" 4:3 Display		
1	497-0526948	Bracket, Tamper Resistant, Integrated I/O, 15" 4:3 Display
2	006-8624748	Screw, M3x6, Flat Head, Phillips, Black, With Thread Lock

Installation Procedure

1. Connect the cables to the appropriate I/O port.

Integrated USB Centric I/O (Retail) Expansion

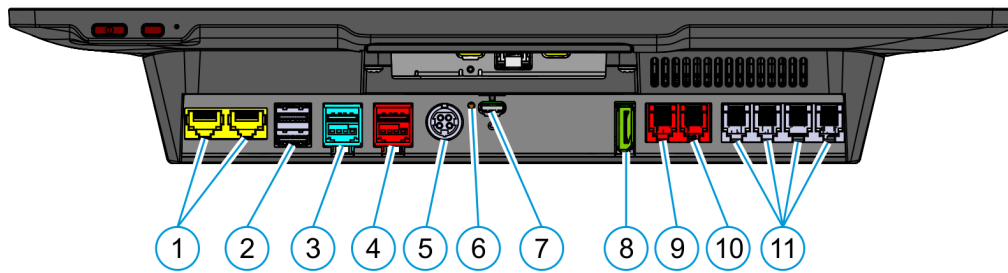


CCP-79083

Callout	Port Name
1	Cash Drawer
2	USB 24V
3	USB 12V
4	24V Power In
5	Status LED
6	USB-C
7	DB9 Serial (Standard UART)
8	DisplayPort
9	Dual USB 3.0
10	RJ50 Serial (Enhanced UART)

Confidential and proprietary information of NCR Voyix.
Use and disclose solely pursuant to company instructions.

Integrated Serial Centric I/O (Hospitality) Expansion

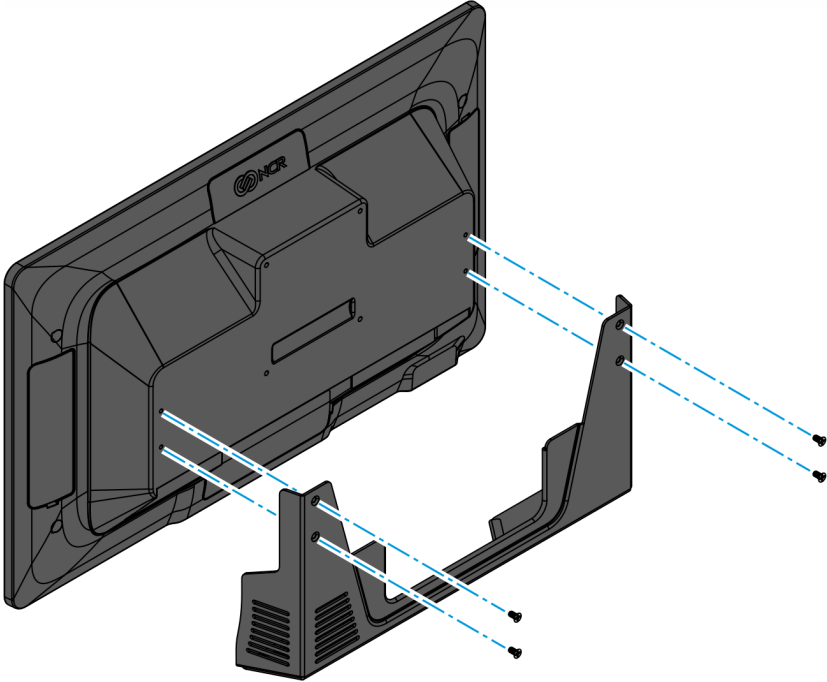


CCP-79084

Callout	Port Name
1	RJ45 Serial <ul style="list-style-type: none"> • COM5 (Enhanced UART) • COM6 (Standard UART)
2	Dual USB 3.0
3	USB 12V
4	USB 24V
5	24V Power In
6	Status LED
7	USB-C
8	DisplayPort
9	Cash Drawer B
10	Cash Drawer A
11	RJ12 Serial <ul style="list-style-type: none"> • COM1 (Enhanced UART) • COM2 (Standard UART) • COM3 (Enhanced UART) • COM4 (Standard UART)

Confidential and proprietary information of NCR Voyix.
Use and disclose solely pursuant to company instructions.

2. Install the Tamper Resistant Bracket on the Integrated I/O (4 screws).



CCP-79524