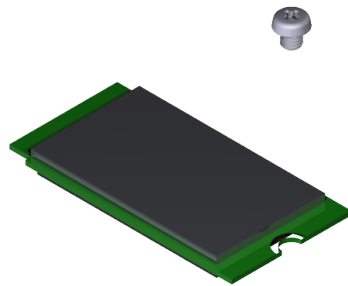




Solid State Drive (SSD)

Kit Instructions



7772-K241/K253/K255

Issue G

Copyright

The product described in this document is a licensed product of NCR Voyix Corporation.

NCR CX7 All-in-One POS (7772) is a trademark of NCR Voyix Corporation in the United States and/or other countries. Other product names mentioned in this publication may be trademarks or registered trademarks of their respective companies and are hereby acknowledged.

Where creation of derivative works, modifications or copies of this NCR Voyix copyrighted documentation is permitted under the terms and conditions of an agreement you have with NCR Voyix, NCR Voyix's copyright notice must be included.

It is the policy of NCR Voyix Corporation to improve products as new technology, components, software, and firmware become available. NCR Voyix, therefore, reserves the right to change specifications without prior notice.

All features, functions, and operations described herein may not be marketed by NCR Voyix in all parts of the world. In some instances, photographs are of equipment prototypes. Therefore, before using this document, consult with your NCR Voyix representative or NCR Voyix office for information that is applicable and current.

Copyright © 2019–2024
By NCR Voyix Corporation
Atlanta, Georgia, USA
All Rights Reserved

Table of Contents

Copyright	2
Solid State Drive (SSD)	5
Kit Contents	6
Installation Procedure	7
NCR CX7 All-in-One POS (7772)/NCR CX5 All-in-One POS (7773)	7
NCR CX8 POS (7736)	12

Revision Record

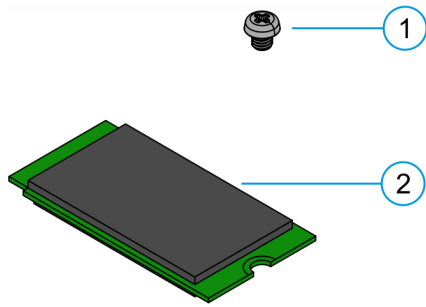
Issue	Date	Remarks
A	Jun 2019	First Issue
B	Nov 2019	Added K255
C	Jun 2020	Added CX5 (7773) to introduction Updated illustrations for steps 4 and 5
D	Aug 2020	Added installation procedure for CX8 (7736)
E	Jan 2021	Added K256
F	Aug 2021	Updated PNs for K253 and K255 Removed K256
G	Dec 2021	Added Warning statement

Solid State Drive (SSD)

This kit provides a Solid State Drive for:

- NCR CX7 All-in-One POS (7772) or NCR CX8 POS (7736)
 - **7772-K241** – 120GB SSD
 - **7772-K253** – 240GB SSD
 - **7772-K255** – 480GB SSD
- NCR CX5 All-in-One POS (7773)
 - **7772-K241** – 120GB SSD

Kit Contents



CCP-77007

Item	Part Number	Description
7772-K241 120GB SSD		
1	006-8627556	Screw, M3x4mm Phillips, Low Profile, Black
2	006-8627411	Storage, Apacer, 120GB M.2 42mm SATA 3D NAND Module
7772-K253 240GB SSD		
1	006-8627556	Screw, M3x4mm Phillips, Low Profile, Black
2	006-8628119	Apacer 240GB 4-channel BiCs4 NVMe M.2 Module (PNPE1B3A)
7772-K255 480GB SSD		
1	006-8627556	Screw, M3x4mm Phillips, Low Profile, Black
2	006-8628118	Apacer 480GB 4-channel BiCs4 NVMe M.2 Module (PNPE1B3A)
7772-K256 480GB NVMe 4-channel SSD		
1	006-8627556	Screw, M3x4mm Phillips, Low Profile, Black
2	006-8627767	Storage, Apacer, 480GB M.2 42mm NVME PCIe Gen3 X4 Module

Confidential and proprietary information of NCR Voyix.
Use and disclose solely pursuant to company instructions.

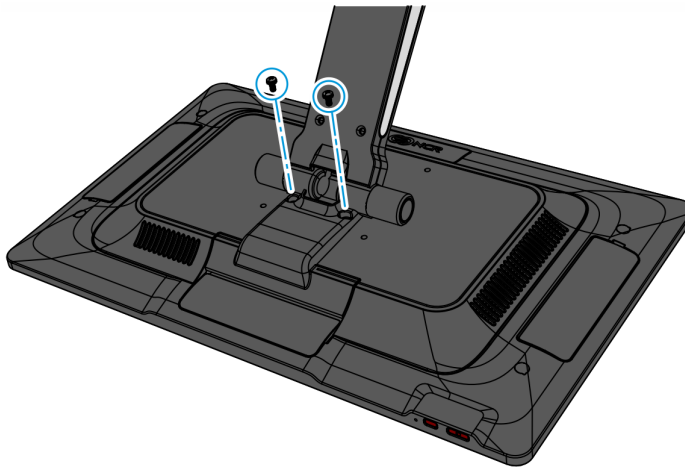
Installation Procedure

⚠ Warning

Disconnect the AC power cord from the AC outlet and wait 30 seconds before servicing the terminal.

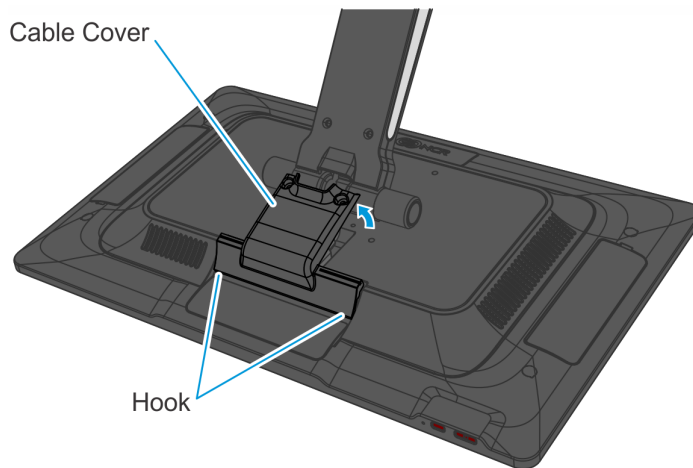
NCR CX7 All-in-One POS (7772)/NCR CX5 All-in-One POS (7773)

1. Lay the Display face down on a flat surface.
Always use a soft material (cloth, foam) to protect the display screen when placing the terminal face down.
2. Remove the Cable Cover.
 - a. Remove the two (2) screws that secure the Cable Cover to the Back Cover.



CCP-77013

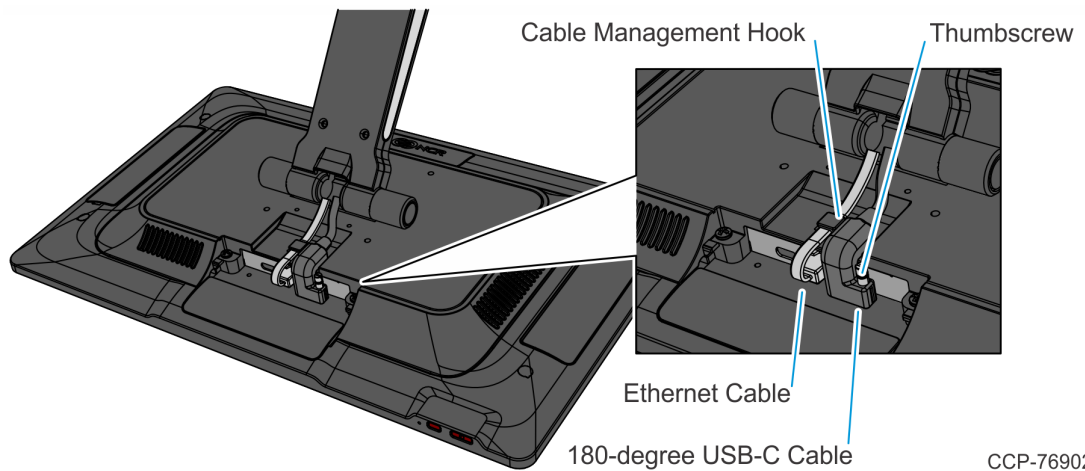
- b. Rotate and unhook the Cable Cover from the Back Cover.



CCP-77014

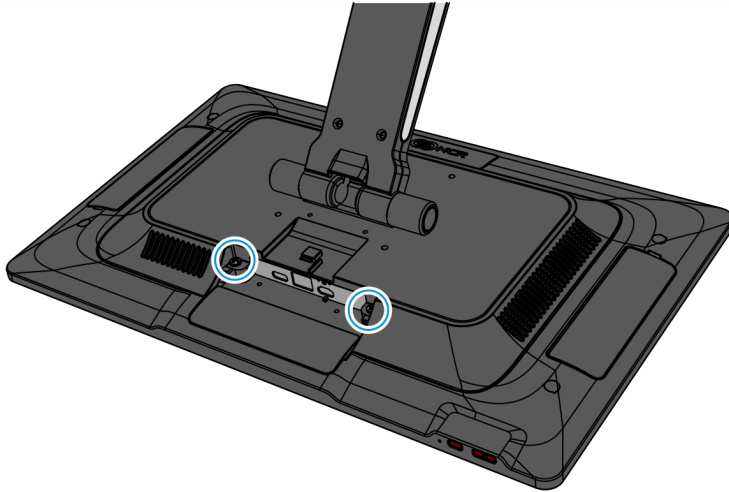
3. Disconnect the Cables.

- a. Loosen the thumbscrew of the 180-degree USB-C Cable then disconnect the Cable.
- b. Remove the Ethernet Cable from the Cable Management Hook then disconnect the Cable.



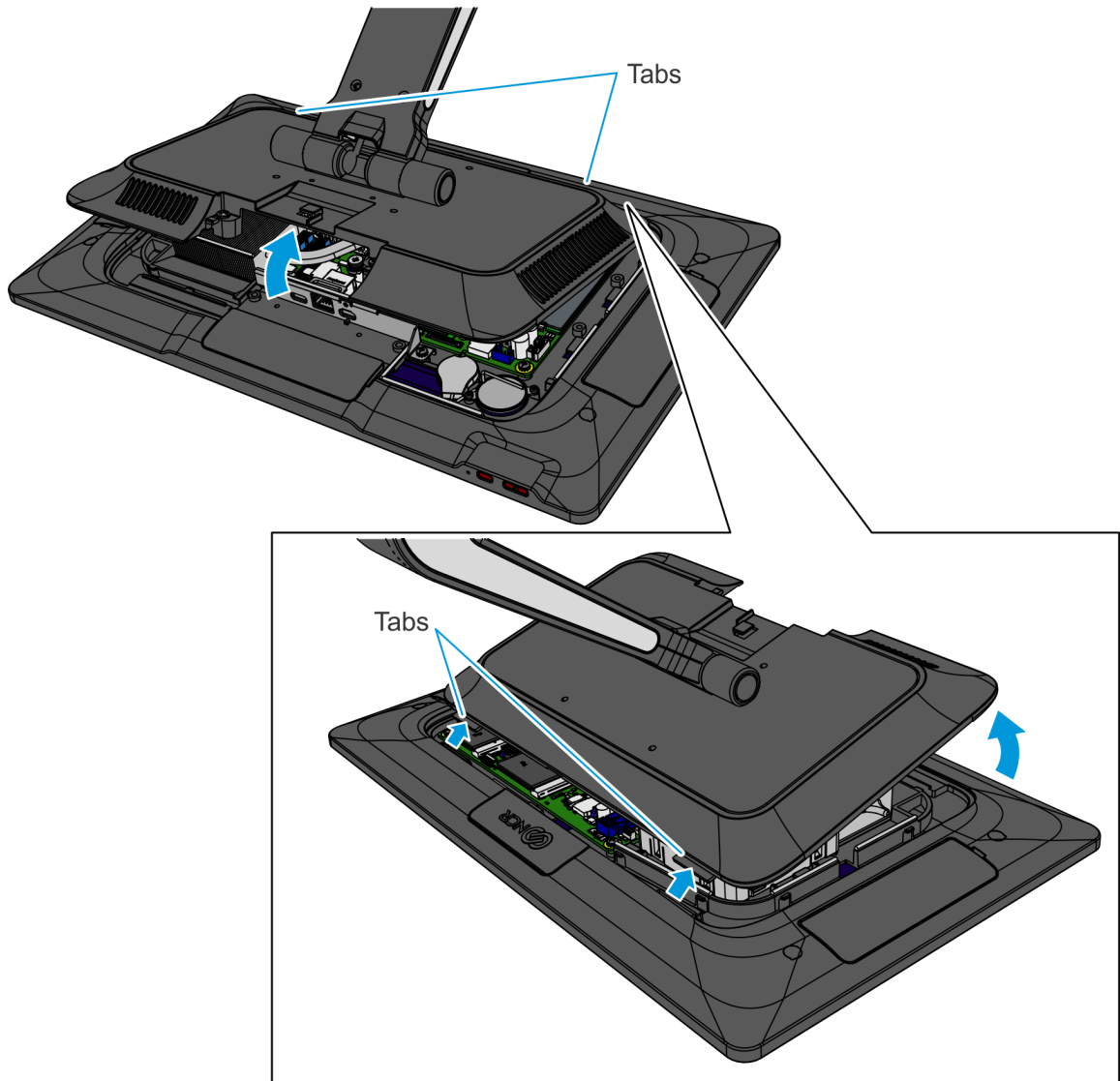
CCP-76902

4. Loosen the two (2) captive screws that secure the Back Cover to the Display.



CCP-76903

5. Rotate the Back Cover away from the Display and unhook the Back Cover Tabs.

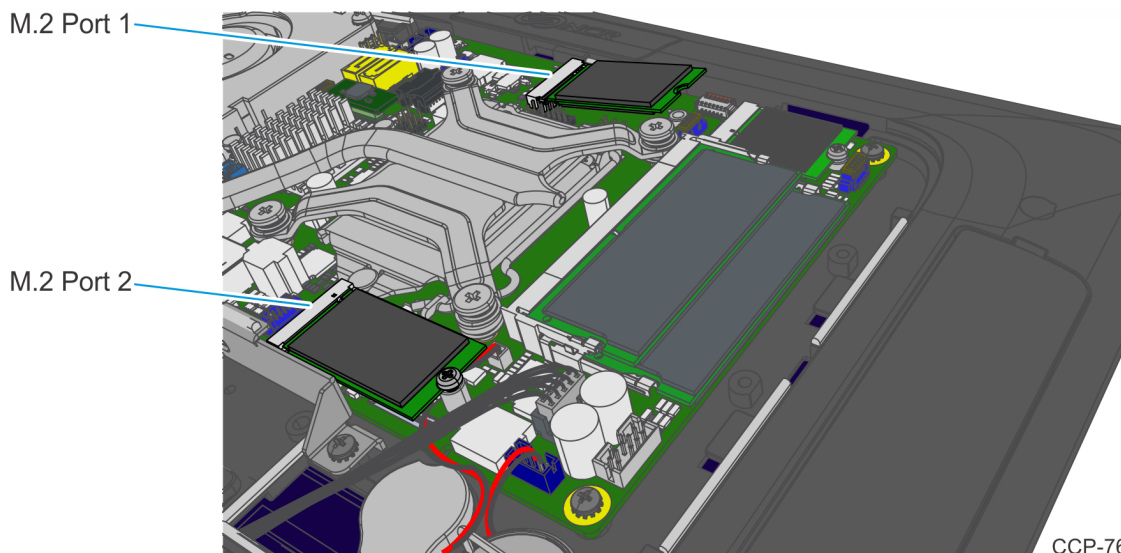


CCP-78836

6. Insert the M.2 SSD at an angle and slide it into the connector.

Note

There are two M.2 Ports on the Motherboard. The primary M.2 SSD should be installed in the M.2 Port 1, and the secondary M.2 SSD (for dual media) should be installed in the M.2 Port 2.

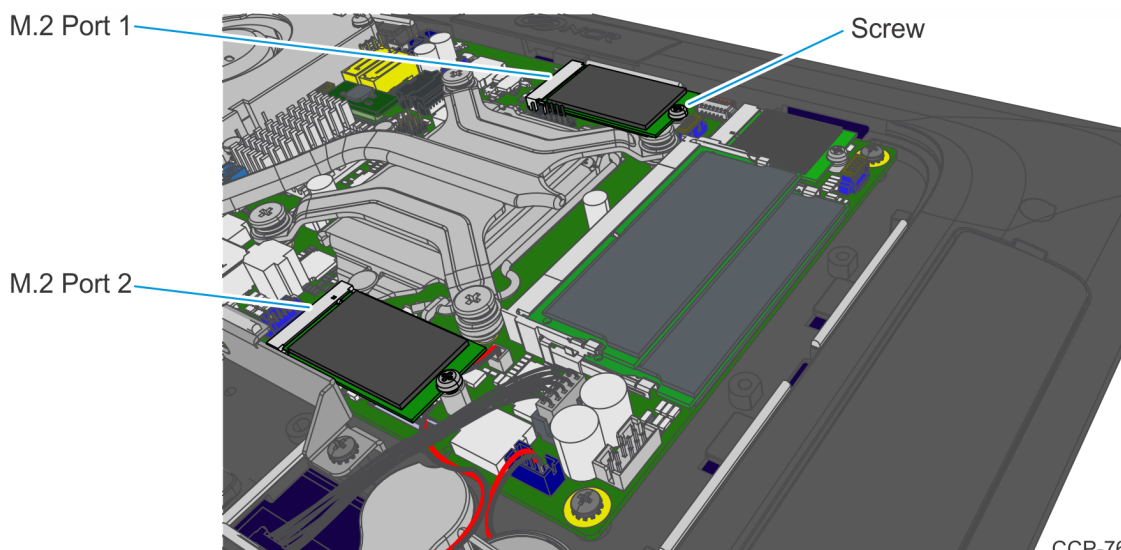


CCP-76915

7. Secure the M.2 SSD to the Motherboard with a screw.

Note

When installing the secondary M.2 SSD in M.2 Port 2, ensure cables are not pinched by the SSD and the SSD's mounting screw.



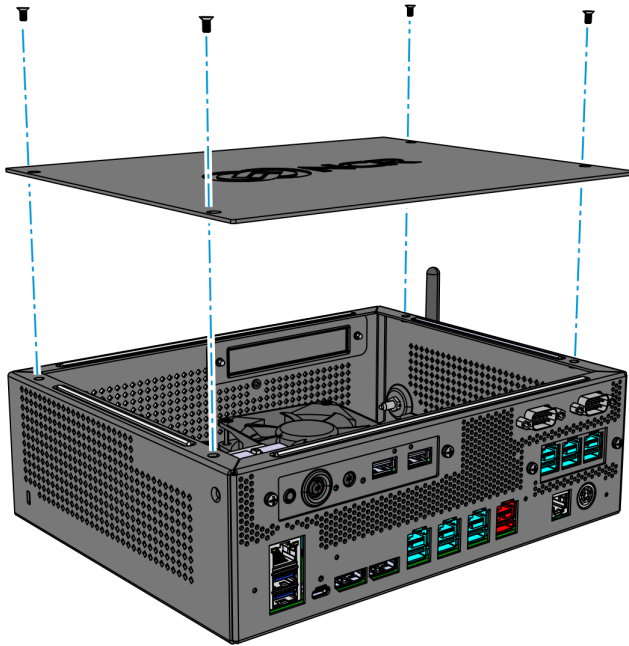
CCP-76916

8. Reinstall the Display Back Cover.
9. Reconnect the 180-degree USB-C Cable and Ethernet Cable.
10. Reinstall the Cable Cover.

NCR CX8 POS (7736)

1. Remove the Top Cover. There are two types of Top Covers:

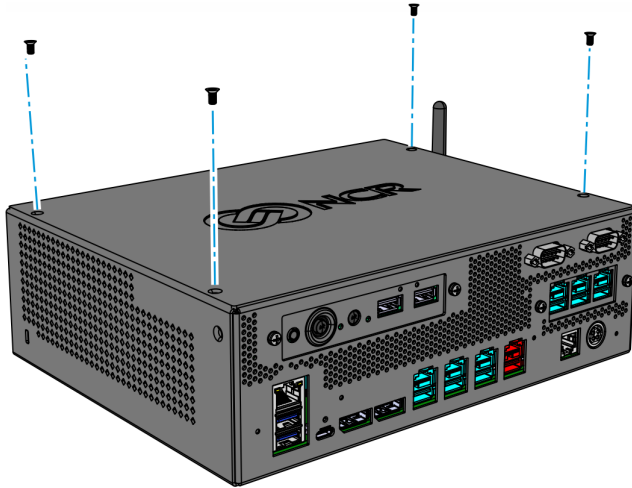
- **Top Cover without Duct** — Remove the four (4) screws securing the Top Cover to the chassis.



CCP-78820

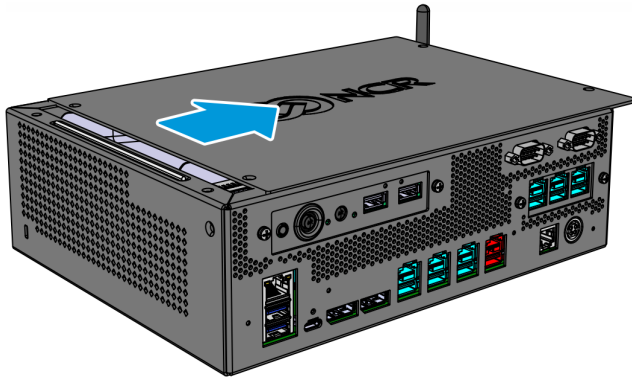
- **Top Cover with Duct**

- a. Remove the four (4) screws securing the Top Cover to the chassis.



CCP-78856

- b. Slide the Top Cover in the direction shown.

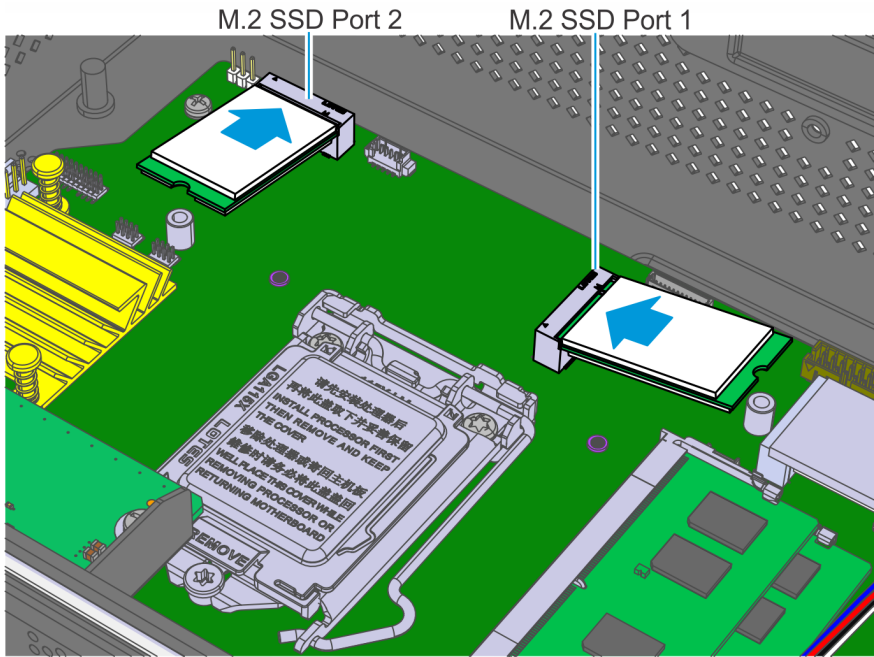


CCP-78857

2. Insert the M.2 SSD at an angle and slide it into the connector.

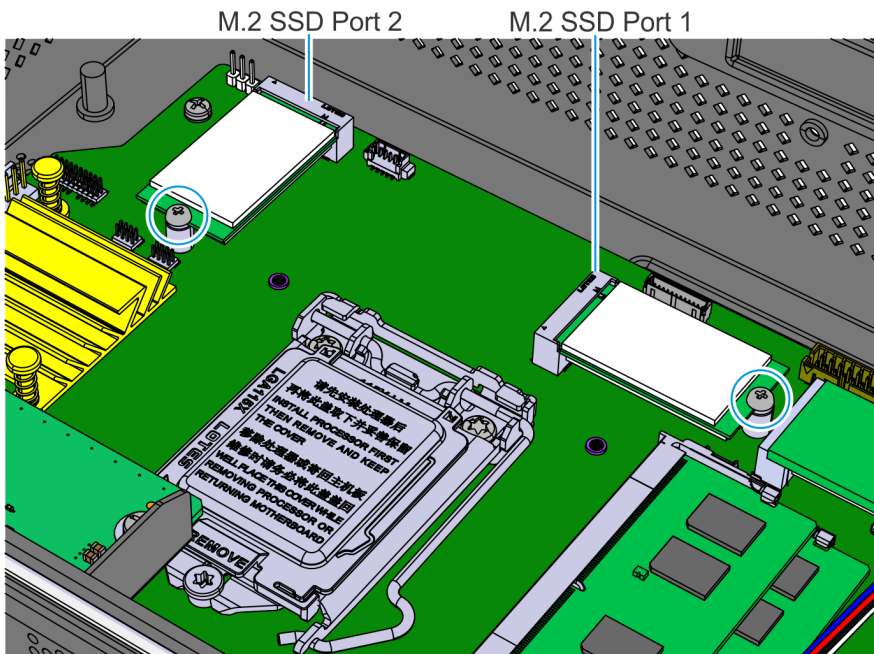
Note

There are two M.2 Ports on the Motherboard. The primary M.2 SSD should be installed in the M.2 Port 1, and the secondary M.2 SSD (for dual media) should be installed in the M.2 Port 2.



CCP-78826

3. Secure the M.2 SSD to the Motherboard with a screw.

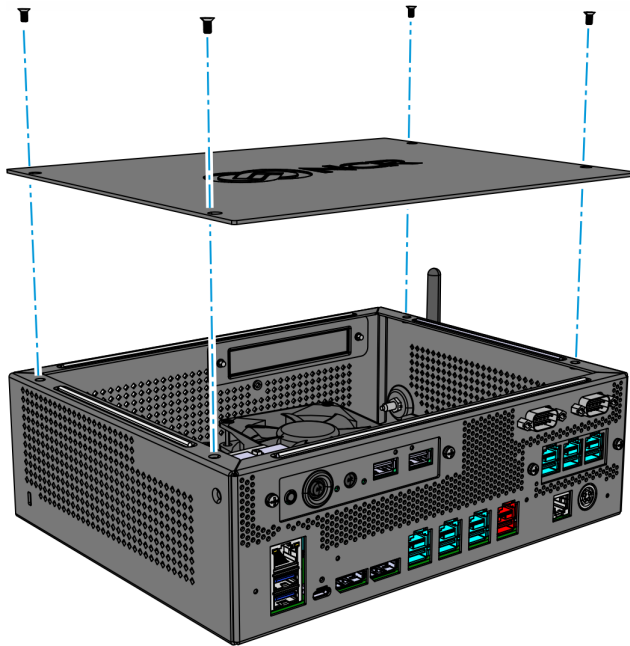


CCP-78824

Confidential and proprietary information of NCR Voyix.
Use and disclose solely pursuant to company instructions.

4. Reinstall the Top Cover.

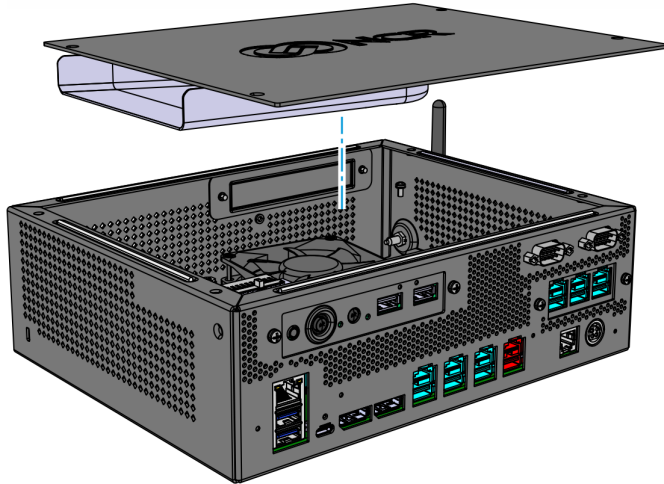
- **Top Cover without Duct** – Install the Top Cover on the chassis using four (4) screws.



CCP-78820

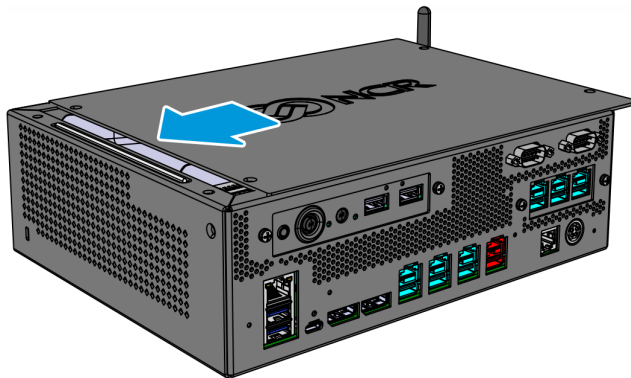
- **Top Cover with Duct**

- a. Set the Top Cover on the chassis.



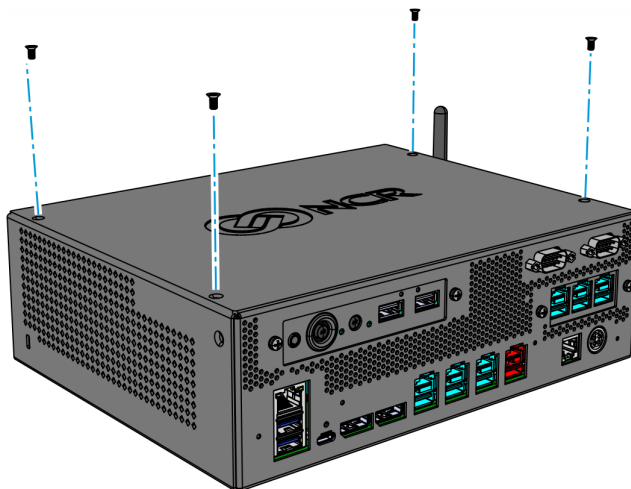
CCP-78858

- b. Slide the Top Cover in the direction shown to align the screw holes of the Cover with the screw holes of the chassis.



CCP-78859

- c. Secure the Top Cover with four (4) screws.



CCP-78856

Confidential and proprietary information of NCR Voyix.
Use and disclose solely pursuant to company instructions.