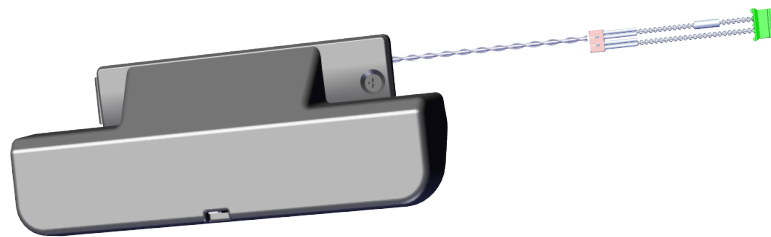




External Dual Speaker

Kit Instructions



7772-K179

Issue A

Copyright

The product described in this document is a licensed product of NCR Voyix Corporation.

NCR CX7 All-in-One POS (7772) is a trademark of NCR Voyix Corporation in the United States and/or other countries. Other product names mentioned in this publication may be trademarks or registered trademarks of their respective companies and are hereby acknowledged.

Where creation of derivative works, modifications or copies of this NCR Voyix copyrighted documentation is permitted under the terms and conditions of an agreement you have with NCR Voyix, NCR Voyix's copyright notice must be included.

It is the policy of NCR Voyix Corporation to improve products as new technology, components, software, and firmware become available. NCR Voyix, therefore, reserves the right to change specifications without prior notice.

All features, functions, and operations described herein may not be marketed by NCR Voyix in all parts of the world. In some instances, photographs are of equipment prototypes. Therefore, before using this document, consult with your NCR Voyix representative or NCR Voyix office for information that is applicable and current.

Copyright © 2024
By NCR Voyix Corporation
Atlanta, Georgia, USA
All Rights Reserved

Table of Contents

Copyright	2
External Dual Speaker	5
Kit Contents	5
Installation Procedure	6

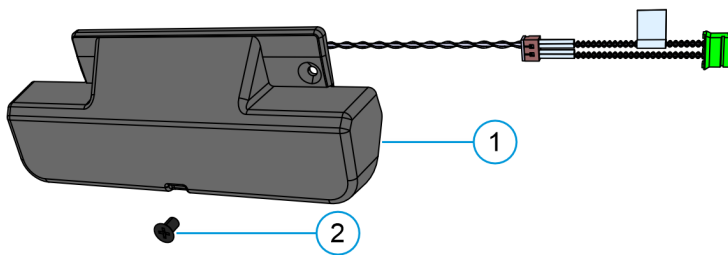
Revision Record

Issue	Date	Remarks
A	Dec 2024	First Issue

External Dual Speaker

This kit provides an External Dual Speaker for the NCR CX7 All-in-One POS (7772) (15" 4:3 or 15.6" 16:9 or 18.5" Display).

Kit Contents



CCP-85469

Item	Part Number	Description
	497-0536333	KIT - External Dual Speaker Module
1	External Dual Speaker Module	
	497-0535225	Housing, Module, Dual Speaker
	497-0535799	Dual Chin Speaker Assembly, CX
	497-0535226	Grill, Module, Dual Speaker
	497-0535796	Extension Cable, Dual Chin Speaker, CX
2	006-8626235	Screw, M3x5, Steel, Flat Head, Phillips, Black Oxide

Installation Procedure

Warning

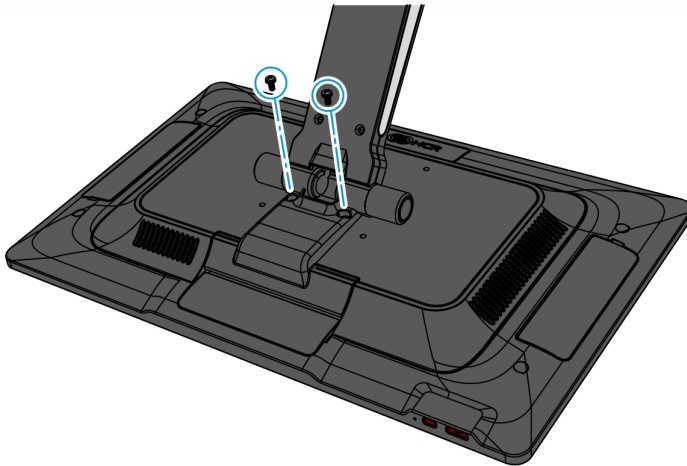
Disconnect the AC power cord from the AC outlet and wait 30 seconds before servicing the terminal.

1. Lay the Display face down on a flat surface.

Note

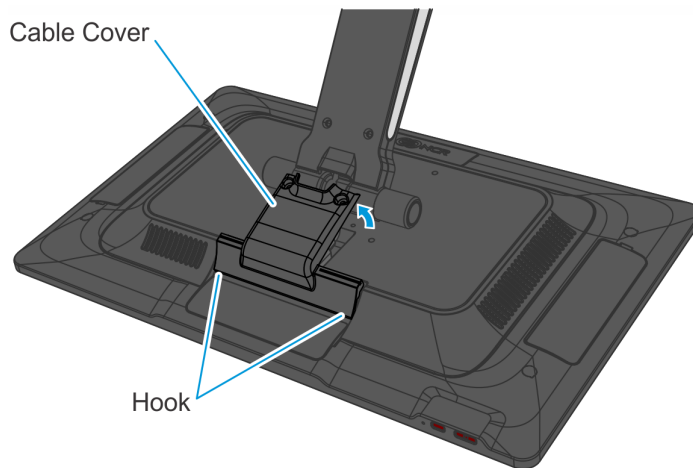
Always use a soft material (cloth, foam) to protect the display screen when placing the terminal face down.

2. Remove the Cable Cover.
 - a. Remove the two (2) screws that secure the Cable Cover to the Back Cover.



CCP-77013

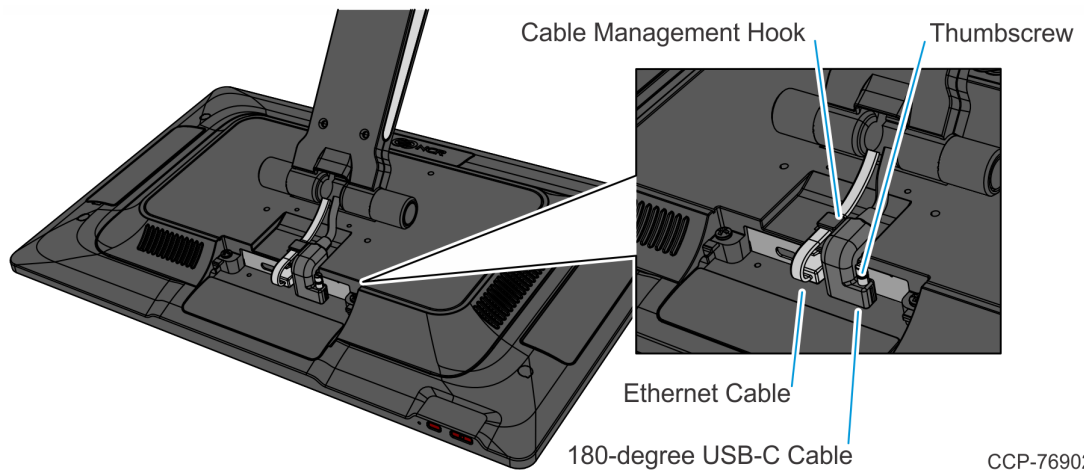
- b. Rotate and unhook the Cable Cover from the Back Cover.



CCP-77014

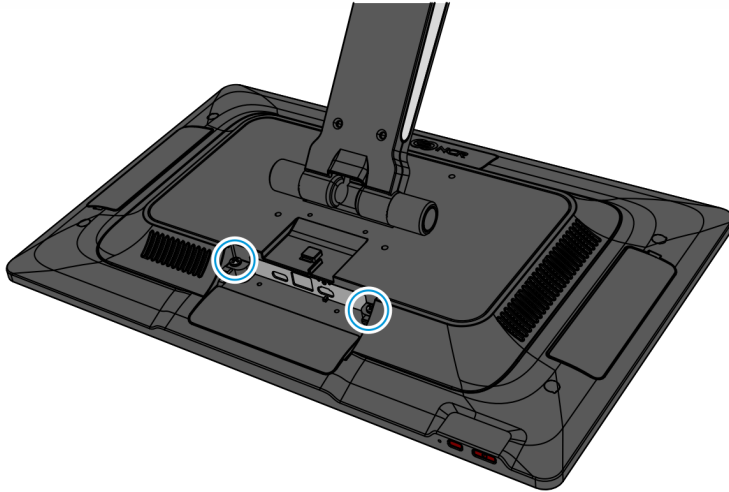
3. Disconnect the Cables.

- a. Loosen the thumbscrew of the 180-degree USB-C Cable then disconnect the Cable.
- b. Remove the Ethernet Cable from the Cable Management Hook then disconnect the Cable.



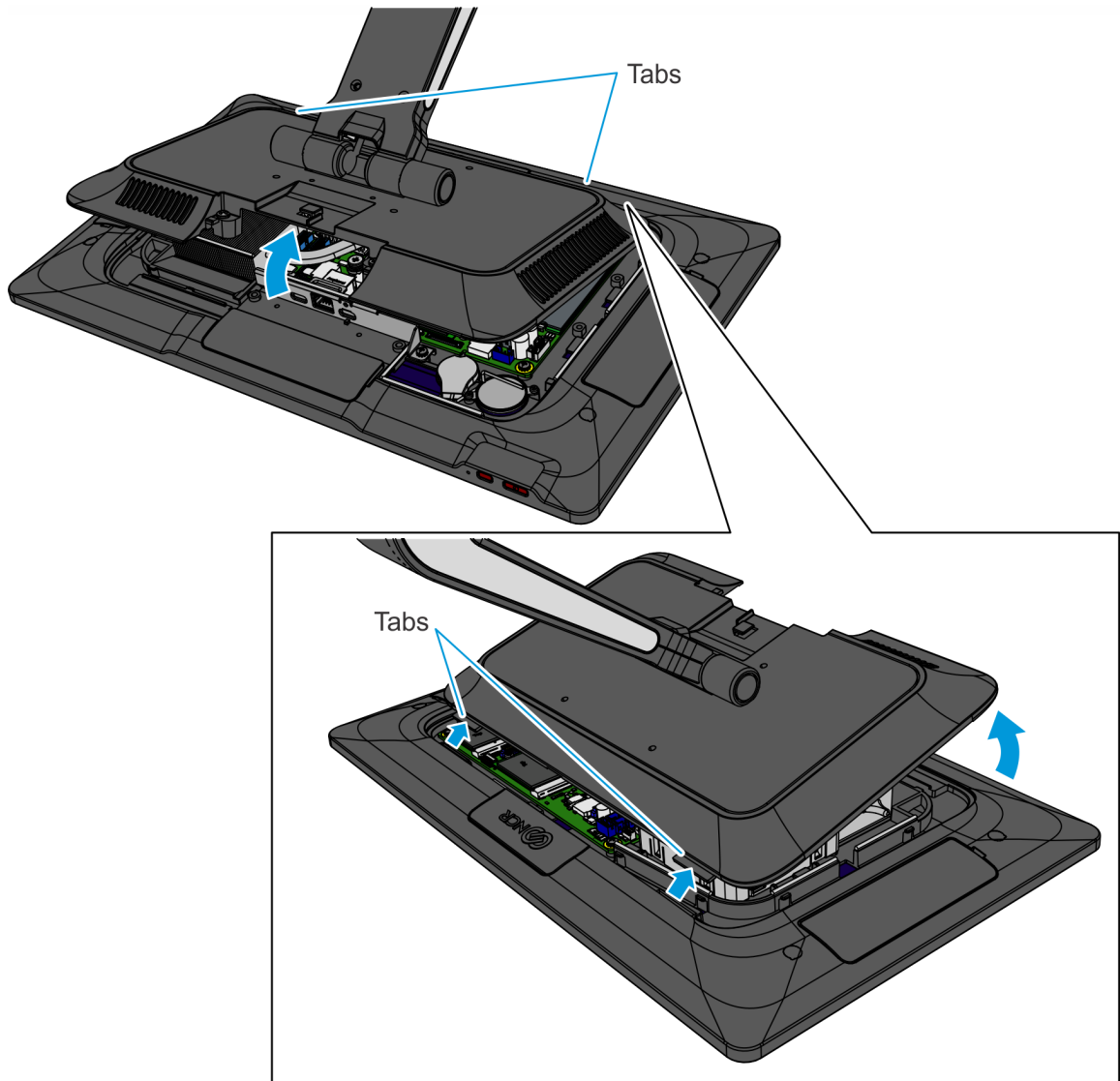
CCP-76902

4. Loosen the two (2) captive screws that secure the Back Cover to the Display.



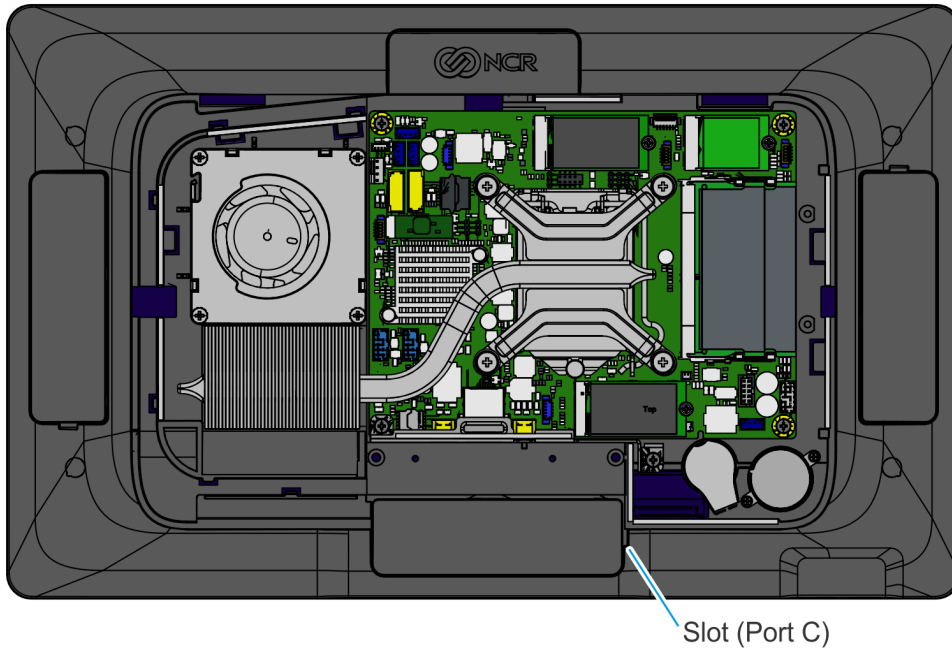
CCP-76903

5. Rotate the Back Cover away from the Display and unhook the Back Cover Tabs.



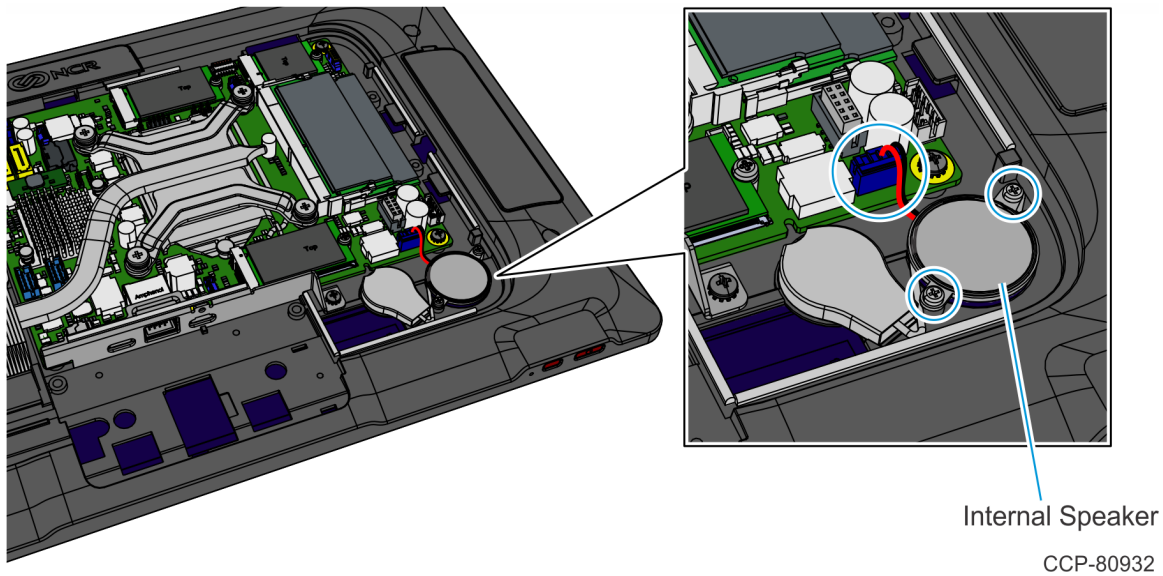
CCP-78836

6. Insert a flat screw driver in the slot of Port C to unsnap the Plate from the display housing.

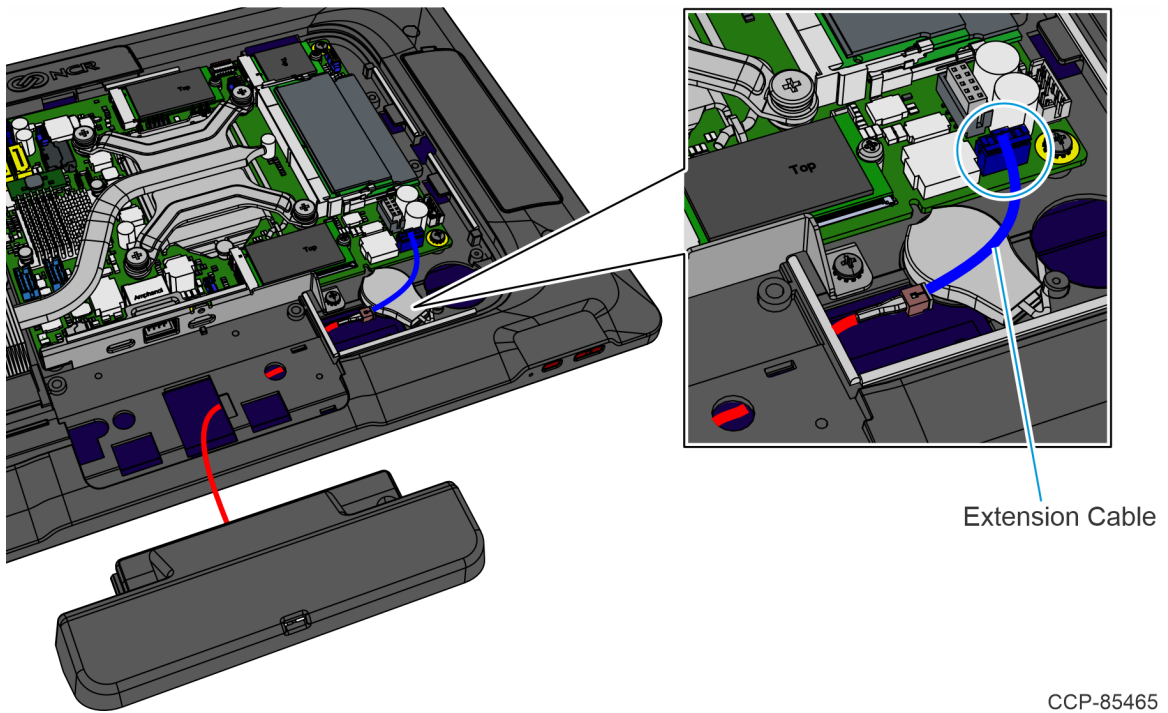


CCP-78243

7. Disconnect the Internal Speaker Cable from the Motherboard and remove the Internal Speaker (2 screws).

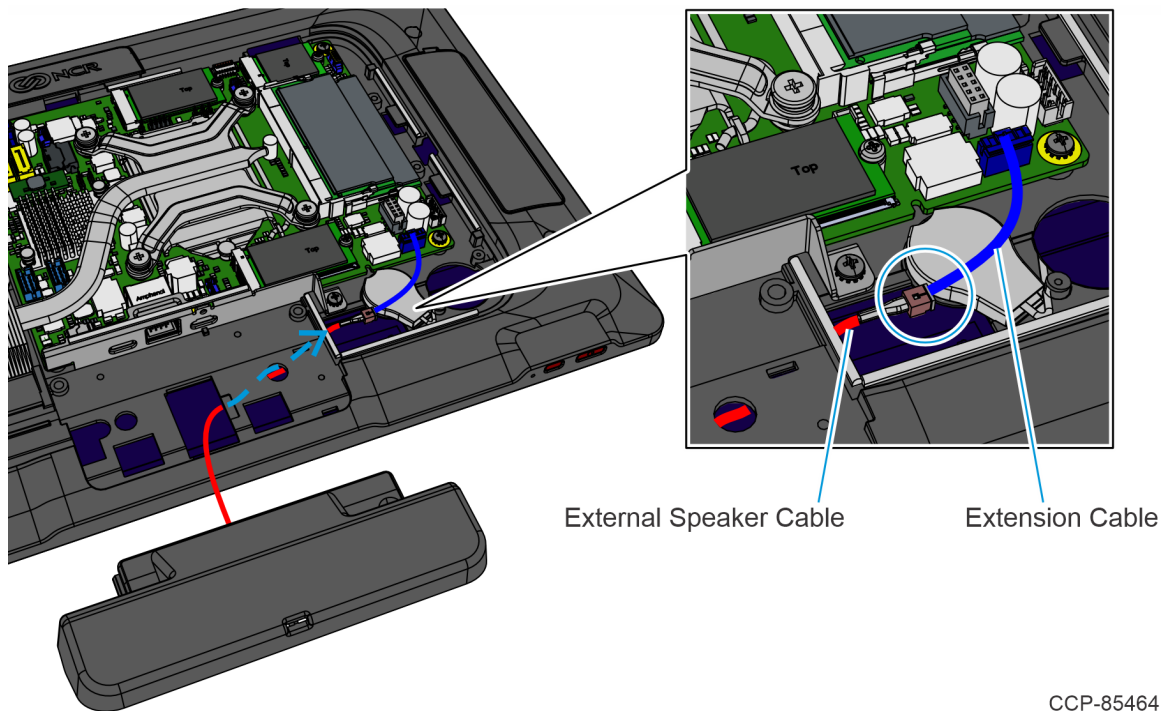


8. Connect the Extension Cable to the Motherboard.

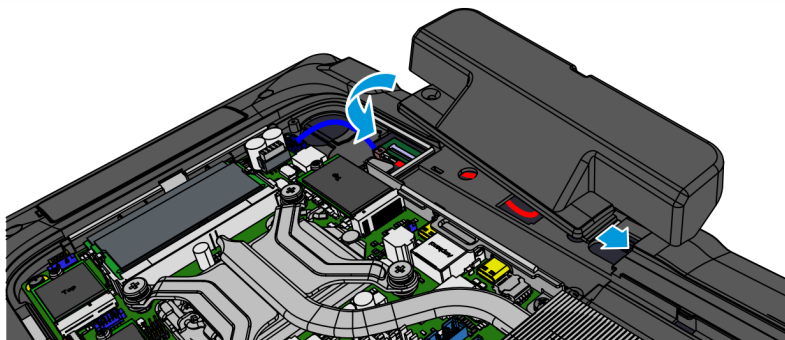


Confidential and proprietary information of NCR Voyix.
Use and disclose solely pursuant to company instructions.

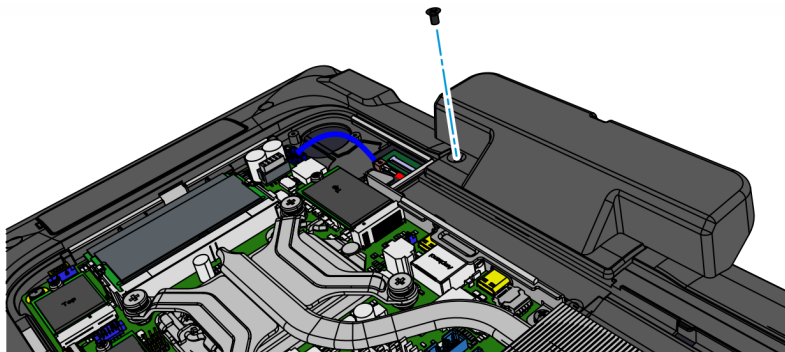
9. Route the External Speaker Cable through the port opening as shown and connect the External Speaker Cable to the Extension Cable.



10. Hook the External Speaker into the display housing and snap into place.



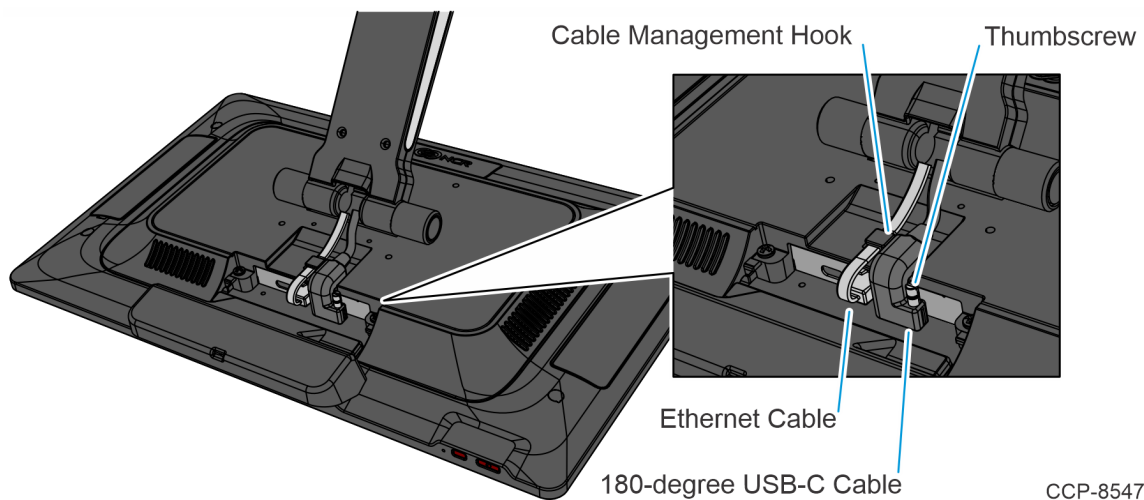
11. Secure the External Speaker with the flat head screw provided in the kit.



12. Reinstall the Display Back Cover.
13. Reconnect the Cables on the back of the Display.
 - a. Connect the Ethernet Cable until latched and secure the cable under the Cable Management Hook.
 - b. Connect the 180-degree USB-C Cable and tighten the thumbscrew until the thumbscrew contacts the overmold.

 **Caution**

Do not overtighten the thumbscrew.



CCP-85470

14. Reinstall the Cable Cover.