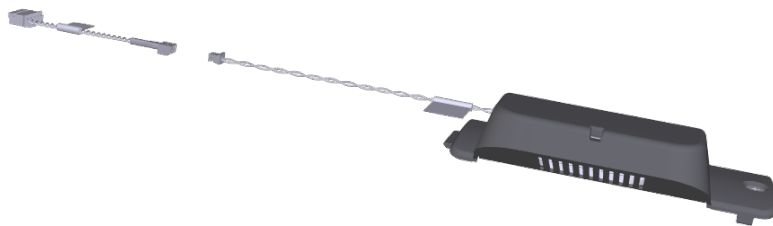




External Speaker

Kit Instructions



7772-K169

Issue B

Copyright

The product described in this document is a licensed product of NCR Voyix Corporation.

NCR CX7 All-in-One POS (7772) is a trademark of NCR Voyix Corporation in the United States and/or other countries. Other product names mentioned in this publication may be trademarks or registered trademarks of their respective companies and are hereby acknowledged.

Where creation of derivative works, modifications or copies of this NCR Voyix copyrighted documentation is permitted under the terms and conditions of an agreement you have with NCR Voyix, NCR Voyix's copyright notice must be included.

It is the policy of NCR Voyix Corporation to improve products as new technology, components, software, and firmware become available. NCR Voyix, therefore, reserves the right to change specifications without prior notice.

All features, functions, and operations described herein may not be marketed by NCR Voyix in all parts of the world. In some instances, photographs are of equipment prototypes. Therefore, before using this document, consult with your NCR Voyix representative or NCR Voyix office for information that is applicable and current.

Copyright © 2021–2024
By NCR Voyix Corporation
Atlanta, Georgia, USA
All Rights Reserved

Table of Contents

Copyright	2
External Speaker	5
Kit Contents	5
Installation Procedure	6

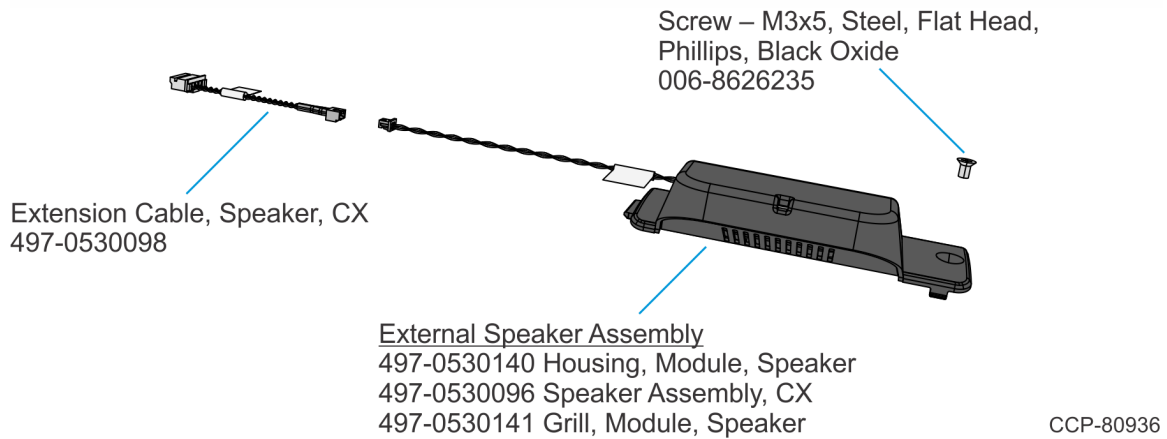
Revision Record

Issue	Date	Remarks
A	Jun 2021	First Issue
B	Dec 2021	Added Warning statement

External Speaker

This kit provides an External Speaker for NCR CX7 All-in-One POS (7772).

Kit Contents

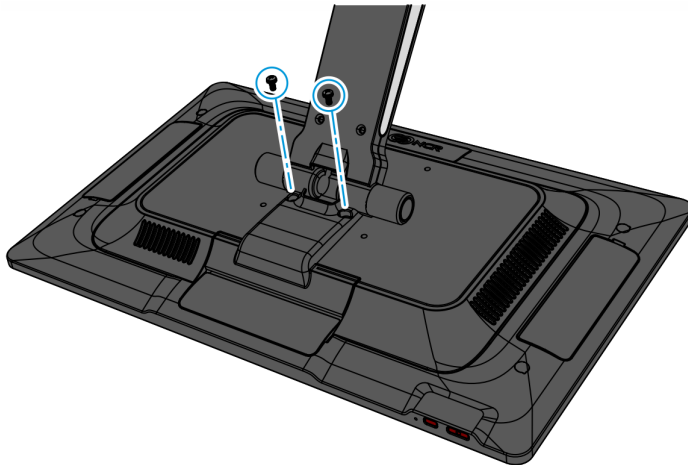


Installation Procedure

Warning

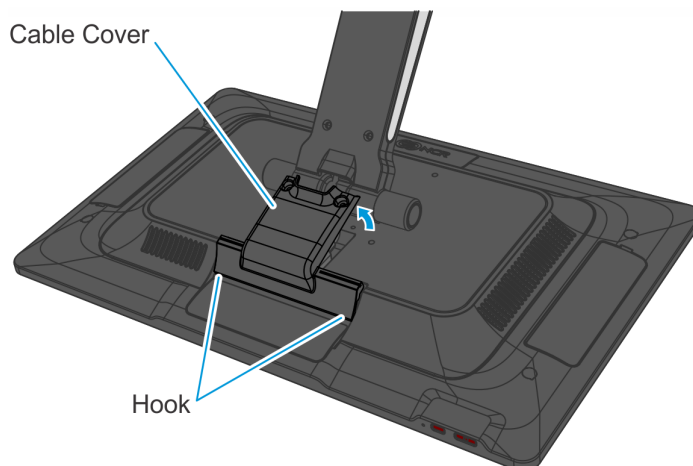
Disconnect the AC power cord from the AC outlet and wait 30 seconds before servicing the terminal.

1. Lay the Display face down on a flat surface.
Always use a soft material (cloth, foam) to protect the display screen when placing the terminal face down.
2. Remove the Cable Cover.
 - a. Remove the two (2) screws that secure the Cable Cover to the Back Cover.



CCP-77013

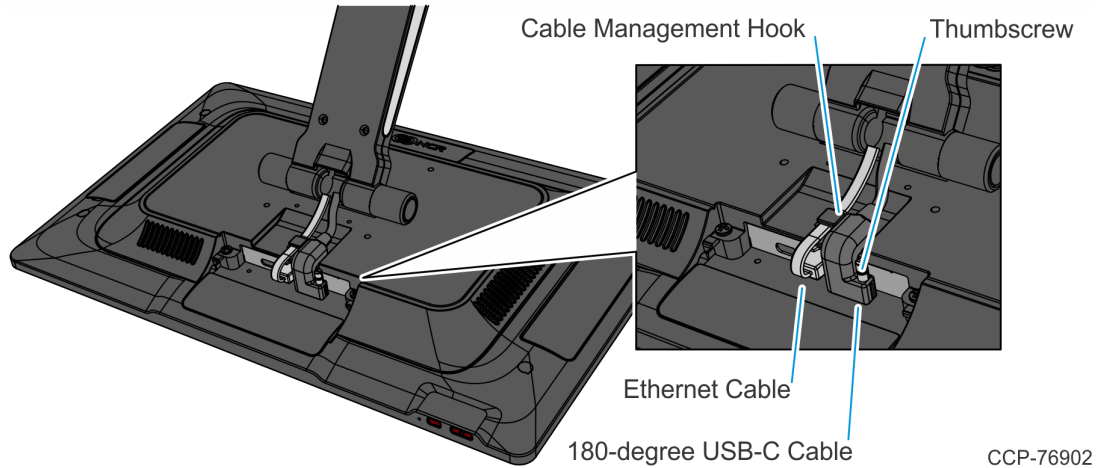
- b. Rotate and unhook the Cable Cover from the Back Cover.



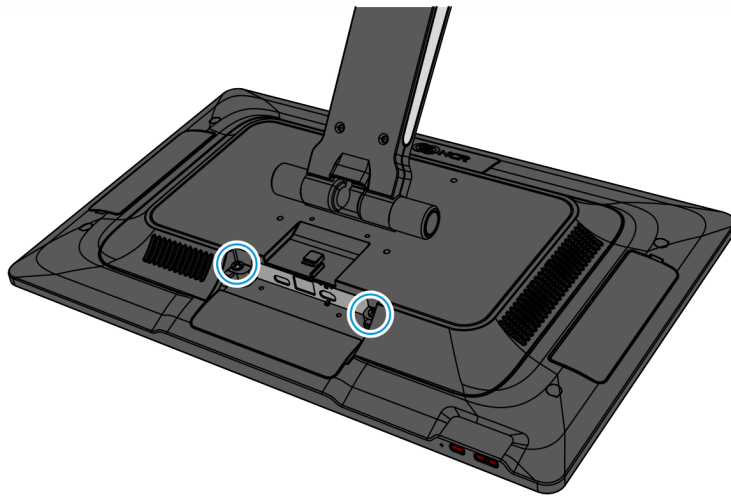
CCP-77014

3. Disconnect the Cables.

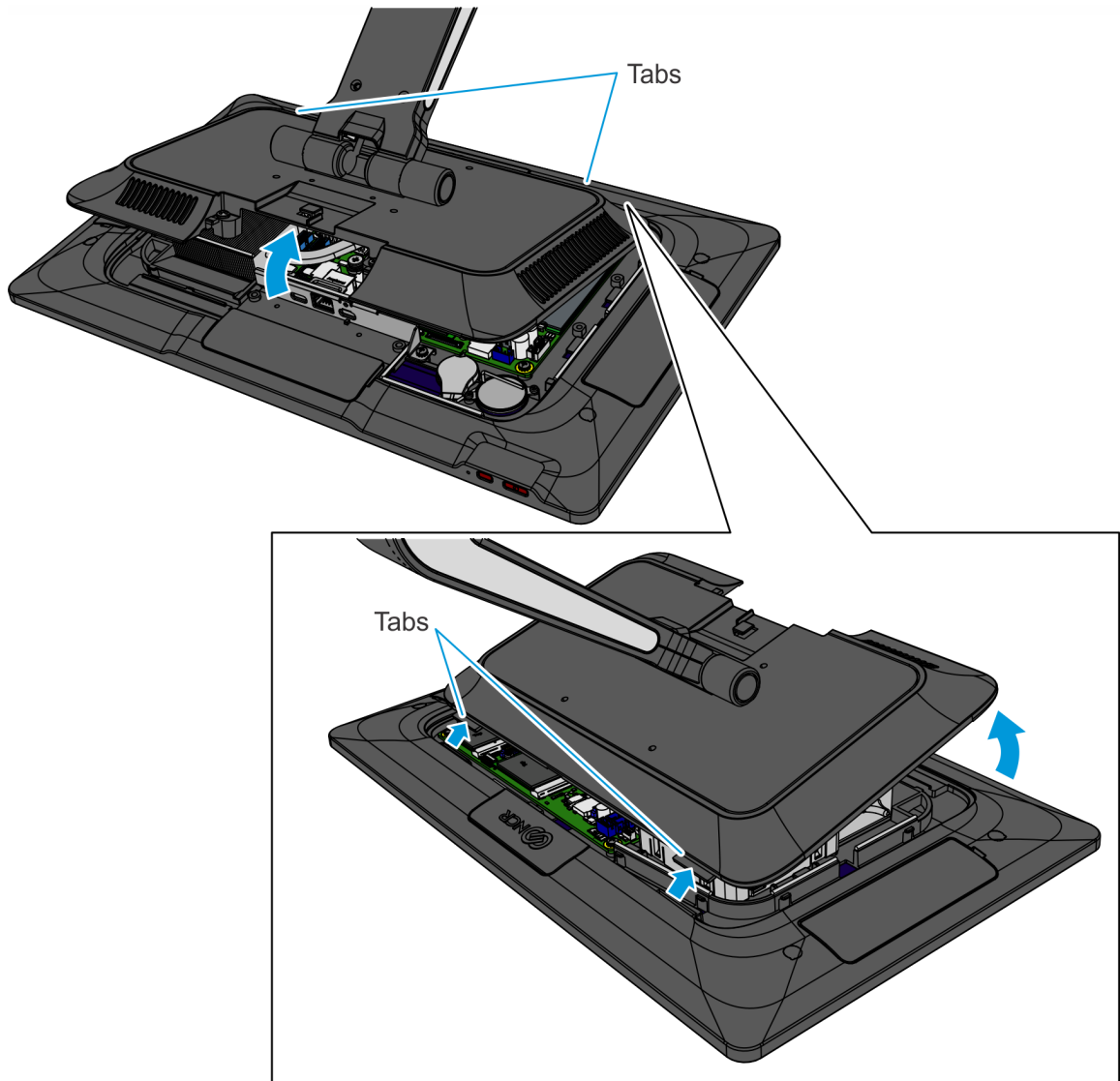
- a. Loosen the thumbscrew of the 180-degree USB-C Cable then disconnect the Cable.
- b. Remove the Ethernet Cable from the Cable Management Hook then disconnect the Cable.



4. Loosen the two (2) captive screws that secure the Back Cover to the Display.

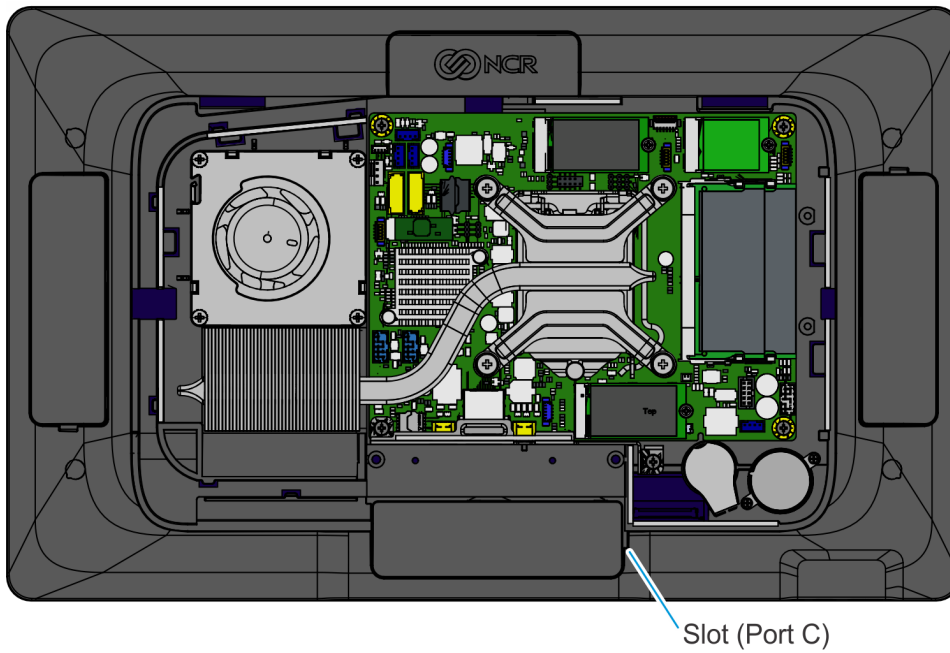


5. Rotate the Back Cover away from the Display and unhook the Back Cover Tabs.



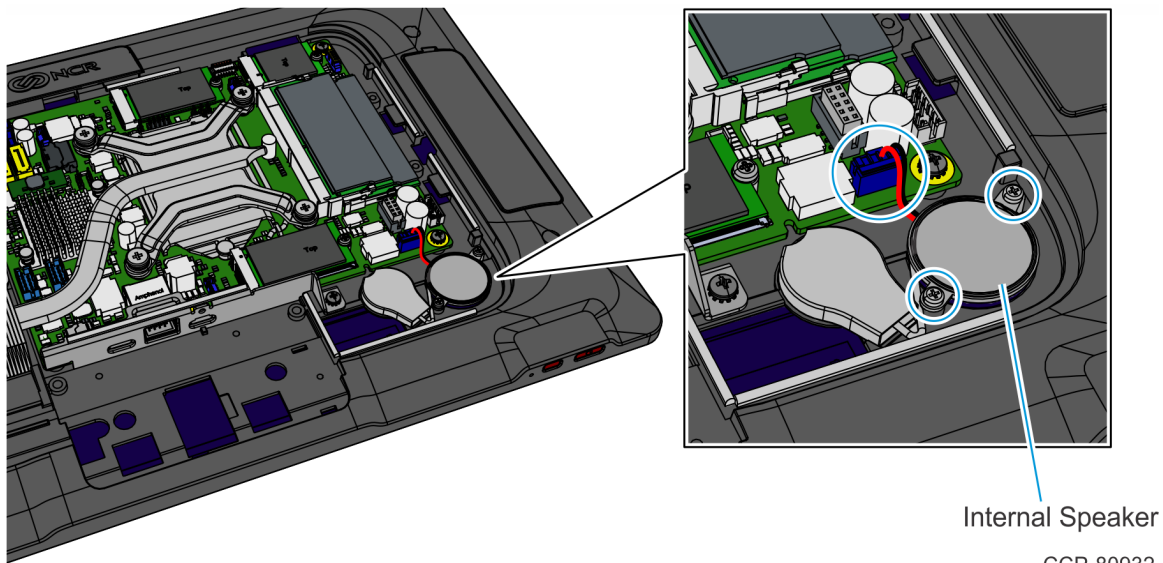
CCP-78836

6. Insert a flat screw driver in the slot of Port C to unsnap the Plate from the display housing.



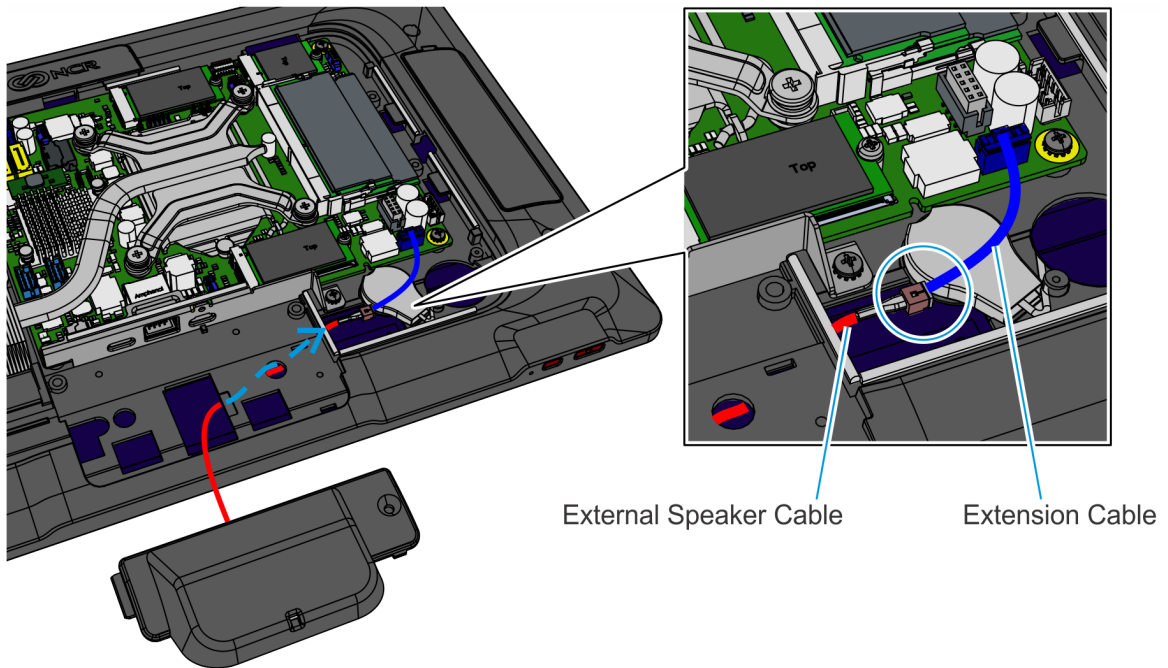
CCP-78243

7. Disconnect the Internal Speaker Cable from the Motherboard and remove the Internal Speaker (2 screws).



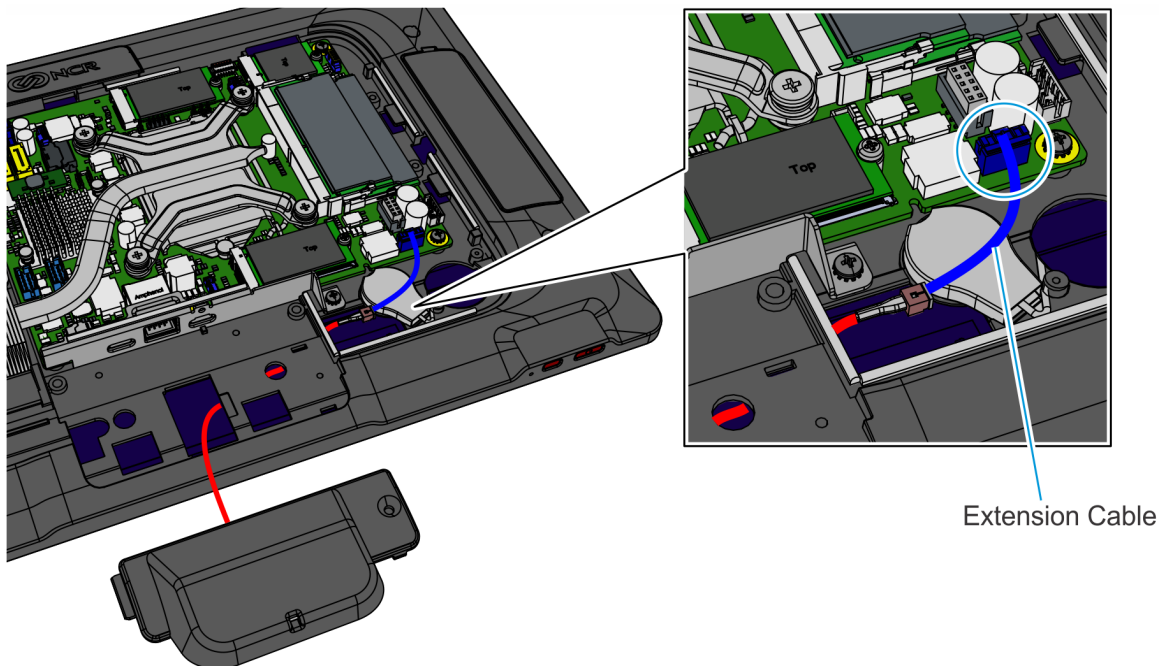
CCP-80932

8. Route the External Speaker Cable through the port opening as shown and connect the External Speaker Cable to the Extension Cable.



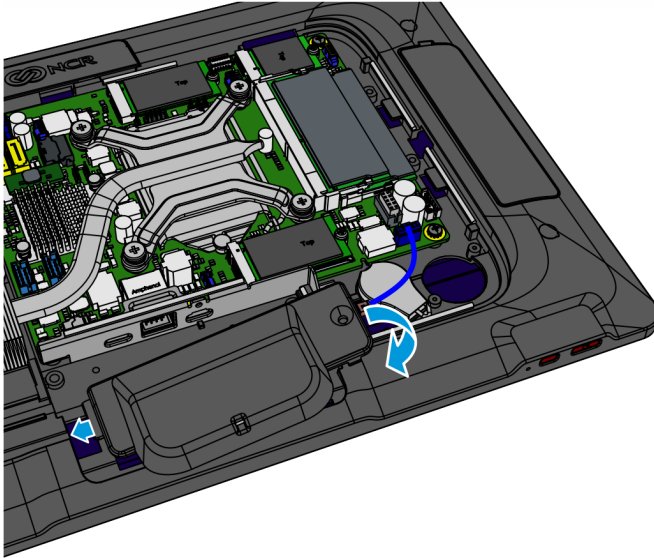
CCP-80930

9. Connect the Extension Cable to the Motherboard.



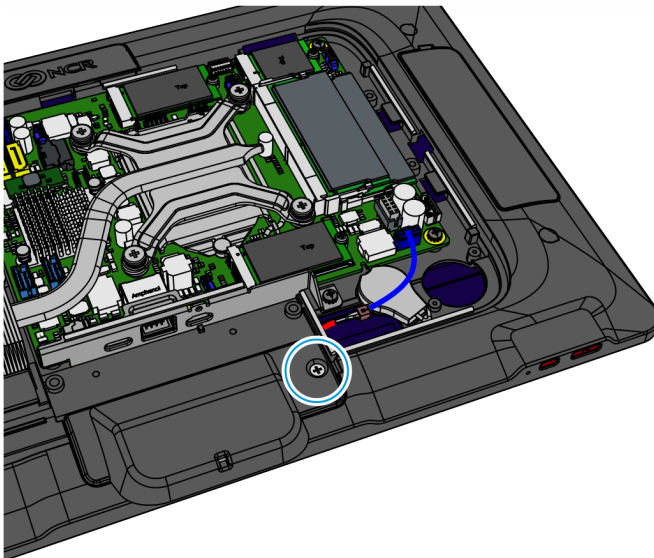
CCP-80931

10. Hook the External Speaker into the display housing and snap into place.



CCP-80935

11. Secure the External Speaker with a screw.



CCP-80933

12. Reinstall the Display Back Cover.
13. Reconnect the 180-degree USB-C Cable and Ethernet Cable.
14. Reinstall the Cable Cover.

Confidential and proprietary information of NCR Voyix.
Use and disclose solely pursuant to company instructions.