



UV Bill Validator, CX7

Kit Instructions



7772-K157

Issue B

Copyright

The product described in this document is a licensed product of NCR Voyix Corporation.

NCR CX7 All-in-One POS (7772) is a trademark of NCR Voyix Corporation in the United States and/or other countries. Other product names mentioned in this publication may be trademarks or registered trademarks of their respective companies and are hereby acknowledged.

Where creation of derivative works, modifications or copies of this NCR Voyix copyrighted documentation is permitted under the terms and conditions of an agreement you have with NCR Voyix, NCR Voyix's copyright notice must be included.

It is the policy of NCR Voyix Corporation to improve products as new technology, components, software, and firmware become available. NCR Voyix, therefore, reserves the right to change specifications without prior notice.

All features, functions, and operations described herein may not be marketed by NCR Voyix in all parts of the world. In some instances, photographs are of equipment prototypes. Therefore, before using this document, consult with your NCR Voyix representative or NCR Voyix office for information that is applicable and current.

Copyright © 2020–2024
By NCR Voyix Corporation
Atlanta, Georgia, USA
All Rights Reserved

Table of Contents

Copyright	2
Side Mount UV Bill Validator, CX7	5
Kit Contents	5
Installation Procedure	6

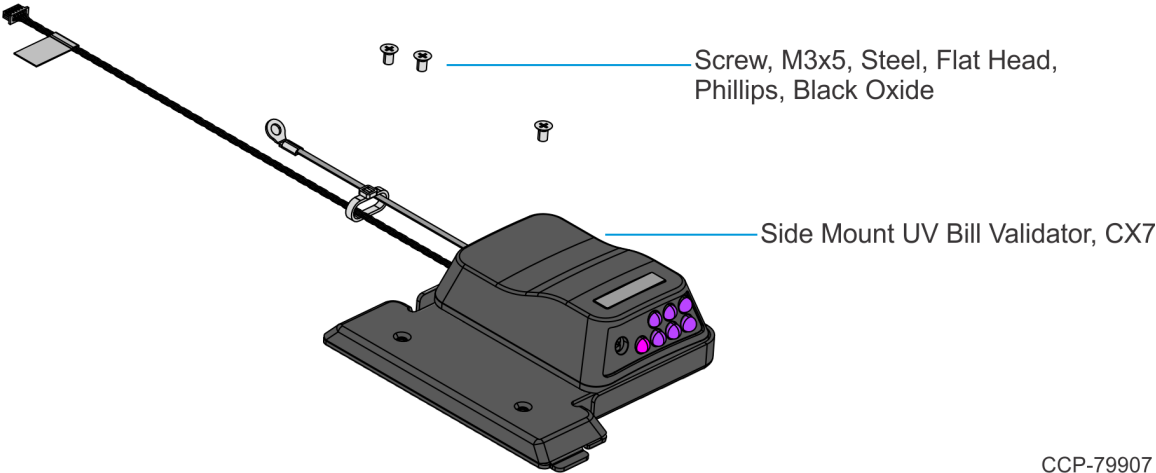
Revision Record

Issue	Date	Remarks
A	Dec 2020	First Issue
B	Dec 2021	Added Warning statement

Side Mount UV Bill Validator, CX7

This kit provides a UV Bill Validator for Port B of NCR CX7 All-in-One POS (7772).

Kit Contents



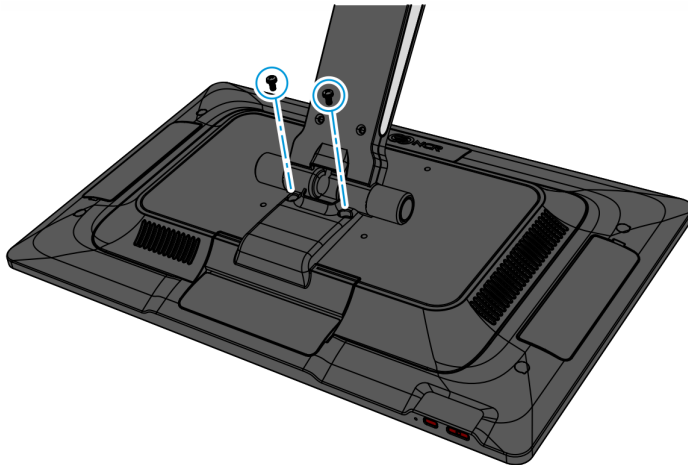
CCP-79907

Installation Procedure

Warning

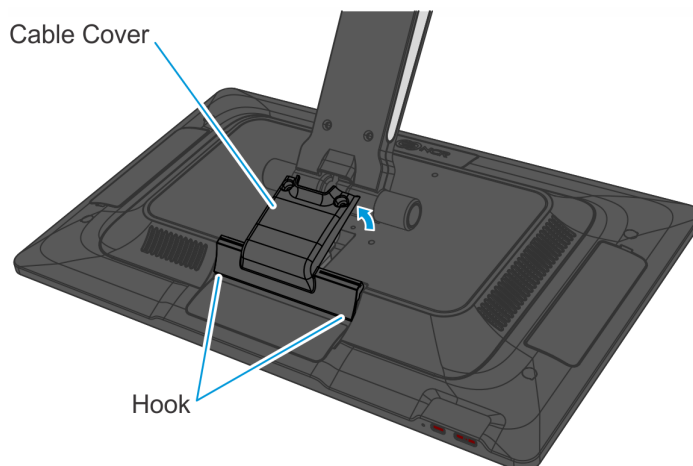
Disconnect the AC power cord from the AC outlet and wait 30 seconds before servicing the terminal.

1. Lay the Display face down on a flat surface.
Always use a soft material (cloth, foam) to protect the display screen when placing the terminal face down.
2. Remove the Cable Cover.
 - a. Remove the two (2) screws that secure the Cable Cover to the Back Cover.



CCP-77013

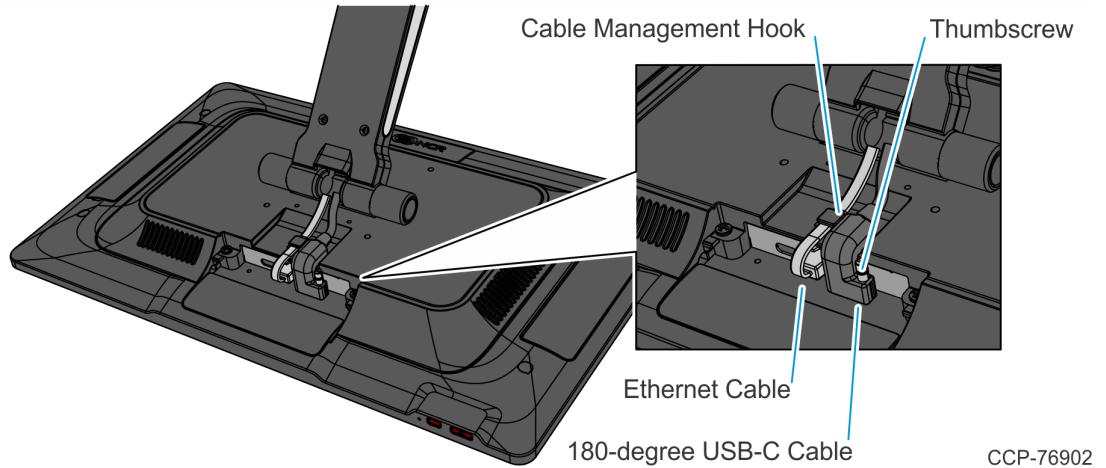
- b. Rotate and unhook the Cable Cover from the Back Cover.



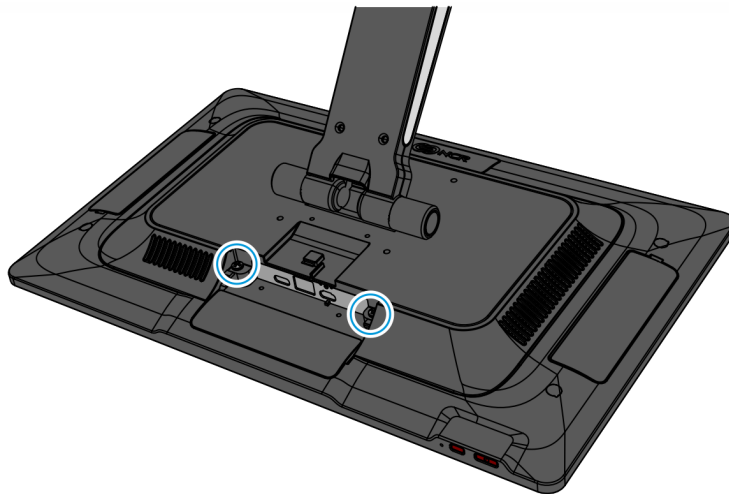
CCP-77014

3. Disconnect the Cables.

- a. Loosen the thumbscrew of the 180-degree USB-C Cable then disconnect the Cable.
- b. Remove the Ethernet Cable from the Cable Management Hook then disconnect the Cable.

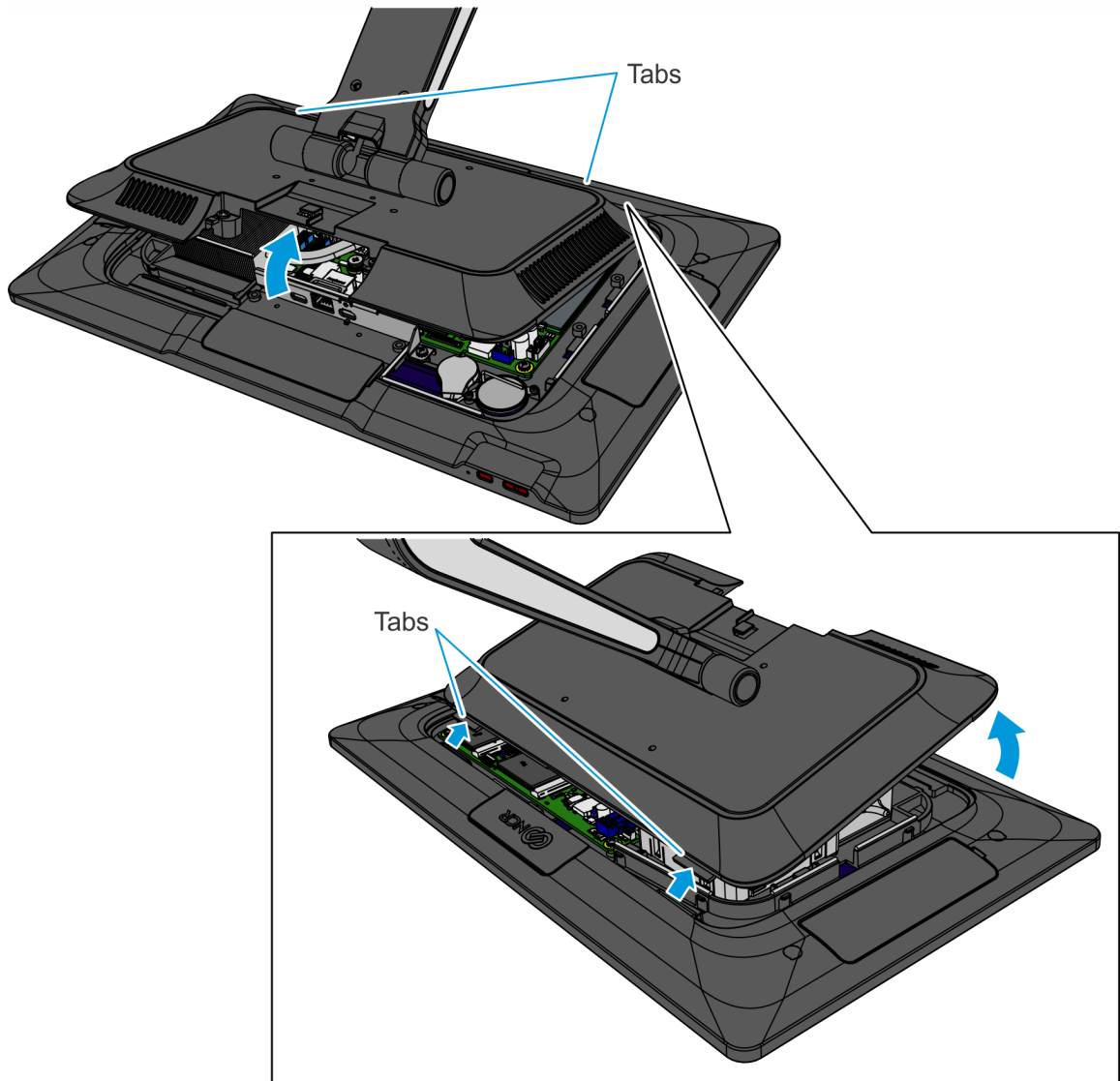


4. Loosen the two (2) captive screws that secure the Back Cover to the Display.



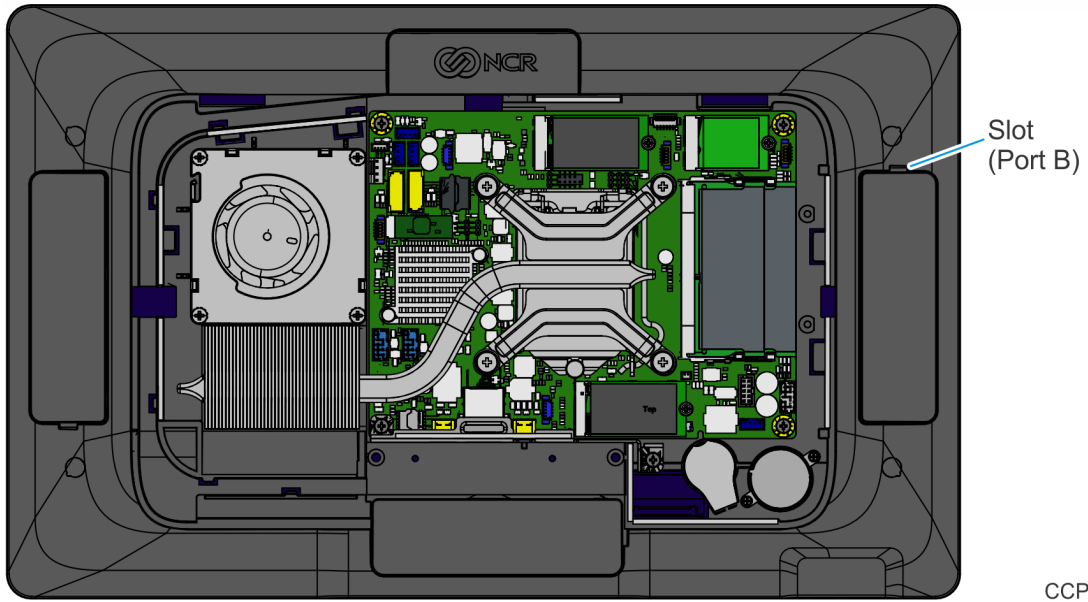
CCP-76903

5. Rotate the Back Cover away from the Display and unhook the Back Cover Tabs.

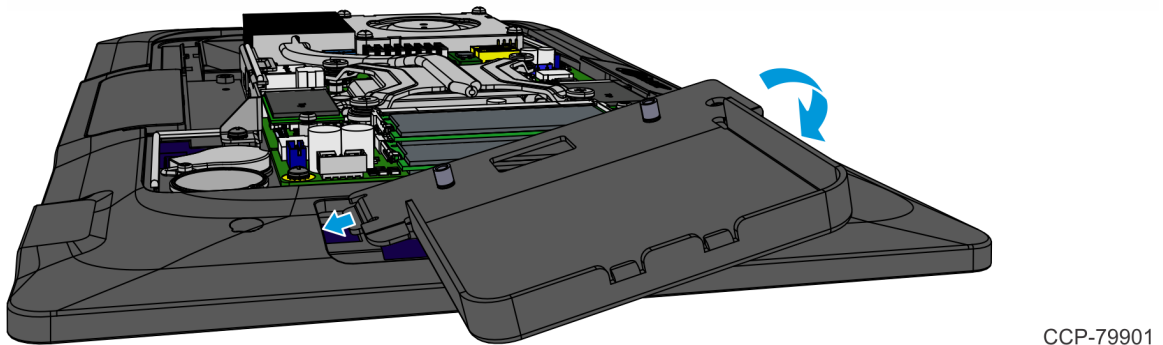


CCP-78836

6. Insert a flat screw driver in the slot of Port B to unsnap the Plate from the display housing.

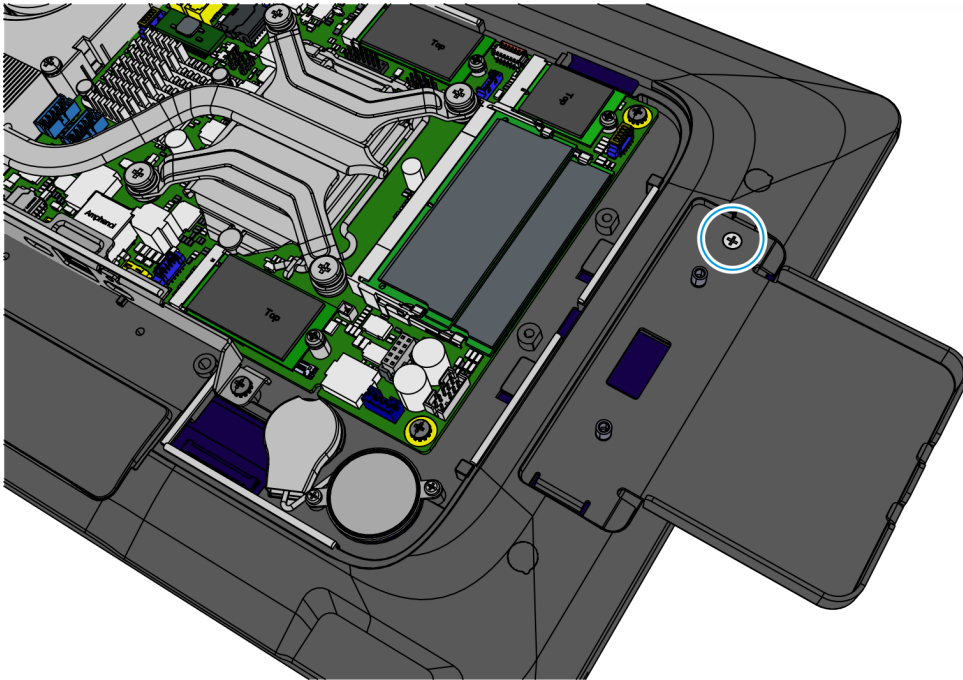


7. Hook the UV Bill Validator Front Housing into the display housing and snap into place.



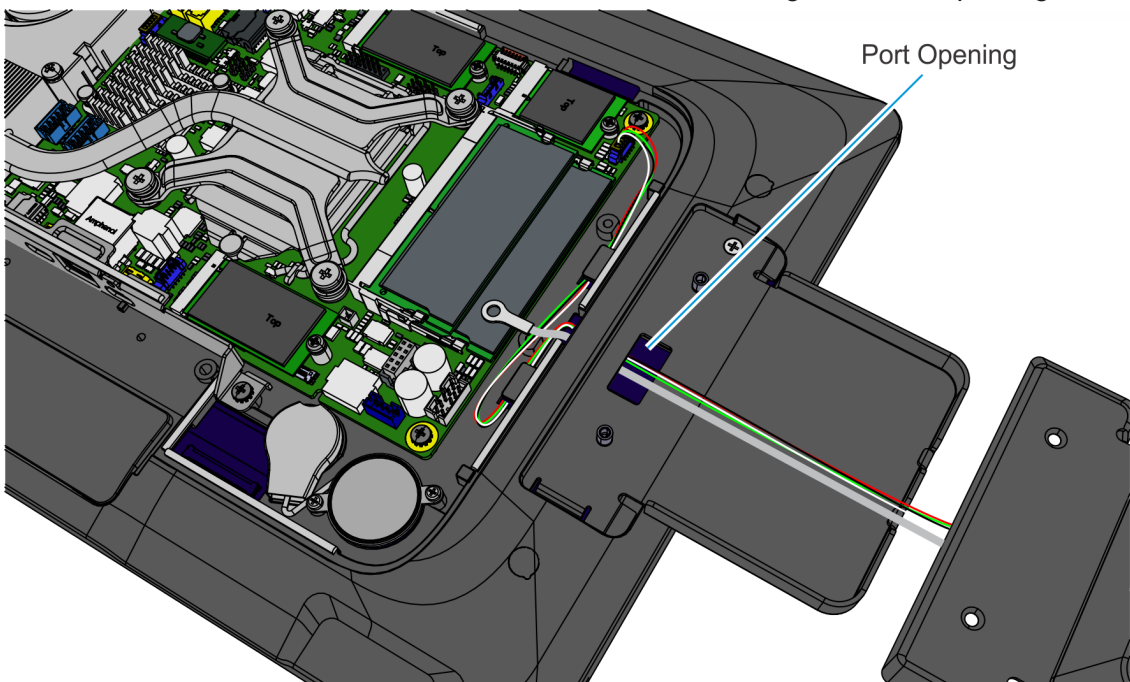
Confidential and proprietary information of NCR Voyix.
Use and disclose solely pursuant to company instructions.

8. Secure the Bill Validator Front Housing with a screw.



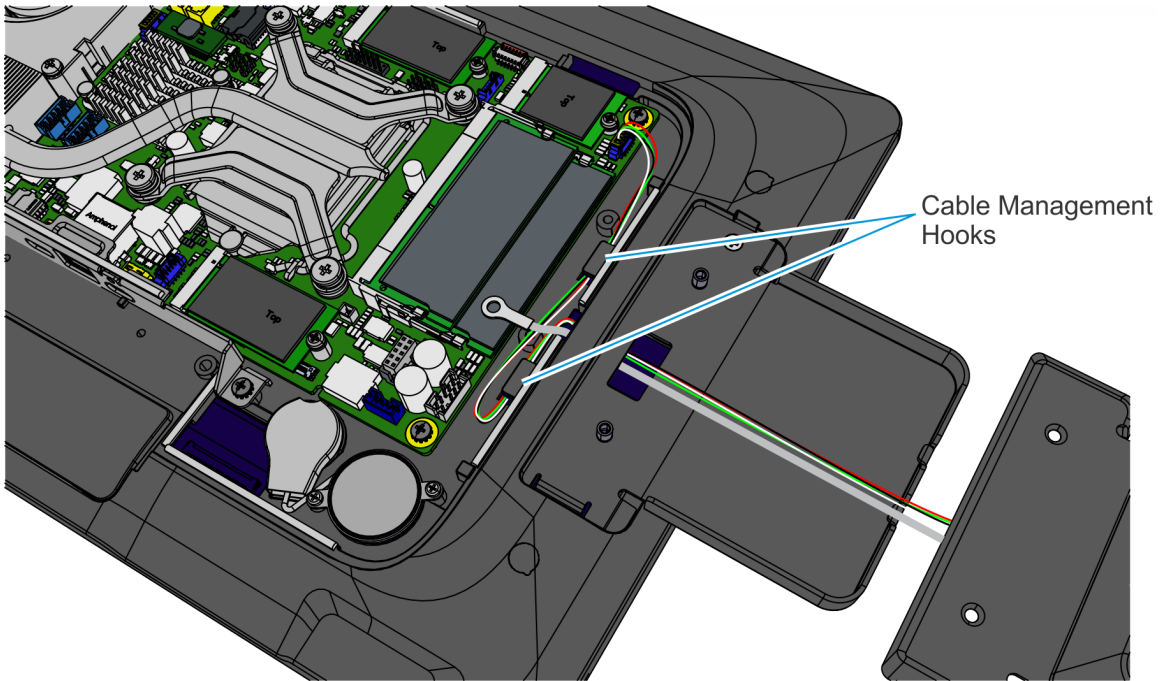
CCP-79902

9. Route the Bill Validator Cable and the Ground Cable through the Port opening.

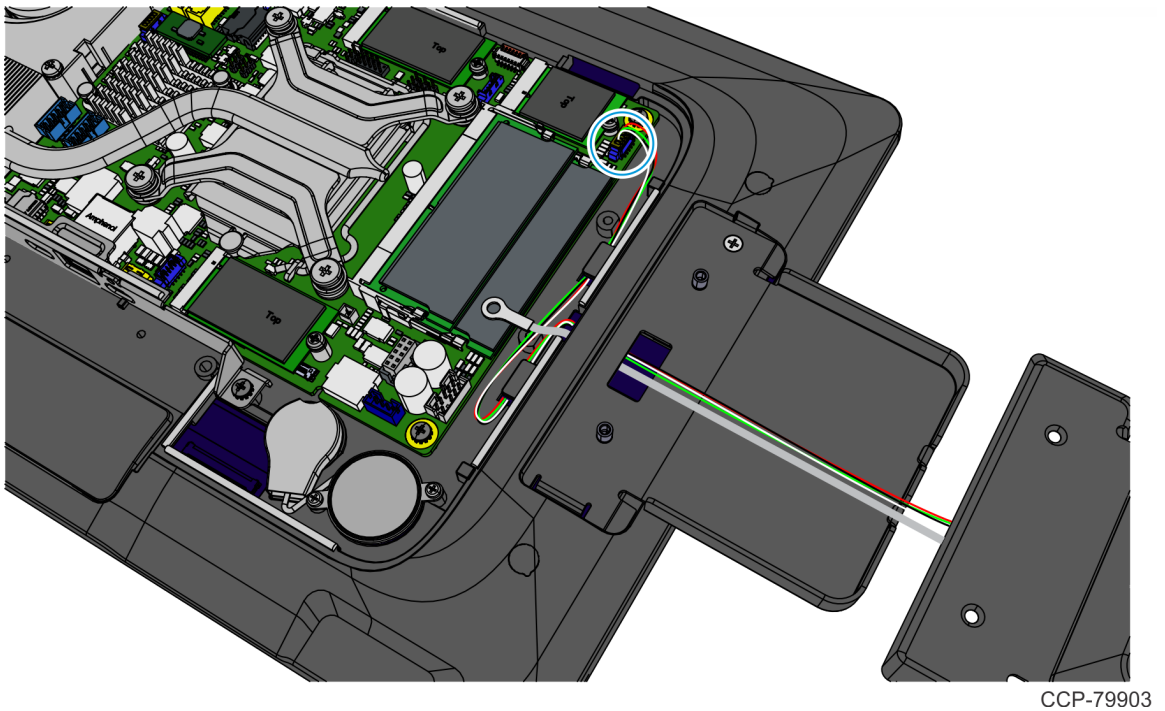


CCP-79905

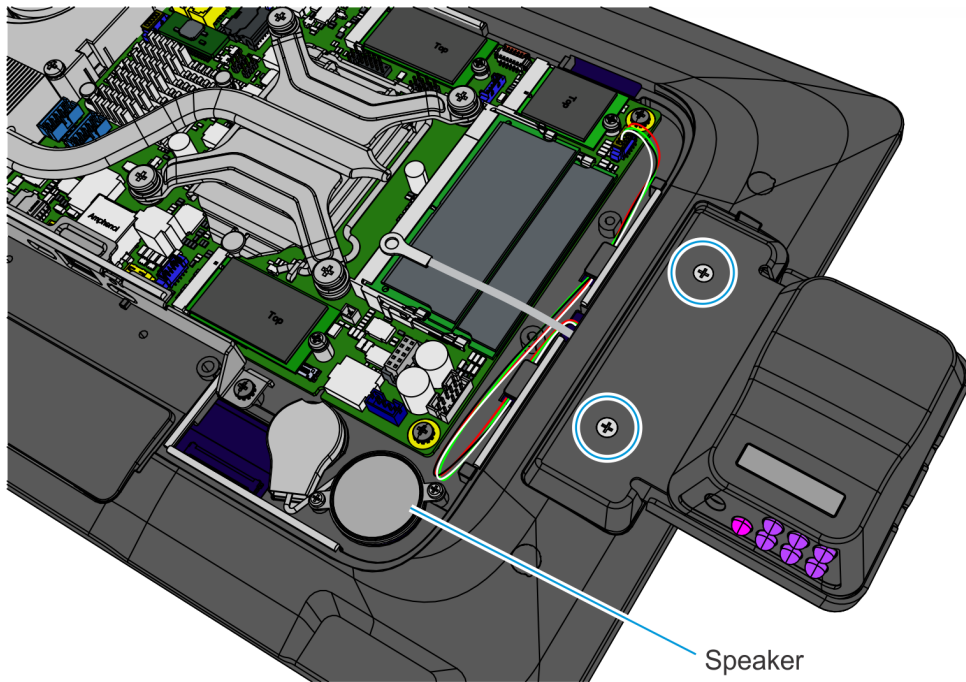
10. Route and secure the Bill Validator Cable under the Cable Management Hooks as shown.



11. Connect the Bill Validator Cable to the Motherboard.

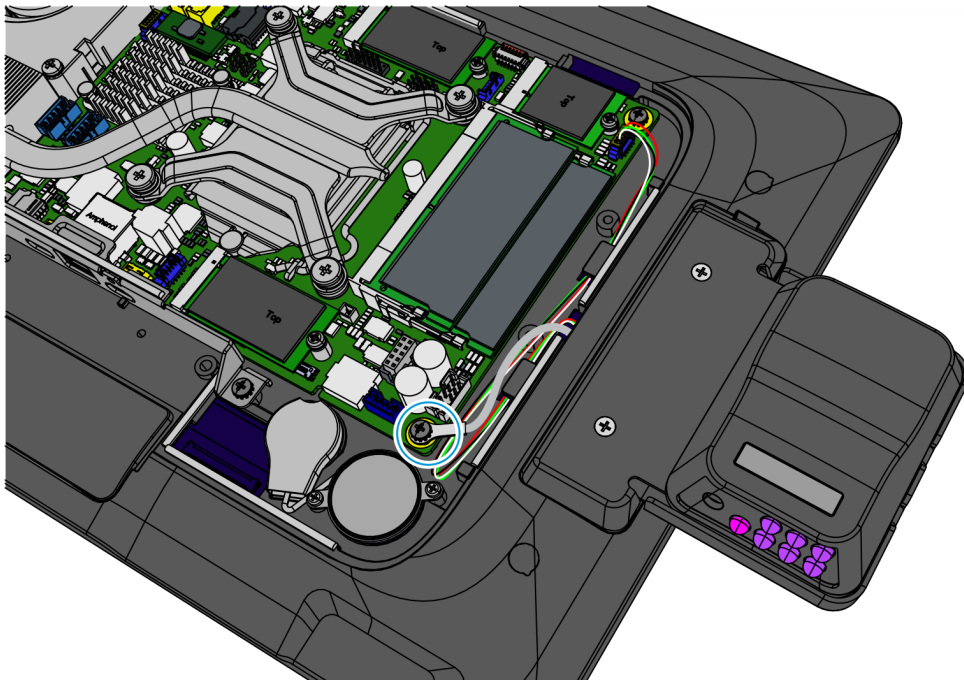


12. Pull the excess Bill Validator Cable until the cable reaches just above the speaker. Tuck the rest of the excess Bill Validator Cable under the Bill Validator Front Housing, then install the Bill Validator on the Bill Validator Front Housing (2 screws).



CCP-79906

13. Secure the Ground Cable under the corner Motherboard Screw.



CCP-79942

14. Reinstall the Display Back Cover.
15. Reconnect the 180-degree USB-C Cable and Ethernet Cable.
16. Reinstall the Cable Cover.