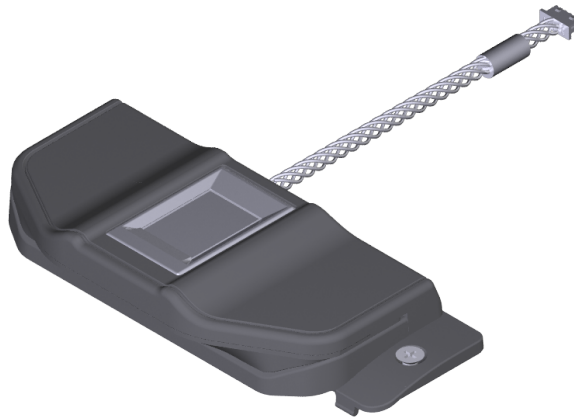




Biometrics

Kit Instructions



7772-K151

Issue C

Copyright

The product described in this document is a licensed product of NCR Voyix Corporation.

NCR CX7 All-in-One POS (7772) is a trademark of NCR Voyix Corporation in the United States and/or other countries. Other product names mentioned in this publication may be trademarks or registered trademarks of their respective companies and are hereby acknowledged.

Where creation of derivative works, modifications or copies of this NCR Voyix copyrighted documentation is permitted under the terms and conditions of an agreement you have with NCR Voyix, NCR Voyix's copyright notice must be included.

It is the policy of NCR Voyix Corporation to improve products as new technology, components, software, and firmware become available. NCR Voyix, therefore, reserves the right to change specifications without prior notice.

All features, functions, and operations described herein may not be marketed by NCR Voyix in all parts of the world. In some instances, photographs are of equipment prototypes. Therefore, before using this document, consult with your NCR Voyix representative or NCR Voyix office for information that is applicable and current.

Copyright © 2019–2024
By NCR Voyix Corporation
Atlanta, Georgia, USA
All Rights Reserved

Table of Contents

Copyright	2
Biometrics	5
Kit Contents	5
Installation Procedure	6

Revision Record

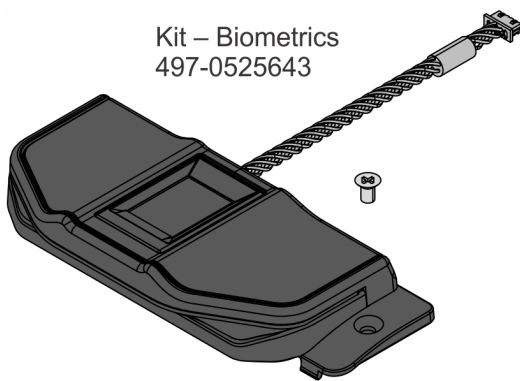
Issue	Date	Remarks
A	Nov 2019	First Issue
B	Jun 2020	Updated illustrations for steps 4 and 5 Added a note to step 9
C	Dec 2021	Added Warning statement

Biometrics

This kit provides a Biometrics for either Port A or Port B of the following POS:

- NCR CX7 All-in-One POS (7772)
- NCR CX5 All-in-One POS (7773)

Kit Contents



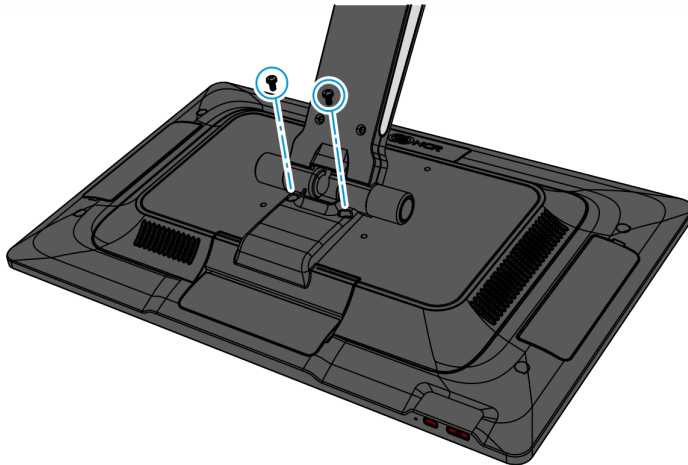
CCP-77841

Installation Procedure

Warning

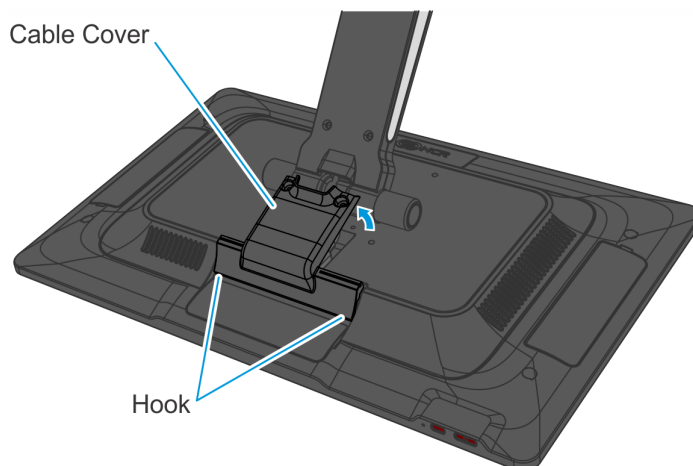
Disconnect the AC power cord from the AC outlet and wait 30 seconds before servicing the terminal.

1. Lay the Display face down on a flat surface.
Always use a soft material (cloth, foam) to protect the display screen when placing the terminal face down.
2. Remove the Cable Cover.
 - a. Remove the two (2) screws that secure the Cable Cover to the Back Cover.



CCP-77013

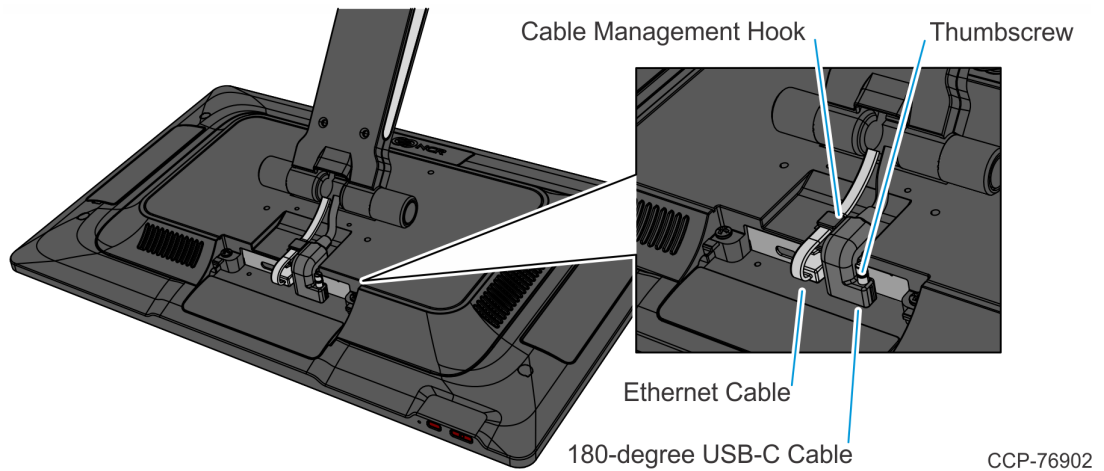
- b. Rotate and unhook the Cable Cover from the Back Cover.



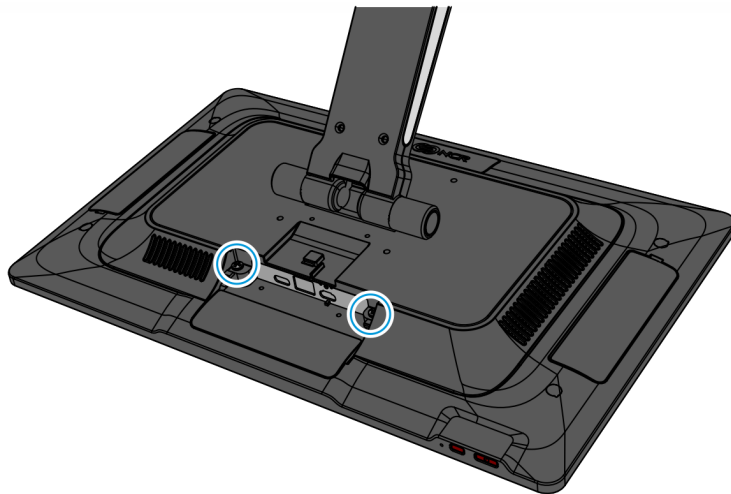
CCP-77014

3. Disconnect the Cables.

- a. Loosen the thumbscrew of the 180-degree USB-C Cable then disconnect the Cable.
- b. Remove the Ethernet Cable from the Cable Management Hook then disconnect the Cable.

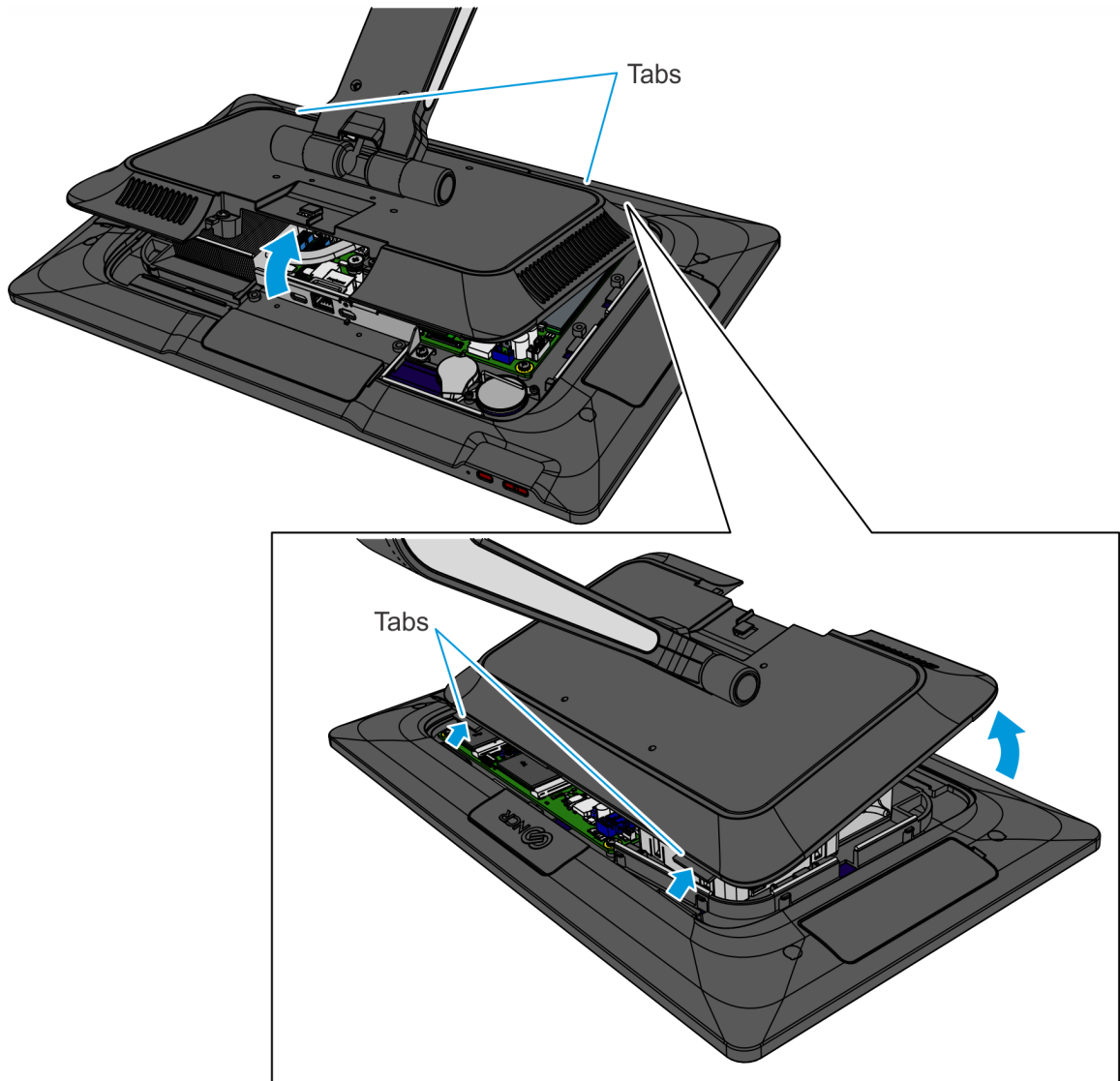


4. Loosen the two (2) captive screws that secure the Back Cover to the Display.



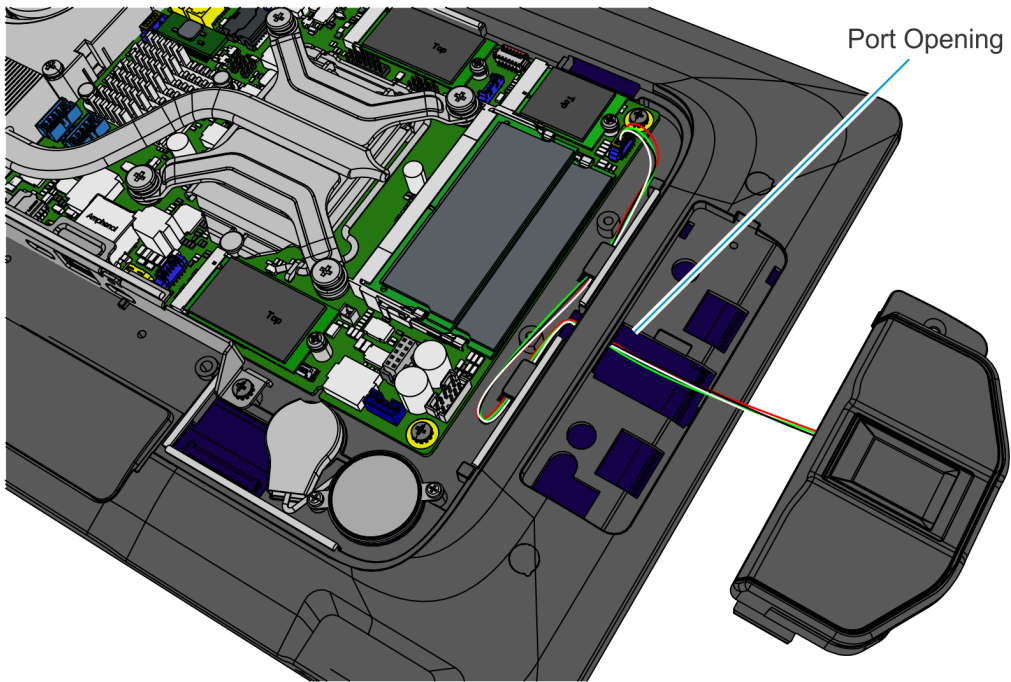
CCP-76903

5. Rotate the Back Cover away from the Display and unhook the Back Cover Tabs.



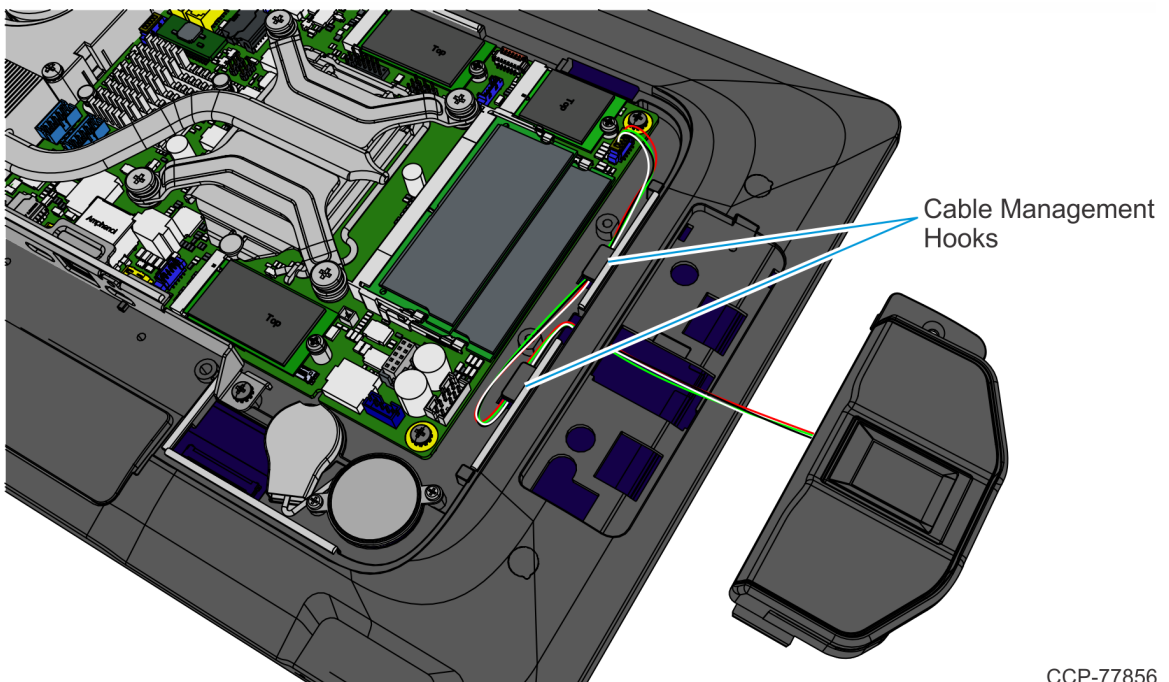
CCP-78836

6. Route the Biometrics Cable through the Port opening.



CCP-77855

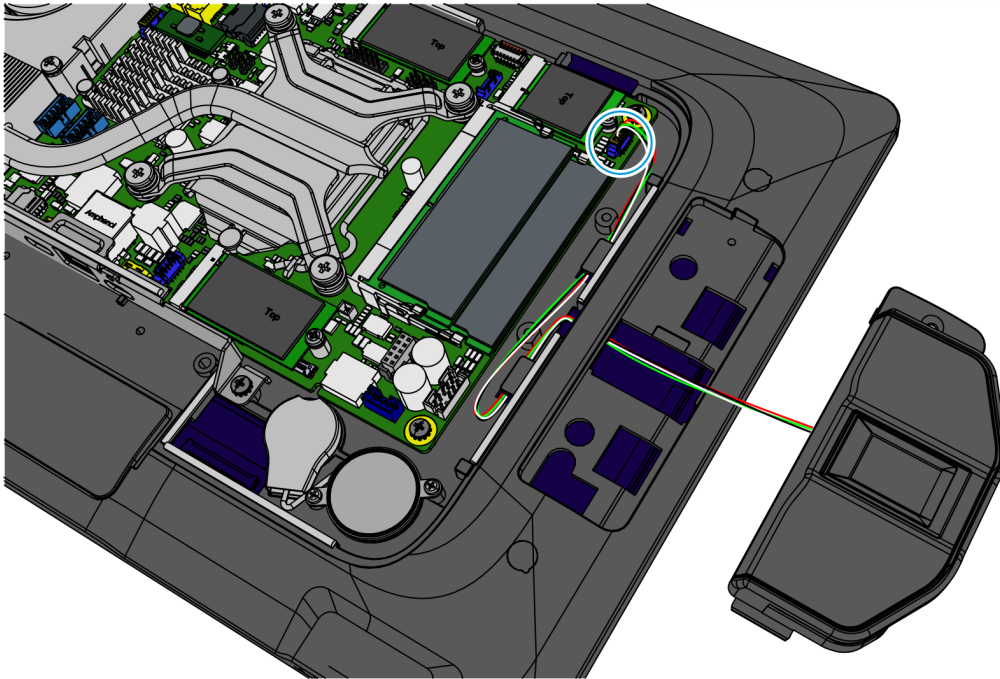
7. Route and secure the Cable under the Cable Management Hooks as shown.



CCP-77856

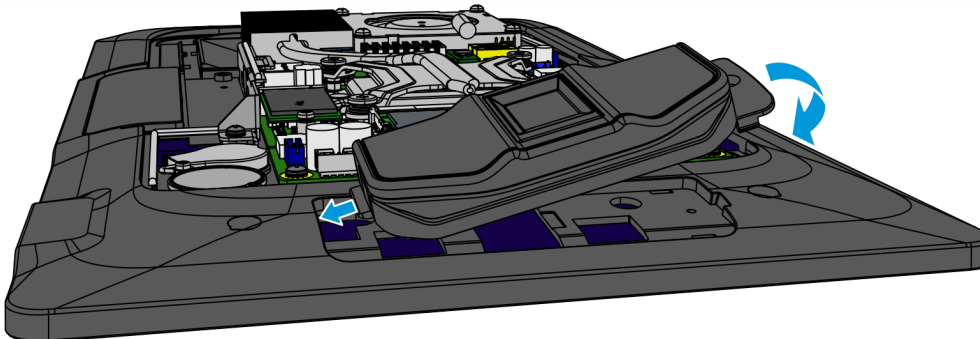
Confidential and proprietary information of NCR Voyix.
Use and disclose solely pursuant to company instructions.

8. Connect the Cable to the Motherboard.



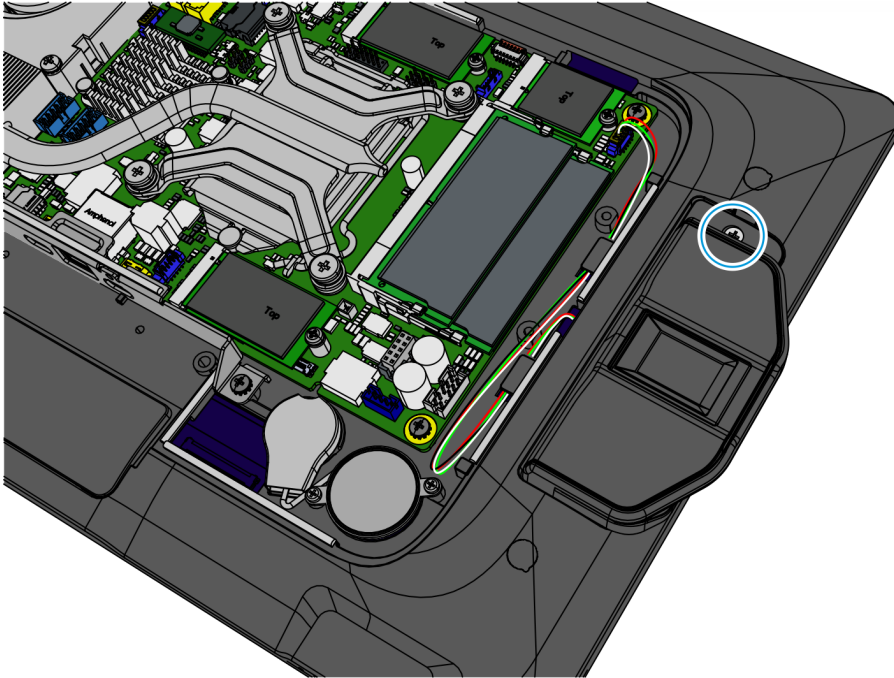
CCP-77857

9. Hook the Biometrics into the display housing and snap into place. Pull the excess cable through the Port opening as you hook the Biometrics into the display housing.



CCP-77837

10. Secure the Biometrics with a screw.



CCP-77838

11. Reinstall the Display Back Cover.
12. Reconnect the 180-degree USB-C Cable and Ethernet Cable.
13. Reinstall the Cable Cover.