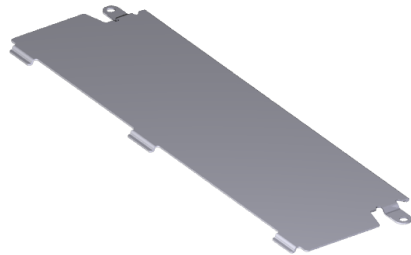




CX I/O Security Cover

Kit Instructions



7772-K040

Issue B

Copyright

The product described in this document is a licensed product of NCR Voyix Corporation.

NCR CX7 All-in-One POS (7772) is a trademark of NCR Voyix Corporation in the United States and/or other countries. Other product names mentioned in this publication may be trademarks or registered trademarks of their respective companies and are hereby acknowledged.

Where creation of derivative works, modifications or copies of this NCR Voyix copyrighted documentation is permitted under the terms and conditions of an agreement you have with NCR Voyix, NCR Voyix's copyright notice must be included.

It is the policy of NCR Voyix Corporation to improve products as new technology, components, software, and firmware become available. NCR Voyix, therefore, reserves the right to change specifications without prior notice.

All features, functions, and operations described herein may not be marketed by NCR Voyix in all parts of the world. In some instances, photographs are of equipment prototypes. Therefore, before using this document, consult with your NCR Voyix representative or NCR Voyix office for information that is applicable and current.

Copyright © 2019–2024
By NCR Voyix Corporation
Atlanta, Georgia, USA
All Rights Reserved

Table of Contents

Copyright	2
CX I/O Security Cover	5
Kit Contents	5
Installation Procedure	6

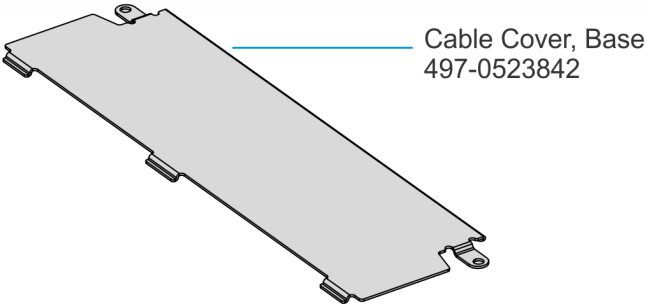
Revision Record

Issue	Date	Remarks
A	Jul 2019	First Issue
B	Jun 2020	Added CX5 (7773) to introduction

CX I/O Security Cover

This kit provides a cable cover for the NCR CX7 All-in-One POS (7772) or NCR CX5 All-in-One POS (7773).

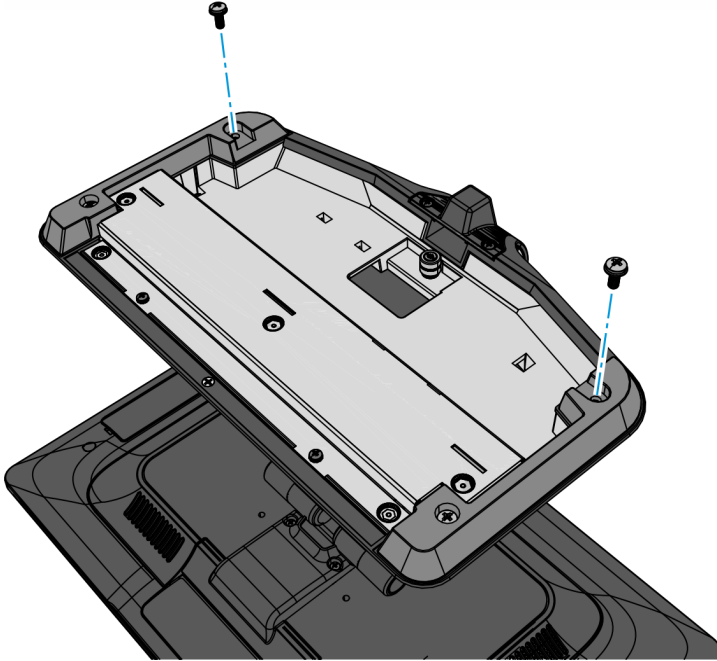
Kit Contents



CCP-76981

Installation Procedure

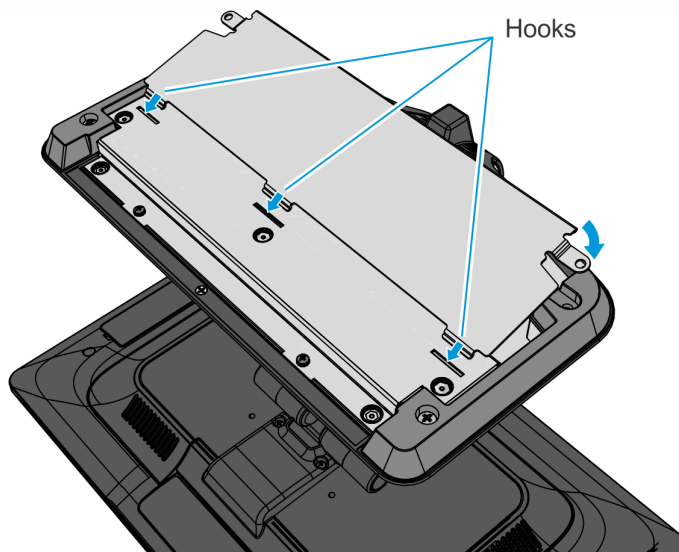
1. Lay the terminal face down on a flat surface.
Always use a soft material (cloth, foam) to protect the display screen when placing the terminal face down.
2. Remove the two (2) screws from the Base as shown. These screws will be used to install the Security Cover.



CCP-76988

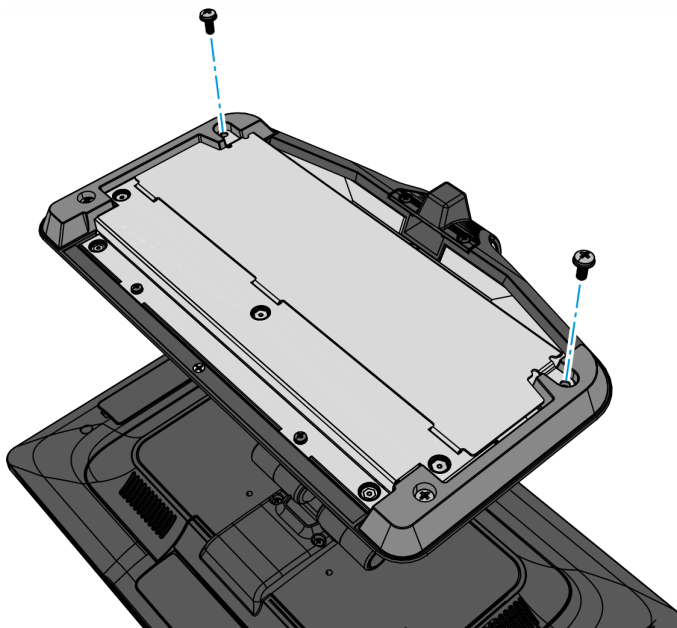
3. Install the Security Cover.

- a. Hook the Security Cover on the I/O Bracket, then pivot it closed.



CCP-76982

- b. Secure the Cover with two (2) screws.



CCP-76983