

# Kit Instructions

## I/O Expansion Integrated Stand



9700-0062-7746 / 9700-9062-7746  
Issue A



---

The product described in this document is a licensed product of NCR Corporation.

NCR is a registered trademark of NCR Corporation. NCR POS is a trademark of NCR Corporation in the United States and/or other countries. Other product names mentioned in this publication may be trademarks or registered trademarks of their respective companies and are hereby acknowledged.

The terms HDMI and HDMI High-Definition Multimedia Interface, and the HDMI Logo are trademarks or registered trademarks of HDMI Licensing LLC in the United States and other countries.

Where creation of derivative works, modifications or copies of this NCR copyrighted documentation is permitted under the terms and conditions of an agreement you have with NCR, NCR's copyright notice must be included.

It is the policy of NCR Corporation (NCR) to improve products as new technology, components, software, and firmware become available. NCR, therefore, reserves the right to change specifications without prior notice.

All features, functions, and operations described herein may not be marketed by NCR in all parts of the world. In some instances, photographs are of equipment prototypes. Therefore, before using this document, consult with your NCR representative or NCR office for information that is applicable and current.

To maintain the quality of our publications, we need your comments on the accuracy, clarity, organization, and value of this book. Please use the link below to send your comments.

Email: [FD230036@ncr.com](mailto:FD230036@ncr.com)

Copyright © 2020  
By NCR Corporation  
Global Headquarters  
864 Spring St NW  
Atlanta, GA 30308  
U.S.A.  
All Rights Reserved

## Revision Record

Issue	Date	Remarks
A	Oct 2020	First Issue

---

# I/O Expansion Integrated Stand

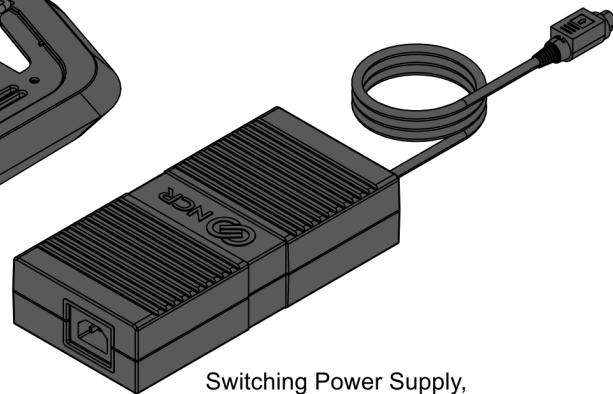
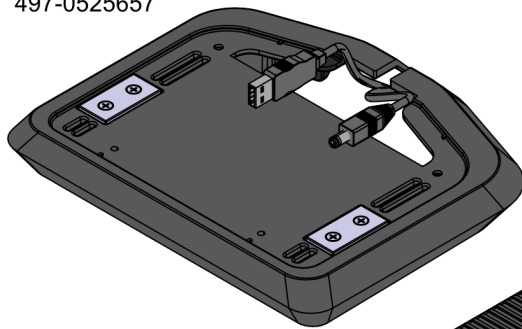
---

This kit provides an I/O Expansion Base for an integrated stand option for the NCR PX10/PX15 POS (7746).

- 9700-0062-7746 – I/O Expansion Integrated Stand, HSR
- 9700-9062-7746 – I/O Expansion Integrated Stand, Retail

## Kit Contents

I/O Expansion Integrated Stand, PX, Black  
497-0525657

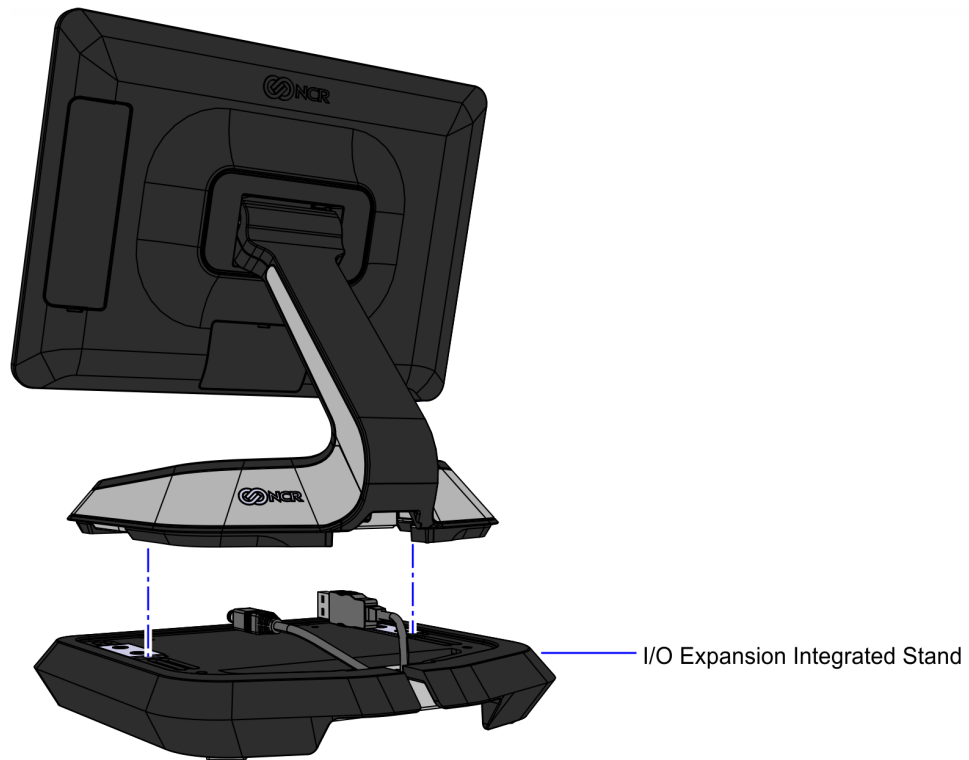


Switching Power Supply,  
External 24V Adapter 150 Watt  
497-0508598

CCP-79598

# Installation Procedure

1. Position the Base Stand on the I/O Expansion Integrated Stand.

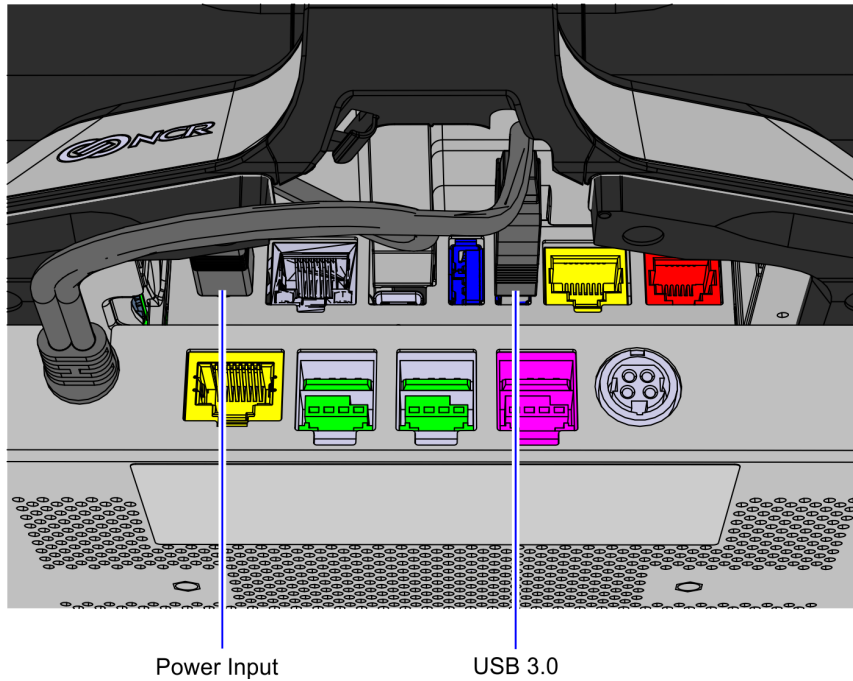


CCP-79594

2. Connect the I/O Expansion Cable to the Power Input Port and USB 3.0 Port on the Base Stand.

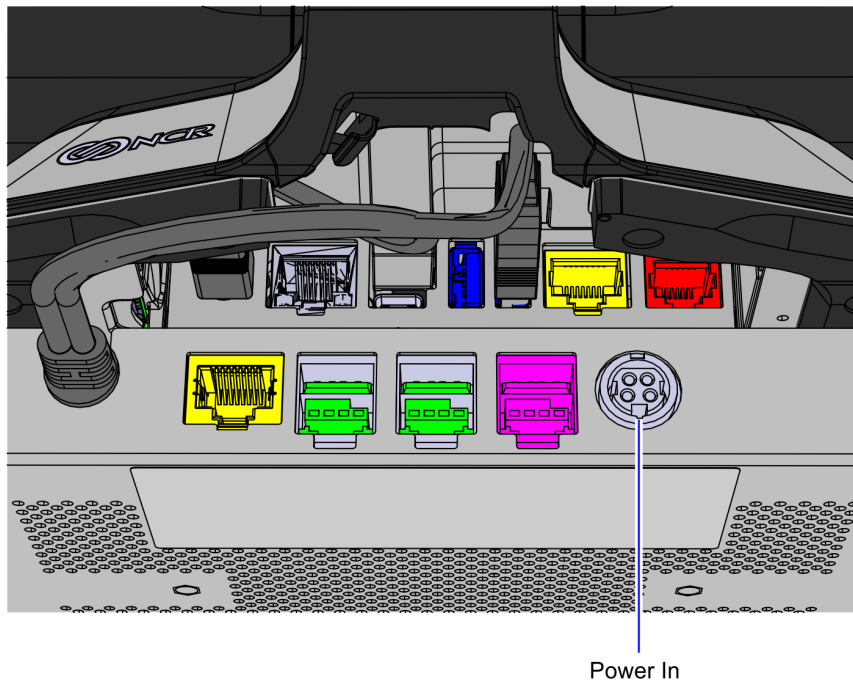


**Note:** For clarity, the I/O Expansion Integrated Stand Housing is not shown.



CCP-79592

3. Connect the Power Supply Cable to the Power In Port on the I/O Expansion.



CCP-79593