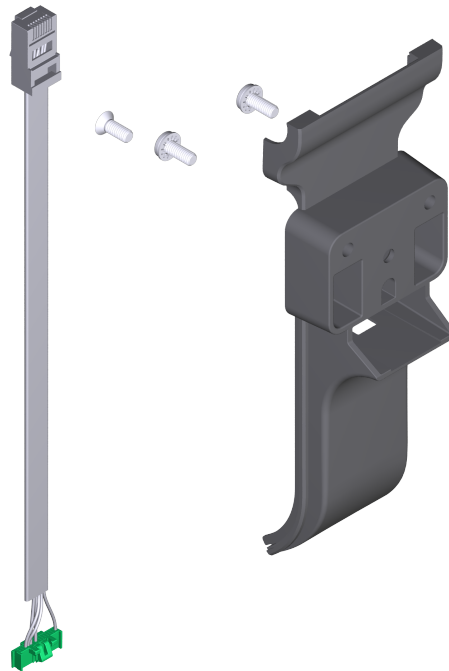


Kit Instructions

Mount for Integrated 2x20 Customer Display



7746-K456
Issue A



The product described in this document is a licensed product of NCR Corporation.

NCR is a registered trademark of NCR Corporation. NCR POS is a trademark of NCR Corporation in the United States and/or other countries. Other product names mentioned in this publication may be trademarks or registered trademarks of their respective companies and are hereby acknowledged.

The terms HDMI and HDMI High-Definition Multimedia Interface, and the HDMI Logo are trademarks or registered trademarks of HDMI Licensing LLC in the United States and other countries.

Where creation of derivative works, modifications or copies of this NCR copyrighted documentation is permitted under the terms and conditions of an agreement you have with NCR, NCR's copyright notice must be included.

It is the policy of NCR Corporation (NCR) to improve products as new technology, components, software, and firmware become available. NCR, therefore, reserves the right to change specifications without prior notice.

All features, functions, and operations described herein may not be marketed by NCR in all parts of the world. In some instances, photographs are of equipment prototypes. Therefore, before using this document, consult with your NCR representative or NCR office for information that is applicable and current.

To maintain the quality of our publications, we need your comments on the accuracy, clarity, organization, and value of this book. Please use the link below to send your comments.

Email: FD230036@ncr.com

Copyright © 2020
By NCR Corporation
Global Headquarters
864 Spring St NW
Atlanta, GA 30308
U.S.A.
All Rights Reserved

Revision Record

Issue	Date	Remarks
A	Sep 2020	First Issue

Mount for Integrated 2x20 Customer Display

This kit provides a mount to install a 2x20 Customer Display on the neck of the NCR PX10/PX15 POS (7746).

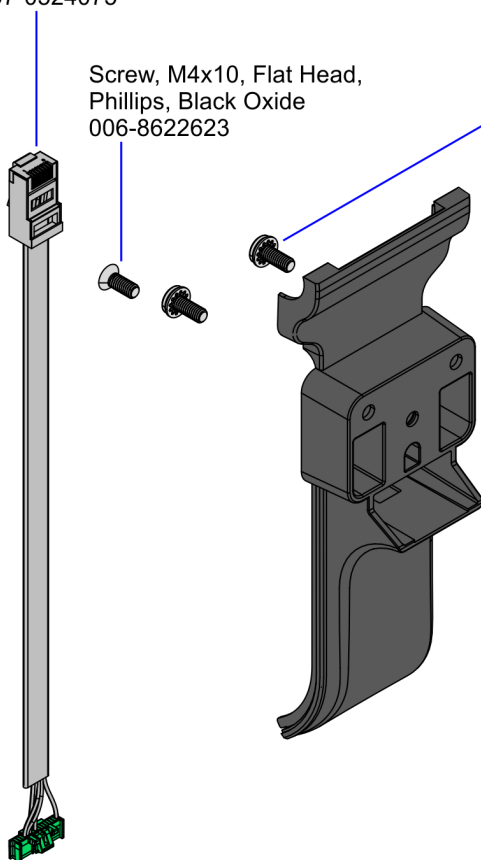
Kit Contents

Cable, 7746, 2x20, 180mm,
RJ45 unshielded to Hirose Serial
497-0524075

Screw, M4x10, Flat Head,
Phillips, Black Oxide
006-8622623

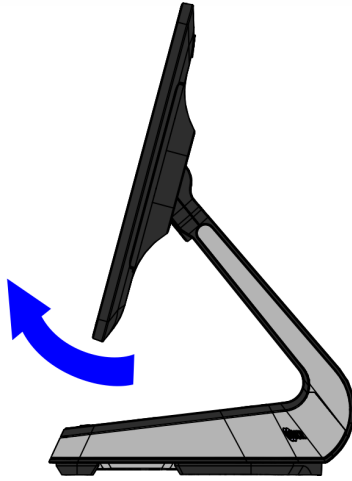
Screw, Metric, SEMS, Phillips,
Pan Head, M4x10, 10mm length
006-0654018

2x20 Mount, Back Neck Cover, 7746
497-0521401



Installation Procedure

1. Pivot the display toward the back.



CCP-73935

2. Remove the screw (1) that secures the Front Neck Cover to the neck.

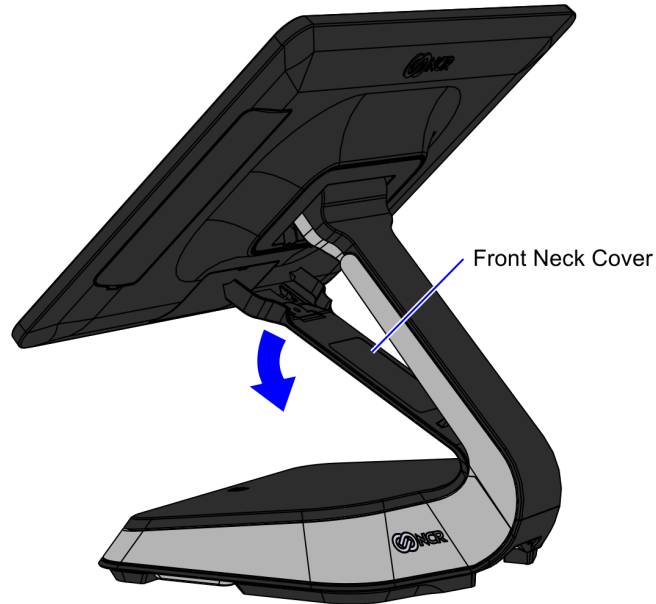


Note: Use only a screwdriver with a #1 Philips bit to avoid stripping the screw head.



CCP-73936

3. Pivot the Front Neck Cover away from the terminal.



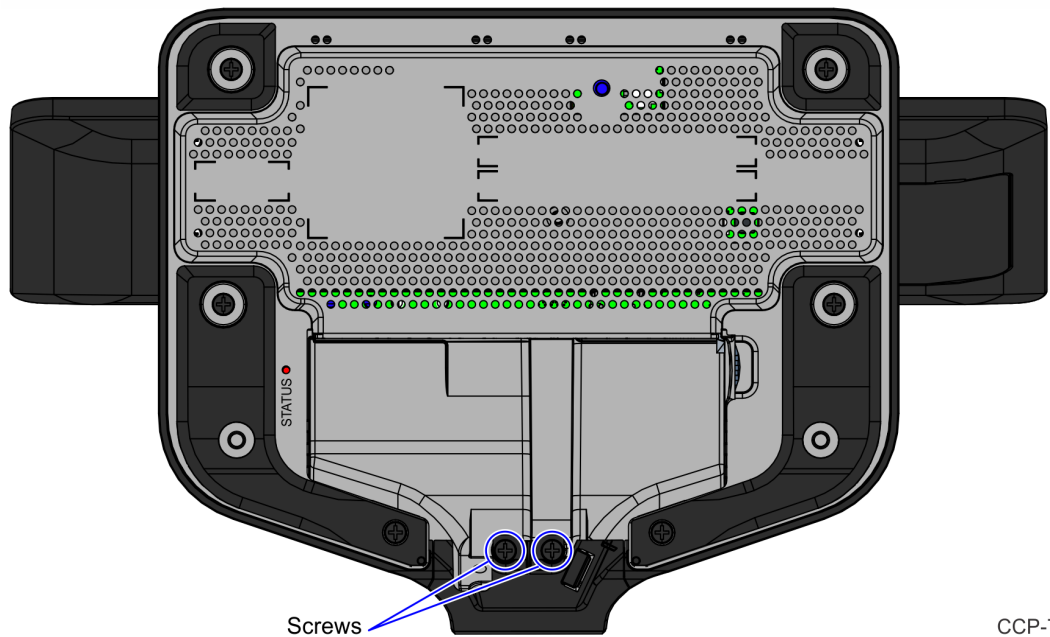
CCP-73937

4. Lay the terminal face down on a flat surface.



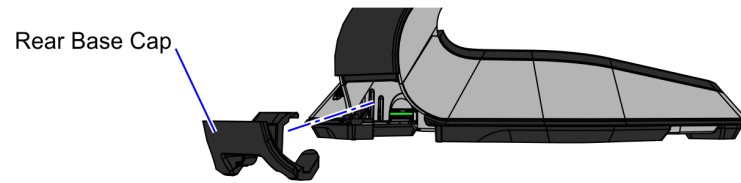
Caution: Always use a soft material (cloth, foam) to protect the display screen when placing the terminal face down.

5. Remove the screws (2) that secure the Rear Base Cap to the Neck.



CCP-73938

6. Remove the Rear Base Cap.



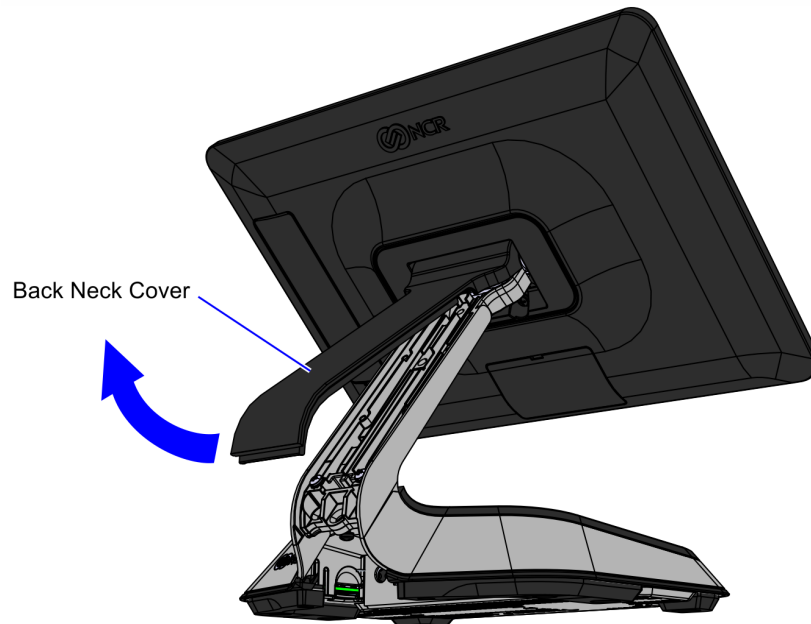
CCP-73939

7. Set the terminal to stand upright, and then pivot the display toward the front.



CCP-73940

8. Pivot the Back Neck Cover away from the terminal.



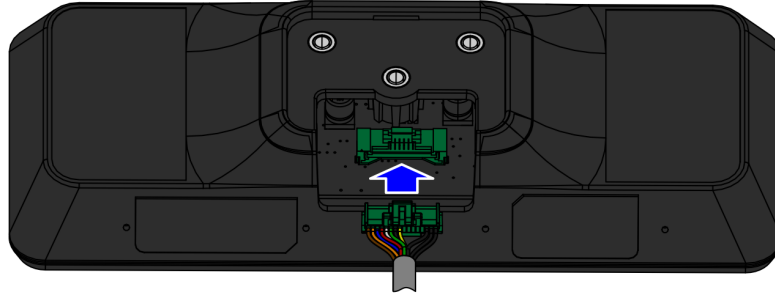
CCP-73941

- Lay the 2x20 display face down on a flat surface.



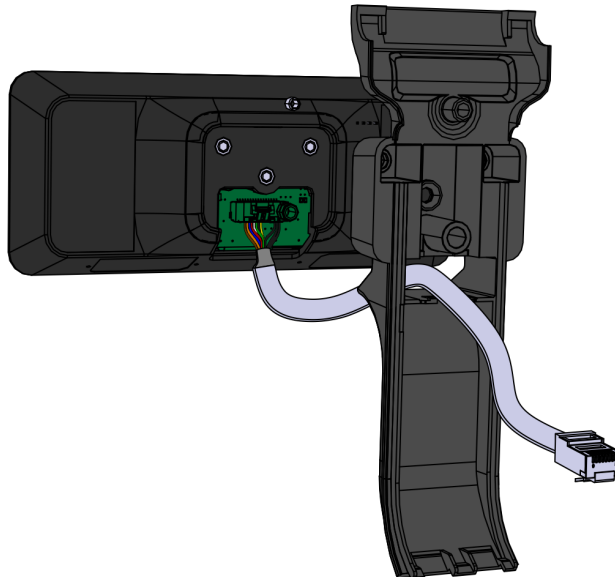
Caution: Always use a soft material (cloth, foam) to protect the display screen when placing the terminal face down.

- Connect the Interface Cable to the back of the 2x20 display. Ensure that the latch is properly engaged.



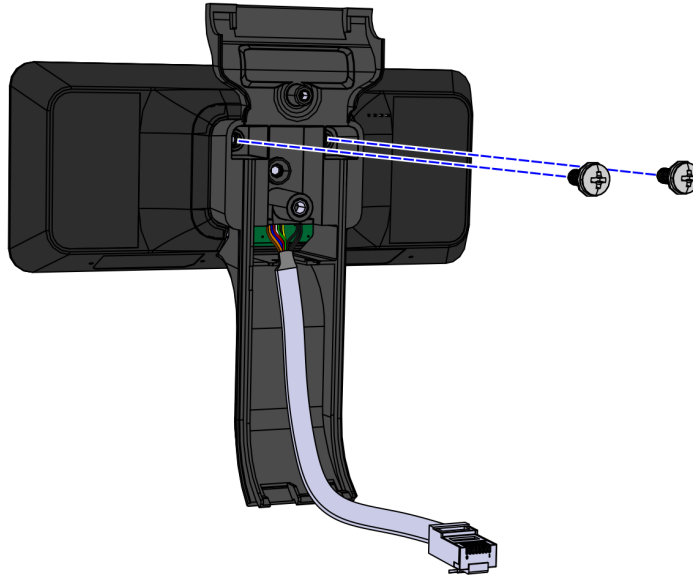
CCP-75952

- Insert the opposite end of the Interface Cable through the opening of the neck mount.



CCP-75955

12. Secure the neck mount to the back of the 2x20 display using screws (2).



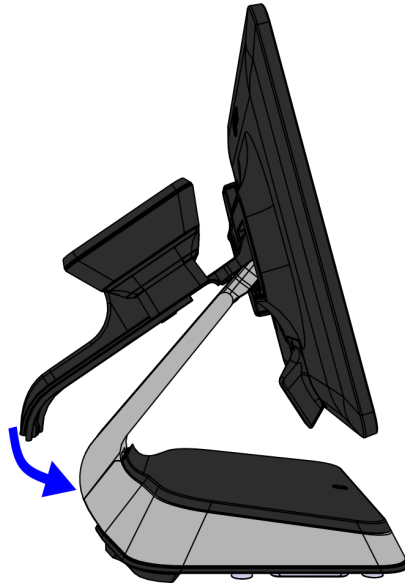
CCP-75950

13. Set the terminal to stand upright, and then pivot the display toward the front.



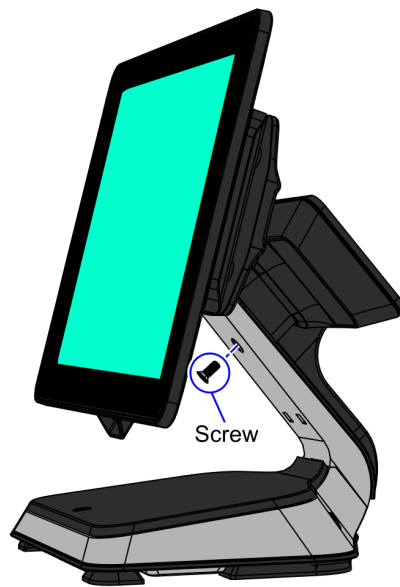
CCP-73940

14. Attach the neck mount with 2x20 display to the terminal.




CCP-75953

15. Secure the neck mount and 2x20 display assembly on the neck of the PX10 terminal with a screw.

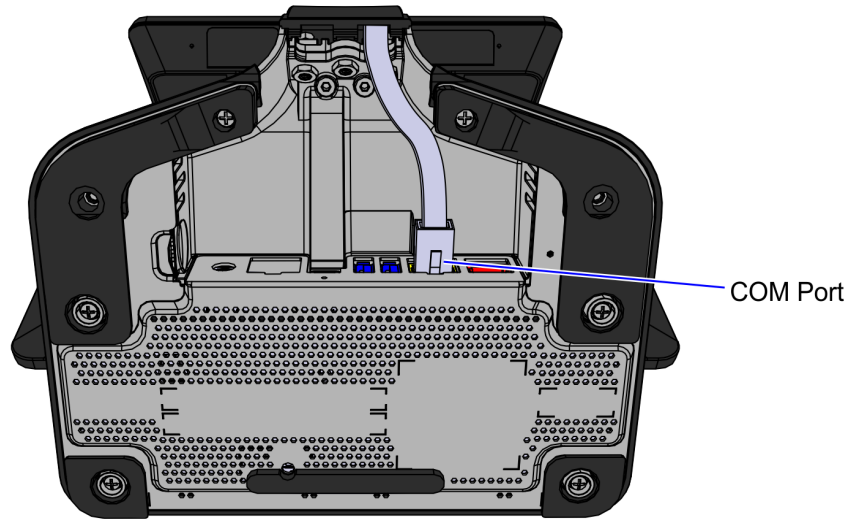


CCP-75949

16. Lay the terminal face down on a flat surface.

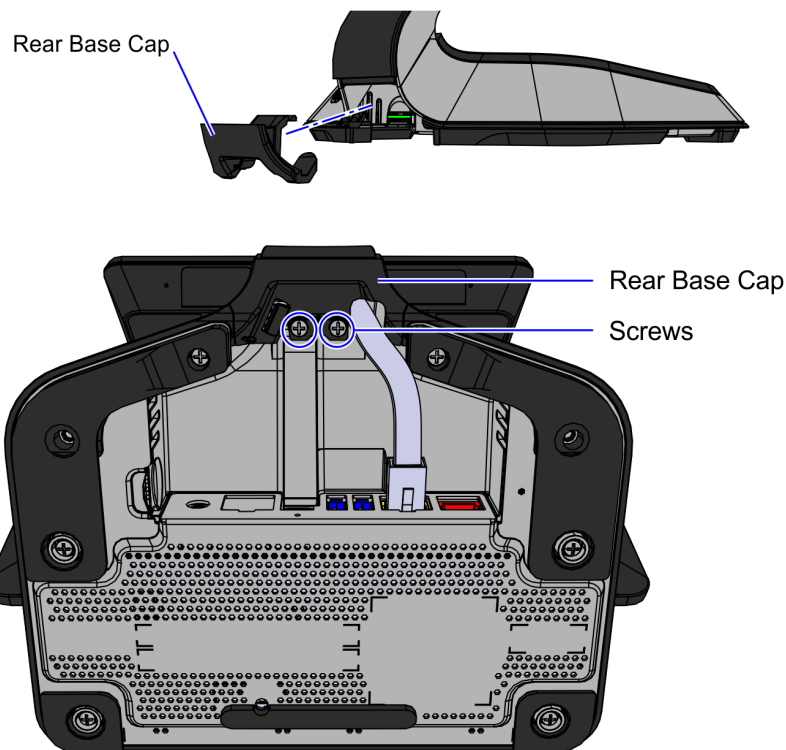
 **Caution:** Always use a soft material (cloth, foam) to protect the display screen when placing the terminal face down.

17. Route the Interface Cable through the right side of the neck base and connect the cable to the COM Port of the terminal stand.



CCP-75956

18. Attach the Rear Base Cap to the bottom of the neck, and secure with screws (2).



CCP-73939

CCP-75954

19. Reinstall the Front Neck Cover.