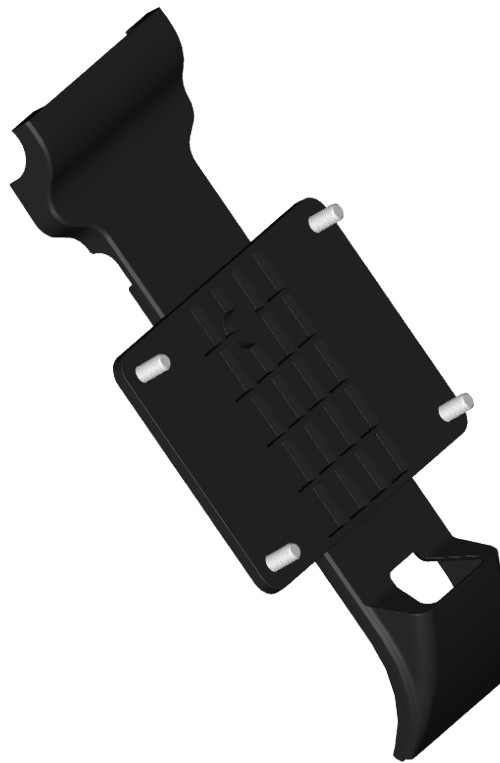


# Kit Instructions

Mount for Integrated XL7 Customer Display



7746-K452  
Issue A



---

The product described in this document is a licensed product of NCR Corporation.

NCR is a registered trademark of NCR Corporation. NCR POS is a trademark of NCR Corporation in the United States and/or other countries. Other product names mentioned in this publication may be trademarks or registered trademarks of their respective companies and are hereby acknowledged.

The terms HDMI and HDMI High-Definition Multimedia Interface, and the HDMI Logo are trademarks or registered trademarks of HDMI Licensing LLC in the United States and other countries.

Where creation of derivative works, modifications or copies of this NCR copyrighted documentation is permitted under the terms and conditions of an agreement you have with NCR, NCR's copyright notice must be included.

It is the policy of NCR Corporation (NCR) to improve products as new technology, components, software, and firmware become available. NCR, therefore, reserves the right to change specifications without prior notice.

All features, functions, and operations described herein may not be marketed by NCR in all parts of the world. In some instances, photographs are of equipment prototypes. Therefore, before using this document, consult with your NCR representative or NCR office for information that is applicable and current.

To maintain the quality of our publications, we need your comments on the accuracy, clarity, organization, and value of this book. Please use the link below to send your comments.

Email: [FD230036@ncr.com](mailto:FD230036@ncr.com)

Copyright © 2018  
By NCR Corporation  
Atlanta, GA U.S.A.  
All Rights Reserved

## Revision Record

Issue	Date	Remarks
A	Oct 2018	First Issue

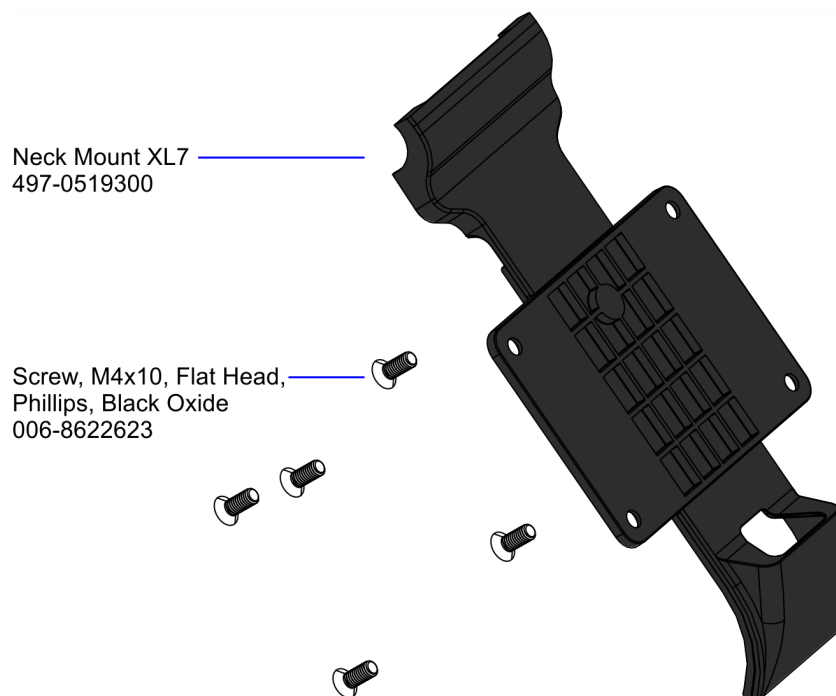
---

# Mount for Integrated XL7 Customer Display

---

This kit provides a mount to install an XL7 Customer Display on the neck of the NCR PX10 POS (7746).

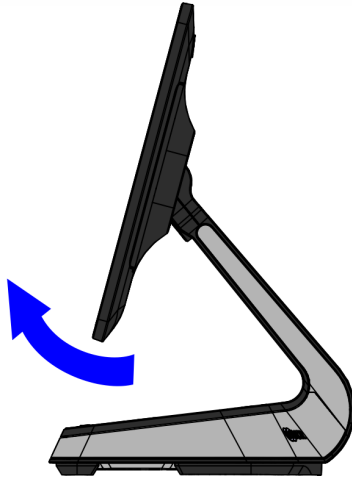
## Kit Contents



CCP-75436

# Installation Procedure

1. Pivot the display toward the back.



CCP-73935

2. Remove the screw (1) that secures the Front Neck Cover to the neck.

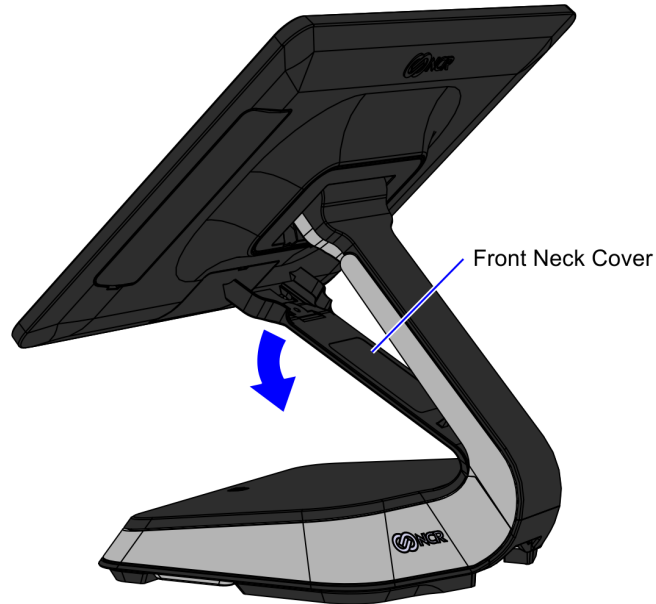


**Note:** Use only a screwdriver with a #1 Philips bit to avoid stripping the screw head.




CCP-73936

3. Pivot the Front Neck Cover away from the terminal.

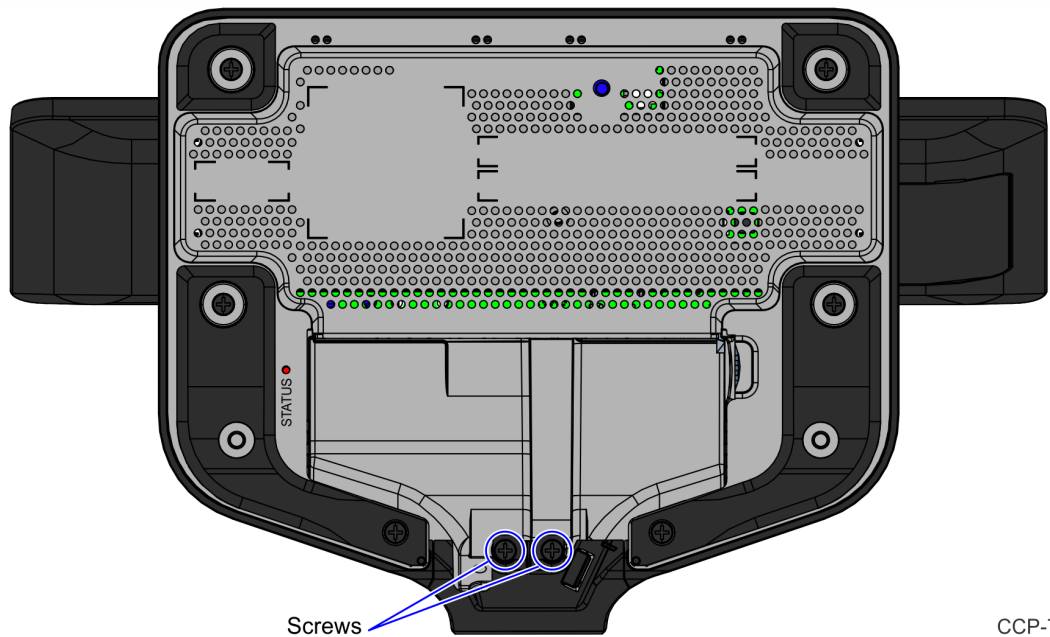


CCP-73937

4. Lay the terminal face down on a flat surface.

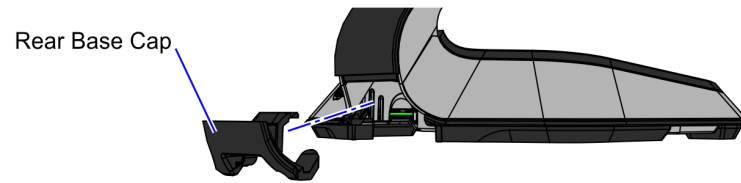
 **Caution:** Always use a soft material (cloth, foam) to protect the display screen when placing the terminal face down.

5. Remove the screws (2) that secure the Rear Base Cap to the Neck.



CCP-73938

6. Remove the Rear Base Cap.



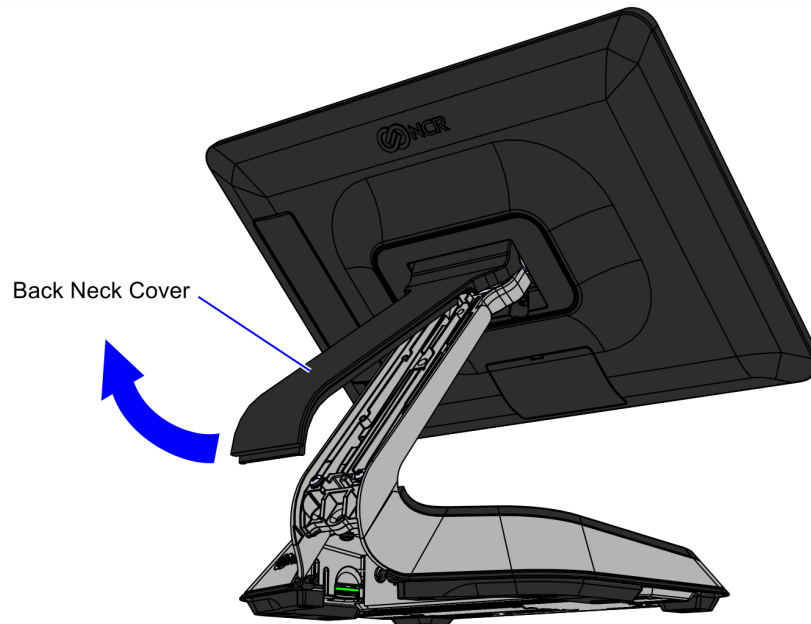
CCP-73939

7. Set the terminal to stand upright, and then pivot the display toward the front.




CCP-73940

8. Pivot the Back Neck Cover away from the terminal.

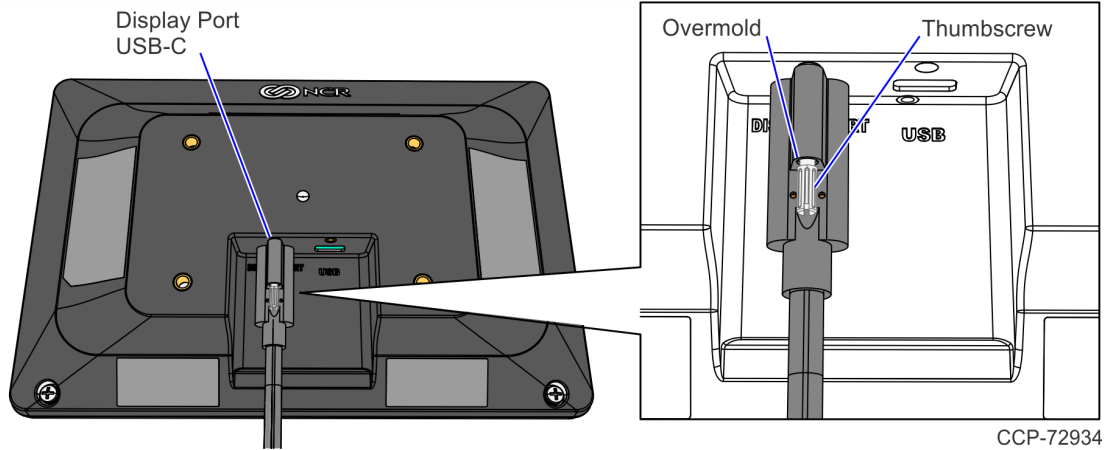


CCP-73941

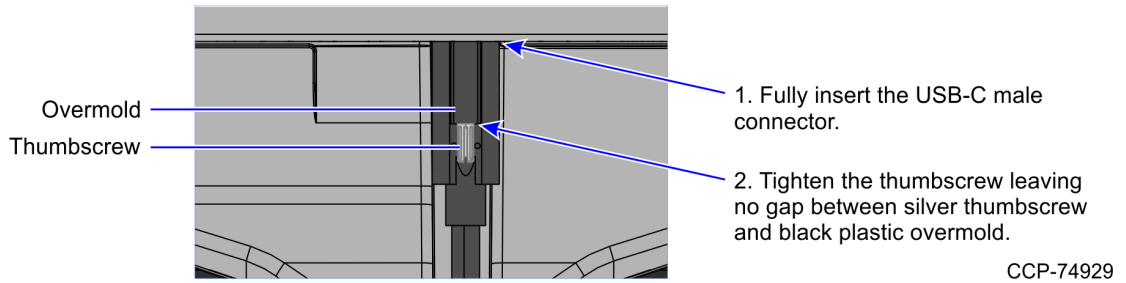
9. Lay the XL7 display face down on a flat surface.

 **Caution:** Always use a soft material (cloth, foam) to protect the display screen when placing the terminal face down.

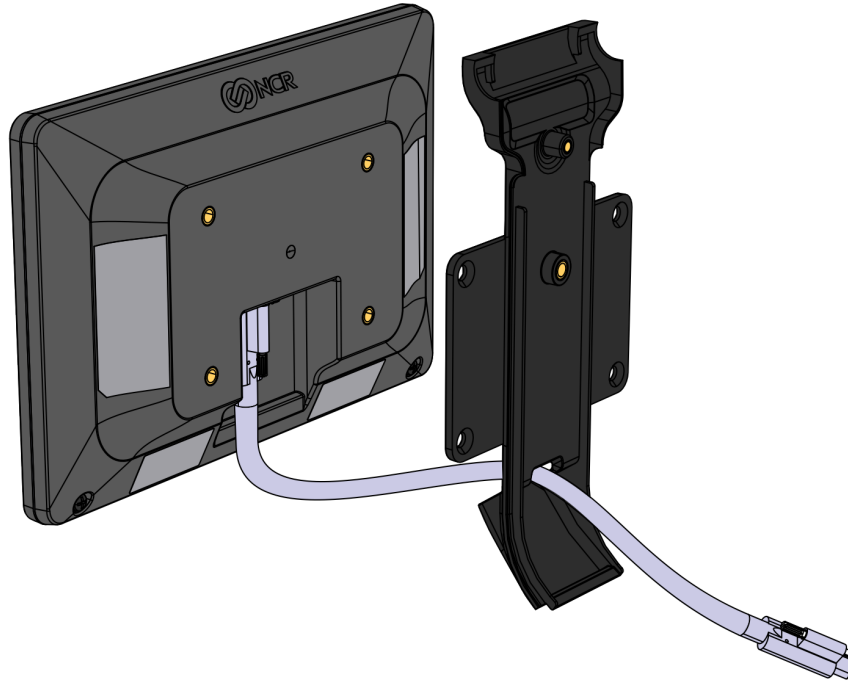
10. Connect the USB-C Cable to the back of the XL7 display. Tighten the thumbscrew.



**Note:** Avoid excessive tightening of the thumbscrew. Fully insert the USB-C male connector against the housing and tighten the thumbscrew only until the silver knurled portion touches the black plastic overmold. There should be no gap between the thumbscrew and the overmold, and no looseness in the overmold once the thumbscrew is properly tightened.

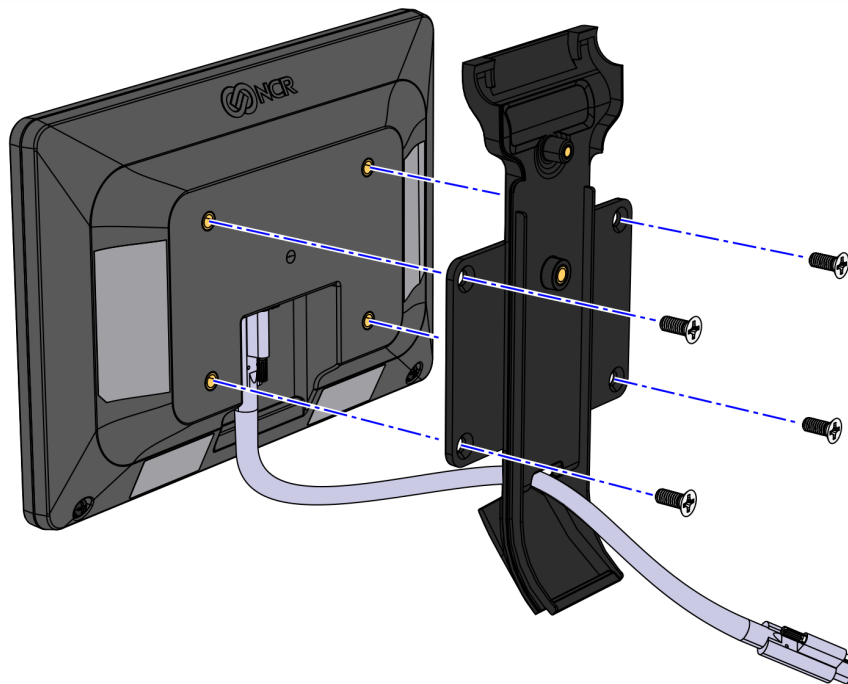


11. Insert the opposite end of the USB-C cable through the opening on the bottom of the neck mount.



CCP-73971

12. Install the neck mount to the back of the XL7 display using screws (4).



CCP-73972

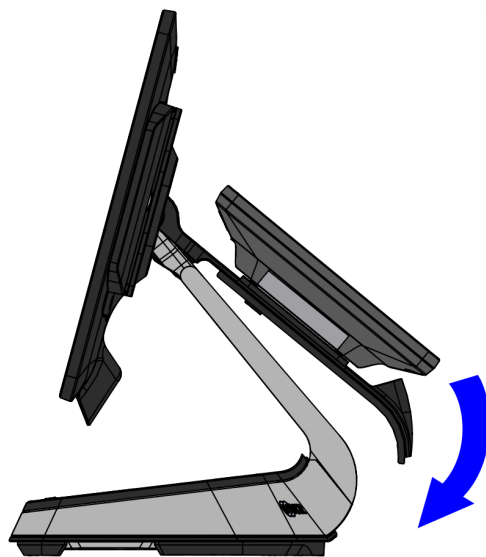


13. Set the PX10 to stand upright, and then pivot the PX10 display toward the front.



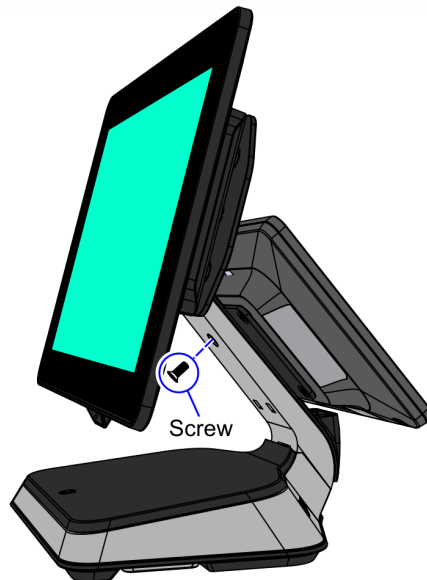
CCP-73940

14. Attach the neck mount with XL7 display to the terminal.



CCP-73973

- Secure the neck mount and XL7 display assembly on the neck of the PX10 terminal with a screw.



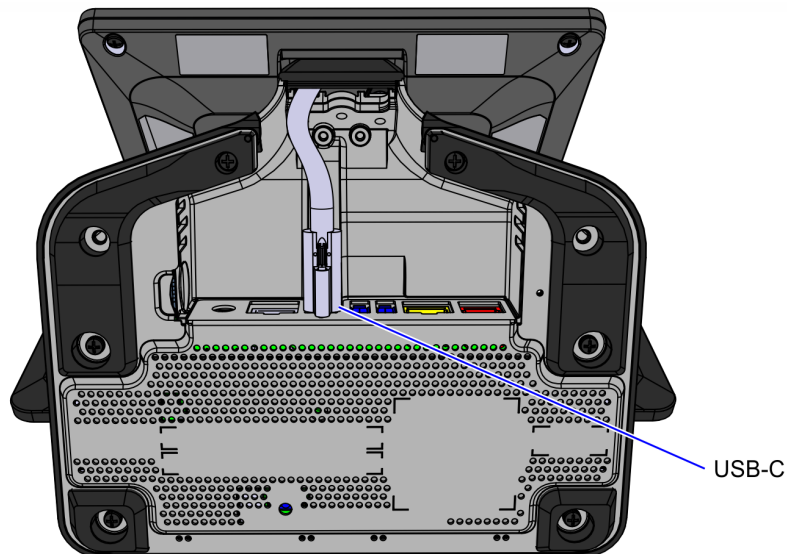
CCP-73974

- Lay the terminal face down on a flat surface.



**Caution:** Always use a soft material (cloth, foam) to protect the display screen when placing the terminal face down.

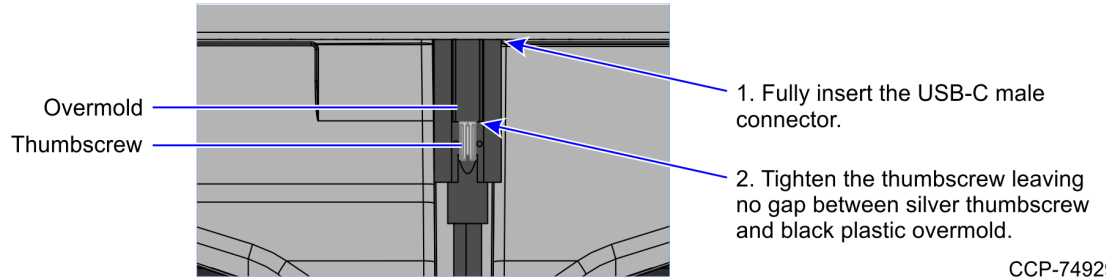
- Route the USB-C cable through the left side of the neck base and connect the cable to the bottom of the PX10 Stand. Tighten the thumbscrew.



CCP-73975

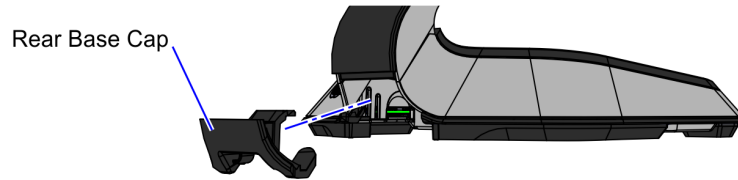


**Note:** Avoid excessive tightening of the thumbscrew. Fully insert the USB-C male connector against the housing and tighten the thumbscrew only until the silver knurled portion touches the black plastic overmold. There should be no gap between the thumbscrew and the overmold, and no looseness in the overmold once the thumbscrew is properly tightened.

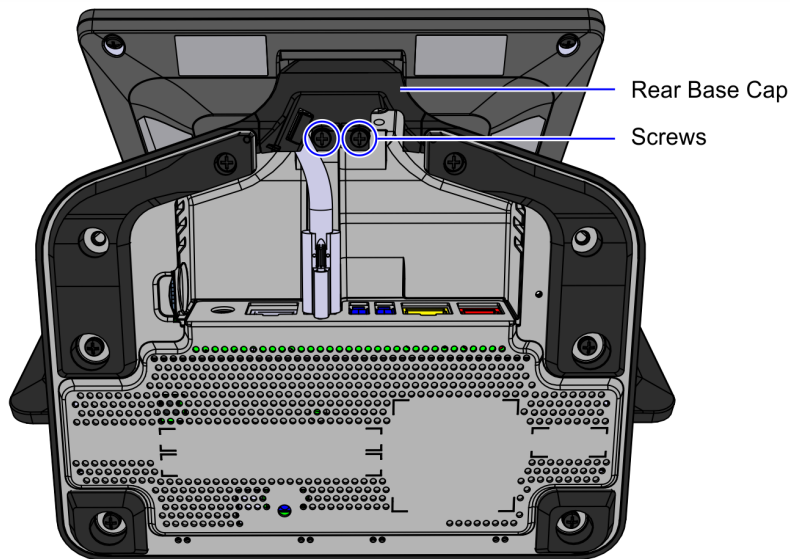


CCP-74929

18. Attach the Rear Base Cap to the bottom of the neck, and secure with screws (2).



CCP-73939



CCP-73976

