

Kit Instructions

2D Scanner, Back Mount



7746-K451
Issue A



The product described in this document is a licensed product of NCR Corporation.

NCR is a registered trademark of NCR Corporation. NCR POS is a trademark of NCR Corporation in the United States and/or other countries. Other product names mentioned in this publication may be trademarks or registered trademarks of their respective companies and are hereby acknowledged.

The terms HDMI and HDMI High-Definition Multimedia Interface, and the HDMI Logo are trademarks or registered trademarks of HDMI Licensing LLC in the United States and other countries.

Where creation of derivative works, modifications or copies of this NCR copyrighted documentation is permitted under the terms and conditions of an agreement you have with NCR, NCR's copyright notice must be included.

It is the policy of NCR Corporation (NCR) to improve products as new technology, components, software, and firmware become available. NCR, therefore, reserves the right to change specifications without prior notice.

All features, functions, and operations described herein may not be marketed by NCR in all parts of the world. In some instances, photographs are of equipment prototypes. Therefore, before using this document, consult with your NCR representative or NCR office for information that is applicable and current.

To maintain the quality of our publications, we need your comments on the accuracy, clarity, organization, and value of this book. Please use the link below to send your comments.

Email: FD230036@ncr.com

Copyright © 2020
By NCR Corporation
Global Headquarters
864 Spring St NW
Atlanta, GA 30308
U.S.A.
All Rights Reserved

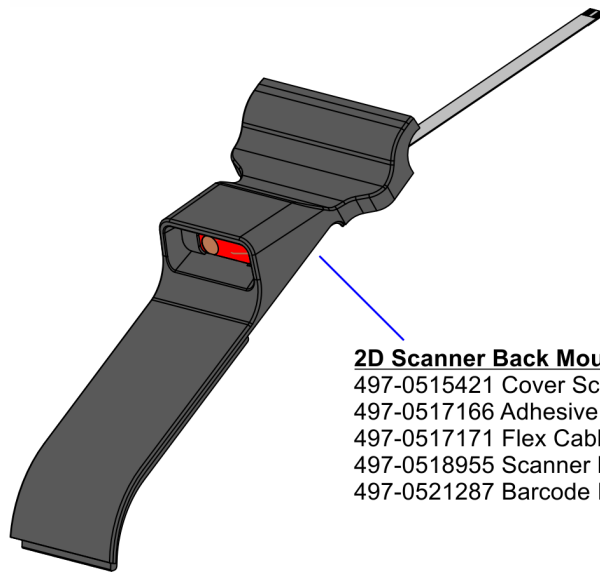
Revision Record

Issue	Date	Remarks
A	Sep 2020	First Issue

2D Scanner, Back Mount

This kit provides a 2D Scanner mounted on the neck of the NCR PX10/PX15 POS (7746).

Kit Contents



2D Scanner Back Mount Assembly

497-0515421 Cover Scanner, Back Neck, Stand

497-0517166 Adhesive, Scanner Module

497-0517171 Flex Cable, Back Mount Scanner, 7746

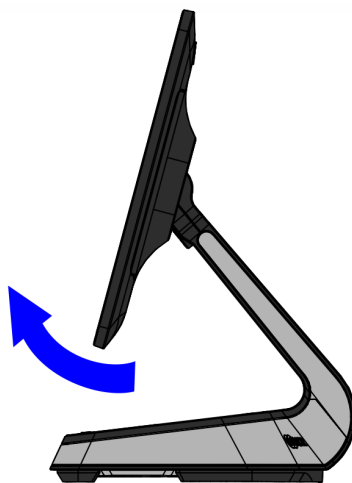
497-0518955 Scanner Lens Assembly, 7746

497-0521287 Barcode Imager Engine, Honeywell N3680, NCR configuration

CCP-79583

Installation Procedure

1. Pivot the display toward the back.



CCP-73935

2. Remove the screw (1) that secures the Front Neck Cover to the neck.

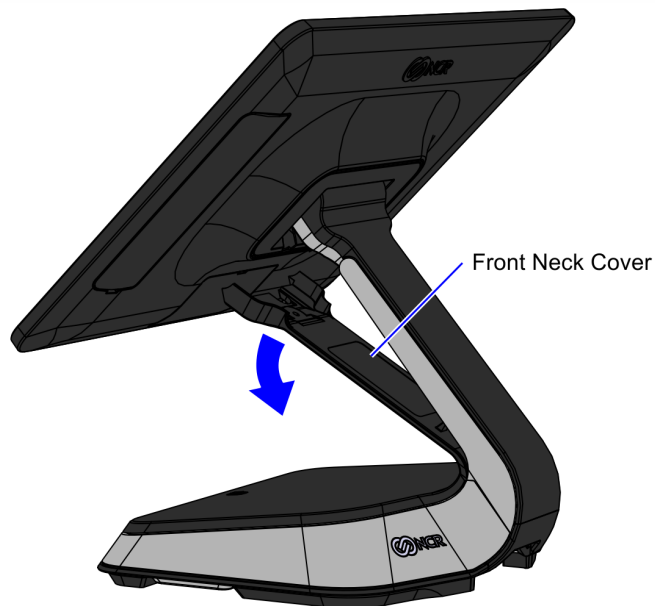


Note: Use only a screwdriver with a #1 Philips bit to avoid stripping the screw head.



CCP-73936

3. Pivot the Front Neck Cover away from the terminal.



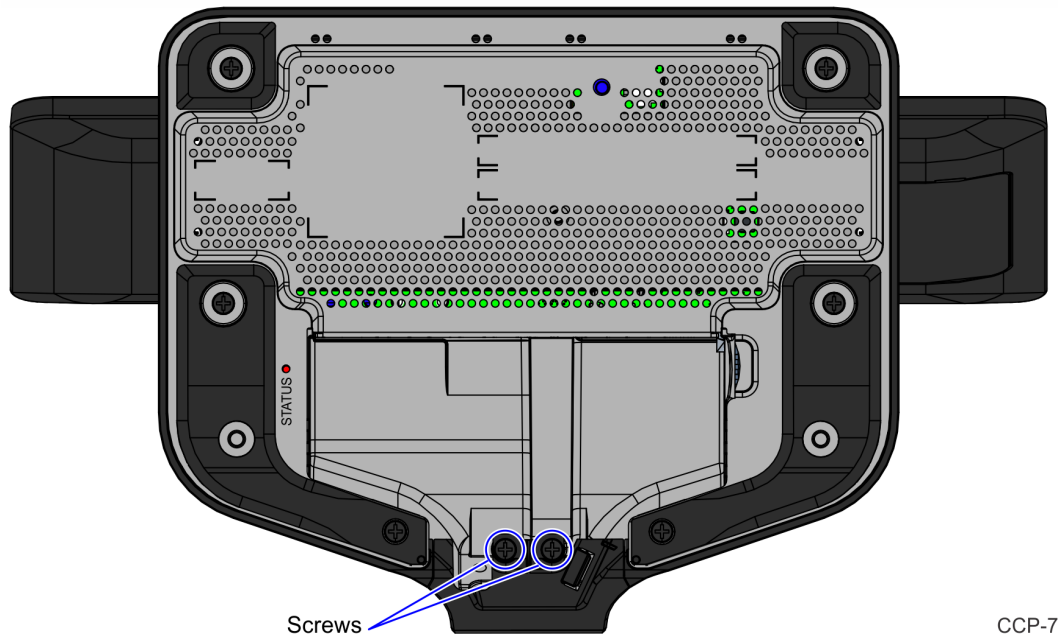
CCP-73937

4. Lay the terminal face down on a flat surface.



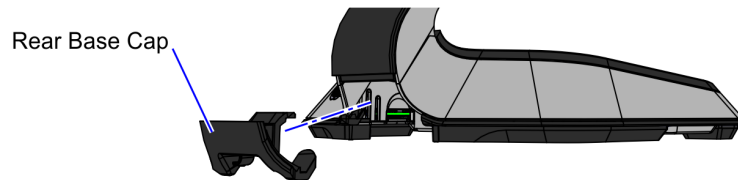
Caution: Always use a soft material (cloth, foam) to protect the display screen when placing the terminal face down.

5. Remove the screws (2) that secure the Rear Base Cap to the Neck.



CCP-73938

6. Remove the Rear Base Cap.



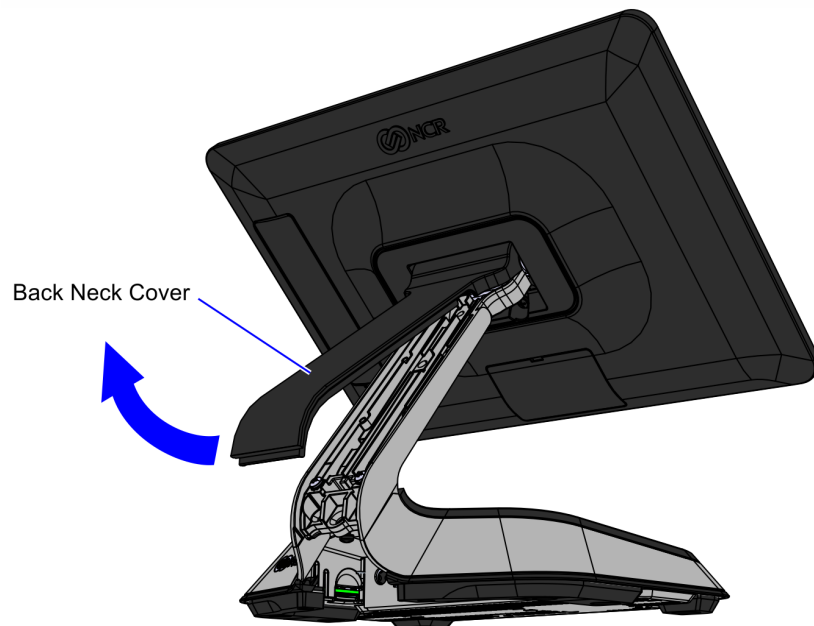
CCP-73939

7. Set the terminal to stand upright, and then pivot the display toward the front.



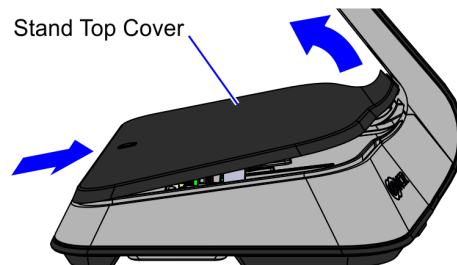
CCP-73940

- Pivot the Back Neck Cover away from the terminal.



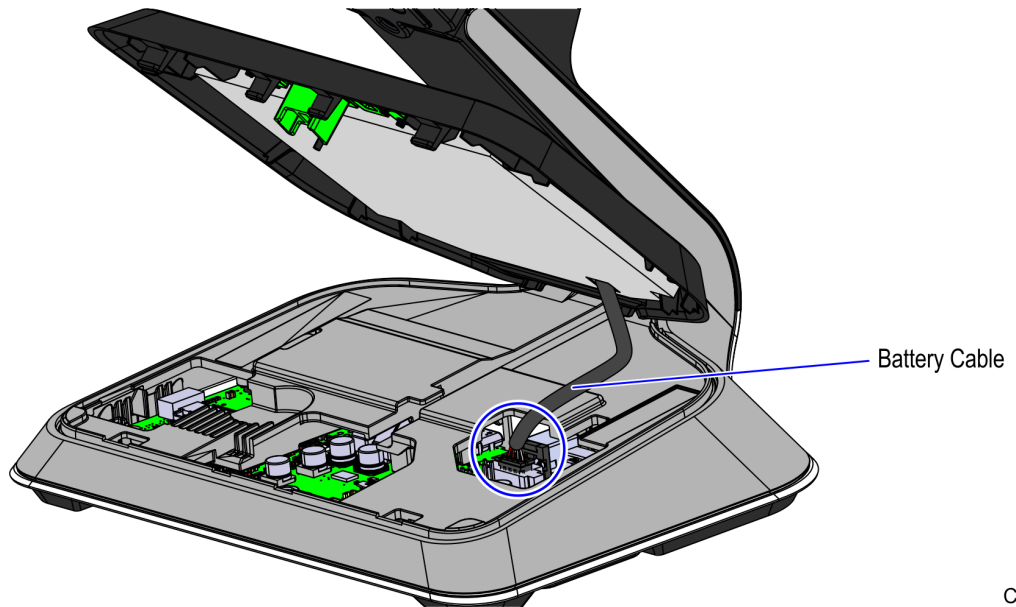
CCP-73941

- Slightly push the front side of the Stand Top Cover Assembly, and then pivot the cover open.



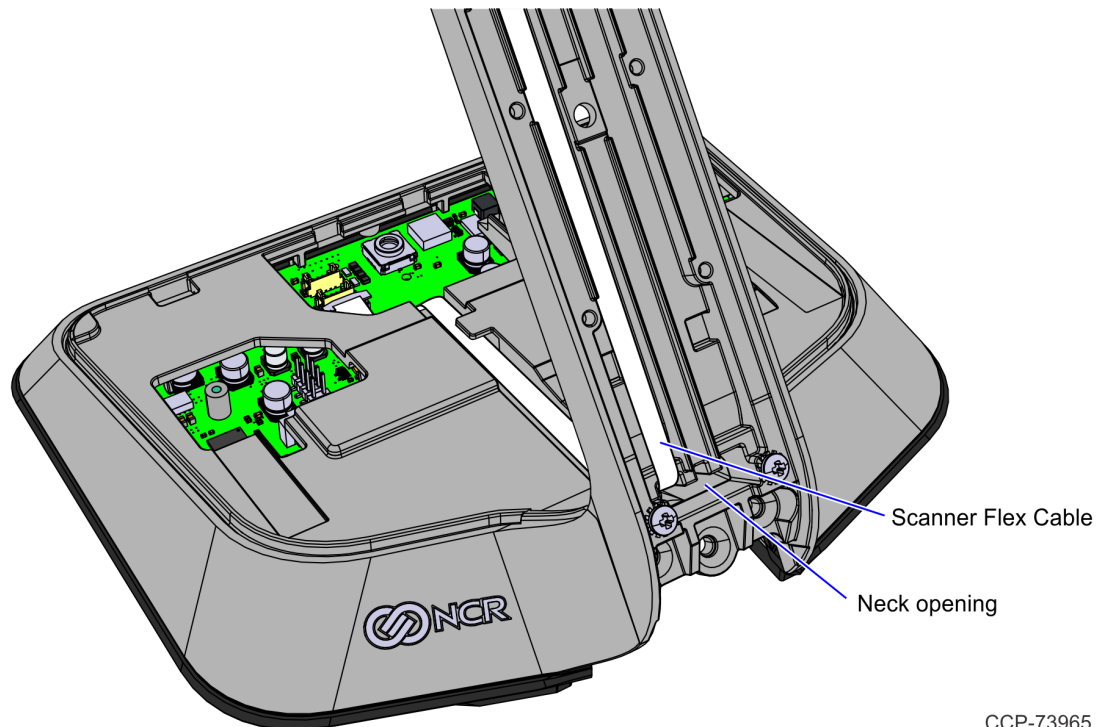
CCP-73942

10. For versions with battery, disconnect the battery cable from the Motherboard.



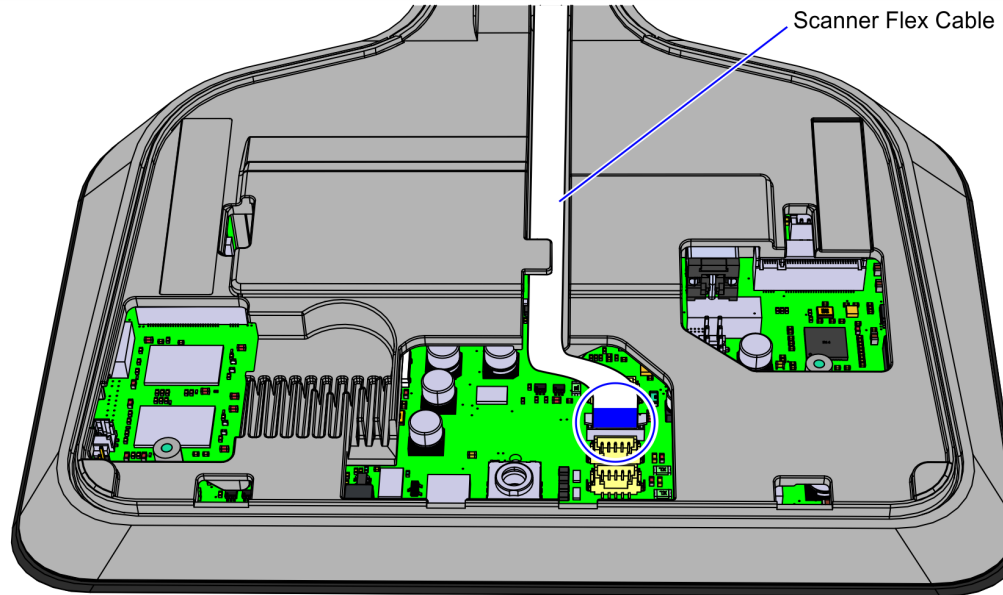
CCP-74181

11. Insert the scanner flex cable through the opening at the bottom of the neck.



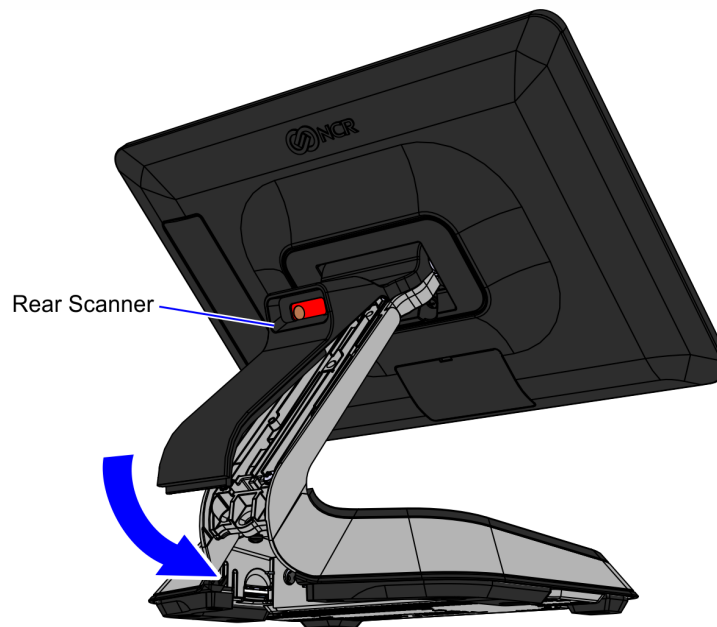
CCP-73965

- Route the scanner flex cable through the routing slot and connect the flex cable to the Motherboard with the blue side facing the front of the terminal.



CCP-73954

- Position the rear scanner on the neck and pivot down.



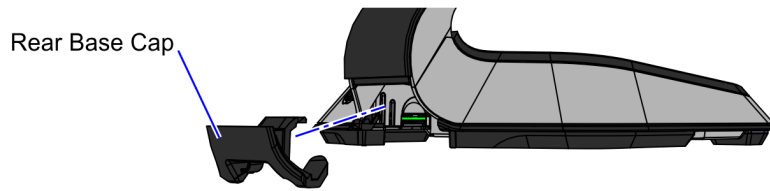
CCP-73955

- Lay the terminal face down on a flat surface.



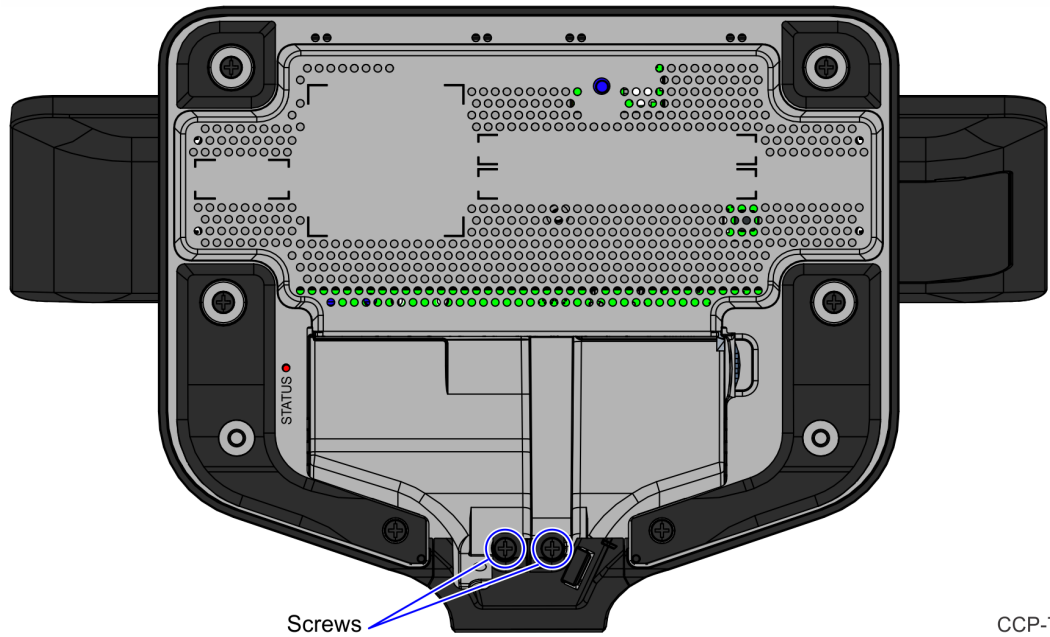
Caution: Always use a soft material (cloth, foam) to protect the display screen when placing the terminal face down.

15. While holding the terminal by the neck to hold the Rear Scanner in place, install the rear base cap.



CCP-73939

16. Install the screws (2) to secure the rear base cap on the neck.



CCP-73938

17. Reinstall the Stand Top Cover.
18. Reinstall the Front Neck Cover.