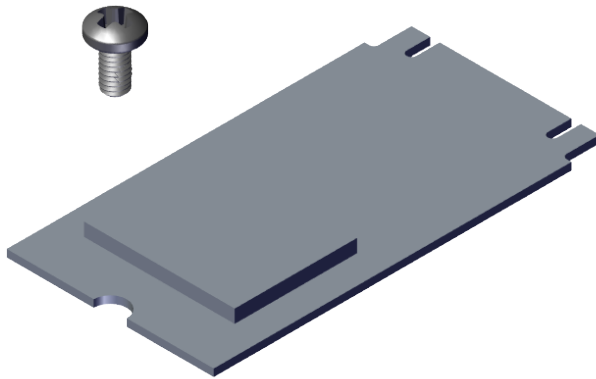


Kit Instructions

240GB M.2 SSD



7746-K243
Issue A



The product described in this document is a licensed product of NCR Corporation.

NCR is a registered trademark of NCR Corporation. NCR POS is a trademark of NCR Corporation in the United States and/or other countries. Other product names mentioned in this publication may be trademarks or registered trademarks of their respective companies and are hereby acknowledged.

The terms HDMI and HDMI High-Definition Multimedia Interface, and the HDMI Logo are trademarks or registered trademarks of HDMI Licensing LLC in the United States and other countries.

Where creation of derivative works, modifications or copies of this NCR copyrighted documentation is permitted under the terms and conditions of an agreement you have with NCR, NCR's copyright notice must be included.

It is the policy of NCR Corporation (NCR) to improve products as new technology, components, software, and firmware become available. NCR, therefore, reserves the right to change specifications without prior notice.

All features, functions, and operations described herein may not be marketed by NCR in all parts of the world. In some instances, photographs are of equipment prototypes. Therefore, before using this document, consult with your NCR representative or NCR office for information that is applicable and current.

To maintain the quality of our publications, we need your comments on the accuracy, clarity, organization, and value of this book. Please use the link below to send your comments.

Email: FD230036@ncr.com

Copyright © 2020
By NCR Corporation
Global Headquarters
864 Spring St NW
Atlanta, GA 30308
U.S.A.
All Rights Reserved

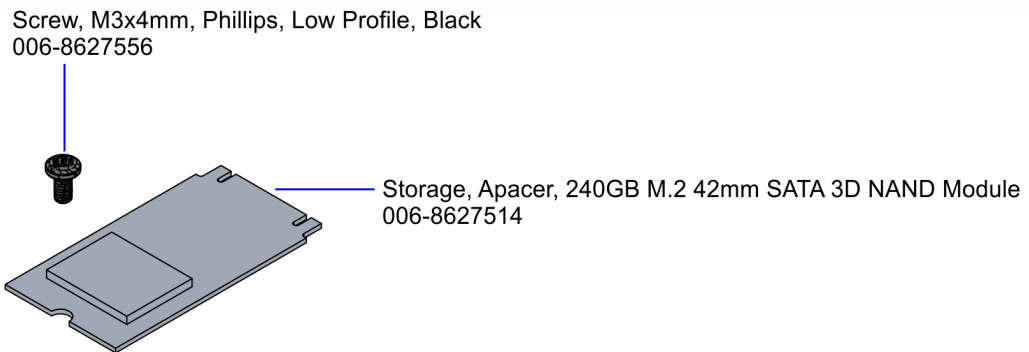
Revision Record

| Issue | Date | Remarks |
|-------|----------|-------------|
| A | Oct 2020 | First Issue |
| | | |
| | | |

240GB M.2 SSD

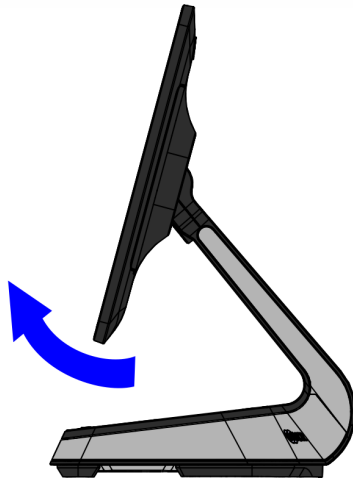
This kit provides a 240GB M.2 SSD for the NCR PX10/PX15 POS (7746).

Kit Contents



Installation Procedure

1. Pivot the display toward the back.



CCP-73935

2. Remove the screw (1) that secures the Front Neck Cover to the neck.

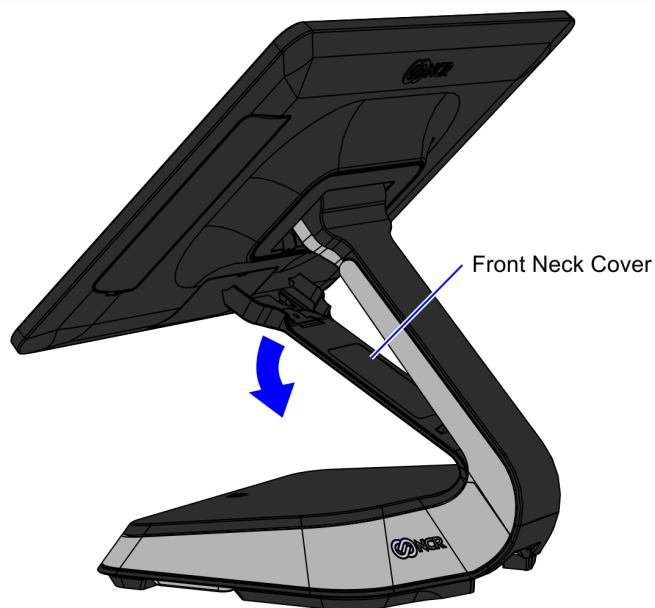


Note: Use only a screwdriver with a #1 Philips bit to avoid stripping the screw head.



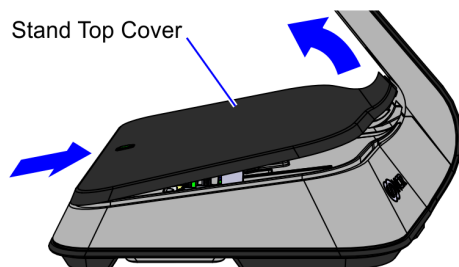
CCP-73936

3. Pivot the Front Neck Cover away from the terminal.



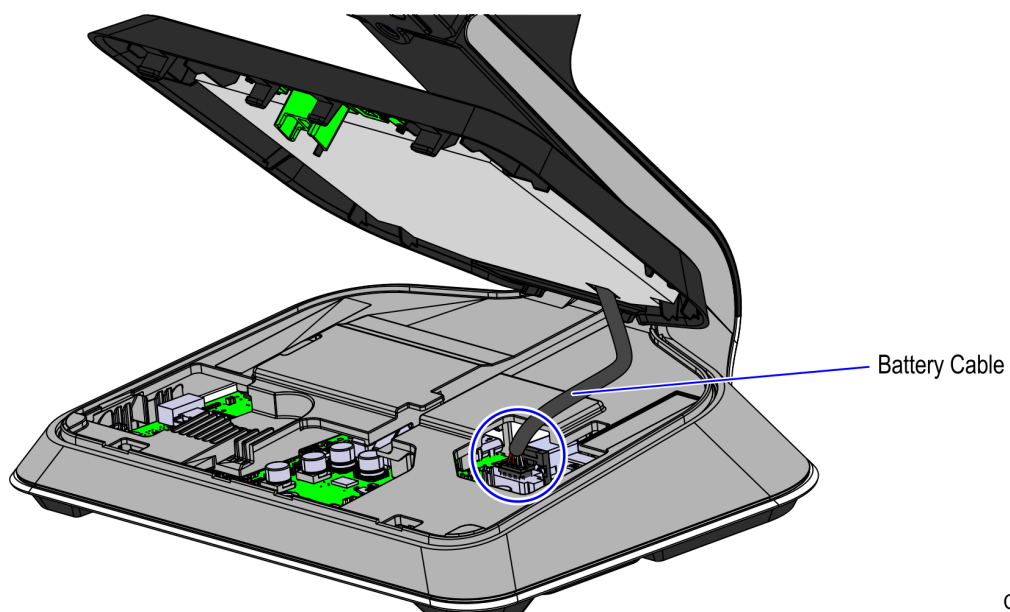
CCP-73937

4. Slightly push the front side of the Stand Top Cover Assembly, and then pivot the cover open.



CCP-73942

5. For versions with battery, disconnect the battery cable from the Motherboard.



CCP-74181

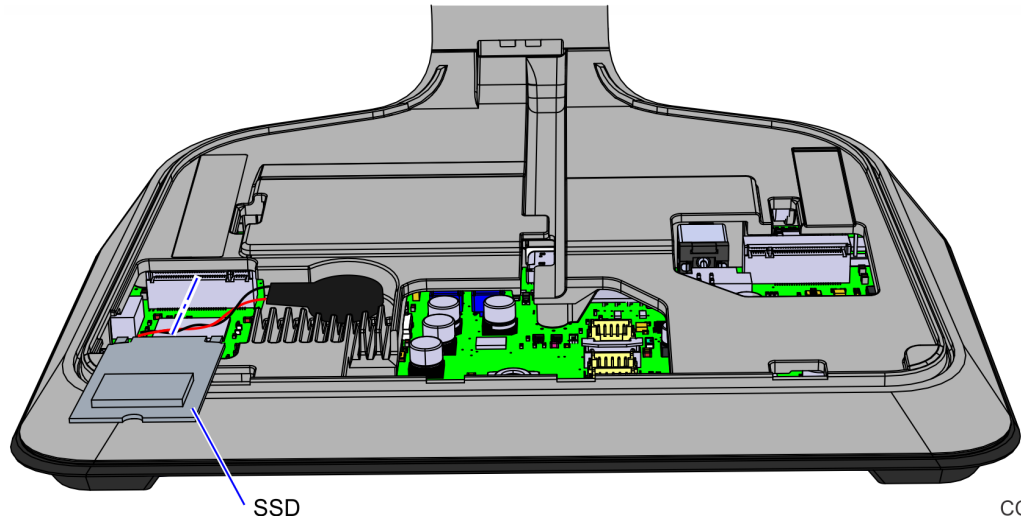
6. Insert the SSD into the slot on the Motherboard with the label side facing down.



Caution: Avoid touching the contacts on the bottom or the circuitry on the board.

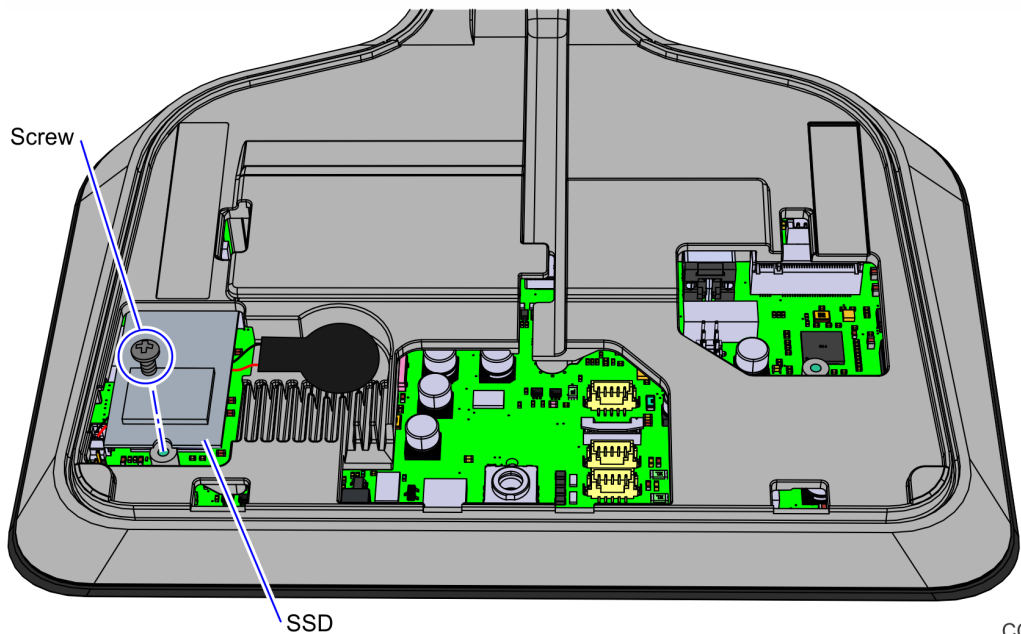


Note: If necessary, move the speaker cable down so that it does not block the insertion of the SSD. The speaker cable and RTC battery cable should be routed underneath the SSD.



CCP-73963

7. Secure the SSD in place using a screw (1).



CCP-73962

8. Reinstall the Stand Top Cover.
9. Reinstall the Front Neck Cover.