

Kit Instructions

2D Scanner, Front Mount



7746-K152
Issue A



The product described in this document is a licensed product of NCR Corporation.

NCR is a registered trademark of NCR Corporation. NCR POS is a trademark of NCR Corporation in the United States and/or other countries. Other product names mentioned in this publication may be trademarks or registered trademarks of their respective companies and are hereby acknowledged.

The terms HDMI and HDMI High-Definition Multimedia Interface, and the HDMI Logo are trademarks or registered trademarks of HDMI Licensing LLC in the United States and other countries.

Where creation of derivative works, modifications or copies of this NCR copyrighted documentation is permitted under the terms and conditions of an agreement you have with NCR, NCR's copyright notice must be included.

It is the policy of NCR Corporation (NCR) to improve products as new technology, components, software, and firmware become available. NCR, therefore, reserves the right to change specifications without prior notice.

All features, functions, and operations described herein may not be marketed by NCR in all parts of the world. In some instances, photographs are of equipment prototypes. Therefore, before using this document, consult with your NCR representative or NCR office for information that is applicable and current.

To maintain the quality of our publications, we need your comments on the accuracy, clarity, organization, and value of this book. Please use the link below to send your comments.

Email: FD230036@ncr.com

Copyright © 2020
By NCR Corporation
Global Headquarters
864 Spring St NW
Atlanta, GA 30308
U.S.A.
All Rights Reserved

Revision Record

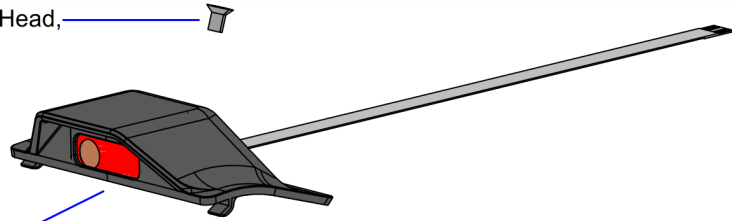
Issue	Date	Remarks
A	Sep 2020	First Issue

2D Scanner, Front Mount

This kit provides a front mount 2D Scanner for the NCR PX10/PX15 POS (7746).

Kit Contents

Screw, M3x5, Steel, Flat Head, Phillips, Black Oxide
006-8626235

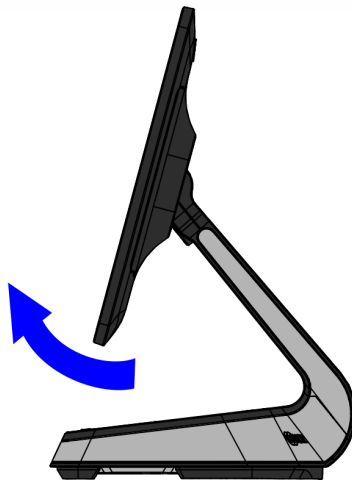


2D Scanner Assembly
497-0517166 Adhesive, Scanner Module
497-0518238 Scanner Housing, 7746
497-0518856 Flex Cable, Front Mount Scanner, 7746
497-0518955 Scanner Lens Assembly, 7746
497-0521287 Barcode Image Engine, Honeywell N3680, NCR configuration

CCP-79581

Installation Procedure

1. Pivot the display toward the back.



CCP-73935

2. Remove the screw (1) that secures the Front Neck Cover to the neck.

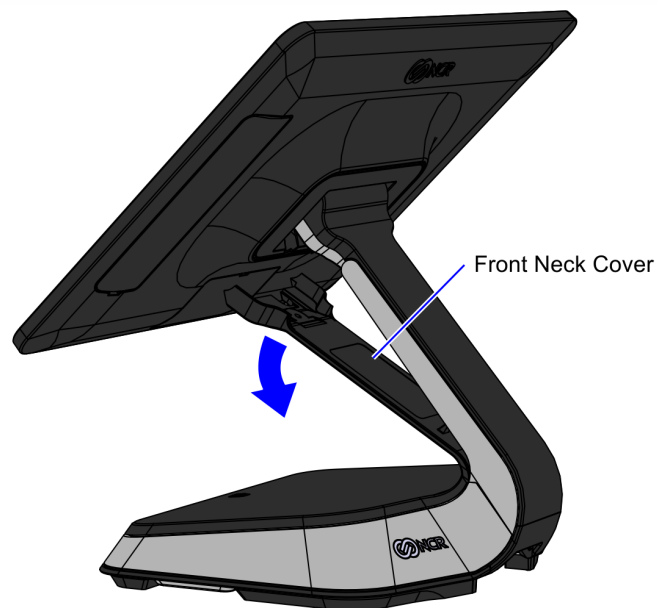


Note: Use only a screwdriver with a #1 Philips bit to avoid stripping the screw head.



CCP-73936

3. Pivot the Front Neck Cover away from the terminal.



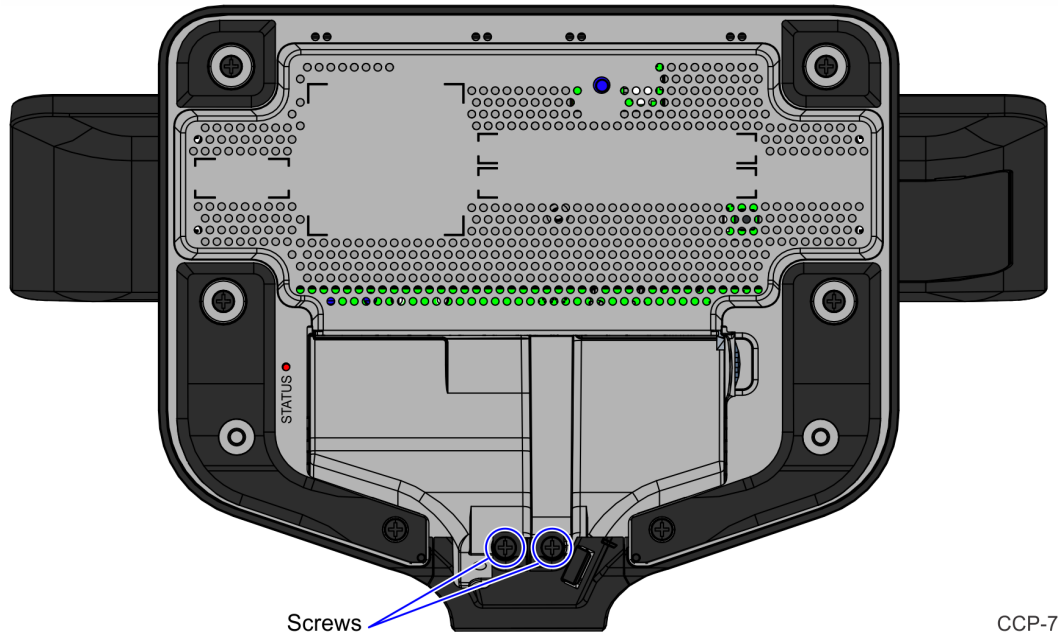
CCP-73937

4. Lay the terminal face down on a flat surface.



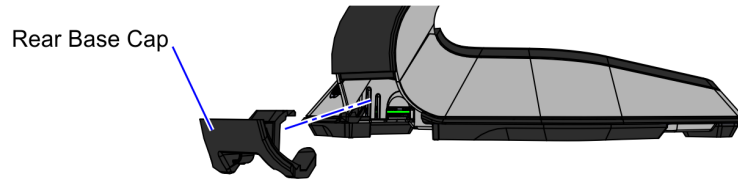
Caution: Always use a soft material (cloth, foam) to protect the display screen when placing the terminal face down.

5. Remove the screws (2) that secure the Rear Base Cap to the Neck.



CCP-73938

6. Remove the Rear Base Cap.



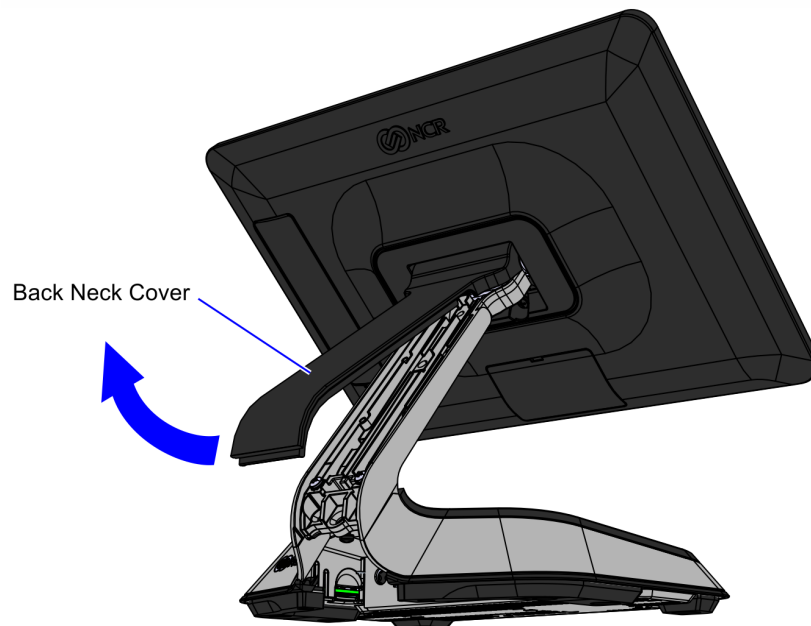
CCP-73939

7. Set the terminal to stand upright, and then pivot the display toward the front.



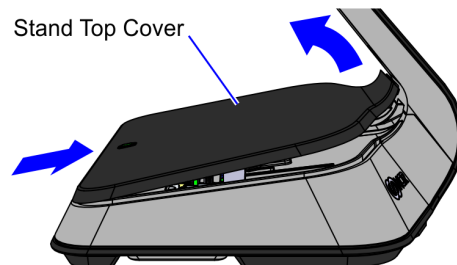
CCP-73940

- Pivot the Back Neck Cover away from the terminal.



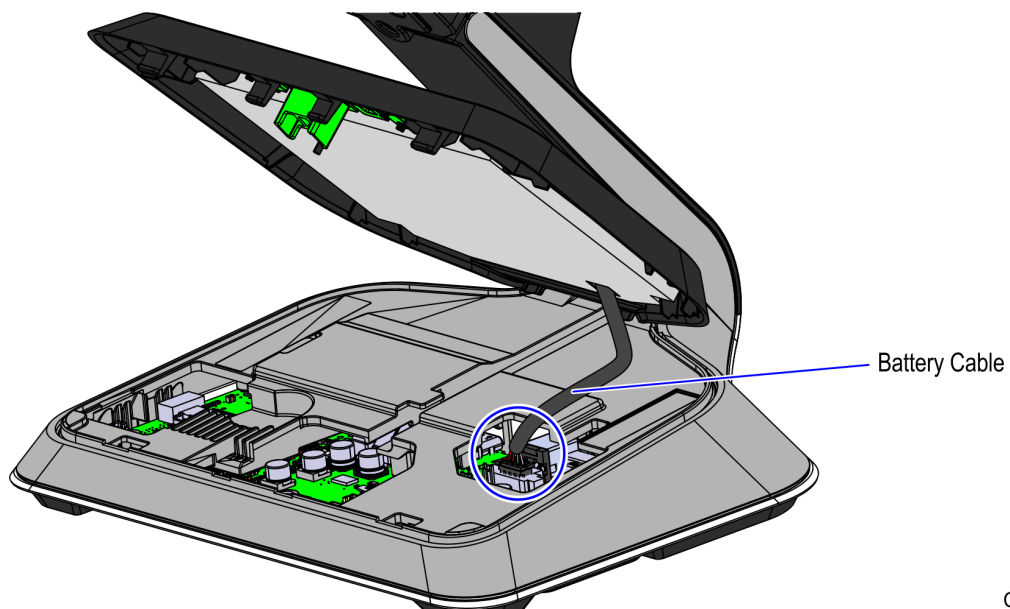
CCP-73941

- Slightly push the front side of the Stand Top Cover Assembly, and then pivot the cover open.



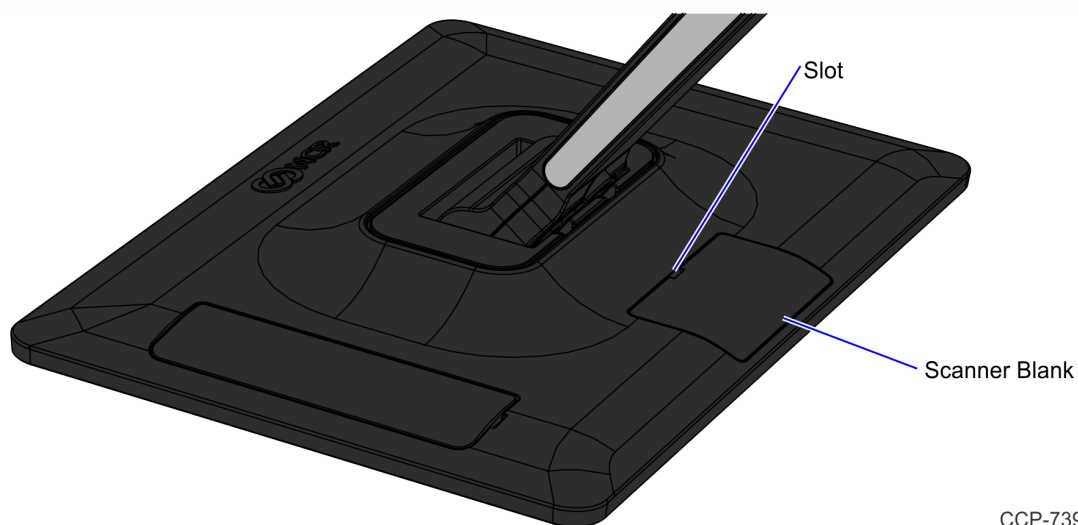
CCP-73942

10. For versions with battery, disconnect the battery cable from the Motherboard.



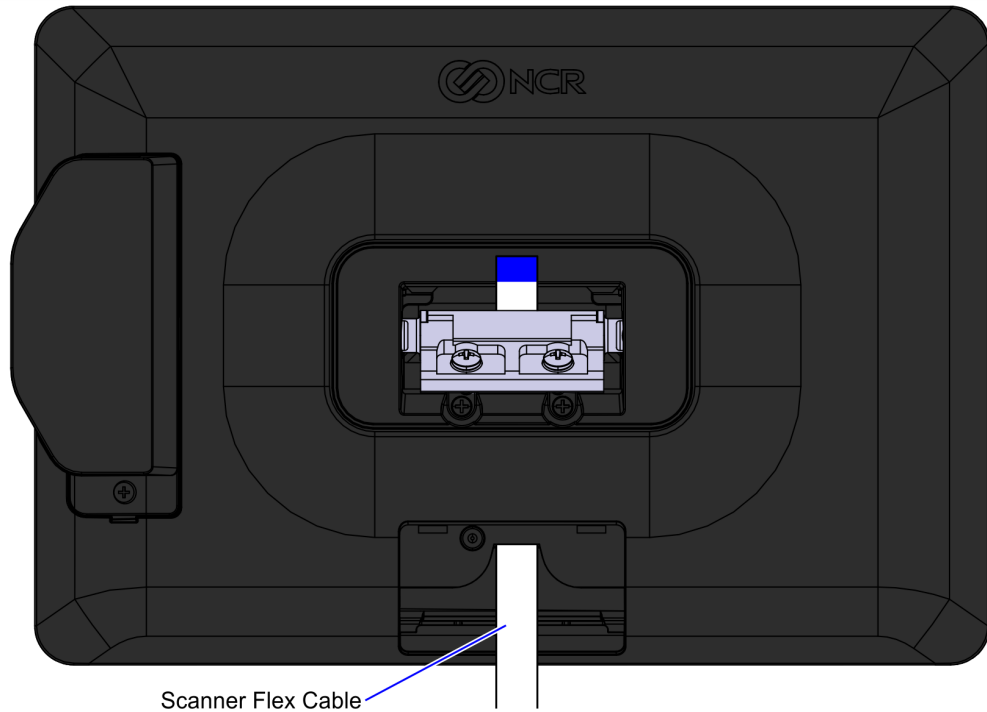
CCP-74181

11. Insert a flat screw driver in the slot to unsnap the Scanner Blank from the display housing.

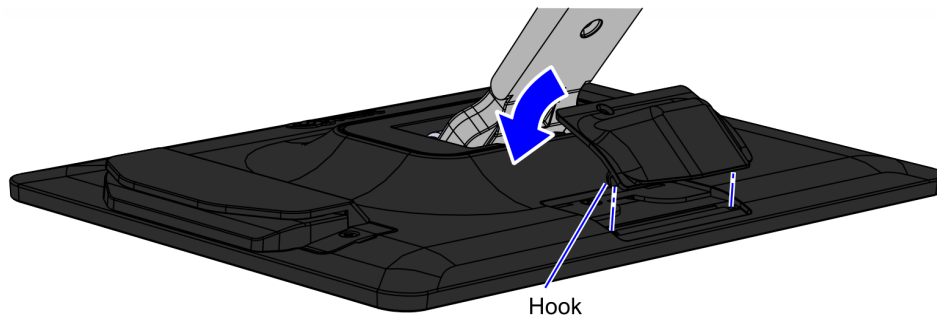


CCP-73958

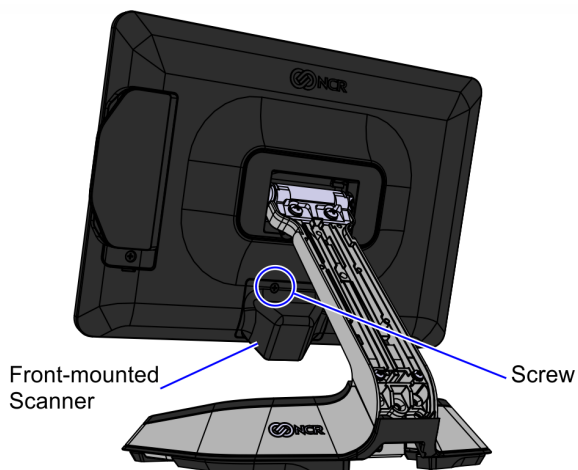
12. Insert the end of the Scanner flex cable through the opening on the display housing until the cable is visible above the neck.



13. Using tweezers or a plastic hook, pull the cable out of the neck area.
14. Hook the Scanner into the housing and pivot into place.

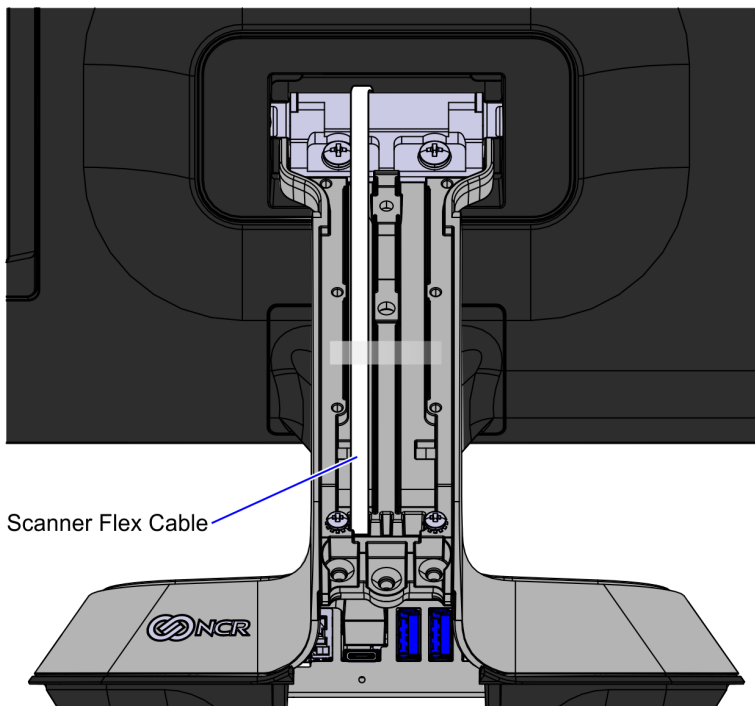


15. Secure the Scanner using a screw.



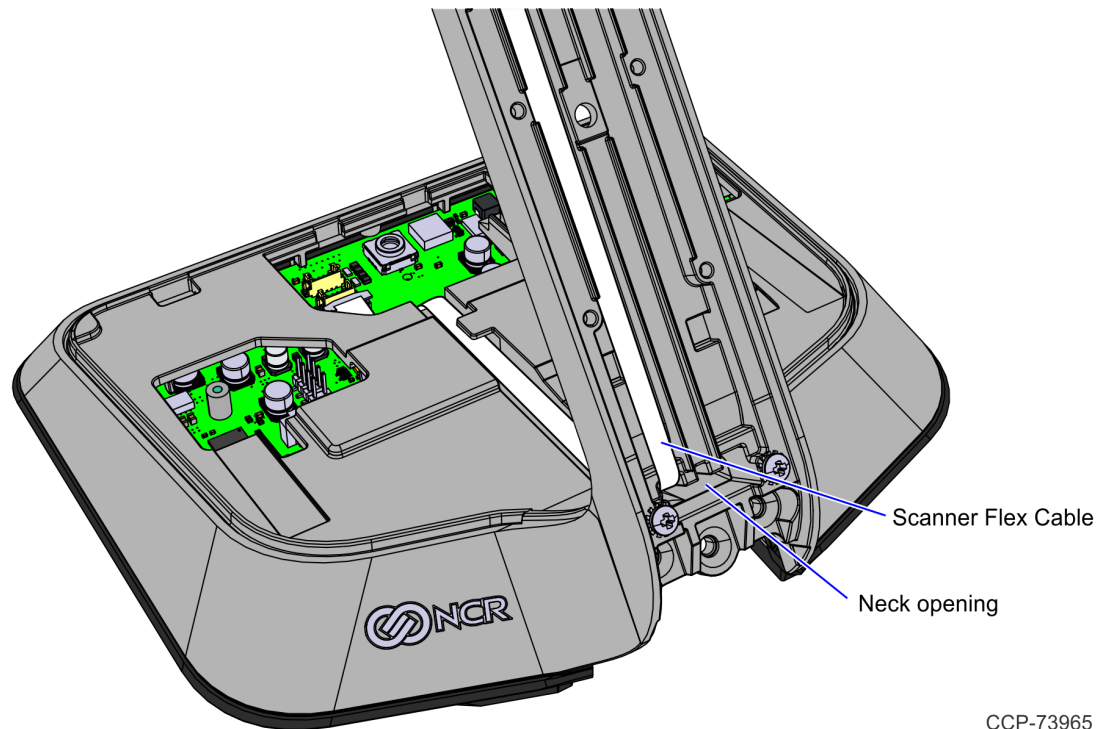
CCP-73949

16. Route and tape the cable down the left channel of the neck stand.

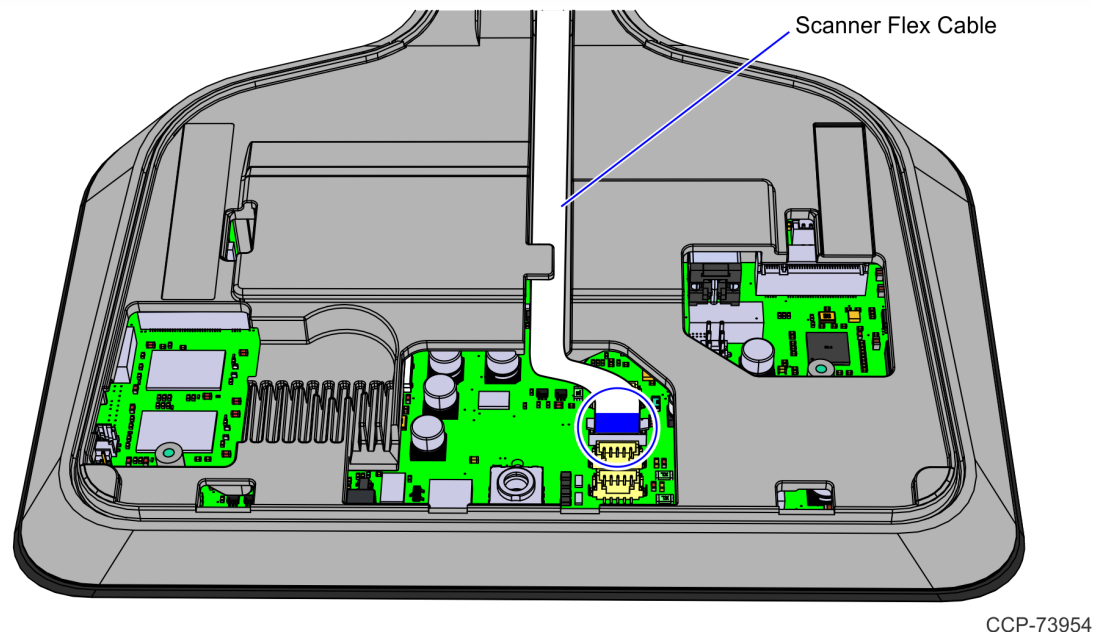


CCP-73970

17. Insert the scanner cable through the opening at the bottom of the neck.



18. Route the scanner flex cable through the routing slot and connect the flex cable to the Motherboard with the blue side facing out.



19. Reinstall the Stand Top Cover.
20. Reinstall the Back Neck Cover.
21. Reinstall the Rear Base Cap.

22. Reinstall the Front Neck Cover.