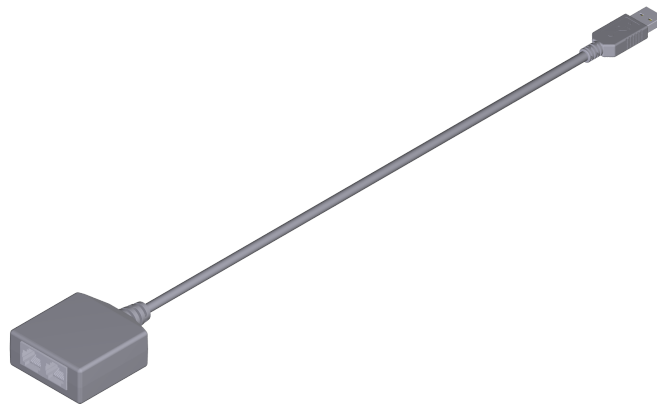


Kit Instructions

USB-A to 2x RJ45 Serial Hub



1639-K465
Issue A



The product described in this document is a licensed product of NCR Corporation.

NCR is a registered trademark of NCR Corporation. NCR POS is a trademark of NCR Corporation in the United States and/or other countries. Other product names mentioned in this publication may be trademarks or registered trademarks of their respective companies and are hereby acknowledged.

The terms HDMI and HDMI High-Definition Multimedia Interface, and the HDMI Logo are trademarks or registered trademarks of HDMI Licensing LLC in the United States and other countries.

Where creation of derivative works, modifications or copies of this NCR copyrighted documentation is permitted under the terms and conditions of an agreement you have with NCR, NCR's copyright notice must be included.

It is the policy of NCR Corporation (NCR) to improve products as new technology, components, software, and firmware become available. NCR, therefore, reserves the right to change specifications without prior notice.

All features, functions, and operations described herein may not be marketed by NCR in all parts of the world. In some instances, photographs are of equipment prototypes. Therefore, before using this document, consult with your NCR representative or NCR office for information that is applicable and current.

To maintain the quality of our publications, we need your comments on the accuracy, clarity, organization, and value of this book. Please use the link below to send your comments.

Email: FD230036@ncr.com

Copyright © 2022

By NCR Corporation

Global Headquarters

864 Spring St NW

Atlanta, GA 30308

U.S.A.

All Rights Reserved

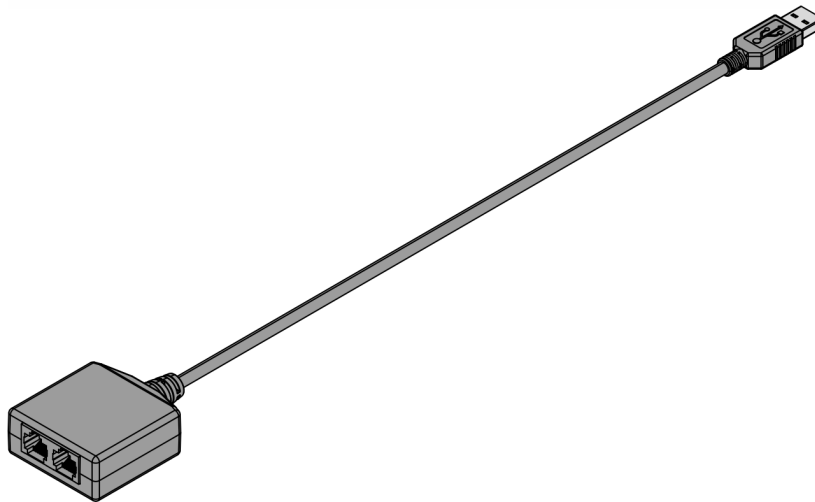
Revision Record

Issue	Date	Remarks
A	Feb 2022	First Issue

USB-A to 2x RJ45 Serial Hub

This kit contains a Serial Hub that connects to the NCR PX10/PX15 POS (7746) via USB port. It provides two additional RJ45 Serial ports.

Kit Contents



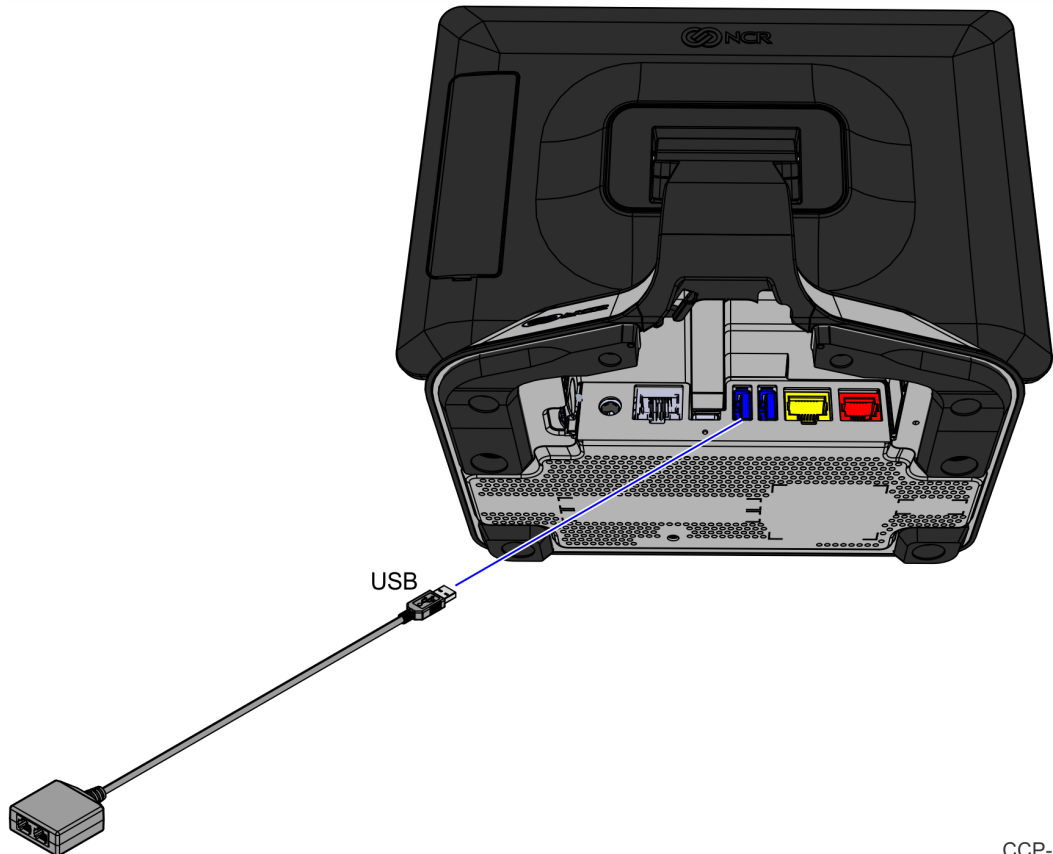
CCP-82167

Part Number	Description
497-0525219	USB-A to 2x RJ45 Serial Hub

Installation Procedure

To install the Serial Hub and corresponding driver, follow these steps:

1. Connect the USB connector of the Serial Hub to any available USB port on the PX terminal.



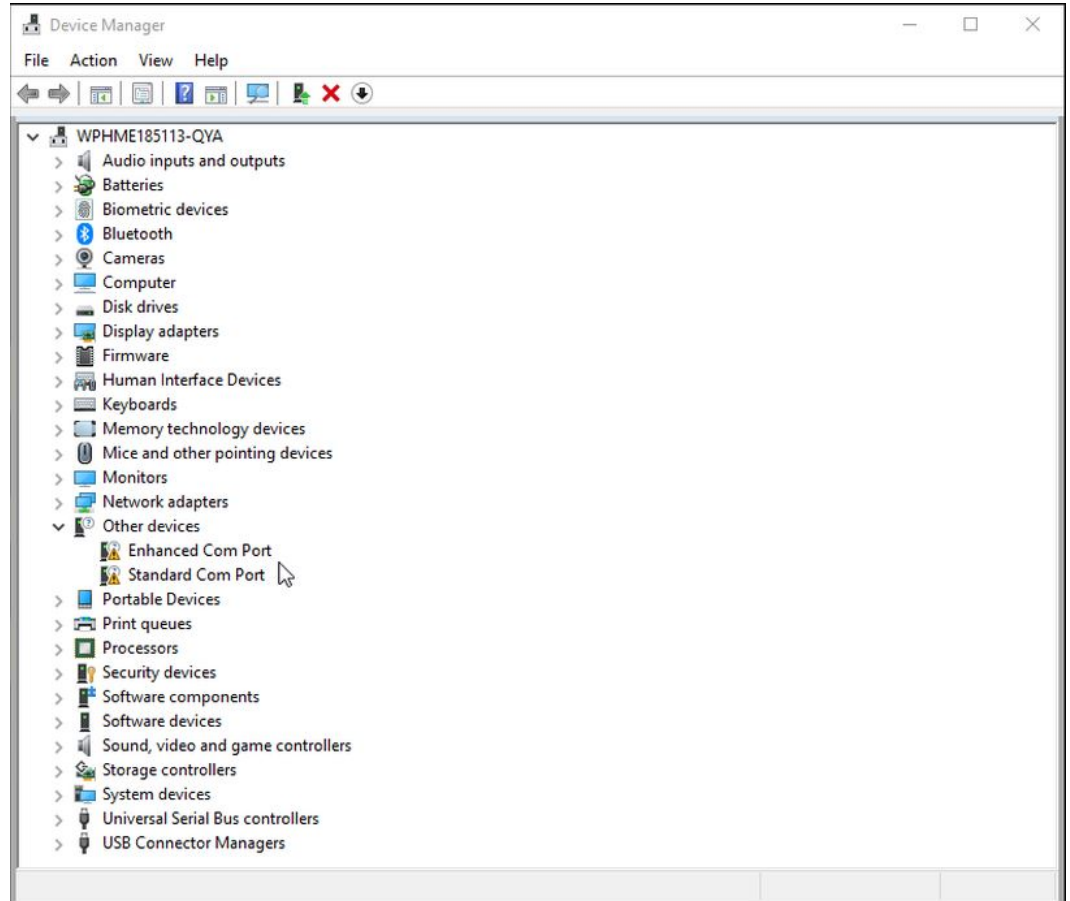
CCP-82168

2. Install the drivers by doing the following:
 - a. Download the Silabs Driver from the following location:
https://www5.ncr.com/support/support_drivers_patches.asp?Class=External/Silabs\Windows\Driver
 - b. Unzip the file to a preferred folder in the PX terminal.

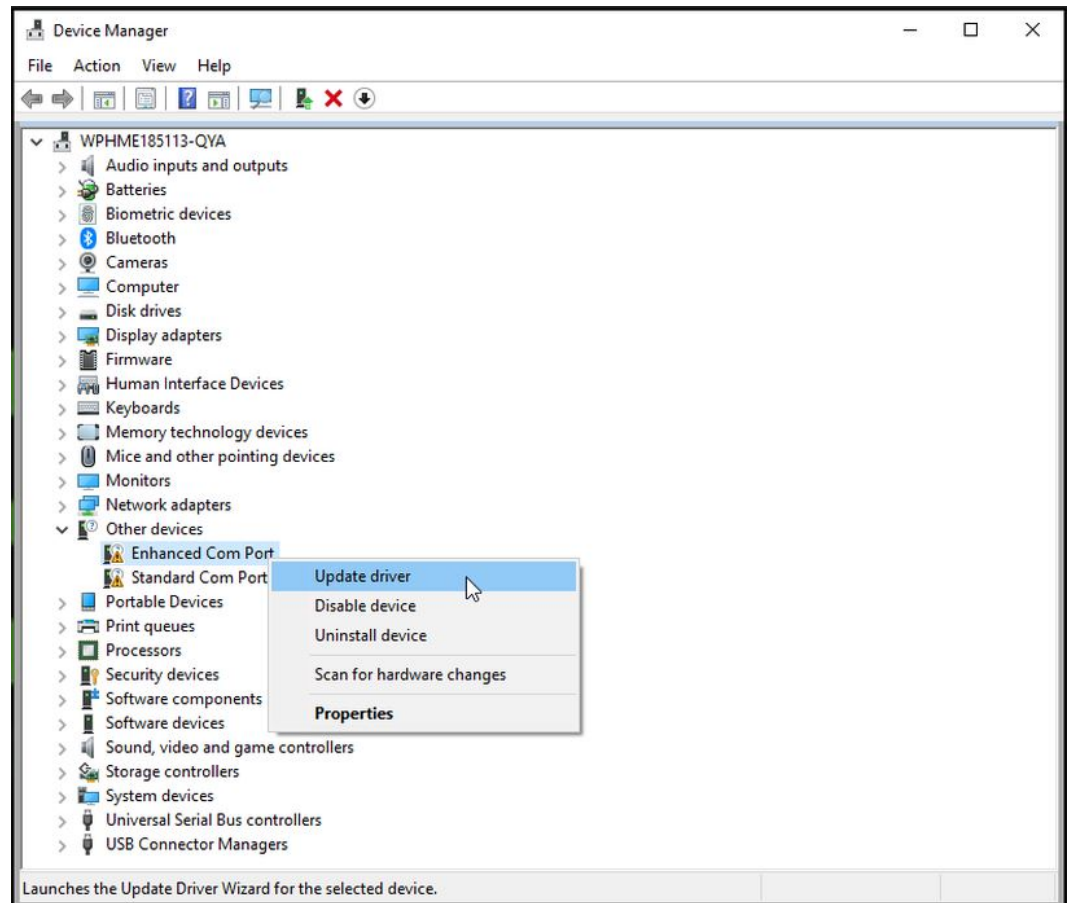
- c. Go to **Device Manager** >> **Other devices**.



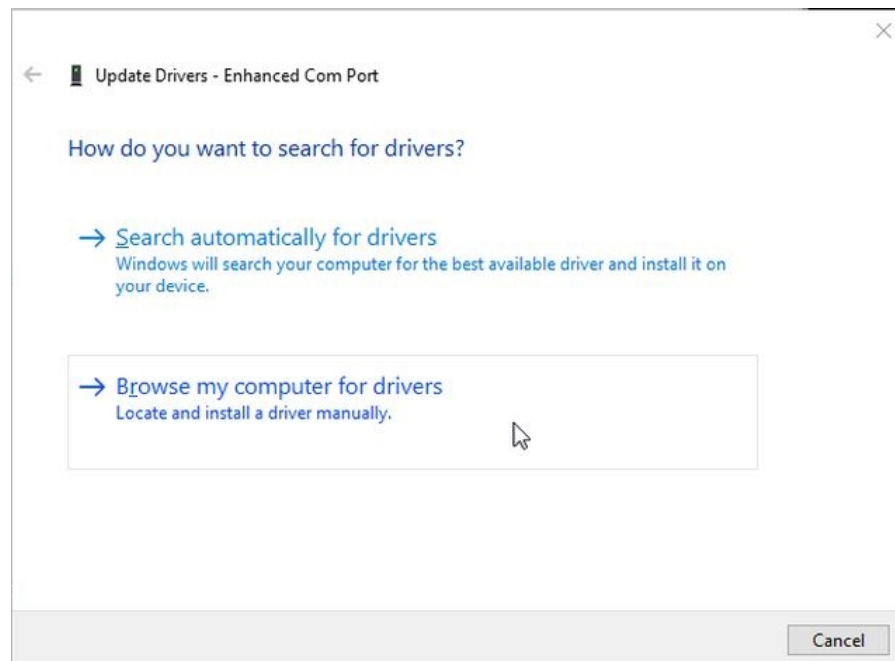
Note: If the device is already plugged into the unit, the device will appear with a warning icon ⚠.



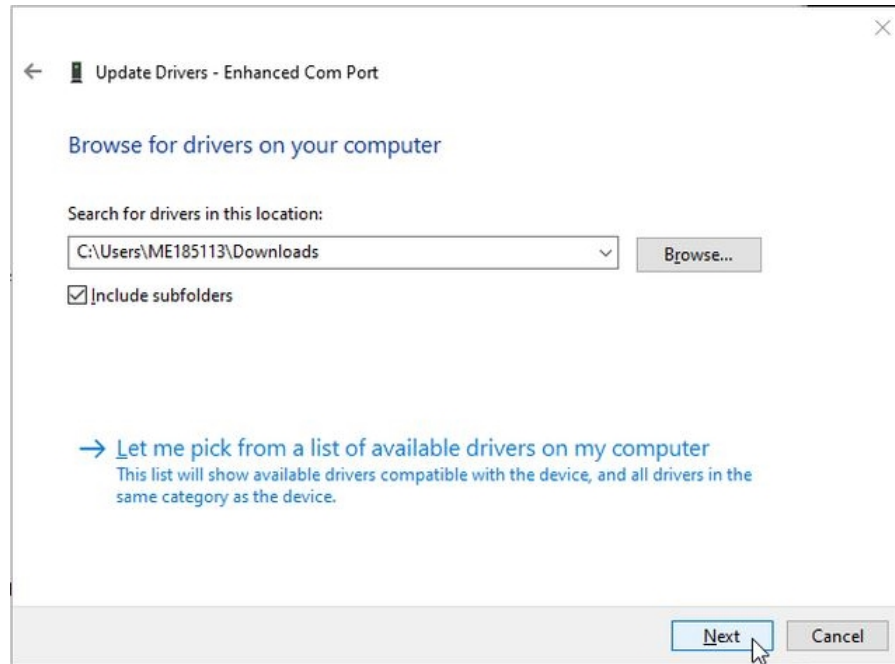
- d. From the **Other devices** option, right-click **Enhanced Com Port**.



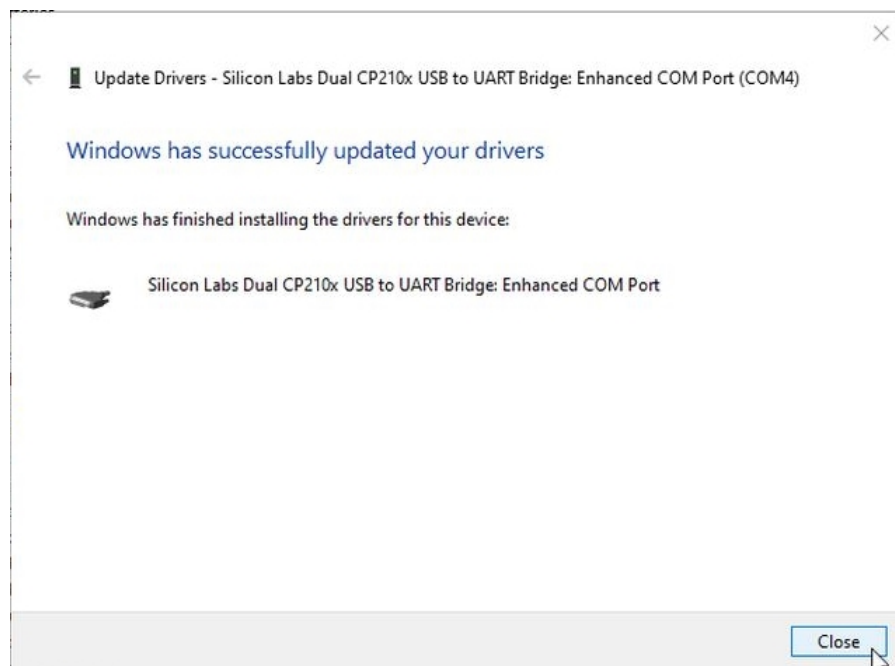
- e. Select **Update driver**. The *Update Drivers* window is displayed.



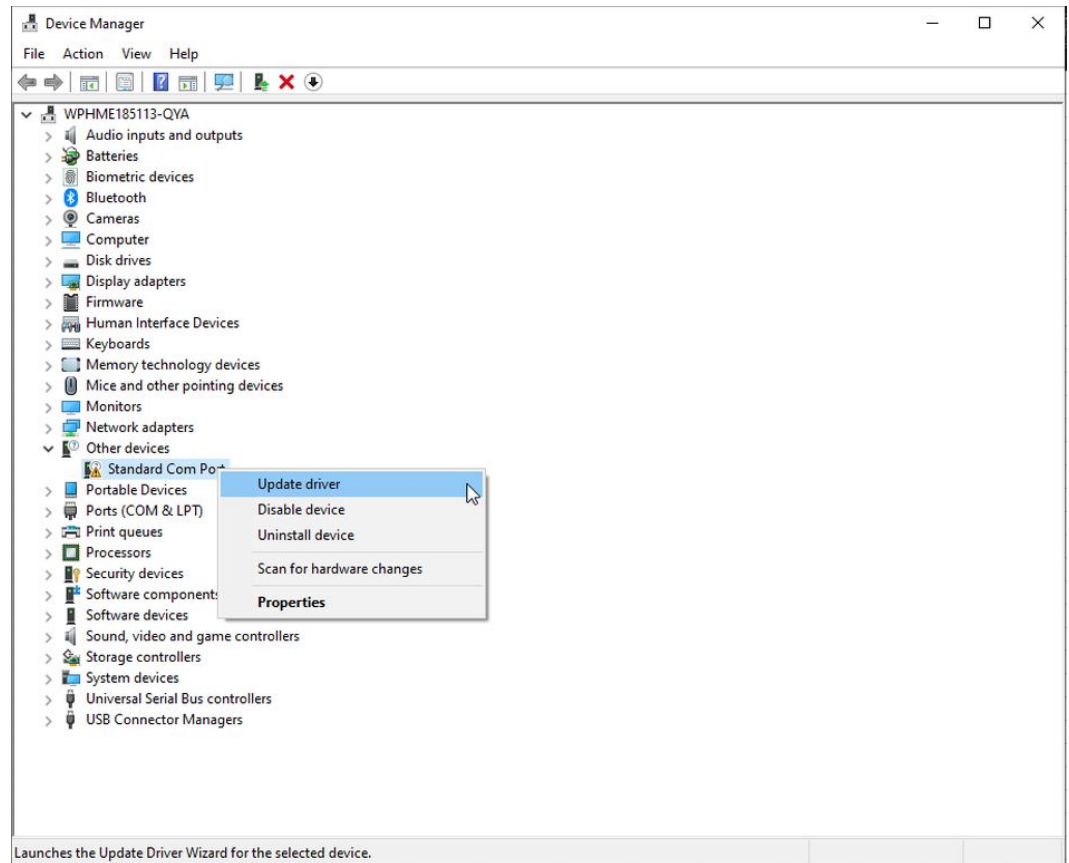
- f. Select **Browse my computer for drivers** to navigate to the unzipped folder.
- g. Select the **Next** button. The installation will take several minutes.



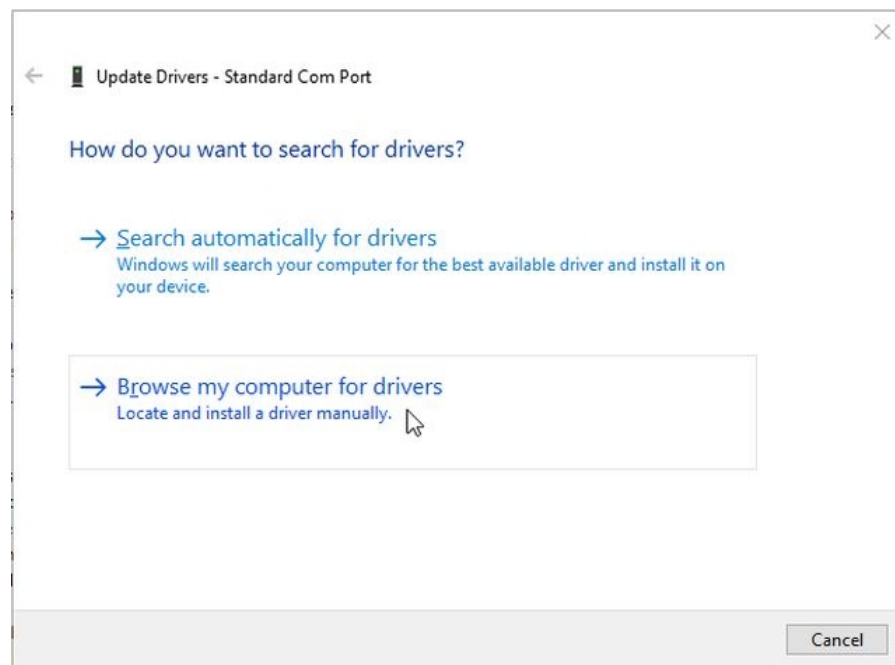
- h. After the installation is completed, select the **Close** button.



- i. From the **Other devices** option, right-click **Standard Com Port**.

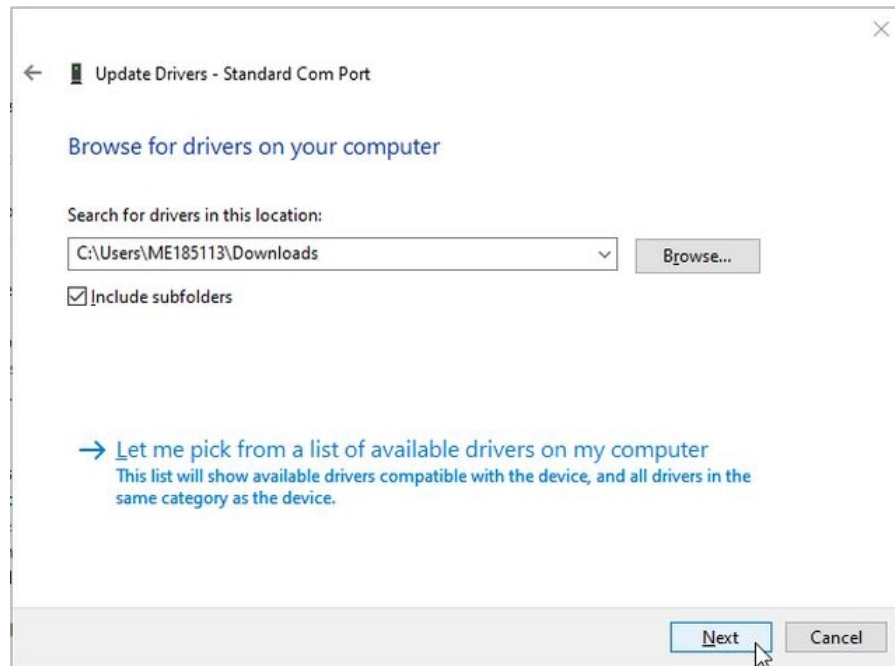


- j. Select **Update driver**. The *Update Drivers* window is displayed.

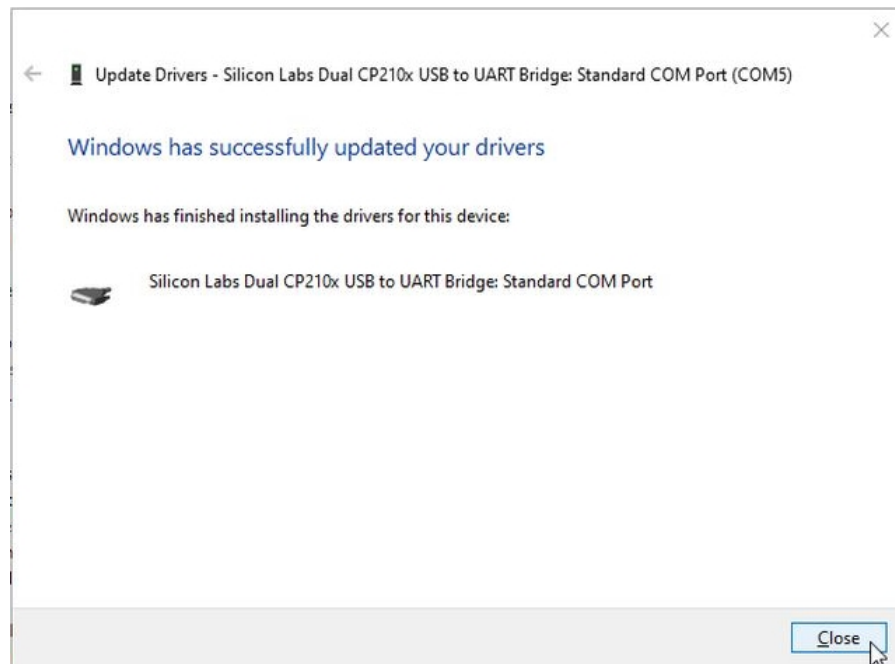


- k. Select **Browse my computer for drivers** to navigate to the unzipped folder.

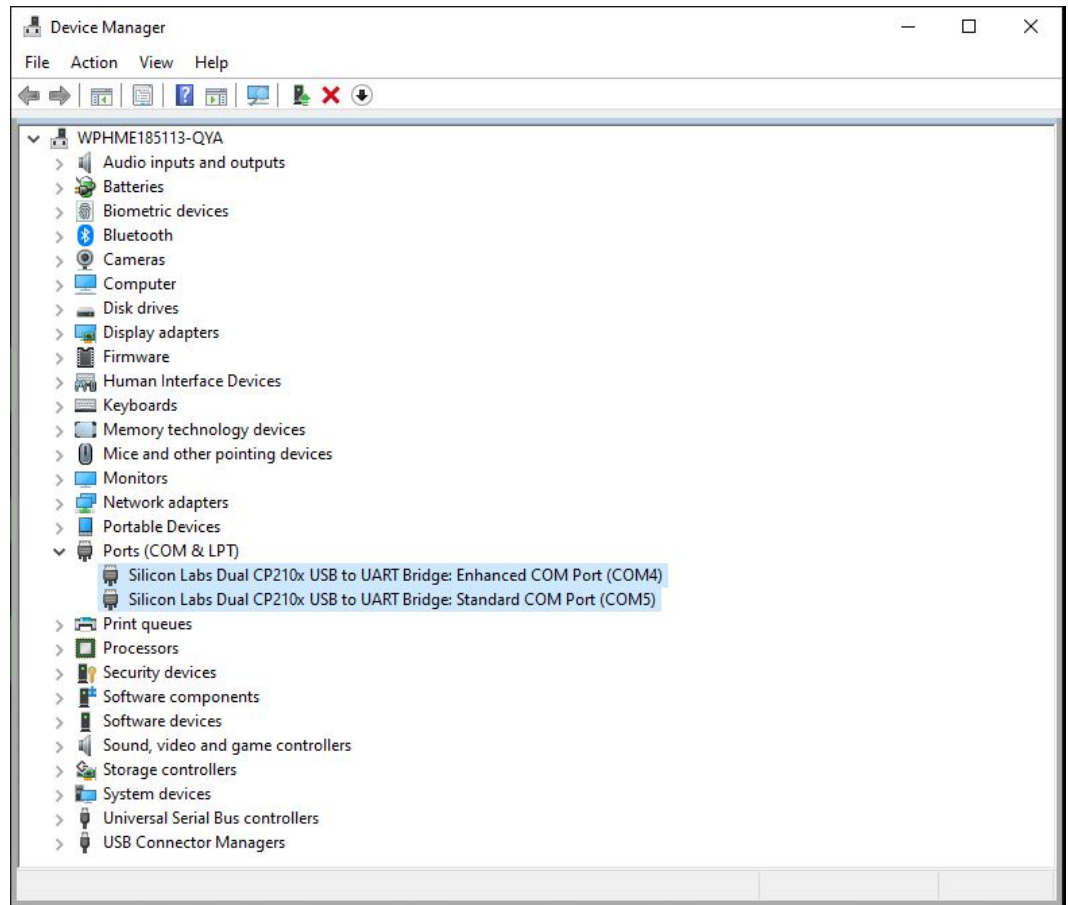
1. Select the **Next** button. The installation will take several minutes.



- m. After the installation is completed, select the **Close** button.



In the *Device Manager* window, the usable ports are now displayed under Ports.



- From the *Device Manager* window, select the **Scan for hardware changes** button to check that all connected hardware peripherals have updated drivers. Ensure that all drivers do not appear with a warning icon ⚠ to indicate that there are no driver issues.

