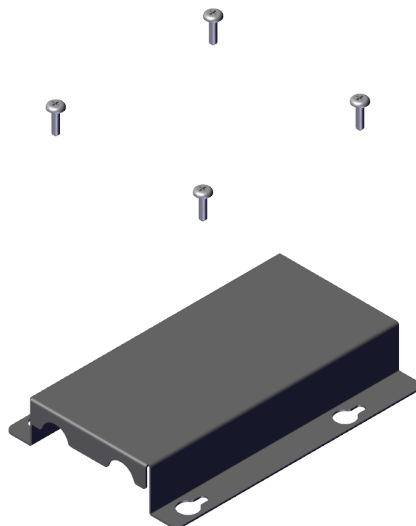




NCR Voyix CX8 POS (7736)

Power Supply Mounting Bracket

Kit Instructions



7736-K321

Issue C

Copyright and Trademark Information

The product described in this document is a licensed product of NCR Voyix Corporation.

NCR Voyix CX8 POS (7736) is a trademark of NCR Voyix Corporation in the United States and/or other countries. Other product names mentioned in this publication may be trademarks or registered trademarks of their respective companies and are hereby acknowledged.

Where creation of derivative works, modifications or copies of this NCR Voyix copyrighted documentation is permitted under the terms and conditions of an agreement you have with NCR Voyix, NCR Voyix's copyright notice must be included.

Disclaimer:

It is the policy of NCR Voyix Corporation to improve products as technology, components, software and firmware become available. NCR Voyix therefore reserves the right to change specifications without prior notice.

All features, functions and operations described herein may not be marketed by NCR Voyix in all parts of the world. In some instances, photographs are of equipment prototypes.

Therefore, before using this document, consult with your NCR Voyix representative or NCR Voyix office for information that is applicable and current.

Copyright © 2020–2026

By NCR Voyix Corporation

Atlanta, Georgia, USA

All Rights Reserved

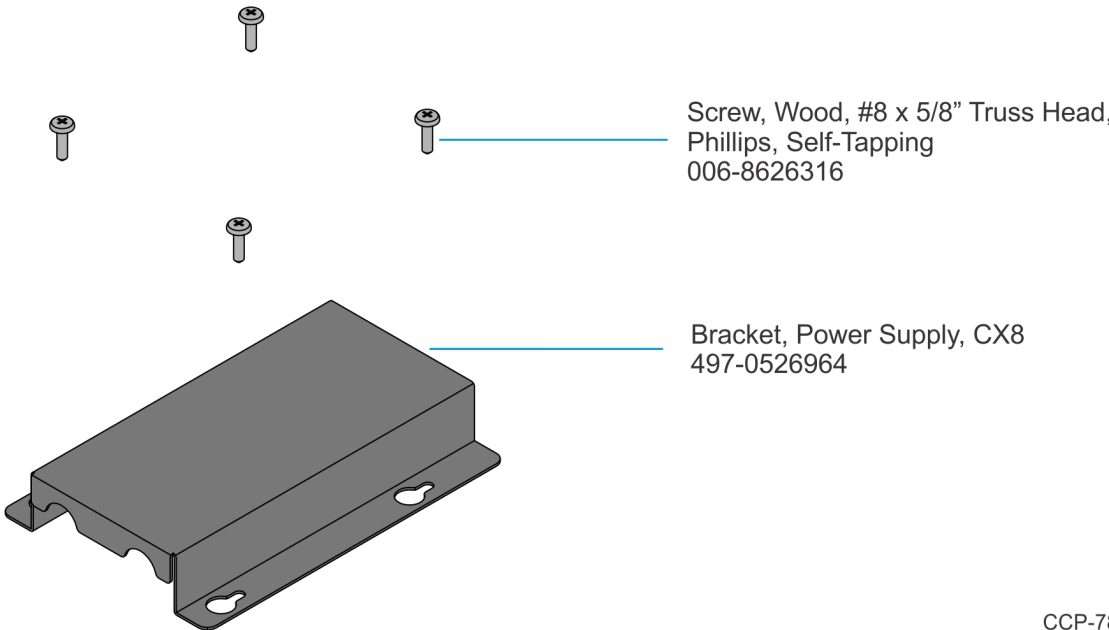
Revision Record

Issue	Date	Remarks
A	Aug 2020	First Issue
B	Aug 2024	Updated to NCR Voyix template
C	Jan 2026	Changed NCR to NCR Voyix

Power Supply Mounting Bracket

This kit provides a Power Supply Mounting Bracket for the NCR Voyix CX8 POS (7736) Power Supply.

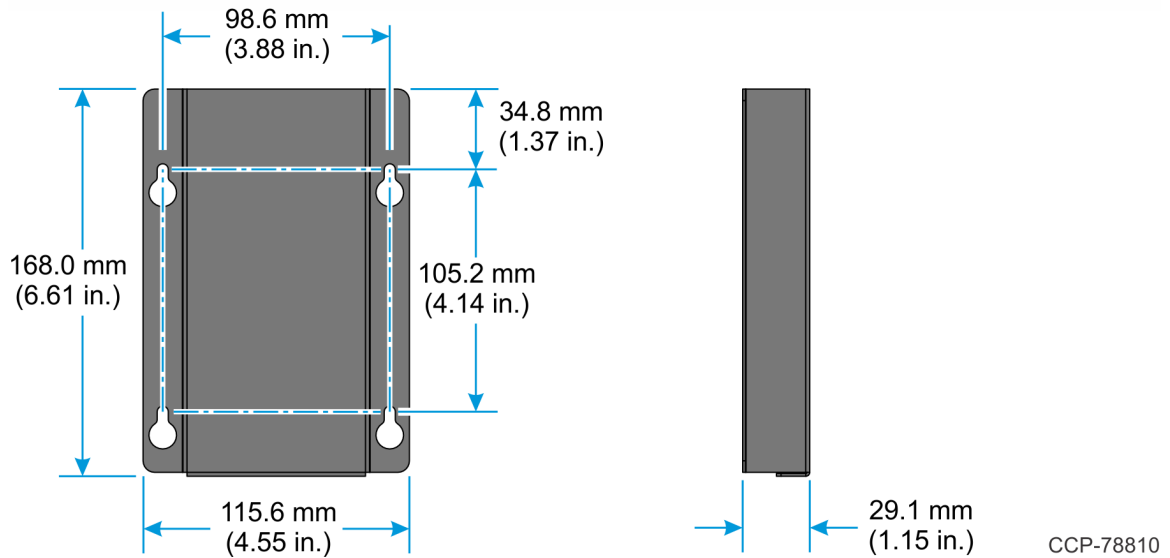
Kit Contents



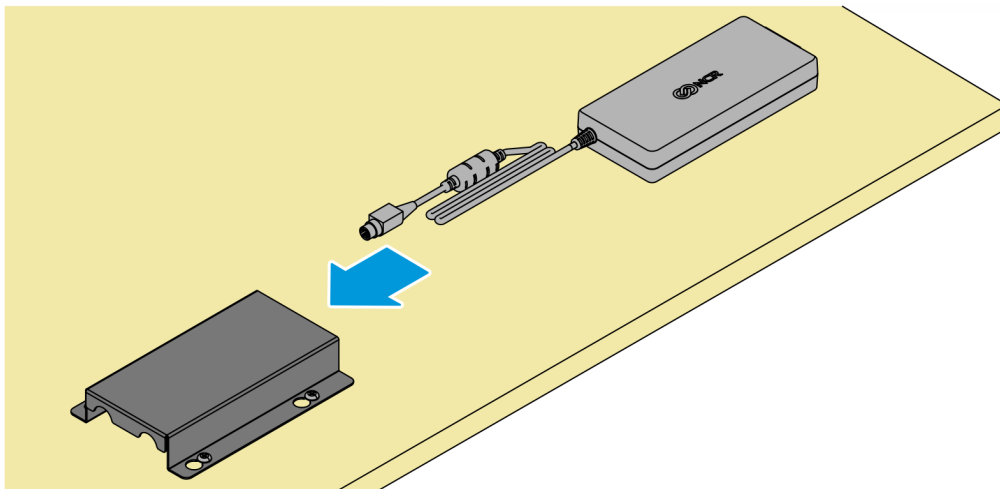
CCP-78886

Installation Procedure

1. Use the dimensions shown below or use the Power Supply Bracket as a template to mark the location of the holes. Secure the Bracket using four (4) wood screws.



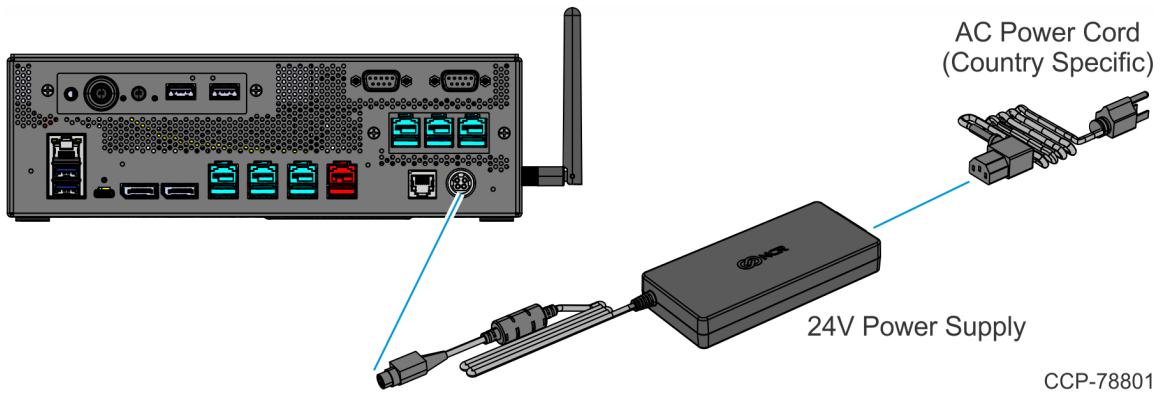
2. Insert the Power Supply into the Bracket (Power Supply Cable end in first).



3. Connect the Power Supply Cable to the Power In connector on the terminal.

Note

For clarity, the Power Supply Bracket is not shown in the illustration below.



4. Connect the AC Power Cord to the Power Supply, then to an AC outlet.

Caution

Do not connect or disconnect the Power Cable from the terminal with the AC Power Cord connected to an AC outlet.