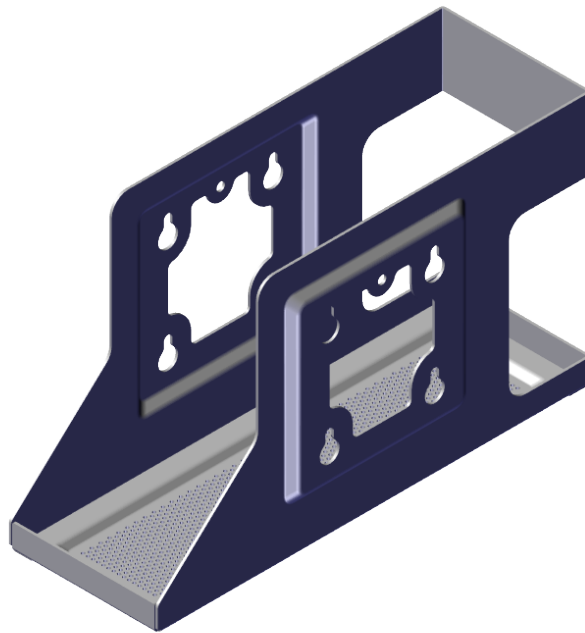


Kit Instructions

CX8 Mounting Bracket



7736-K320
Issue A



The product described in this document is a licensed product of NCR Corporation.

NCR is a registered trademark of NCR Corporation. Product names mentioned in this publication may be trademarks or registered trademarks of their respective companies and are hereby acknowledged.

Where creation of derivative works, modifications or copies of this NCR copyrighted documentation is permitted under the terms and conditions of an agreement you have with NCR, NCR's copyright notice must be included.

It is the policy of NCR Corporation (NCR) to improve products as new technology, components, software, and firmware become available. NCR, therefore, reserves the right to change specifications without prior notice.

All features, functions, and operations described herein may not be marketed by NCR in all parts of the world. In some instances, photographs are of equipment prototypes. Therefore, before using this document, consult with your NCR representative or NCR office for information that is applicable and current.

To maintain the quality of our publications, we need your comments on the accuracy, clarity, organization, and value of this book. Please use the link below to send your comments.

Email: FD230036@ncr.com

Copyright © 2021
By NCR Corporation
Global Headquarters
864 Spring St NW
Atlanta, GA 30308
U.S.A.
All Rights Reserved

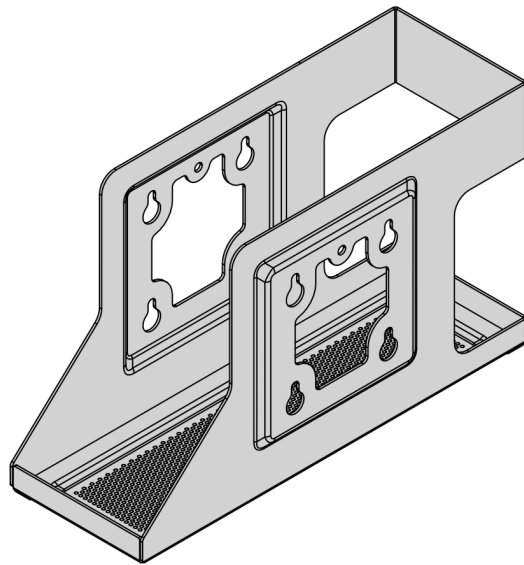
Revision Record

Issue	Date	Remarks
A	Jul 2021	First Issue

CX8 Mounting Bracket

This kit provides a Mounting Bracket to mount the NCR CX8 POS (7736) on a wall.

Kit Contents

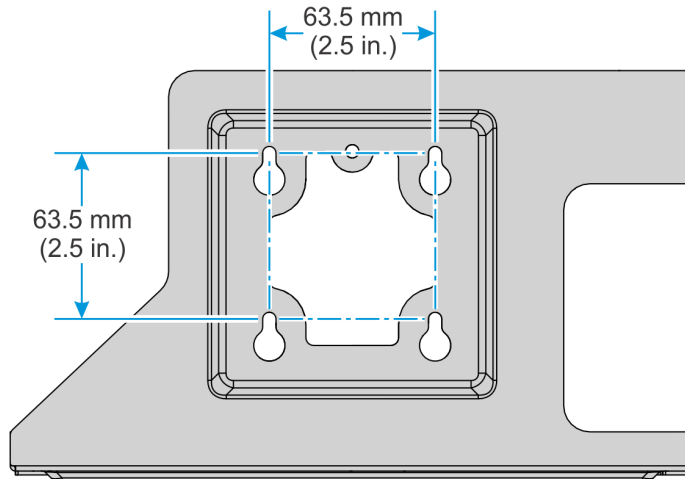


Adapter, Wall Mount, CX8
497-0527086

CCP-81520

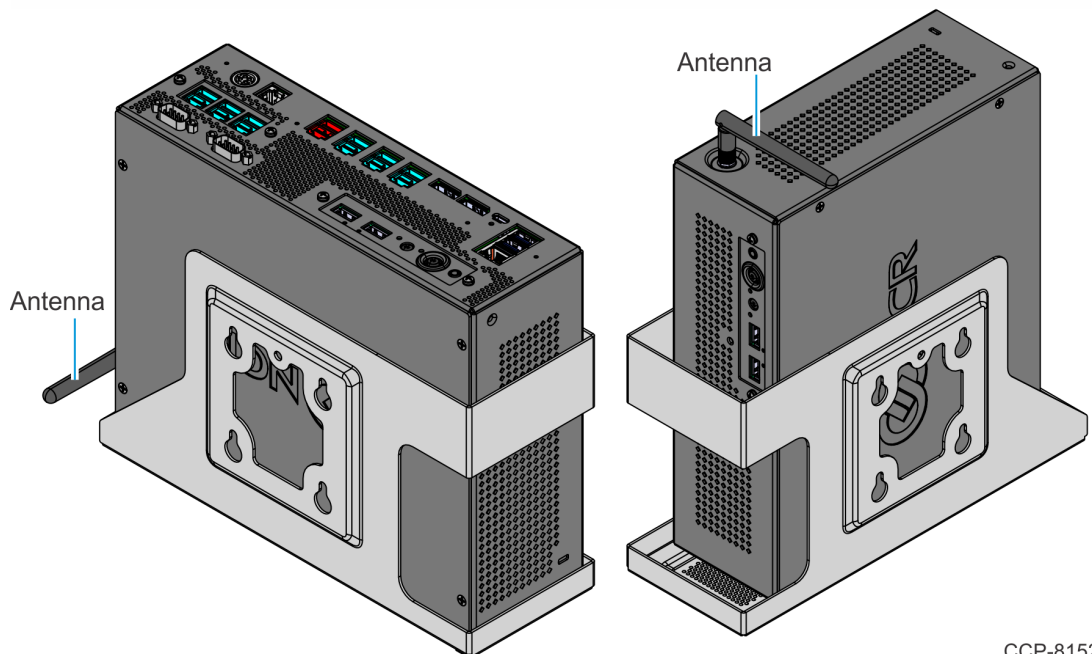
Installation Procedure

1. Use the dimensions shown below or use the Mounting Bracket as a template to mark the location of the holes. Secure the Mounting Bracket to the vertical surface using appropriate hardware for drywall or concrete/brick wall.



CCP-81521

2. Insert the CX8 into the Mounting Bracket. The CX8 can be inserted in two (2) ways:
 - Antenna on the side — For Front Facing I/O only
 - Antenna on the top — For Front Facing I/O or Rear Facing I/O



CCP-81522

3. Connect the cables to the CX8.