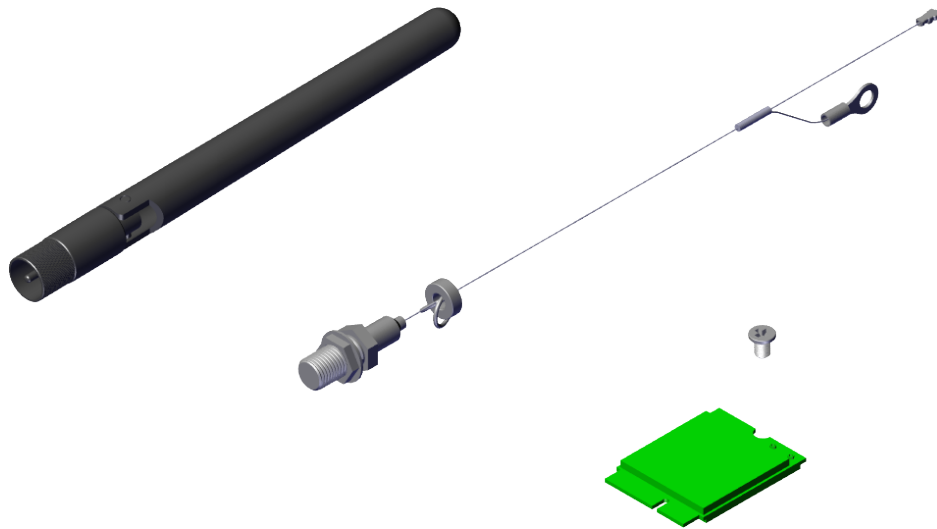


Kit Instructions

M.2 Wireless Card and Antenna



7736-K165
Issue A



The product described in this document is a licensed product of NCR Corporation.

NCR is a registered trademark of NCR Corporation. Product names mentioned in this publication may be trademarks or registered trademarks of their respective companies and are hereby acknowledged.

Where creation of derivative works, modifications or copies of this NCR copyrighted documentation is permitted under the terms and conditions of an agreement you have with NCR, NCR's copyright notice must be included.

It is the policy of NCR Corporation (NCR) to improve products as new technology, components, software, and firmware become available. NCR, therefore, reserves the right to change specifications without prior notice.

All features, functions, and operations described herein may not be marketed by NCR in all parts of the world. In some instances, photographs are of equipment prototypes. Therefore, before using this document, consult with your NCR representative or NCR office for information that is applicable and current.

To maintain the quality of our publications, we need your comments on the accuracy, clarity, organization, and value of this book. Please use the link below to send your comments.

Email: FD230036@ncr.com

Copyright © 2021
By NCR Corporation
Global Headquarters
864 Spring St NW
Atlanta, GA 30308
U.S.A.
All Rights Reserved

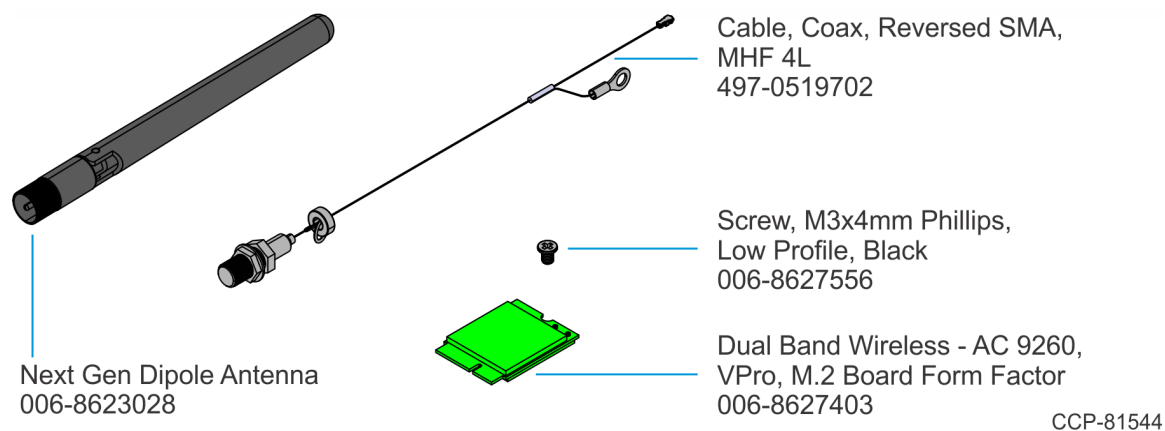
Revision Record

Issue	Date	Remarks
A	Sep 2021	First Issue

M.2 Wireless Card and Antenna

This kit provides an M.2 Wireless Card and Antenna for the NCR CX8 POS (7736).

Kit Contents

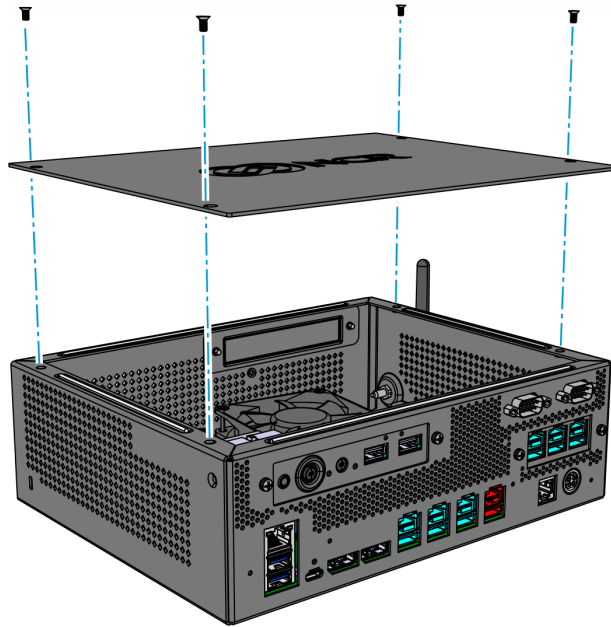


Installation Procedure

1. Remove the Top Cover.

- **Top Cover without Duct**

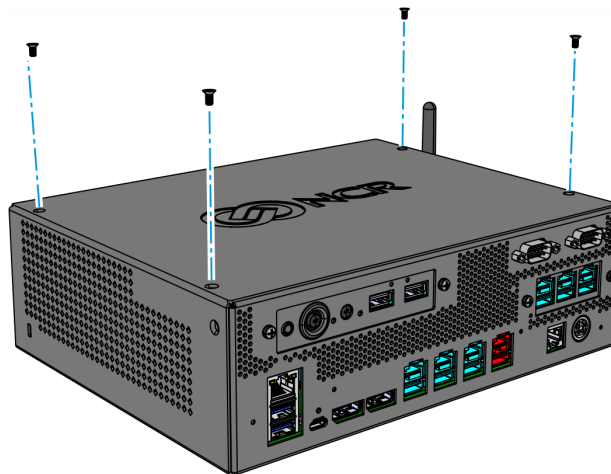
- a. Remove the four (4) screws securing the Top Cover to the chassis.



CCP-78820

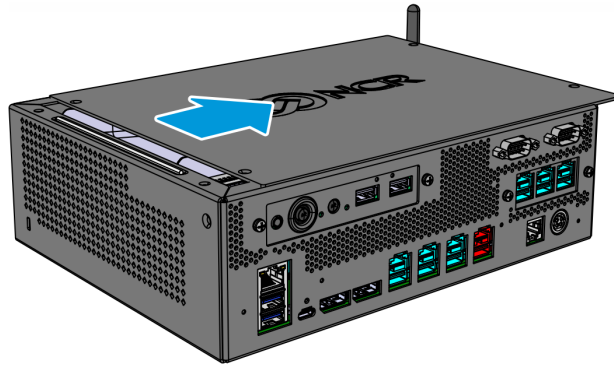
- **Top Cover with Duct**

- a. Remove the four (4) screws securing the Top Cover to the chassis.



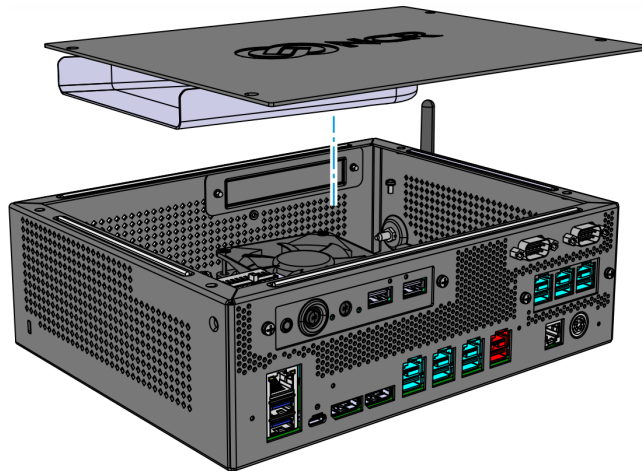
CCP-78856

- b. Slide the Top Cover in the direction shown.



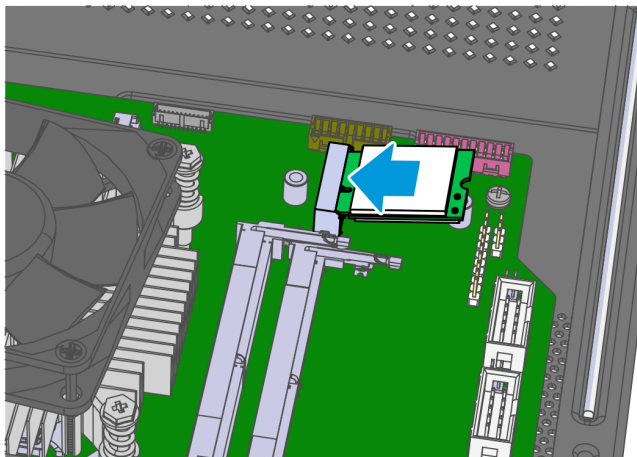
CCP-78857

- c. Lift the Top Cover away from the chassis.



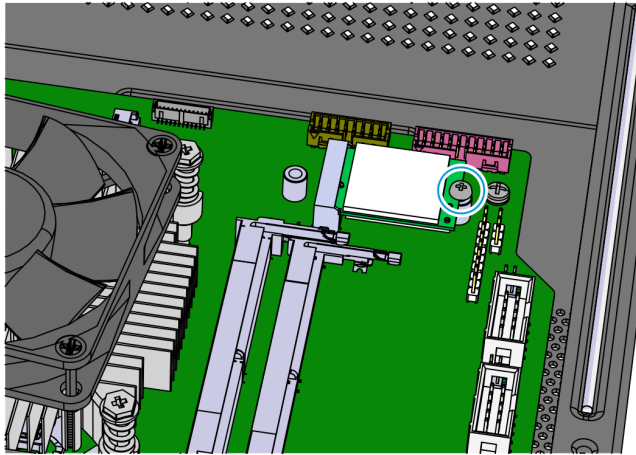
CCP-78858

- 2. Insert the Wireless Card into the connector.



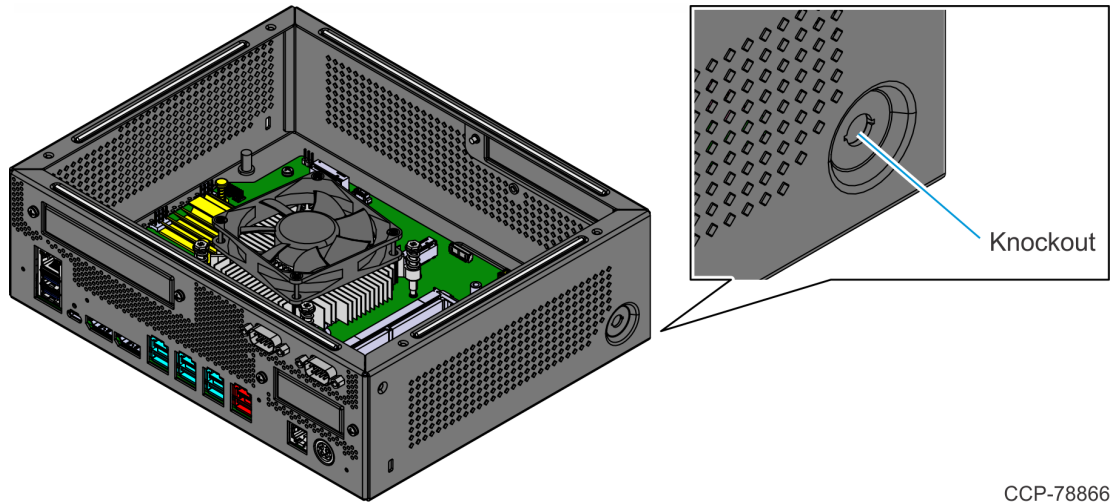
CCP-78861

3. Secure the Wireless Card with a screw.



CCP-78863

4. Remove the knockout in the corner of the chassis.

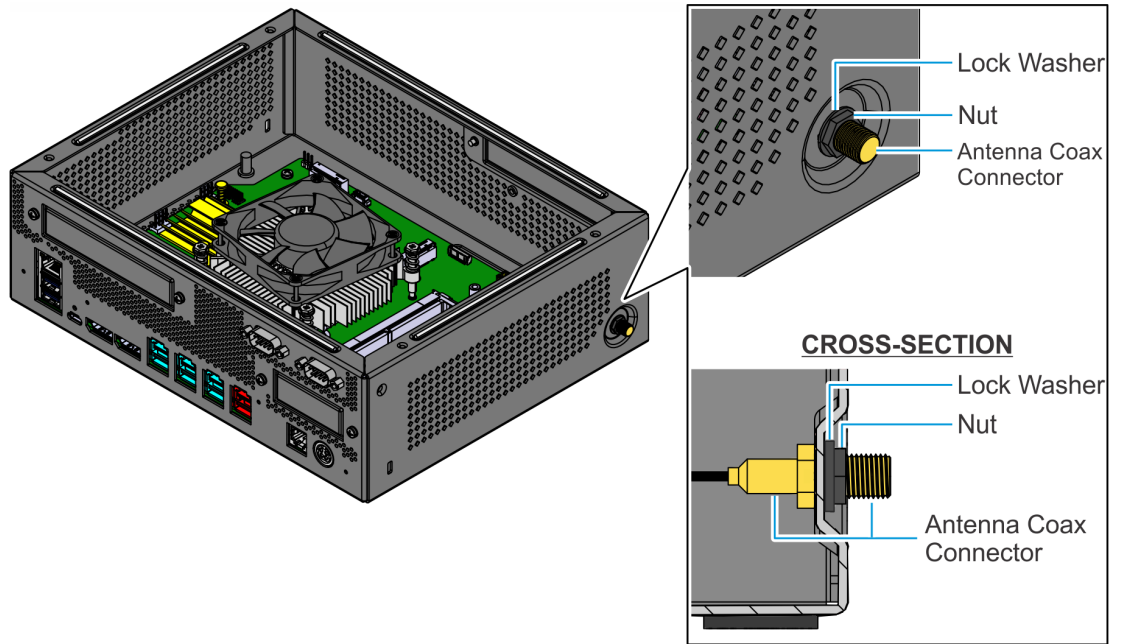


CCP-78866

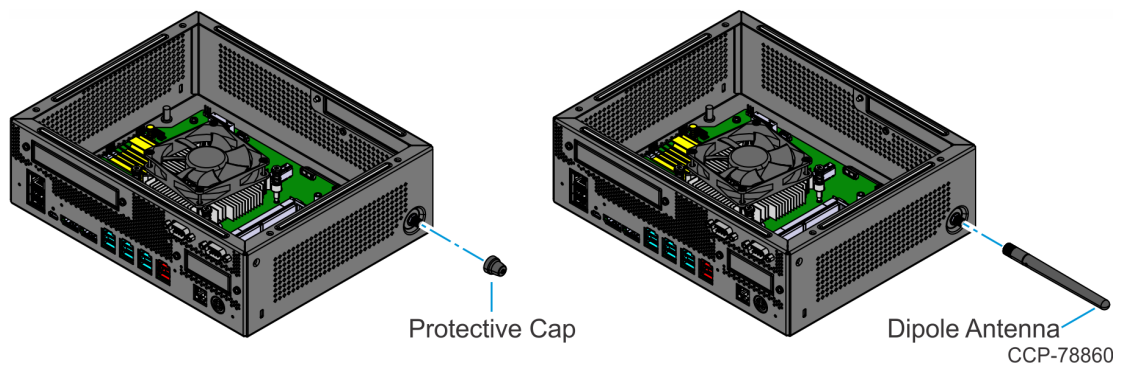
5. Install the Antenna Coax Connector.
 - a. On the inside of the chassis, insert the Antenna Coax Connector.
 - b. On the outside of the chassis, secure the Antenna Coax Connector with a lock washer and nut.



Note: Use a 5/16" wrench on the inside while tightening the nut on the outside with a wrench or deep-well socket.



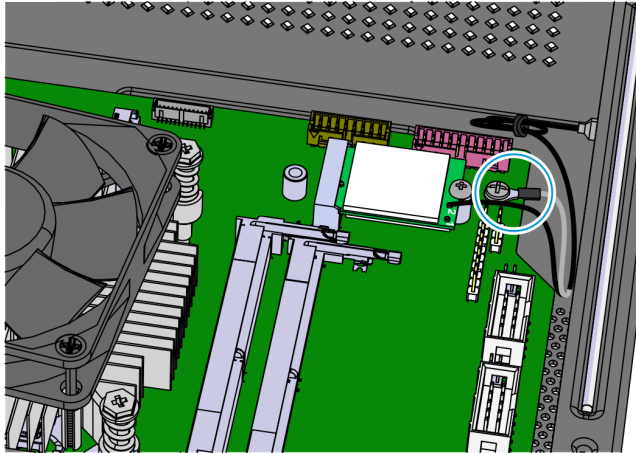
6. Screw the Protective Cap or the Dipole Antenna on the Antenna Coax Connector.



7. Secure the Ground Cable under the corner Motherboard Screw.

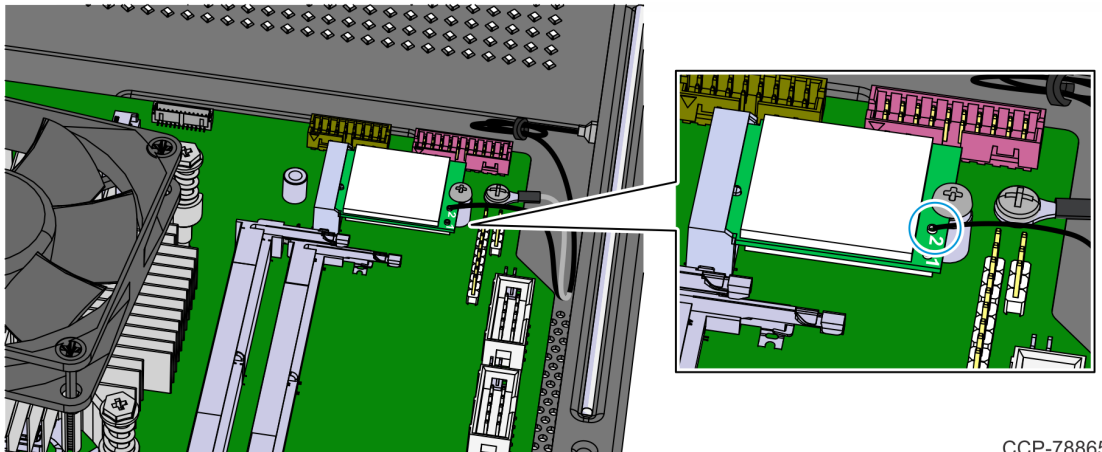


Note: Ensure the Ground Cable is off the Motherboard, away from components.



CCP-78864

8. Connect the Antenna Cable to Connector 2 of the Wireless Card and route the Cable between the motherboard screw and the jumper as shown.



CCP-78865

9. Reinstall the Top Cover.