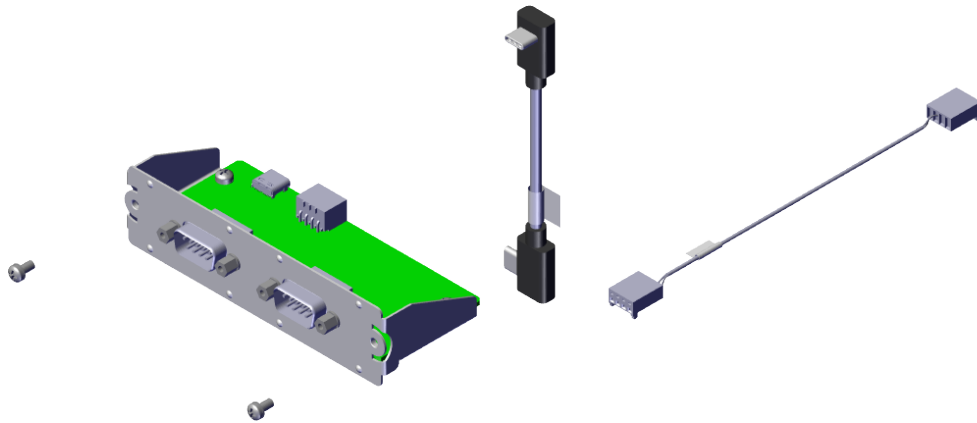


# Kit Instructions

## Dual DB9 Serial Daughtercard



7736-K022  
Issue A



---

The product described in this document is a licensed product of NCR Corporation.

NCR is a registered trademark of NCR Corporation. Product names mentioned in this publication may be trademarks or registered trademarks of their respective companies and are hereby acknowledged.

Where creation of derivative works, modifications or copies of this NCR copyrighted documentation is permitted under the terms and conditions of an agreement you have with NCR, NCR's copyright notice must be included.

It is the policy of NCR Corporation (NCR) to improve products as new technology, components, software, and firmware become available. NCR, therefore, reserves the right to change specifications without prior notice.

All features, functions, and operations described herein may not be marketed by NCR in all parts of the world. In some instances, photographs are of equipment prototypes. Therefore, before using this document, consult with your NCR representative or NCR office for information that is applicable and current.

To maintain the quality of our publications, we need your comments on the accuracy, clarity, organization, and value of this book. Please use the link below to send your comments.

Email: [FD230036@ncr.com](mailto:FD230036@ncr.com)

Copyright © 2022  
By NCR Corporation  
Global Headquarters  
864 Spring St NW  
Atlanta, GA 30308  
U.S.A.  
All Rights Reserved

## Revision Record

Issue	Date	Remarks
A	Nov 2022	First Issue

---

# Dual DB9 Serial Daughtercard

---

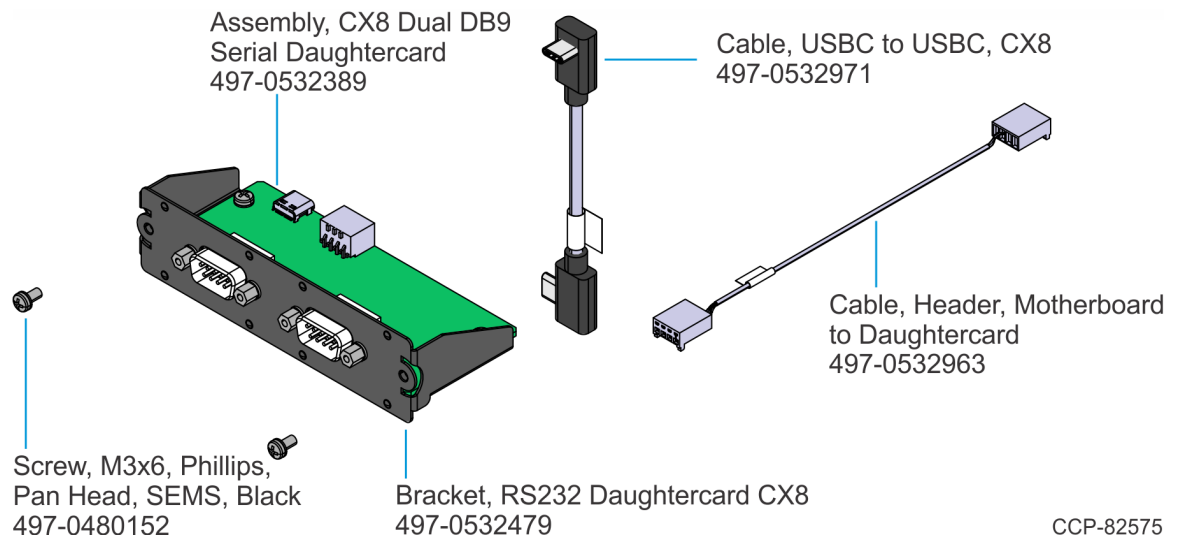
This kit provides a Dual DB9 Serial Daughtercard for the NCR CX8 POS (7736).



**Note:** BIOS M17 or later is required if using the Dual DB9 Serial Daughtercard on the following CX8 models:

- 7736-1100-xxxx
- 7736-1300-xxxx
- 7736-1500-xxxx
- 7736-4500-xxxx

## Kit Contents

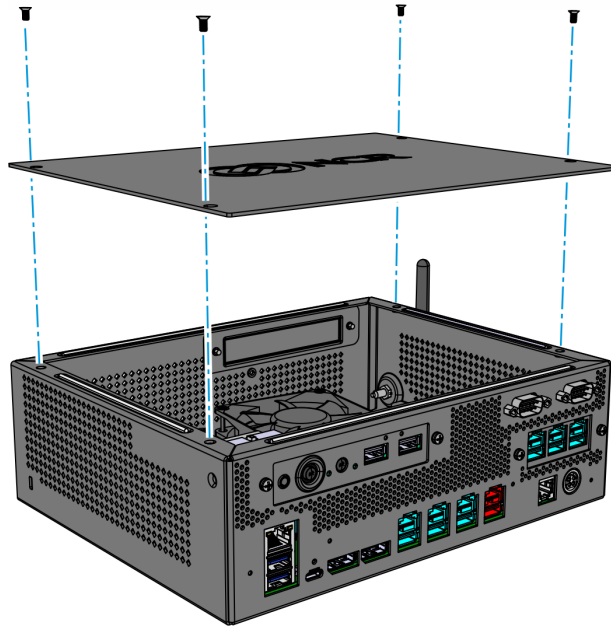


# Installation Procedure

1. Remove the Top Cover.

- **Top Cover without Duct**

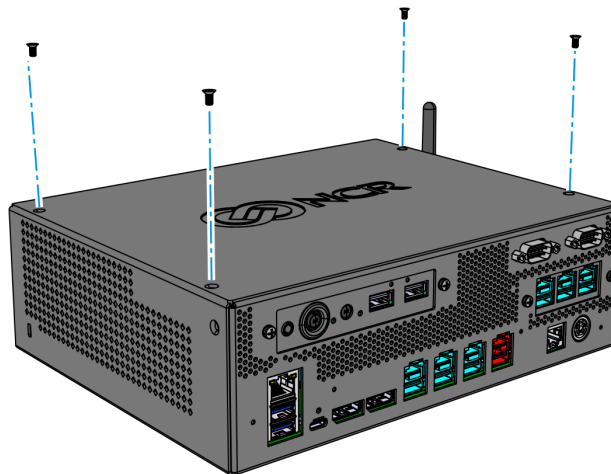
- a. Remove the four (4) screws securing the Top Cover to the chassis.



CCP-78820

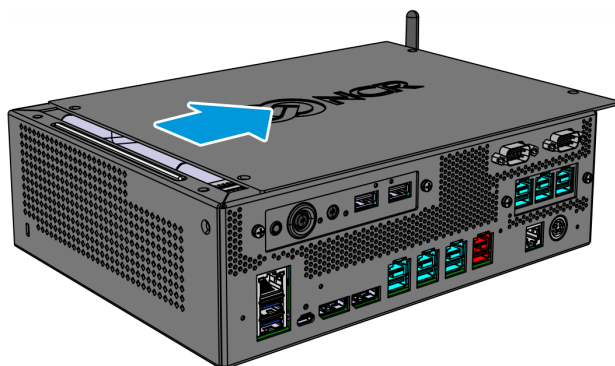
- **Top Cover with Duct**

- a. Remove the four (4) screws securing the Top Cover to the chassis.



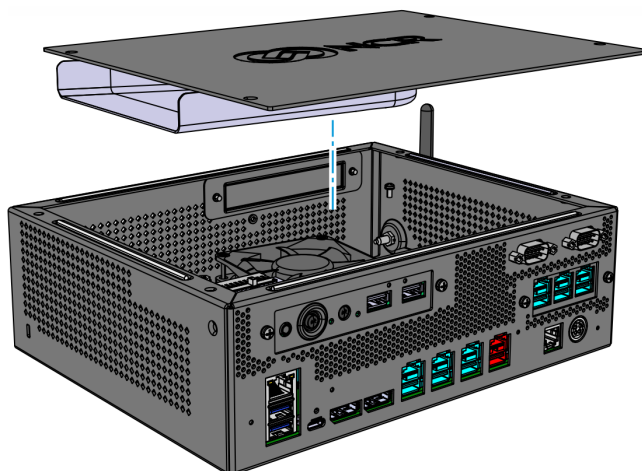
CCP-78856

- b. Slide the Top Cover in the direction shown.



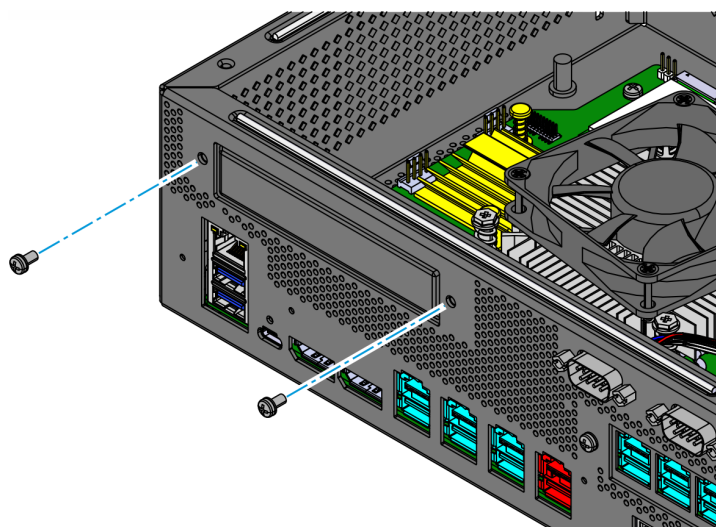
CCP-78857

- c. Lift the Top Cover away from the chassis.



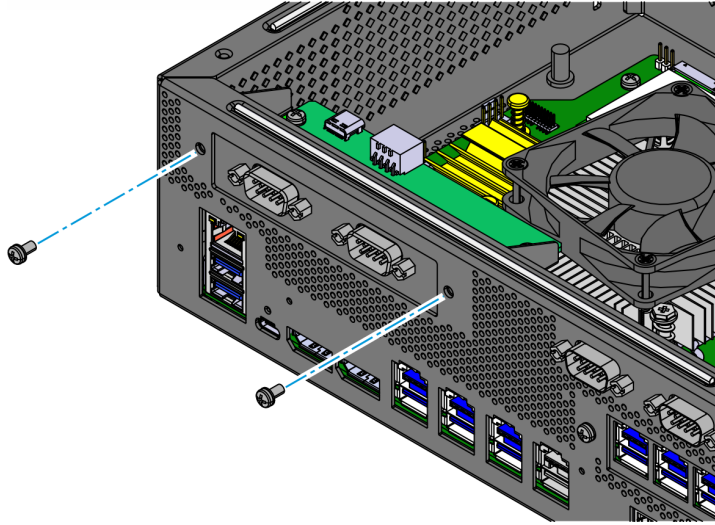
CCP-78858

- 2. Remove the Front Panel Blank from the I/O Ports side of the chassis (2 screws).



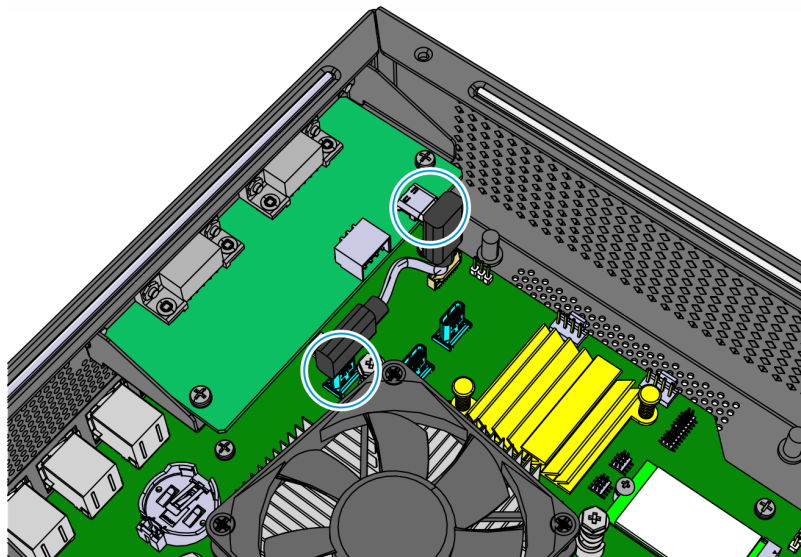
CCP-78847

3. Install the Dual DB9 Serial Daughtercard and Bracket Assembly on the inside of the chassis (2 screws).



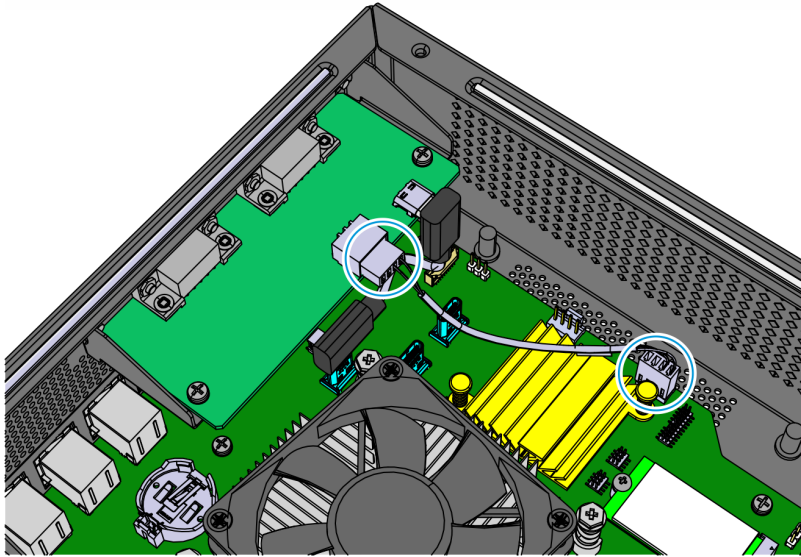
CCP-82576

4. Connect the USBC Cable to the Daughtercard and Motherboard.



CCP-82578

5. Connect the Header Cable to the Daughtercard and Motherboard.



CCP-82577

6. Reinstall the Top Cover.