

Kit Instructions

Verifone UX100, UX300, and UX400 Mount
without Trackball



7705-K055
Issue C



The product described in this book is a licensed product of NCR Corporation.

NCR is a registered trademark of NCR Corporation. SelfServ™ is a trademark of NCR Corporation in the United States and/or other countries. Other product names mentioned in this publication may be trademarks or registered trademarks of their respective companies and are hereby acknowledged.

The terms HDMI and HDMI High-Definition Multimedia Interface, and the HDMI Logo are trademarks or registered trademarks of HDMI Licensing LLC in the United States and other countries.

Where creation of derivative works, modifications or copies of this NCR copyrighted documentation is permitted under the terms and conditions of an agreement you have with NCR, NCR's copyright notice must be included.

It is the policy of NCR Corporation (NCR) to improve products as new technology, components, software, and firmware become available. NCR, therefore, reserves the right to change specifications without prior notice.

All features, functions, and operations described herein may not be marketed by NCR in all parts of the world. In some instances, photographs are of equipment prototypes. Therefore, before using this document, consult with your NCR representative or NCR office for information that is applicable and current.

To maintain the quality of our publications, we need your comments on the accuracy, clarity, organization, and value of this book. Please use the link below to send your comments.

Email: FD230036@ncr.com

Copyright © 2017-2018

By NCR Corporation

Duluth, GA U.S.A.

All Rights Reserved

Revision Record

Issue	Date	Remarks
A	Jul 2018	First Issue
B	Nov 2018	Added a screw for UX100 Ground Harness and a Gas Spring Rod Updated installation procedures
C	Feb 2019	Added notes on installation of screws and other devices Added images for cabling and tie downs

Verifone UX100, UX300, and UX400 Mount without Trackball

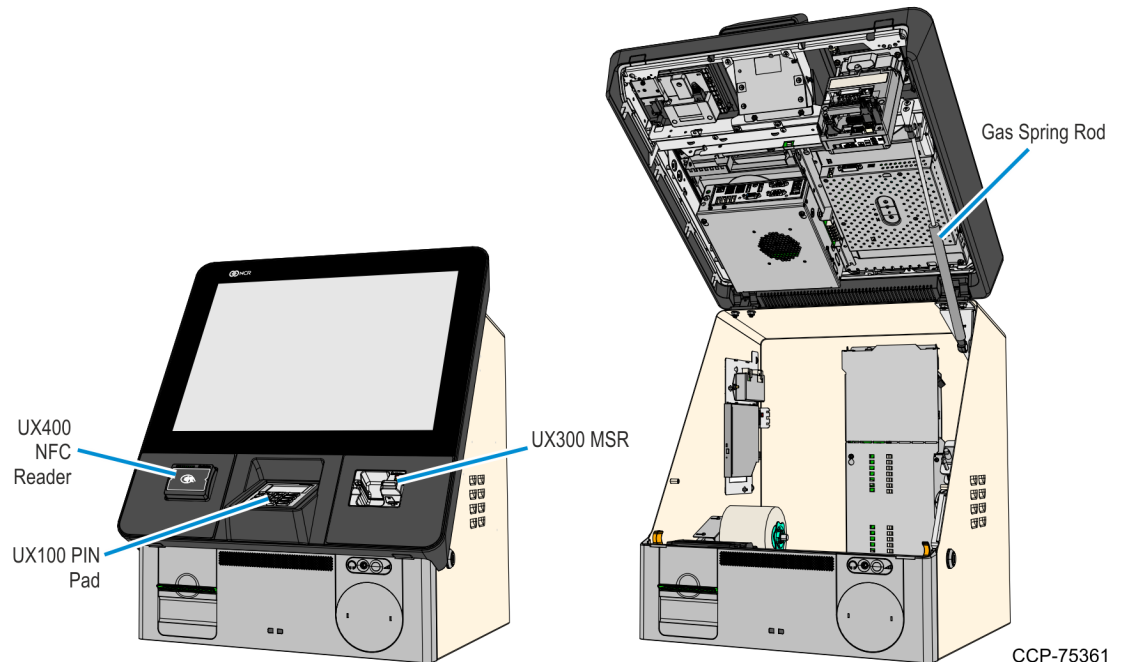
Introduction

This kit provides components to support installation of the following Verifone® devices to an NCR SelfServ™ 75 (7705) Kiosk:

- UX100 Personal Identification Number (PIN) Pad with Ground Harness
- UX300 Magnetic Stripe Reader (MSR)
- UX400 Near-Field Communication (NFC) Reader with Antenna and Comms Cables

The Verifone devices listed above are not included in this kit. They are purchased separately by the customer.

This kit also includes a replacement Gas Spring Rod that supports the Fascia Assembly when opened.



Tools Required

- #2 Phillips screwdriver with torque limiter
- #7mm nut driver with torque limiter
- Flat Head screwdriver



Note: NCR recommends to use a Long Thin Wall 7mm Nut Driver with torque limiter to facilitate the installation of Verifone devices on the kiosk.

Kit Contents



Note: Depending on the kiosk configuration, some parts shown in the following image may not be needed.

12V REGULATOR ASSEMBLY

Bracket Assy - Sankyo REG MTG
445-0745340

Assy Display Regulator OVP
445-0705385

(4) Screw M4x6 M/C COMBI POZI
009-0006592

Sankyo Dip, Blanking, 7705
795-0231101

Gas Spring, 375-N
150-mm Stroke,
400-mm Extension Length
006-8627305

FASCIA PANEL ASSEMBLY

Clamp - Cable (Open P-Loop),
3/8 ID, Nylon, Natural
(006-8616847)

Nut, M4 Keps
006-8611847

Moulding Assy - Fascia, UX400,
w/o Trackball, 7705
497-0519959

Bracket, Front Cover, UX400
497-0519895

Bracket, Front Cover, UX300
497-0522040

(11) Serrated Nut M4 Self Locking
009-0007087

Bracket, Verifone, UX100, 7705
795-0233001

Cable-DC Power,
12V Regulator Board
to UX300, 2000 mm
(UX300 DC Cable)
497-0522036

Cable-Communications
USB, 1m, Black
(UX100 USB Cable)
497-0441898

Cable Assembly - Low Power DC
distribution harness-300mm
(12V Regulator DC Cable)
009-0020734

Cable - USB Type A
to Type B - High Speed
(480 Mbps), 2m (28/24)
(UX300 USB Cable)
009-0021027

(10) Cable Tie
5.9" Length, Natural
006-8616833

(9) Screw, M4.2x8 P/Tite PH Pozi
006-1060284



(2) Screw M4x12 M/C CSK Pozi
007-7022123

(2) Screw M4x6 THF Comb Pozi
009-0006582

(14) Nut, M4 Keps
006-8611847

(2) Screw M4x6 M/C Combi Pozi
009-0006592

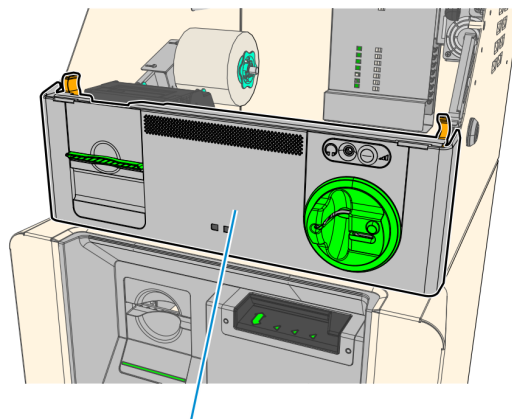
Installation Procedure

-  **Warning:** Disconnect the AC power cord before disassembling the Terminal.
-  **Caution:** Static Electricity Discharge may permanently damage your system. Discharge any static electricity build up in your body by touching your computer's case for a few seconds. Avoid any contact with internal parts and handle cards only by their external edges.

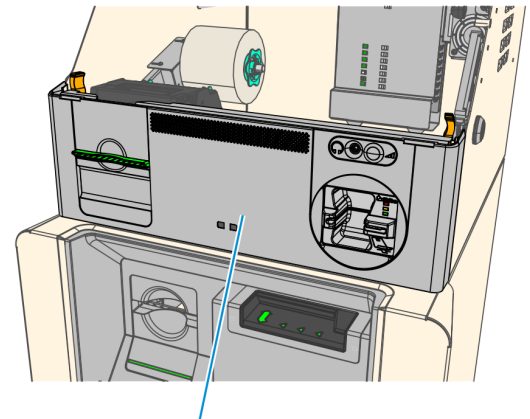
Depending on the devices that are already present in the kiosk, some components of this kit may already be installed in the kiosk and do not need to be installed again.

To install the 7705-K055 kit to a NCR Selferv™ 75 Kiosk, power down the kiosk, unplug the power cord, and then perform the following steps:

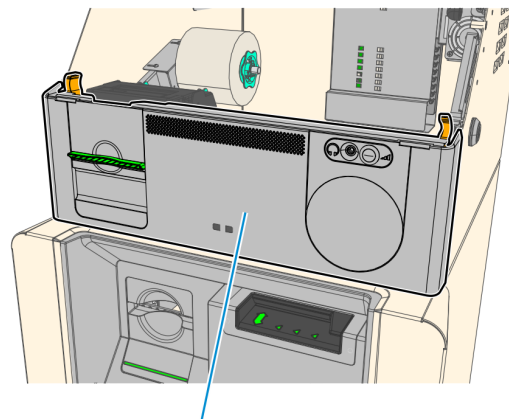
1. Turn off the kiosk. For more information, see [Turning OFF the Kiosk](#) on page 6.
2. If the kiosk Front Panel contains an MSR, remove the MSR and install the Blank Plate included in this kit. For more information, see [Removing MSRs from the Front Panel](#) on page 8.



Front Panel with Sankyo MSR

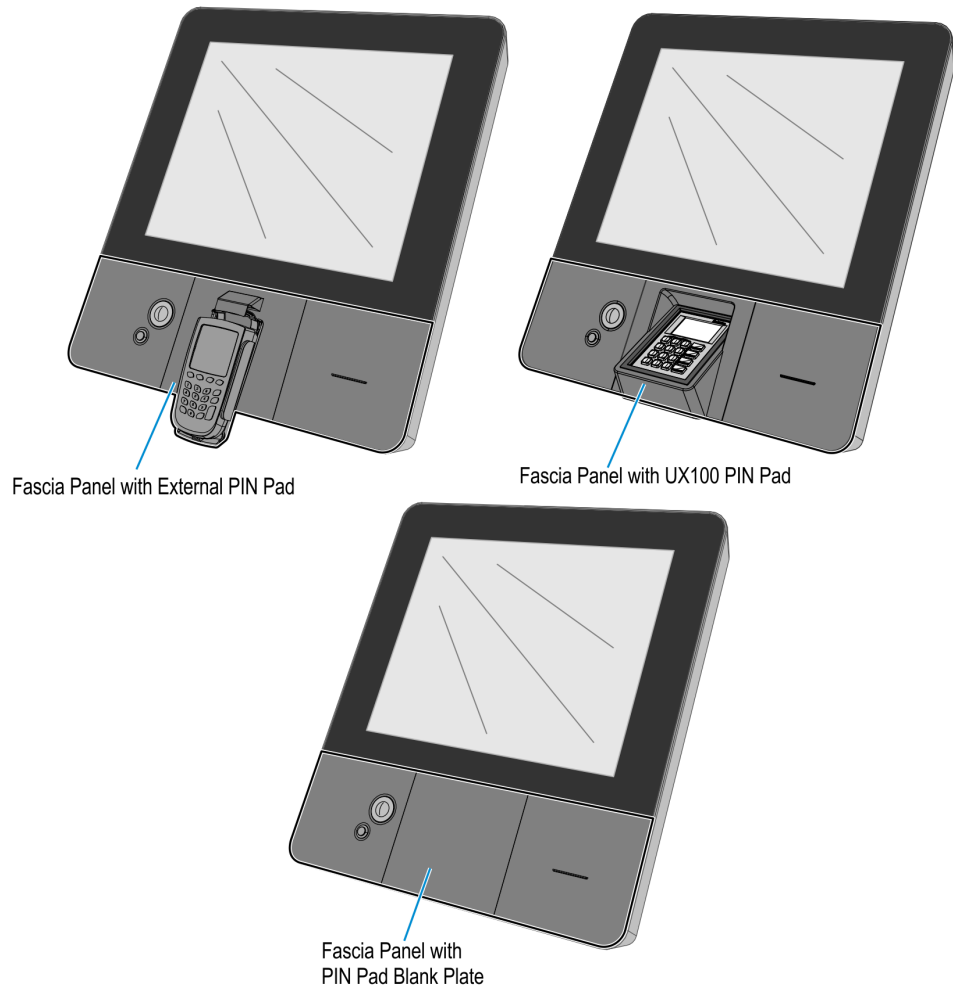


Front Panel with UX300 MSR



Front Panel with MSR Blank Plate

3. Remove the current Fascia Panel. The Fascia Panel can contain different PIN pads or a blank plate. For more information, see [Removing the Fascia Panel](#) on page 34.



CCP-74688

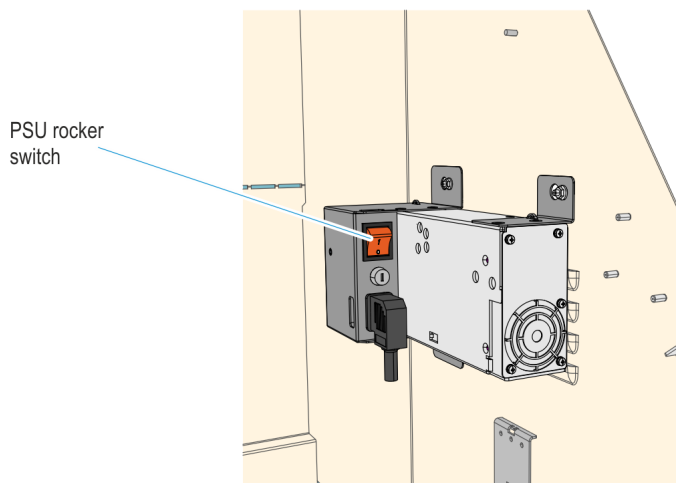
4. Replace the existing Gas Spring Rod. For more information, see [Replacing the Gas Spring Rod](#) on page 44.
5. Install the new Fascia Panel included in this kit. For more information, see [Installing the New Fascia Panel Assembly](#) on page 47.
6. Install the Verifone UX100 PIN Pad. For more information, see [Installing the UX100 PIN Pad](#) on page 51.
7. In the Top Box, remove the I/O Panel Cover. For more information, see [Removing the I/O Panel Cover](#) on page 55.
8. Connect and route the device cables. For more information, see [Connecting and Routing Device Cables](#) on page 56.
9. Secure the cables. For more information, see [Securing the USB, Power, and Antenna Cables](#) on page 65.

10. Install the I/O Panel Cover. For more information, see [Installing the I/O Panel Cover](#) on page 68.
11. Validate installation of Verifone UX devices. For more information, [Validating Installation of Verifone UX Devices](#) on page 69.

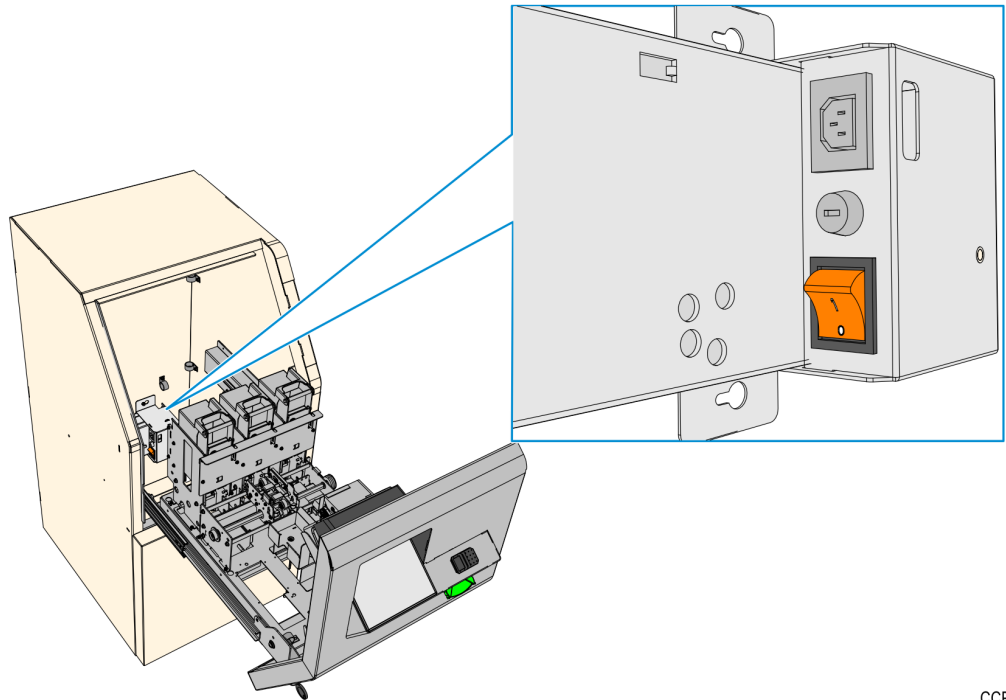
Turning OFF the Kiosk

The kiosk should be switched OFF using the power switch located in the top-box, power switch in the Sidecar if present, and the UPS power switch if present. However if necessary, the External AC Power Cable can be used to disconnect power.

1. Exit and close Kiosk Software Application.
2. Shut down the Kiosk Operating System. At the bottom left-hand corner, select **Start**→**Shut down**.
3. Push the Top Box PSU switch to to the "0" position.

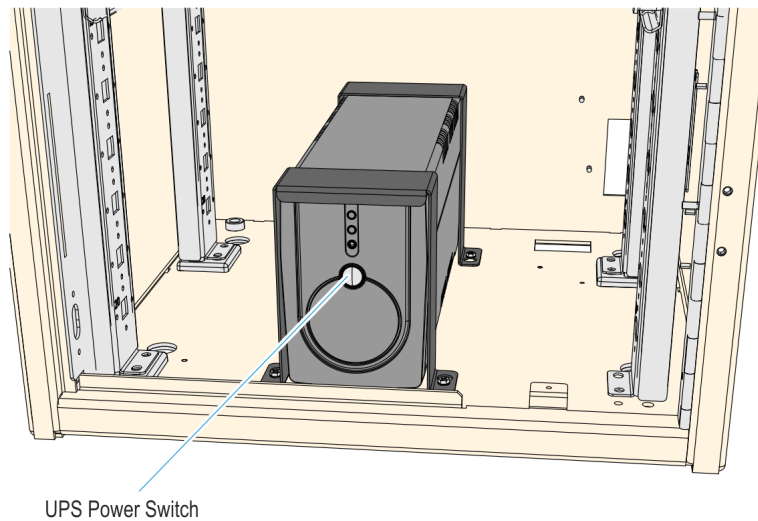


4. If a Sidecar is present, push the Sidecar PSU switch to to the "0" position.



CCP-71634

5. If a UPS is present, push the power switch to shut it down.



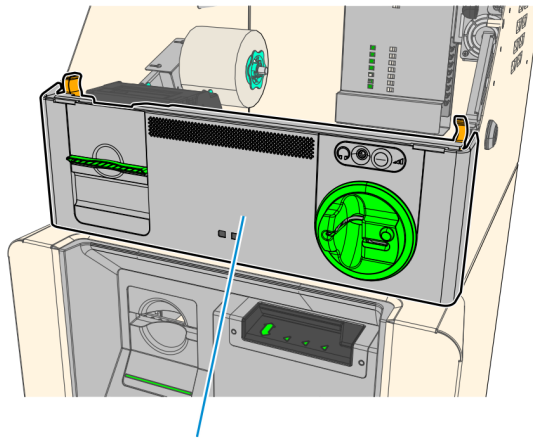
CCP-64009

6. Unplug the AC Power Cable from the AC power source.

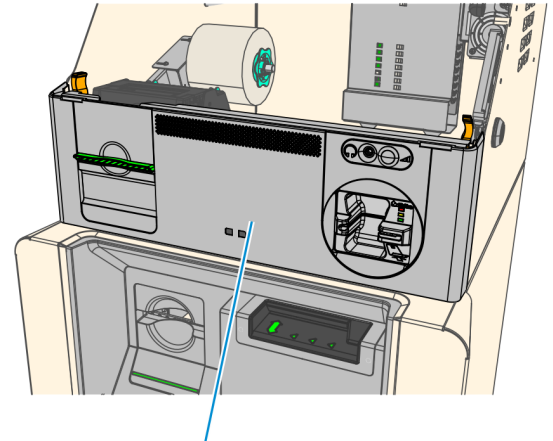
Removing MSR from the Front Panel

The Front Panel can either have a Sankyo MSR or a Verifone UX300 MSR. Refer to sections below as appropriate for the present device in the kiosk:

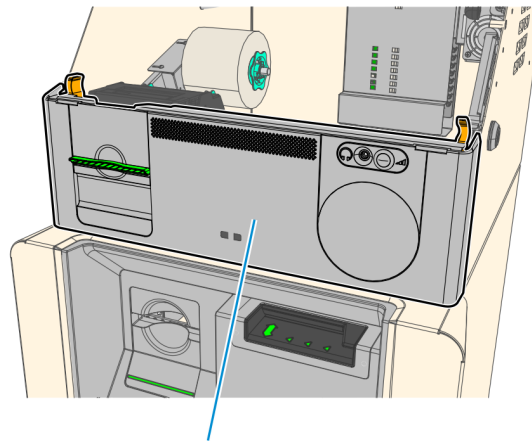
- [Removing the Sankyo MSR from the Front Panel](#) on the facing page
- [Removing the UX300 MSR from the Front Panel](#) on page 21



Front Panel with Sankyo MSR



Front Panel with UX300 MSR



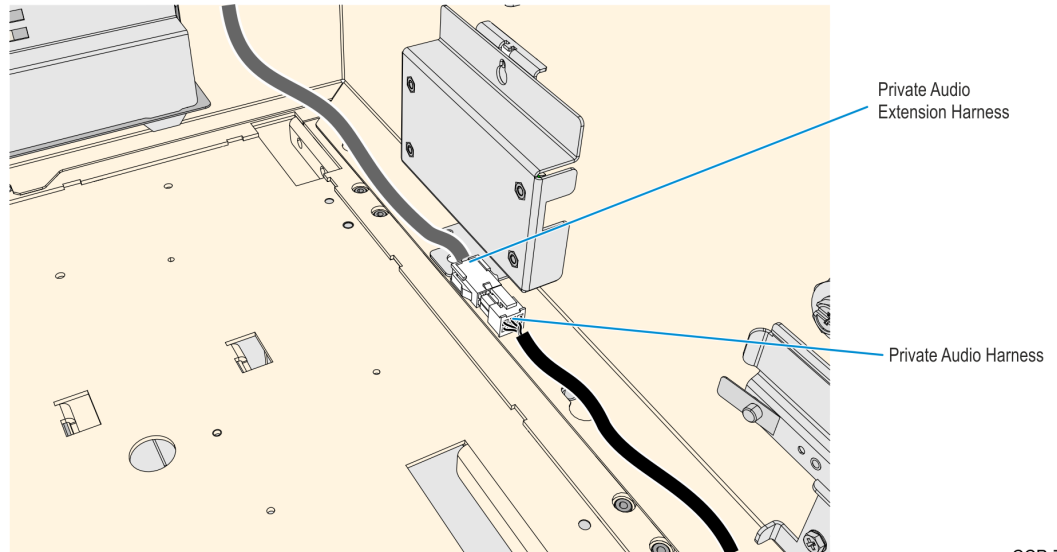
Front Panel with MSR Blank Plate

Removing the Sankyo MSR from the Front Panel

1. Inside the top box, disconnect the Private Audio Cable from the Private Audio Extension Cable.

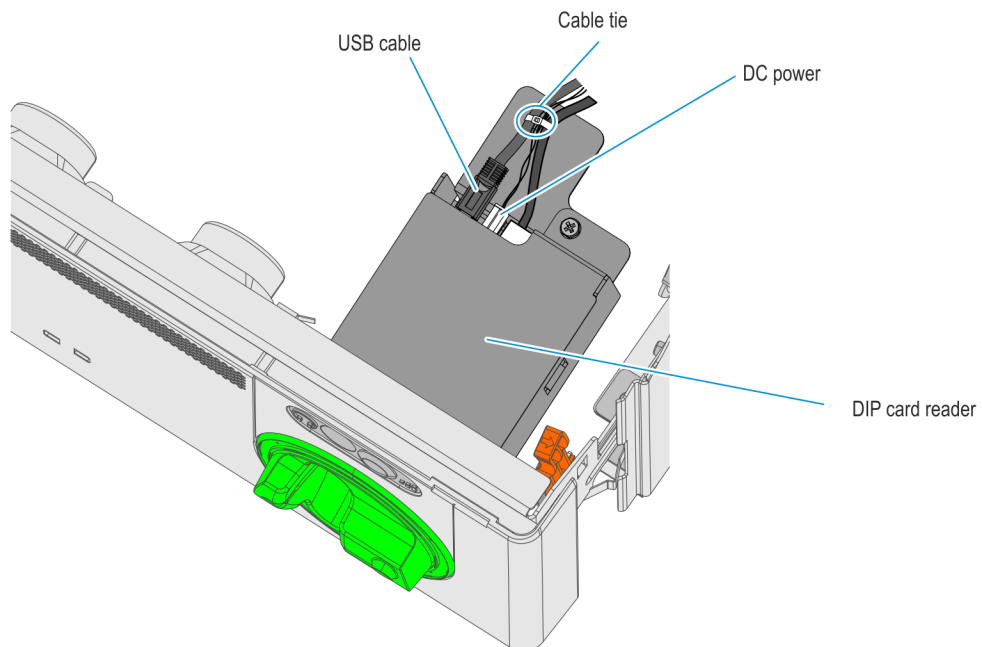


Note: This step is only applicable if the unit is configured with the Private Audio feature.



CCP-70869

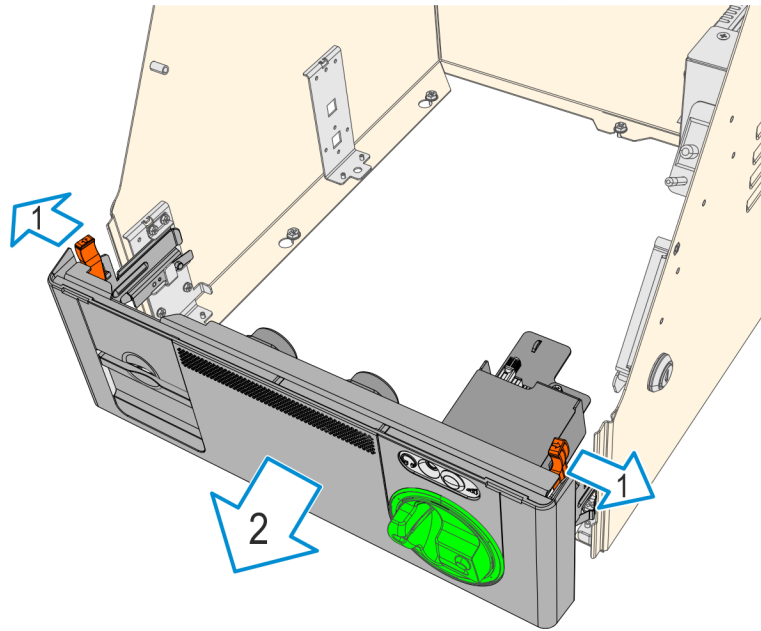
2. Disconnect the USB and DC cables from the Sankyo MSR. Remove the cable ties securing them as necessary.



CCP-65075

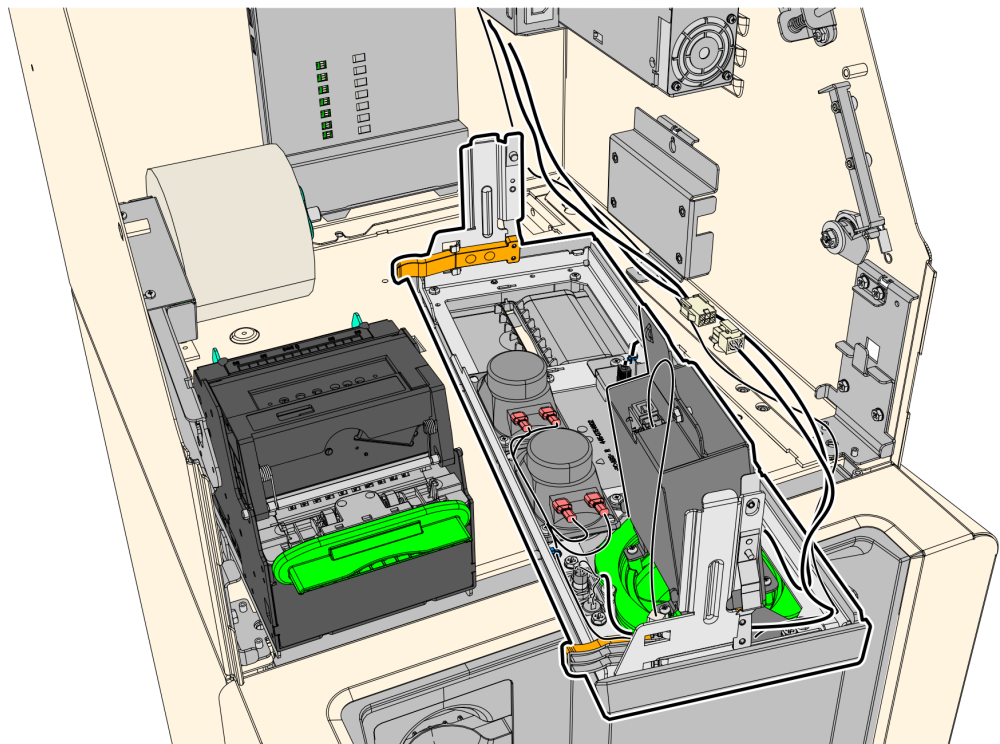
3. Remove the cable ties securing the Fascia Cable Bundle, and then remove the Sankyo USB and DC cables from the bundle.

- Slide out the Front Panel from the Kiosk. Push the two orange latches outwards and pull the Front Panel towards you until it is out from the Kiosk.



CCP-65074

- Carefully place the Front Panel assembly face down on the Top Box. Note that the Speaker Harness and Proximity Detector USB Cable are still secured to the Front Panel.

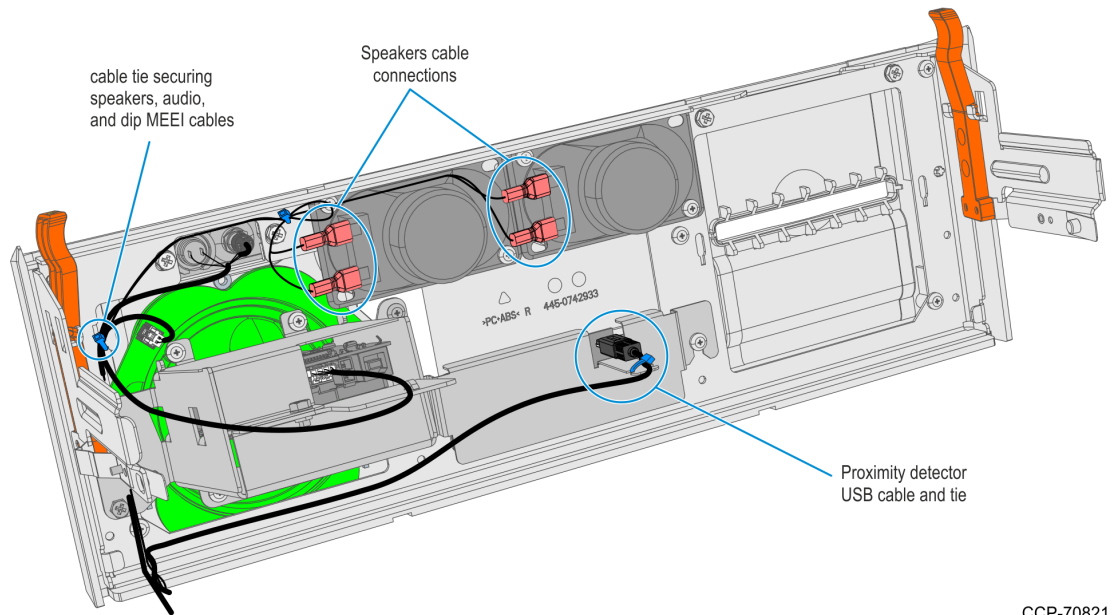


CCP-70866

6. Take note of the routing and disconnect the Speaker Harness and Proximity Detector USB Cable, cut off the cable ties securing them to the panel.

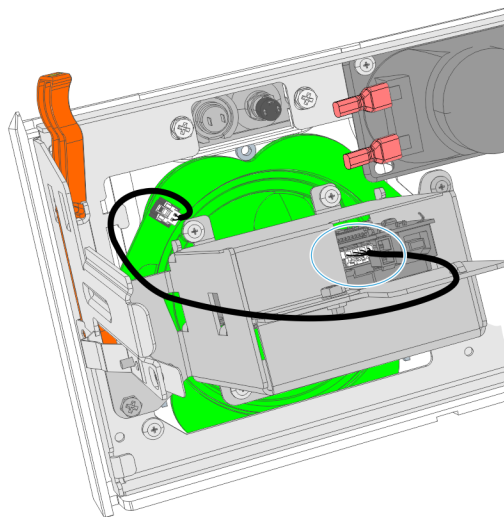


Note: Keep the cables safe and secured in the Top Box while working on the Front Panel.



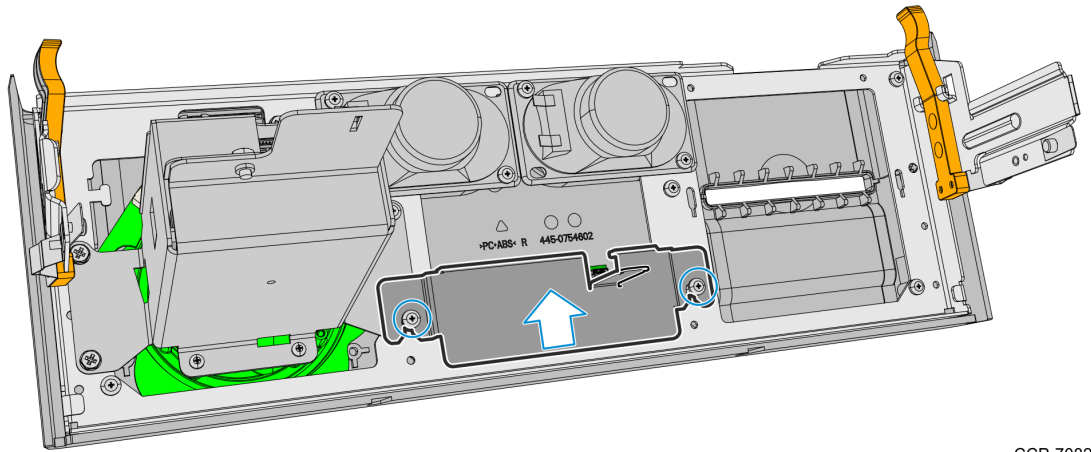
CCP-70821

7. Disconnect the MEEI Cable from the Dip MSR and MEI Ring..



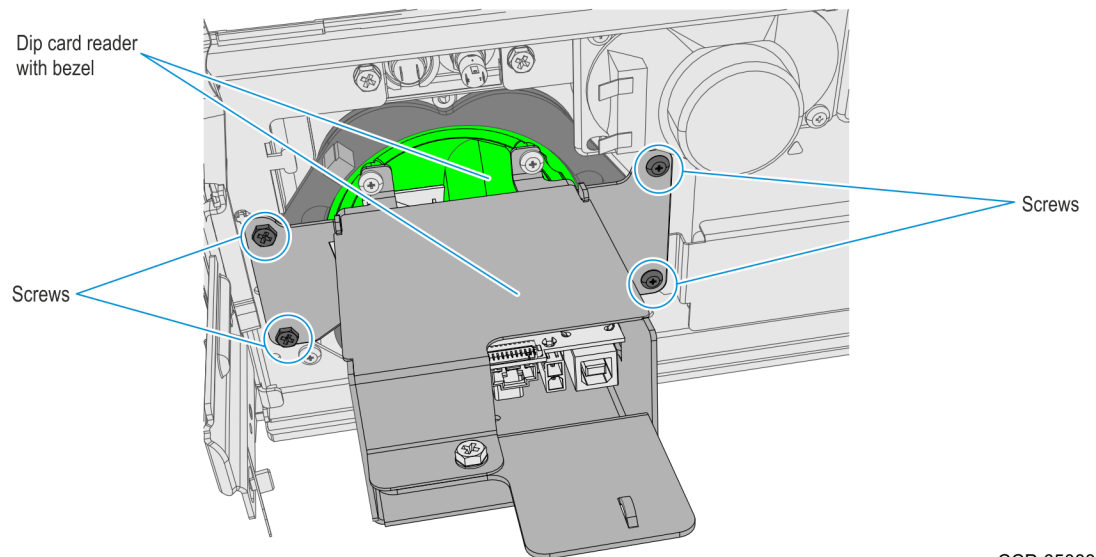
CCP-65087

8. Remove the two screws securing the Proximity Detector Cover then remove the cover from the Front Panel.



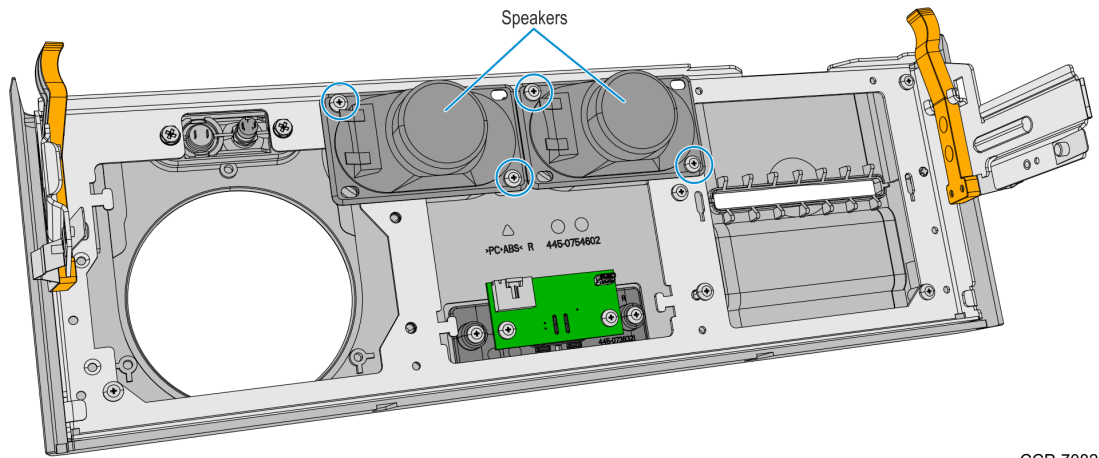
CCP-70822

9. Remove the four screws securing the card reader and bezel assembly to the Front Panel, then slide the assembly backwards to remove it from the panel.



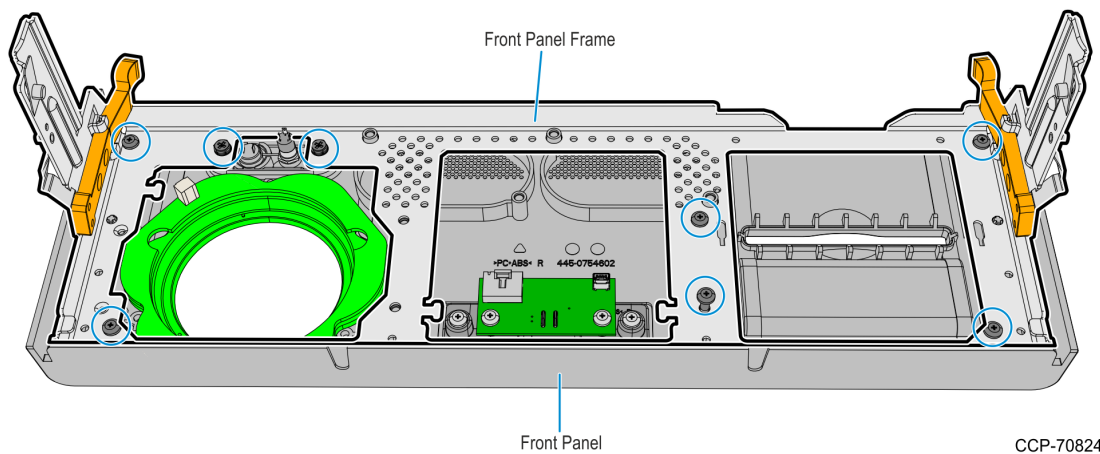
CCP-65083

10. Remove the screws (two on each speaker) securing the Speakers to the Front Panel then remove the Speakers.



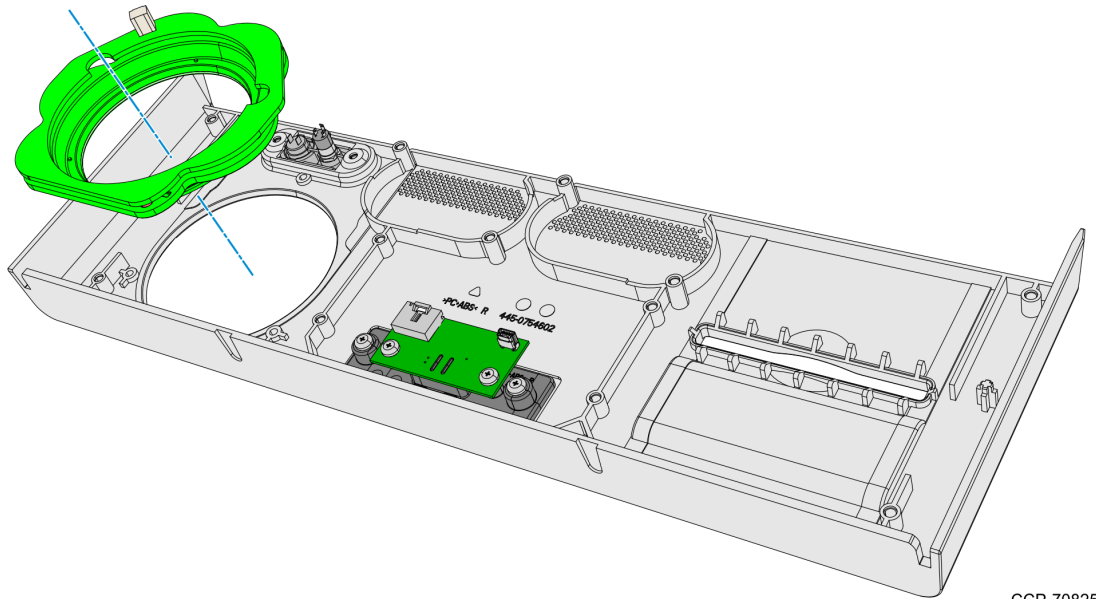
CCP-70823

11. Remove the eight screws securing the Panel Frame to the Front Panel then remove the Panel Frame.



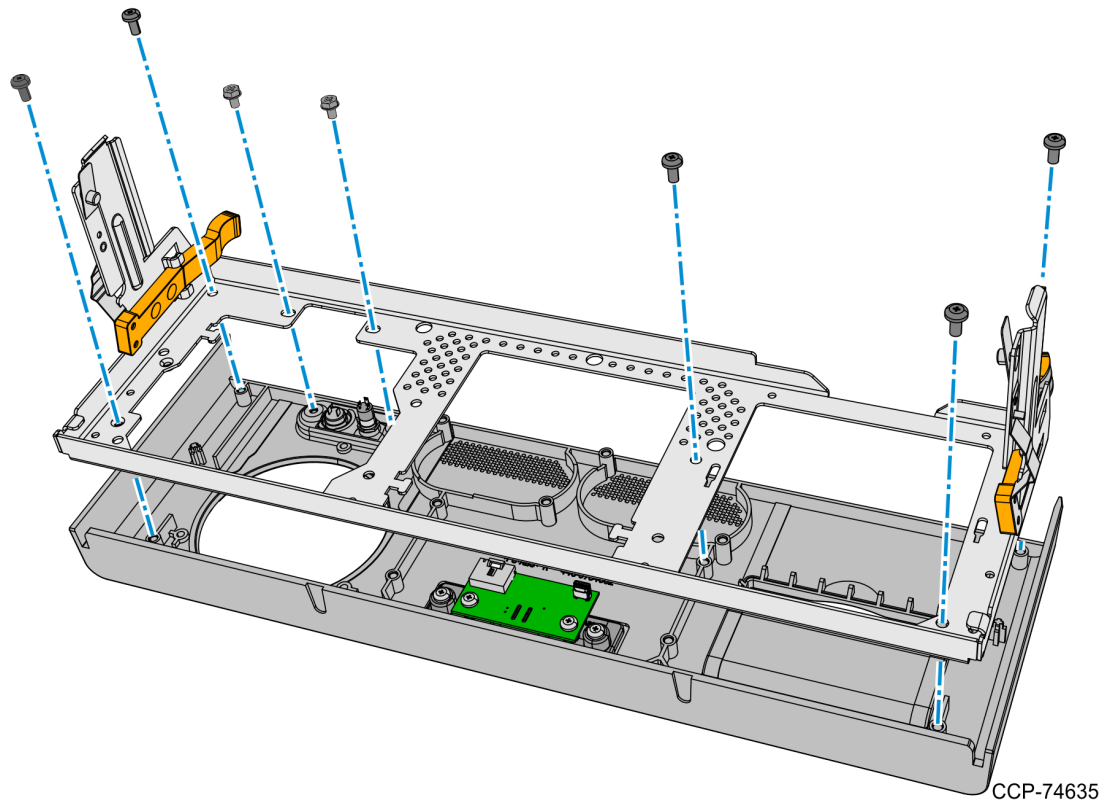
CCP-70824

12. Remove the MSR MEI Ring from the Front Panel.



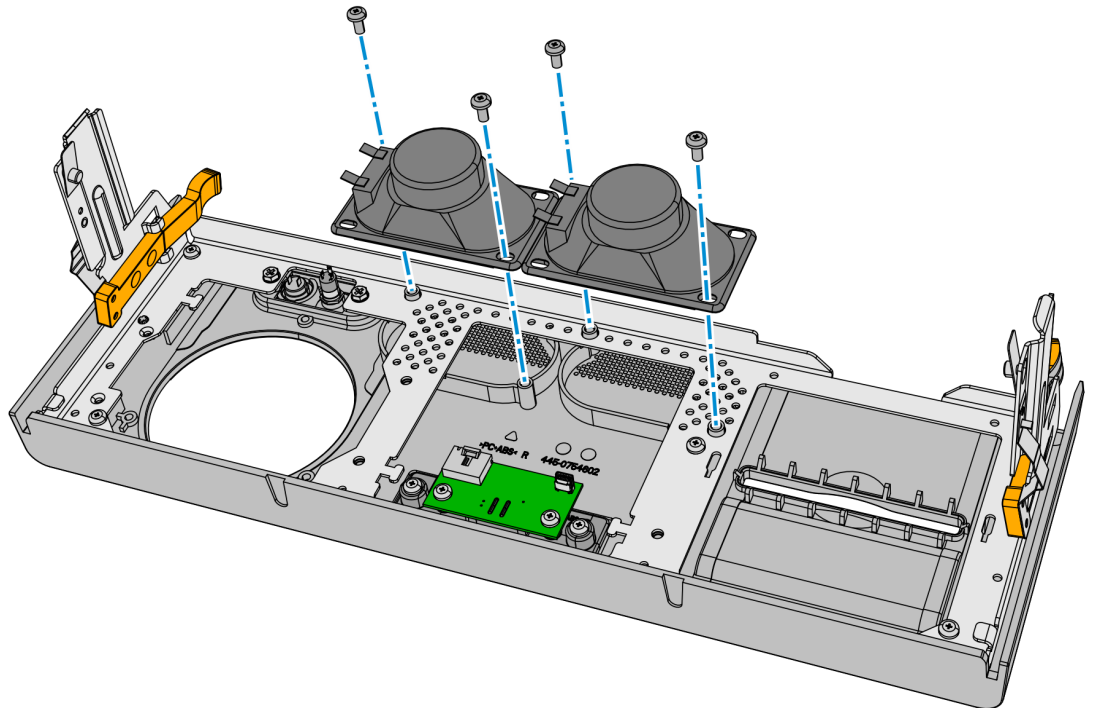
CCP-70825

13. Mount and secure the Panel Frame to the Front Panel using seven screws.



CCP-74635

14. Mount and secure the Speakers to the Front Panel using two screws on each speaker.

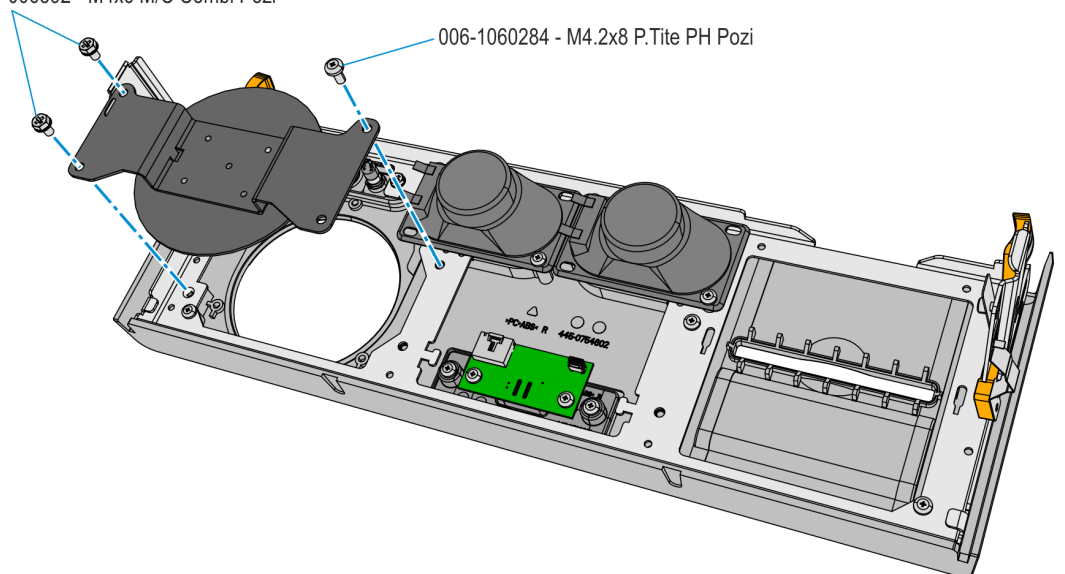


CCP-74636

15. Mount and secure the Blank Plate to the Fascia Panel using three screws. Use the screws included in this kit and take note of the types of screws used.

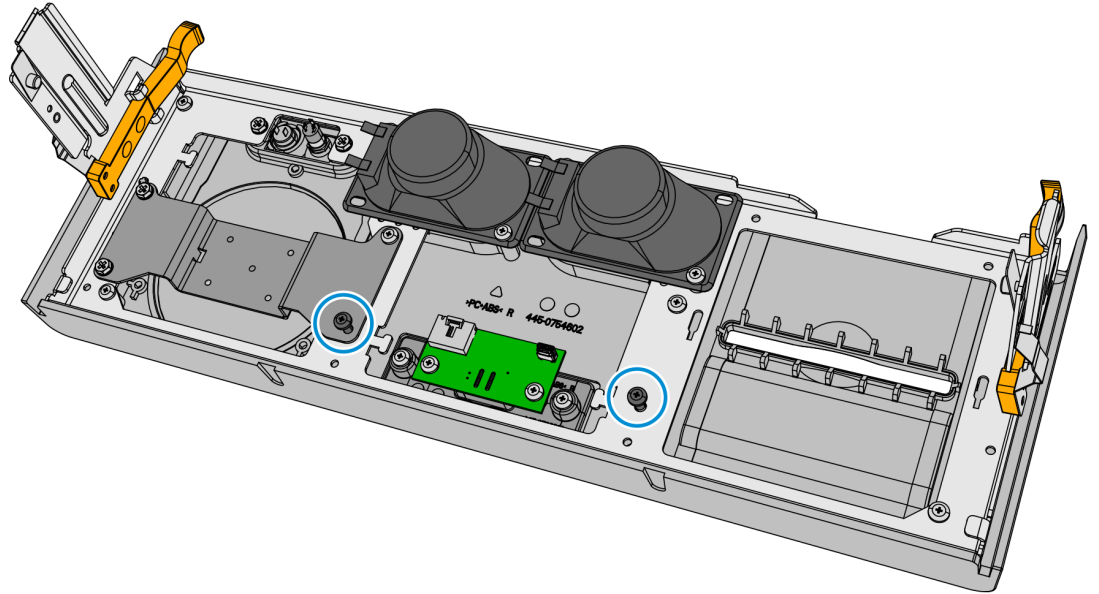
009-006592 - M4x6 M/C Combi Pozi

006-1060284 - M4.2x8 P.Tite PH Pozi



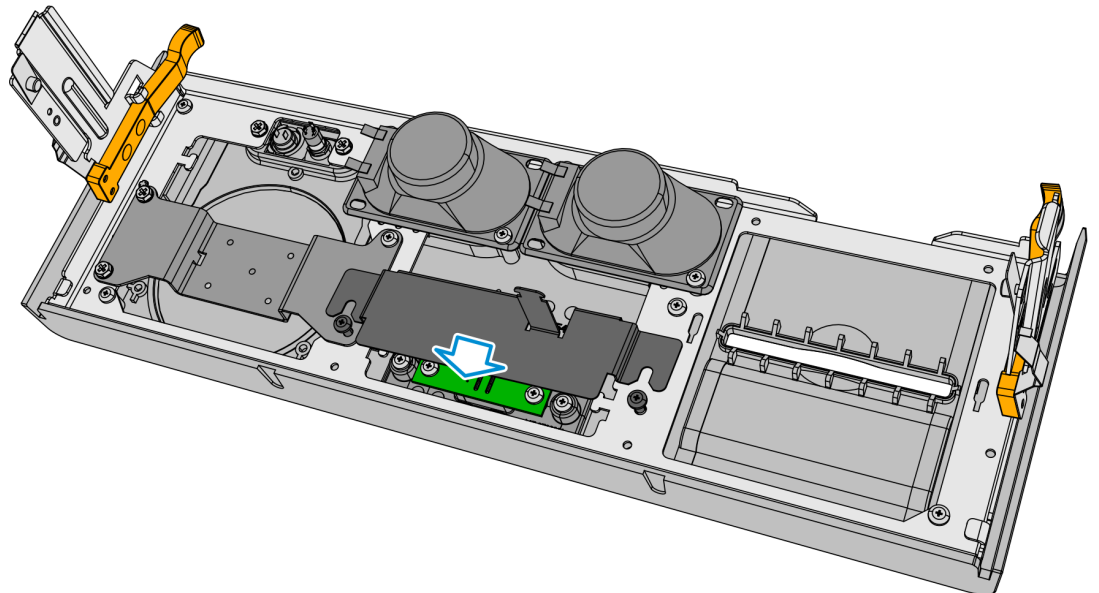
CCP-74637

16. Mount and partially tighten two screws for the Proximity Detector Cover.



CCP-74638

17. Insert and slide the Proximity Detector Cover under the partially tightened screws, then fully tighten the two screws to secure the cover.



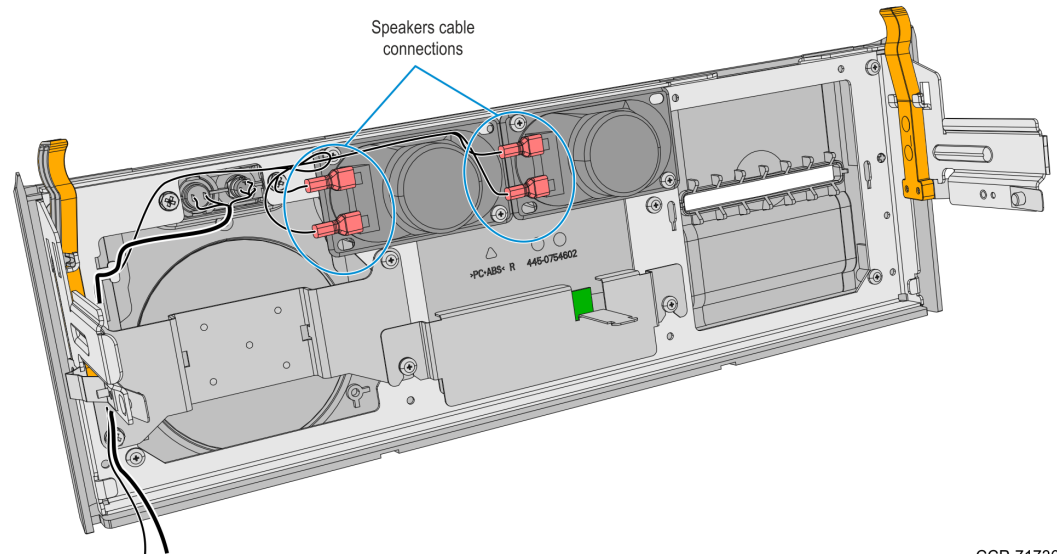
CCP-74639

18. Connect the Speaker Cables to the Speakers.



Note: Make sure that the correct cable wire is connected to the appropriate speaker connection terminal.

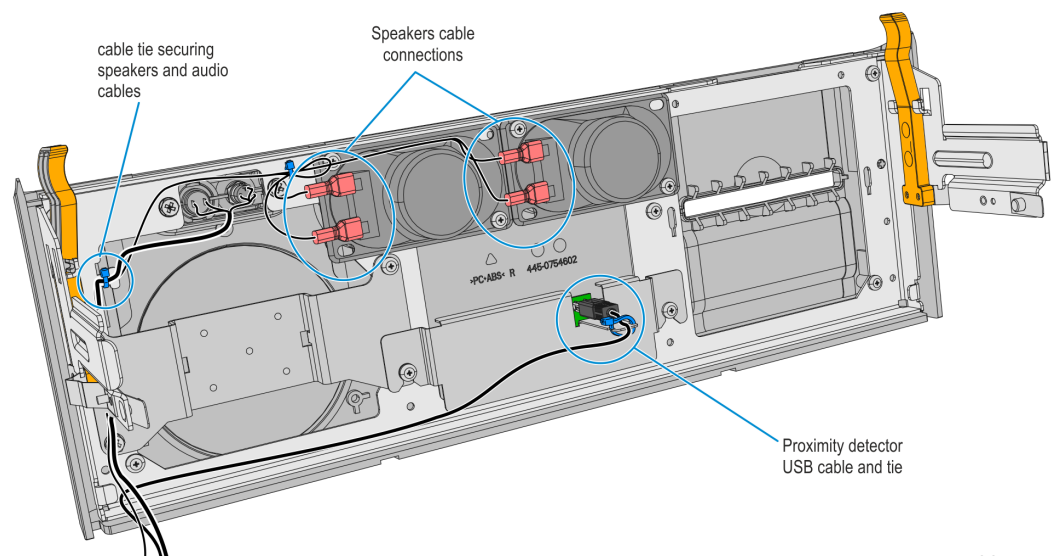
- Connect "-" cable wire to "-" speaker terminal
- Connect "+" cable wire to "+" speaker terminal



CCP-71736

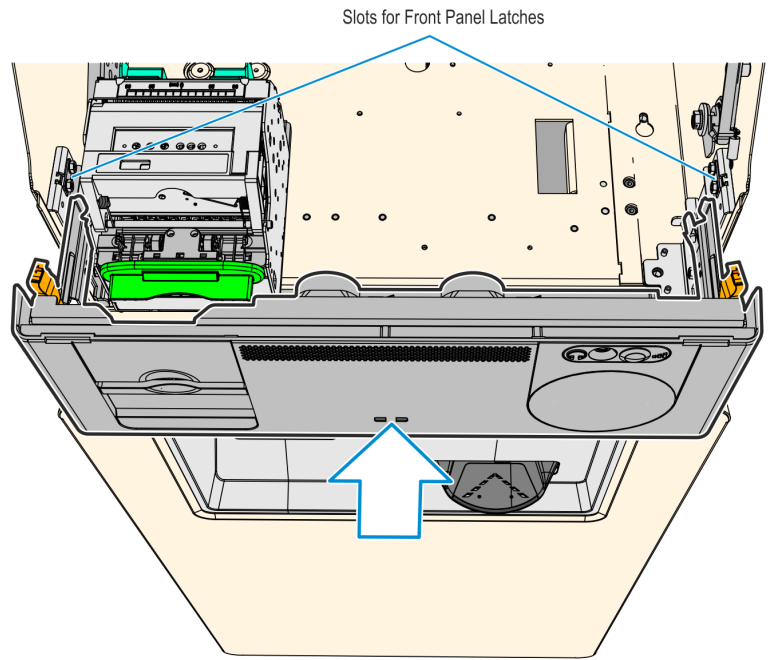
19. Route the Speaker Cables to the left-hand side of the Front Panel and secure them with the Private Audio Cable with a cable tie.

20. Connect the Proximity Detector USB Cable to the Proximity Detector Board and secure the Cable to the Cover with a cable tie.



CCP-70818

21. Route the Proximity Detector USB Cable towards the left-hand side of the Front Panel.
22. Align the Front Panel latches to the slots in the Top Box, then push the Front Panel into the Top Box.

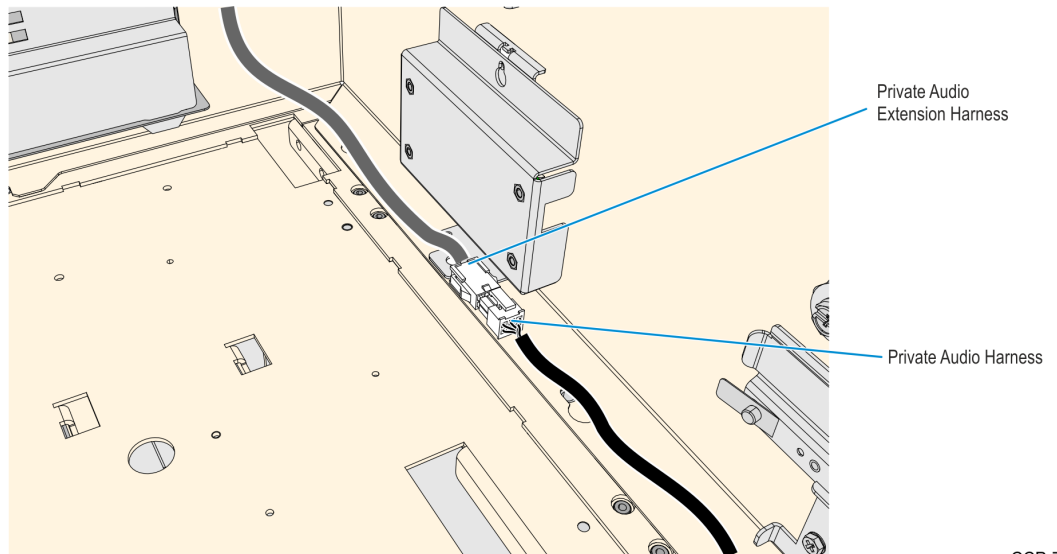


CCP-71737

23. Inside the Top Box, reconnect the Private Audio Cable to the Private Audio Extension.



Note: This step is only applicable if the unit is configured with the Private Audio feature.



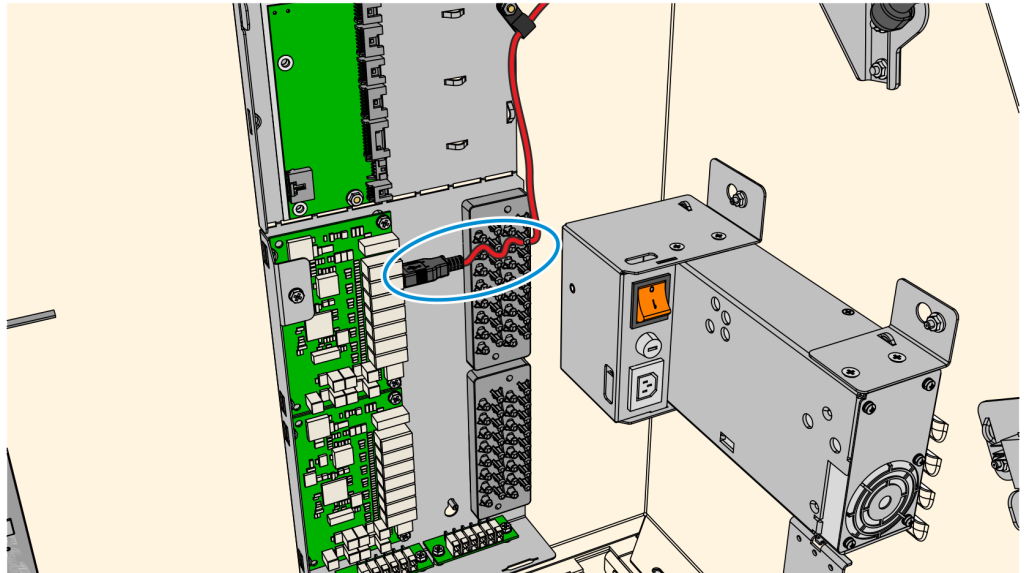
CCP-70869

24. Remove and discard the Sankyo DIP Reader USB and DC cables.



Note: The Sankyo cables will be replaced with the following cables included in this kit:

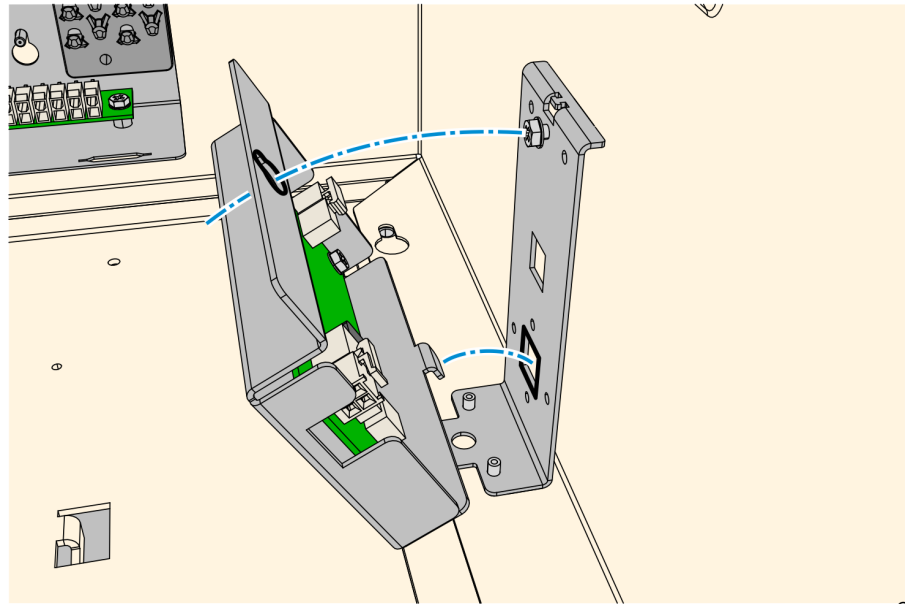
- Sankyo USB cable — will be replaced with the 2m UX300 USB cable (009-0021027)
 - Sankyo DC cable — will be replaced with the 2m UX300 DC cable (497-0522036)
- a. Disconnect the Sankyo USB cable from the USB Hub or from the PC-core USB, and then discard the cable.



CCP-74661

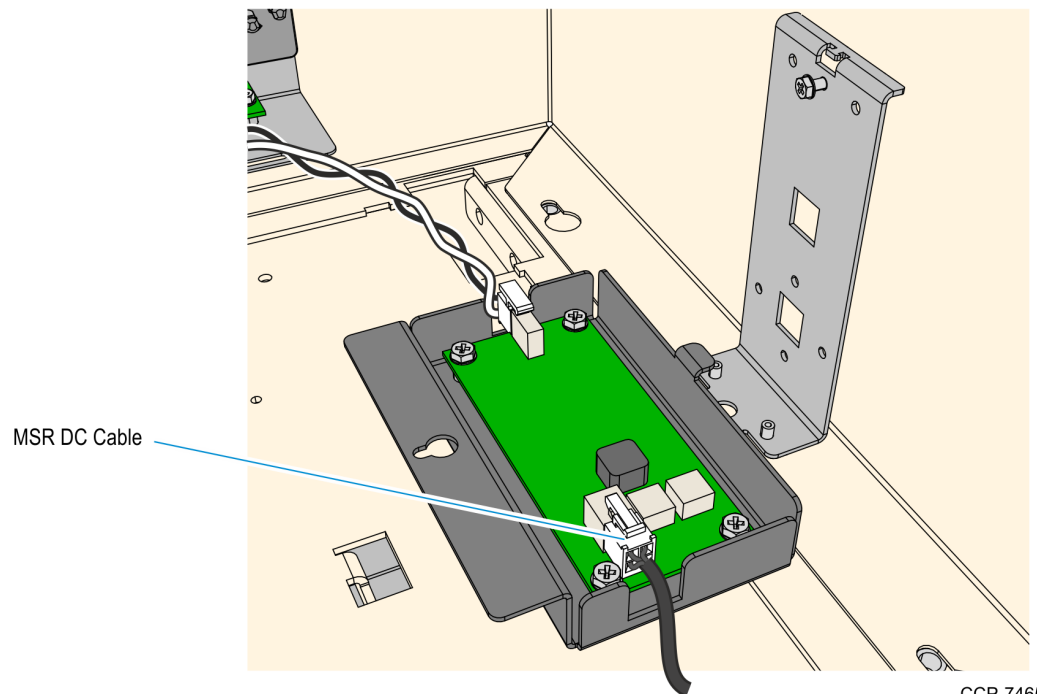
- b. Loosen the screw securing the 12V Regulator to the kiosk.

- c. Slide the 12V Regulator assembly upward and rotate backward to remove the assembly.



CCP-74657

- d. Disconnect the Sankyo MSR DC Cable from the regulator, and then discard the cable. [Removing the Fascia Panel](#) on page 34



CCP-74657



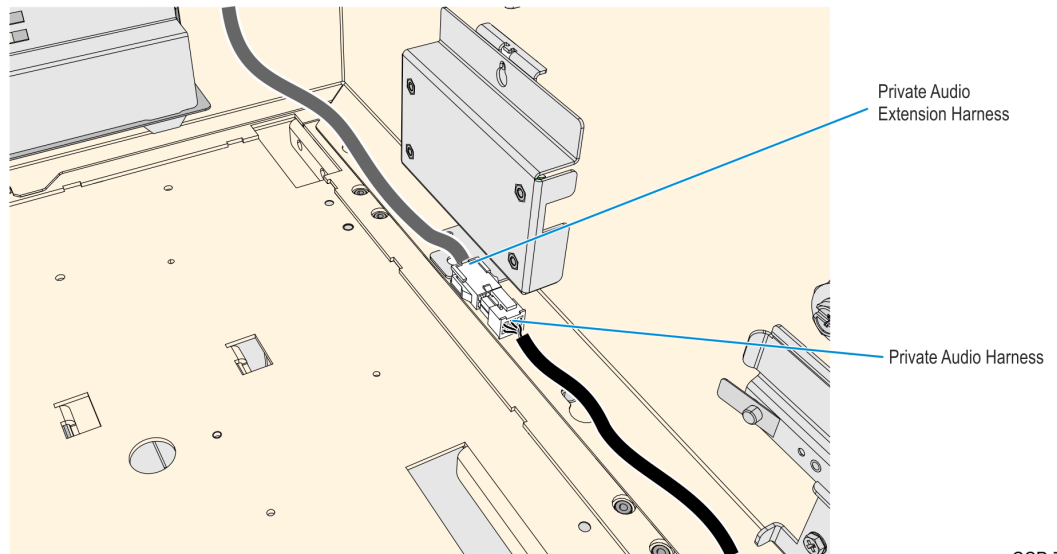
Note: For the next procedure, refer to [Installation Procedure](#) on page 4.

Removing the UX300 MSR from the Front Panel

1. Inside the top box, disconnect the Private Audio Cable from the Private Audio Extension Cable.

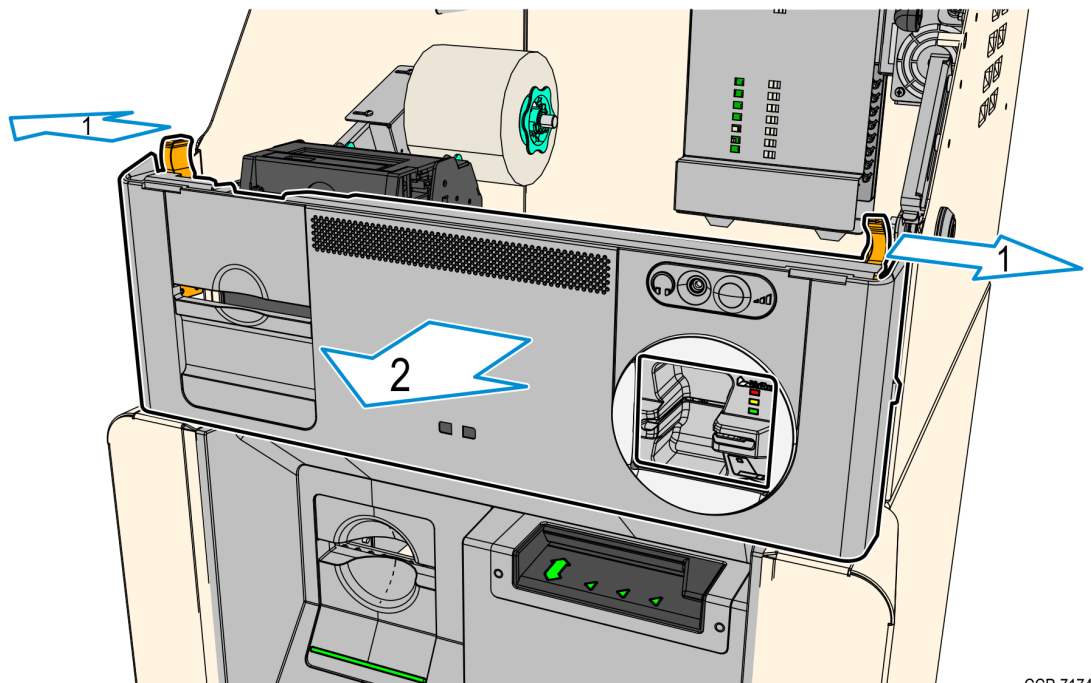


Note: This step is only applicable if the unit is configured with the Private Audio feature.



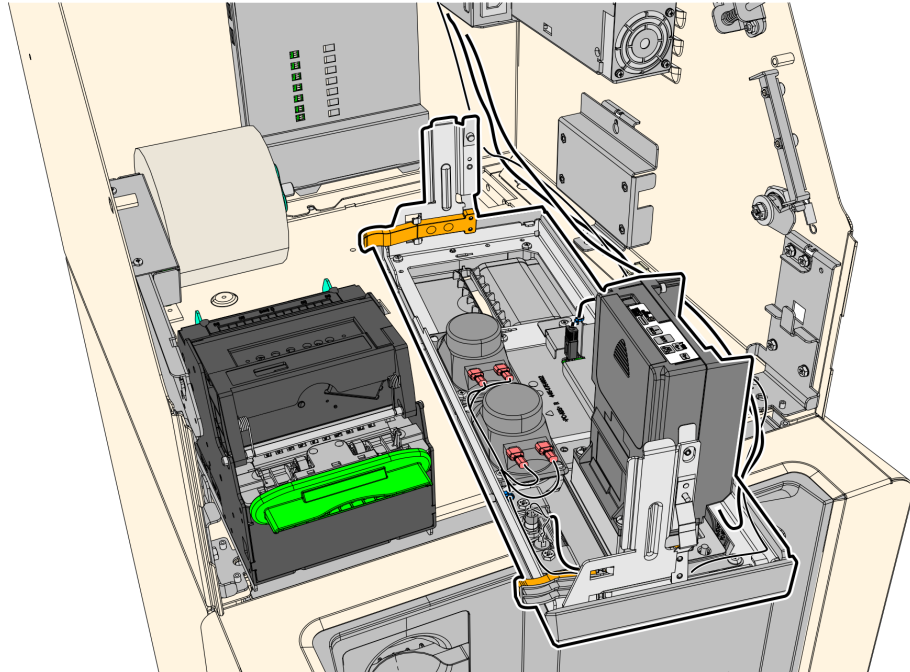
CCP-70869

2. Slide out the Front Panel from the Kiosk. Push the two orange latches outwards and pull the Front Panel towards you until it is out from the Kiosk.



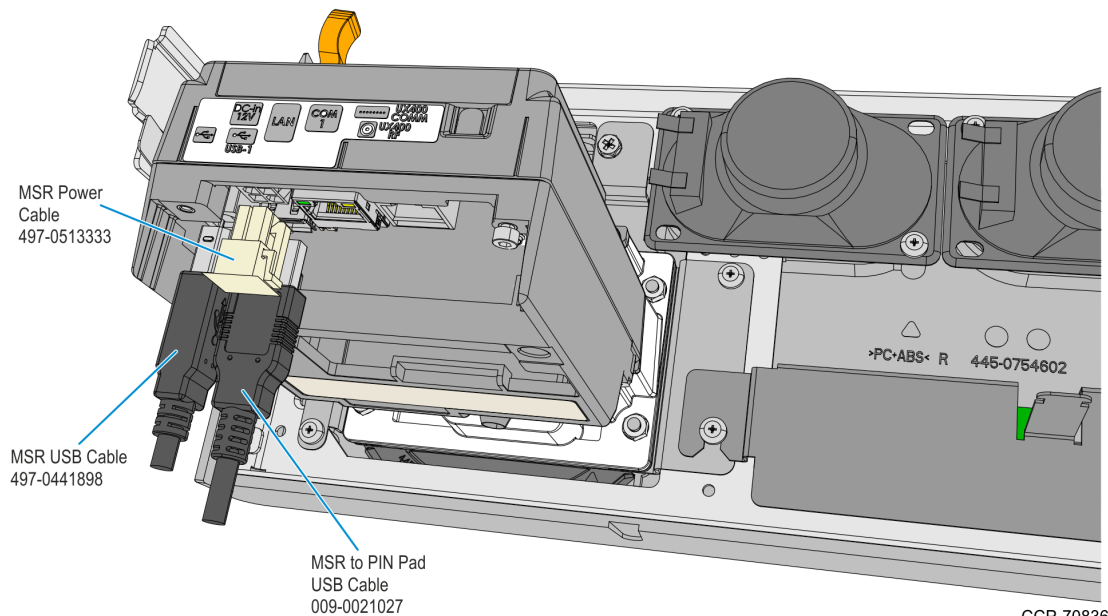
CCP-71741

3. Carefully place the Front Panel assembly face down on the Top Box. Note that the Speaker Harness and Proximity Detector USB cable are still secured to the Front Panel.



CCP-71742

4. Disconnect the following cables from the UX300 MSR:
 - MSR Power Cable
 - MSR USB Cable
 - MSR to PIN Pad USB Cable

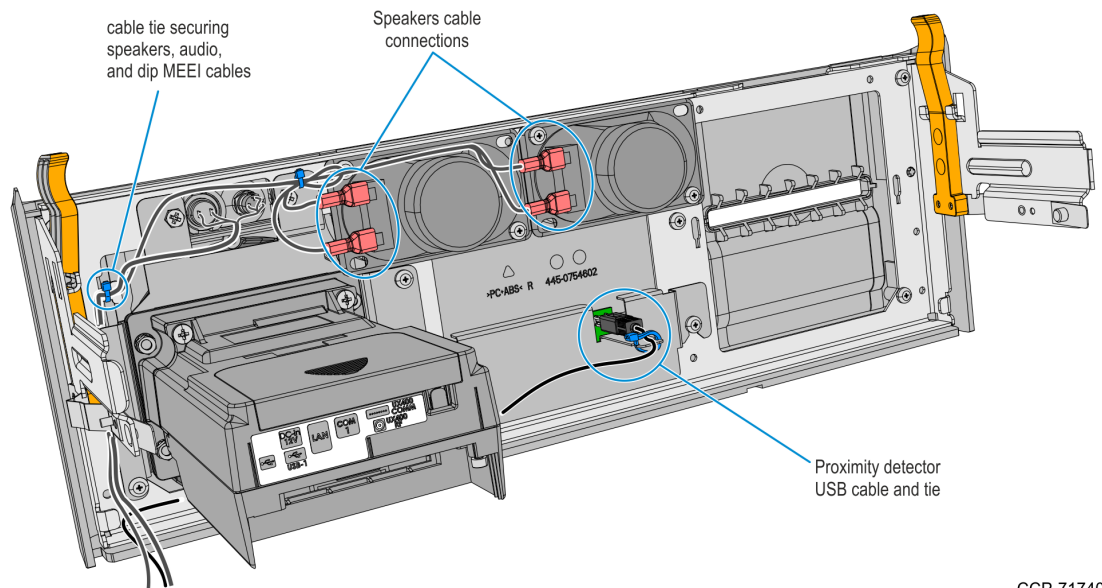


CCP-70836

5. Remove the cable ties securing the Fascia Cable Bundle, and then remove the MSR cables from the bundle.
6. Take note of the routing and disconnect the Speaker Harness and Proximity Detector USB Cable, cut off the cable ties securing them to the panel.

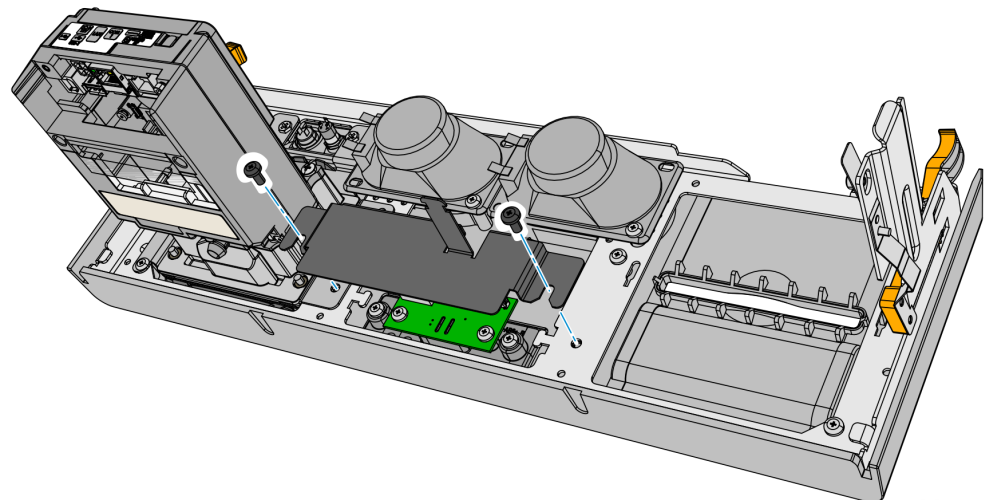


Note: Keep the cables safe and secured in the Top Box while working on the Front Panel.



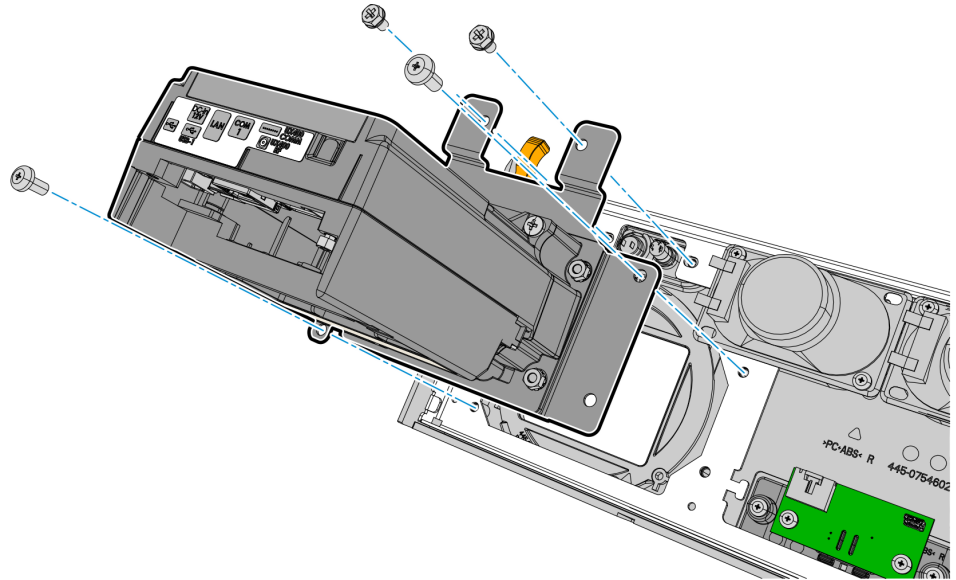
CCP-71740

7. Remove the two screws securing the Proximity Detector Cover then remove the cover from the Front Panel.



CCP-71743

8. Remove the four screws securing the UX300 MSR and Bracket assembly from the Front Panel and then remove the assembly.

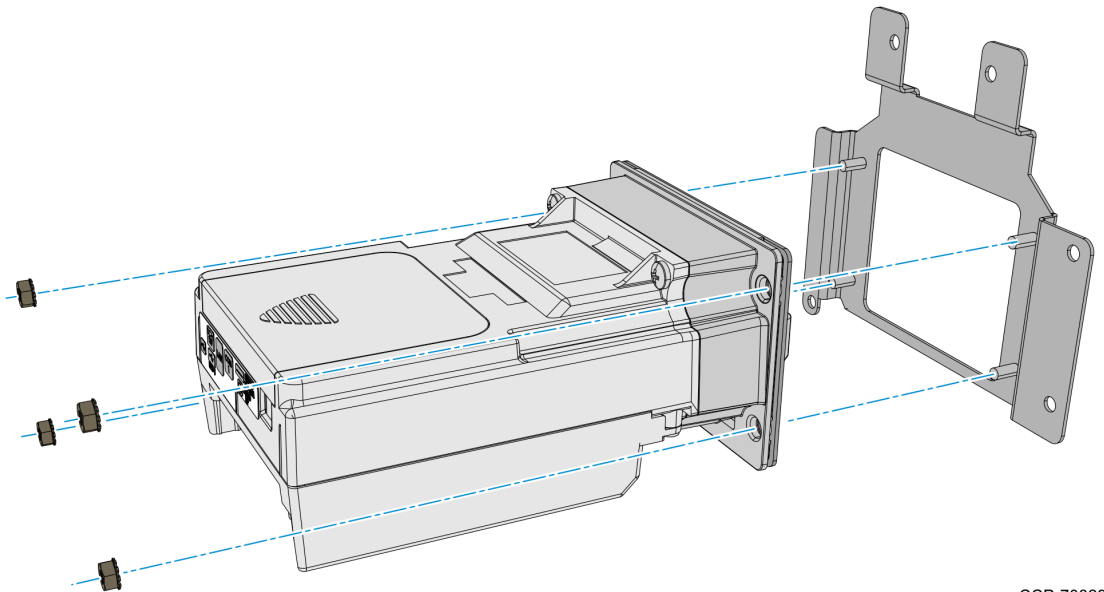


CCP-70830

9. Remove the four nuts securing the UX300 MSR to the bracket.

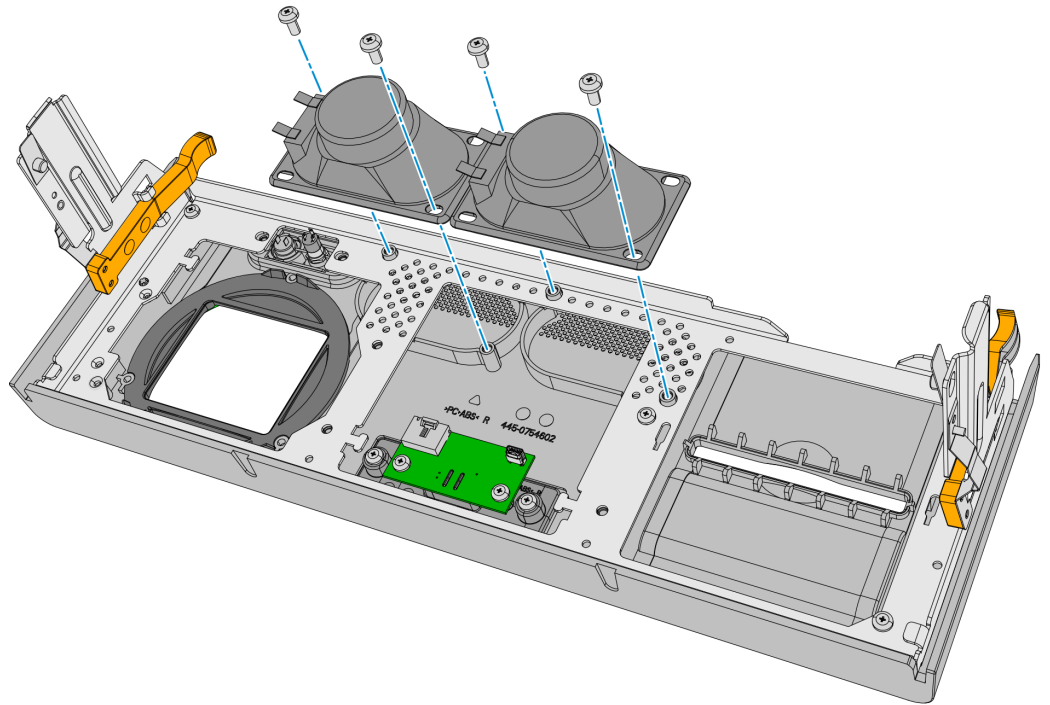


Note: The UX300 MSR will be installed to the new Fascia Panel included in this kit.

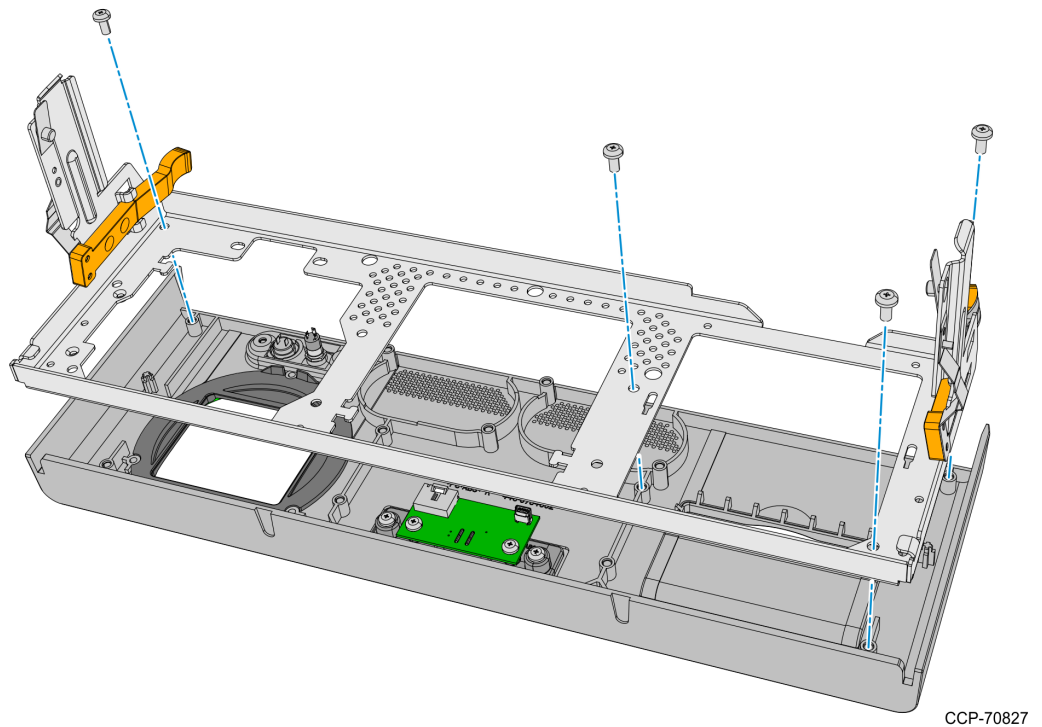


CCP-70829

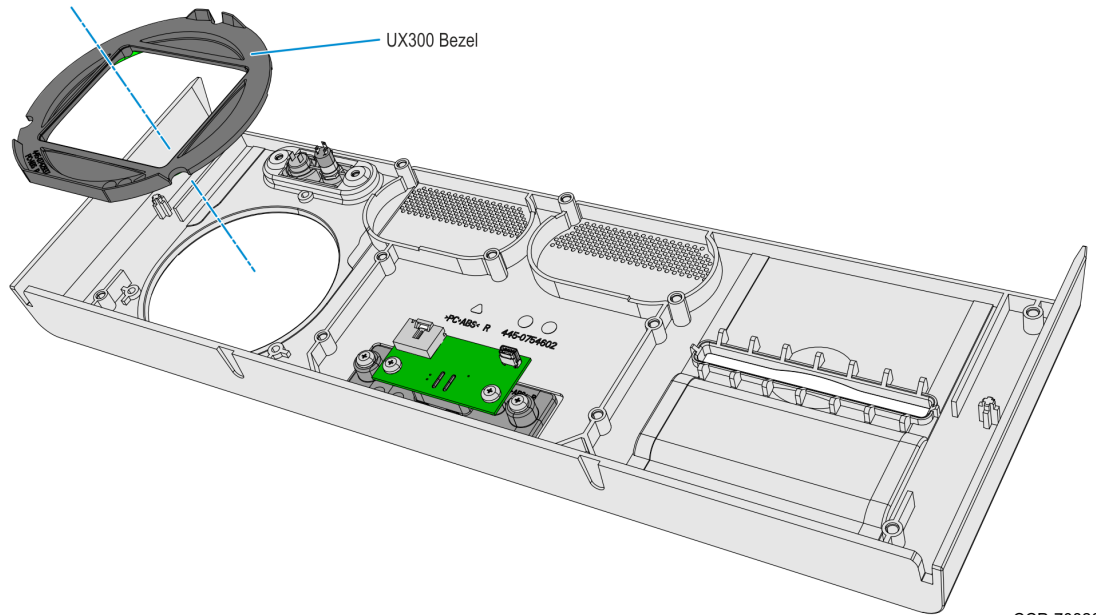
10. Remove the screws (2 on each speaker) securing the Speakers to the Front Panel then remove the Speakers.



11. Remove four screws securing the Panel Frame from the Front Panel.

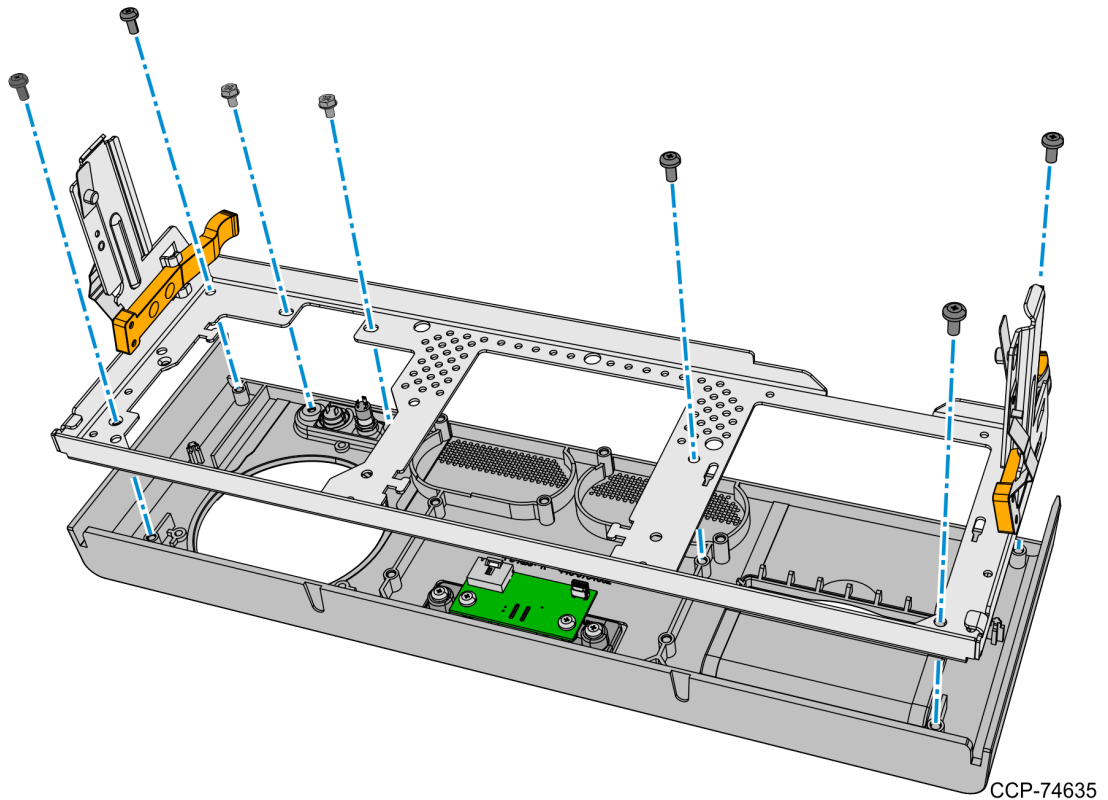


12. Remove the UX300 MSR Bezel from the Front Panel.



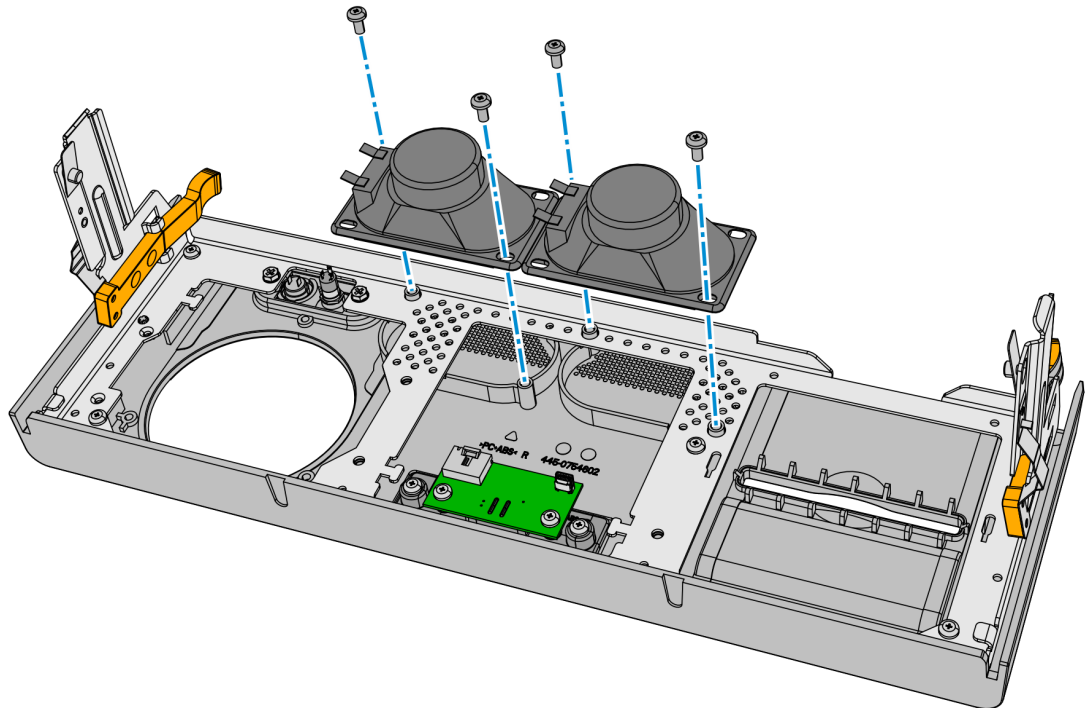
CCP-70826

13. Mount and secure the Panel Frame to the Front Panel using seven screws.



CCP-74635

14. Mount and secure the Speakers to the Front Panel using two screws on each speaker.

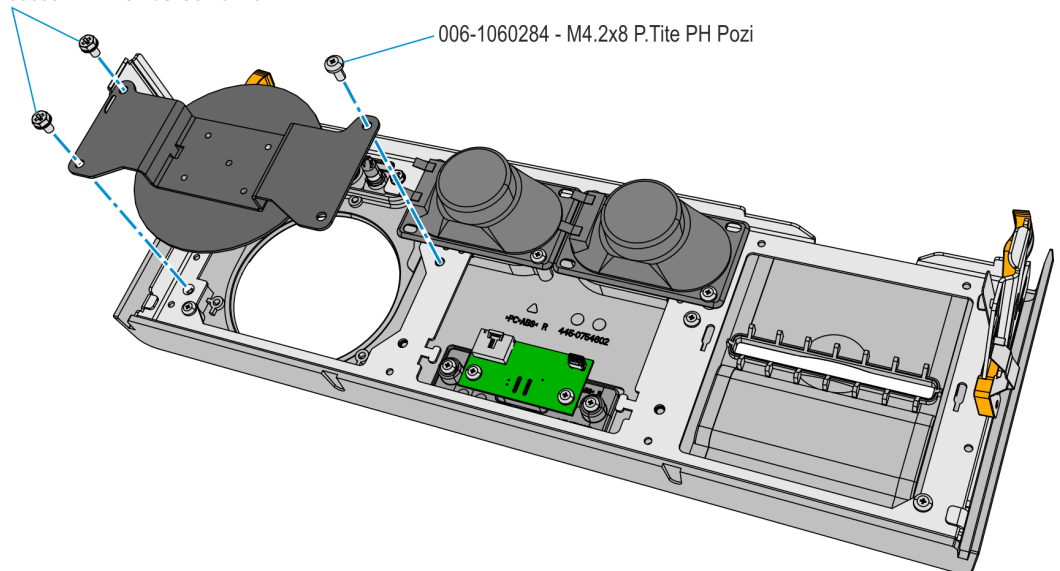


CCP-74636

15. Mount and secure the Blank Plate to the Fascia Panel using 3 screws. Use the screws included in this kit and take note of the types of screws used.

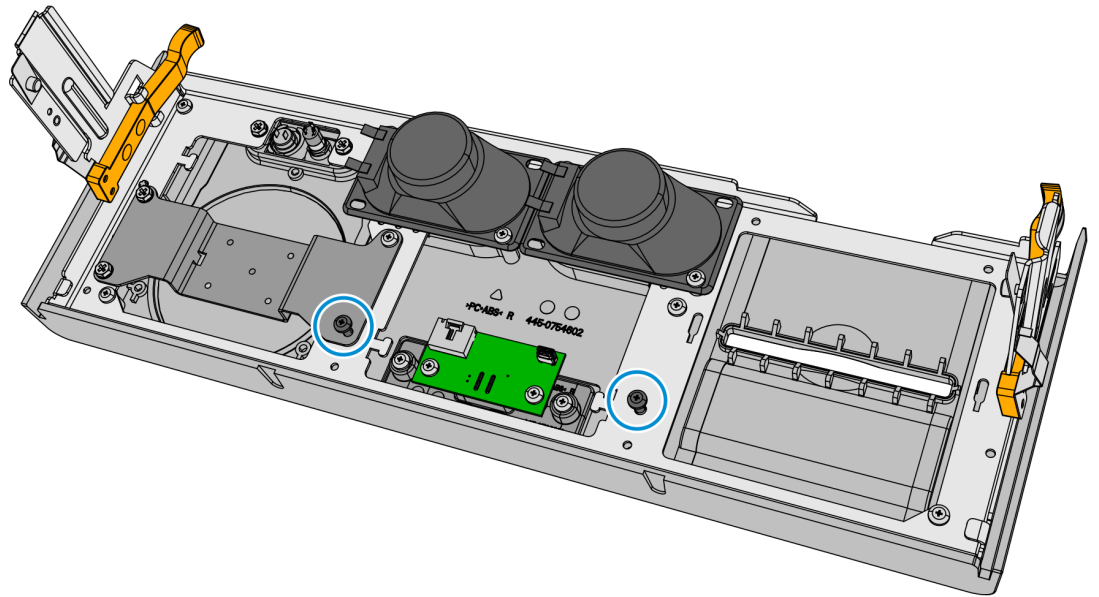
009-006592 - M4x6 M/C Combi Pozi

006-1060284 - M4.2x8 P.Tite PH Pozi



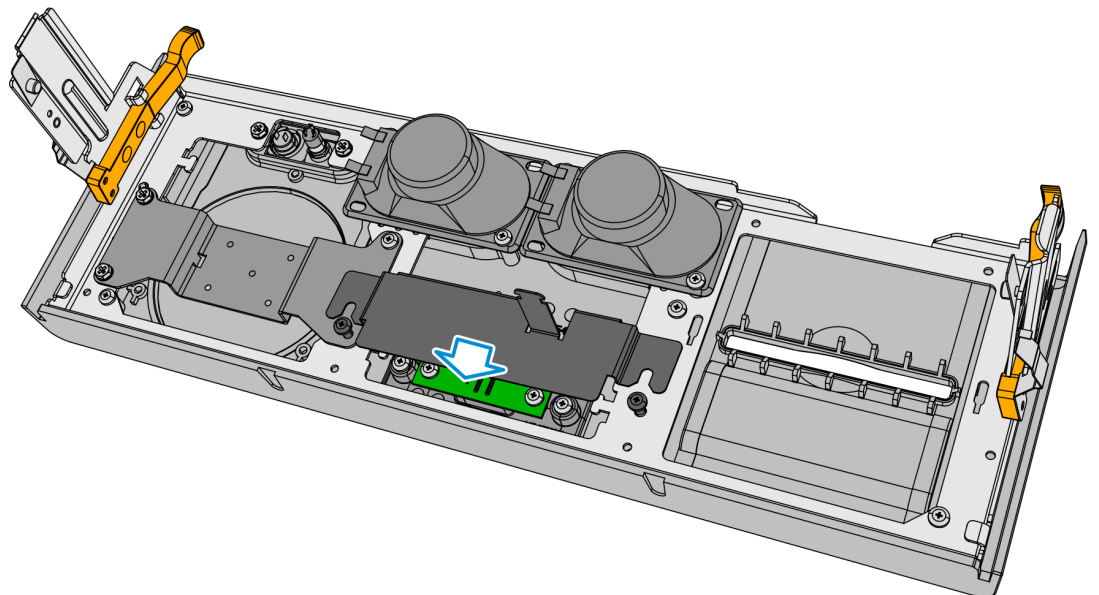
CCP-74637

16. Mount and partially tighten two screws for the Proximity Detector Cover.



CCP-74638

17. Insert and slide the Proximity Detector Cover under the partially tightened screws, then fully tighten the two screws to secure the cover.



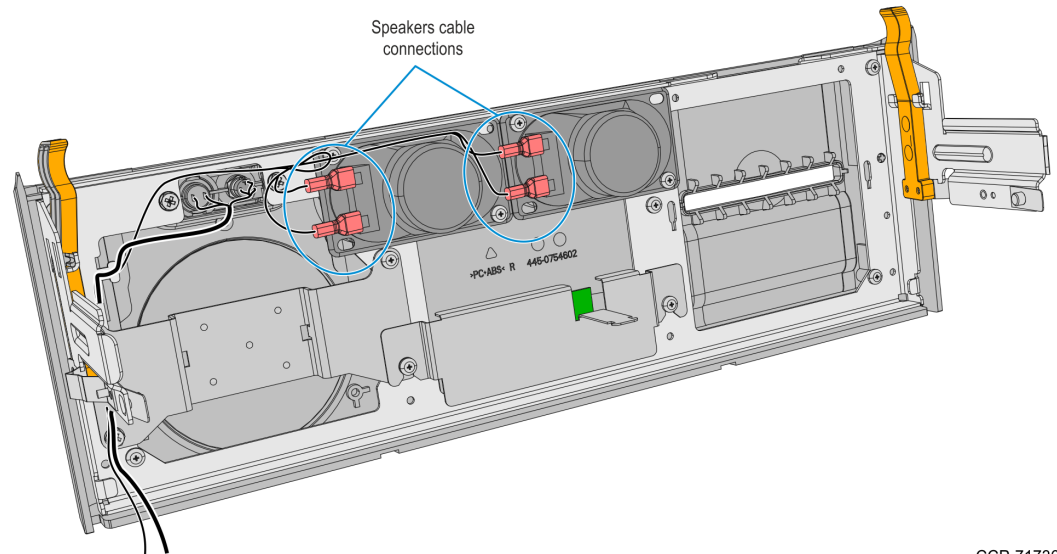
CCP-74639

18. Connect the Speaker Cables to the Speakers.



Note: Make sure that the correct cable wire is connected to the appropriate speaker connection terminal.

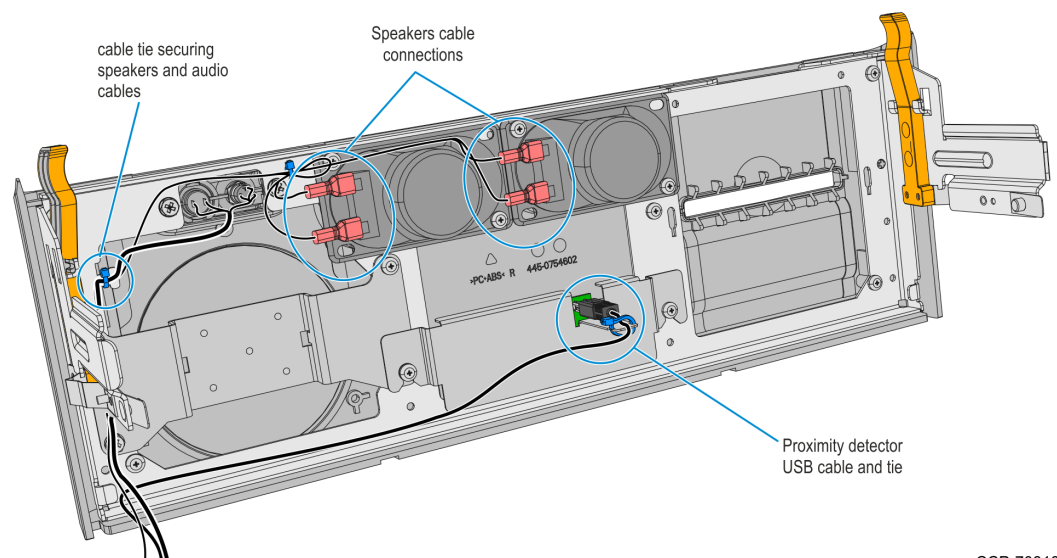
- Connect "-" cable wire to "-" speaker terminal
- Connect "+" cable wire to "+" speaker terminal



CCP-71736

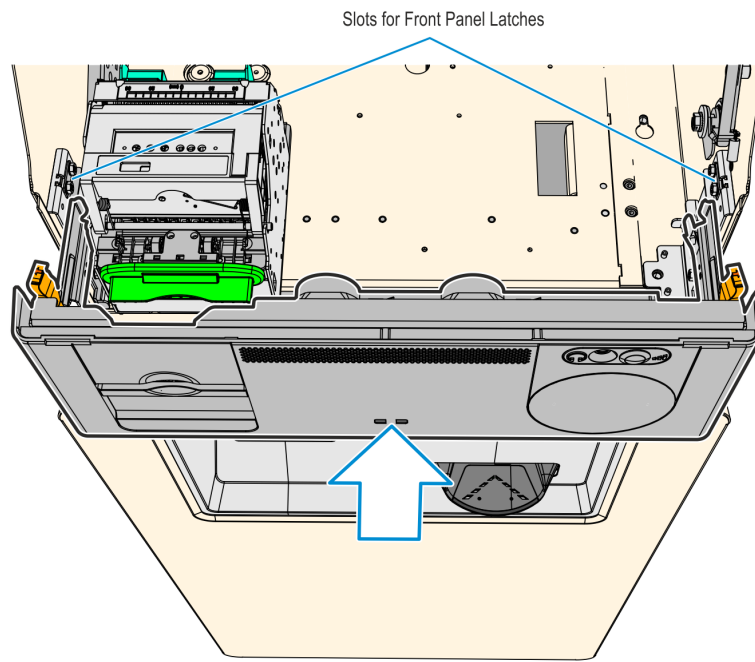
19. Route the Speaker Cables to the left-hand side of the Front Panel and secure them with the Private Audio Cable with a cable tie.

20. Connect the Proximity Detector USB Cable to the Proximity Detector Board and secure the Cable to the Cover with a cable tie.



CCP-70818

21. Route the Proximity Detector USB Cable towards the left-hand side of the Front Panel.
22. Align the Front Panel latches to the slots in the Top Box, then push the Front Panel into the Top Box.

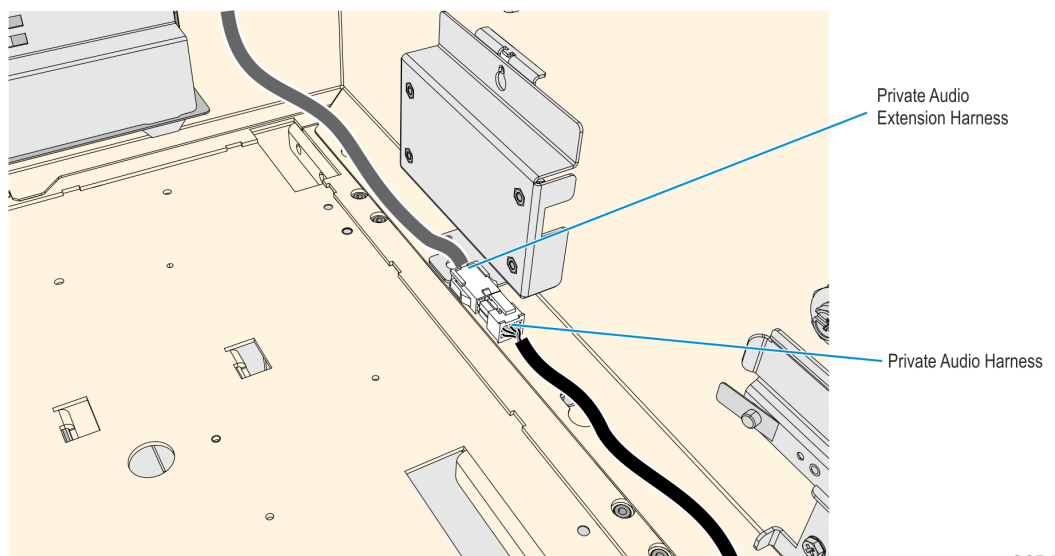


CCP-71737

23. Inside the Top Box, connect the Private Audio Cable to the Private Audio Extension.



Note: This step is only applicable if the unit is configured with the Private Audio feature.



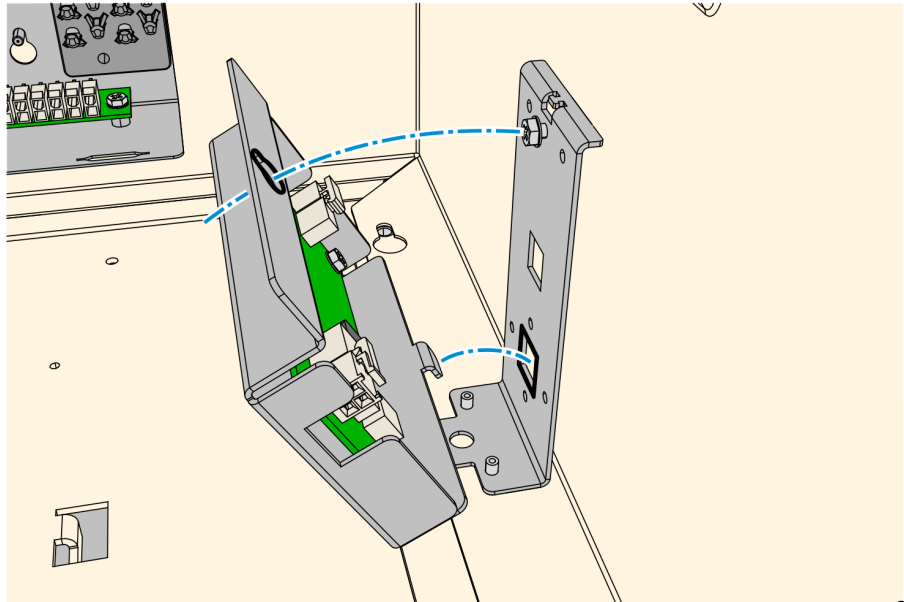
CCP-70869

24. Remove and discard the current UX300 MSR DC Cable.



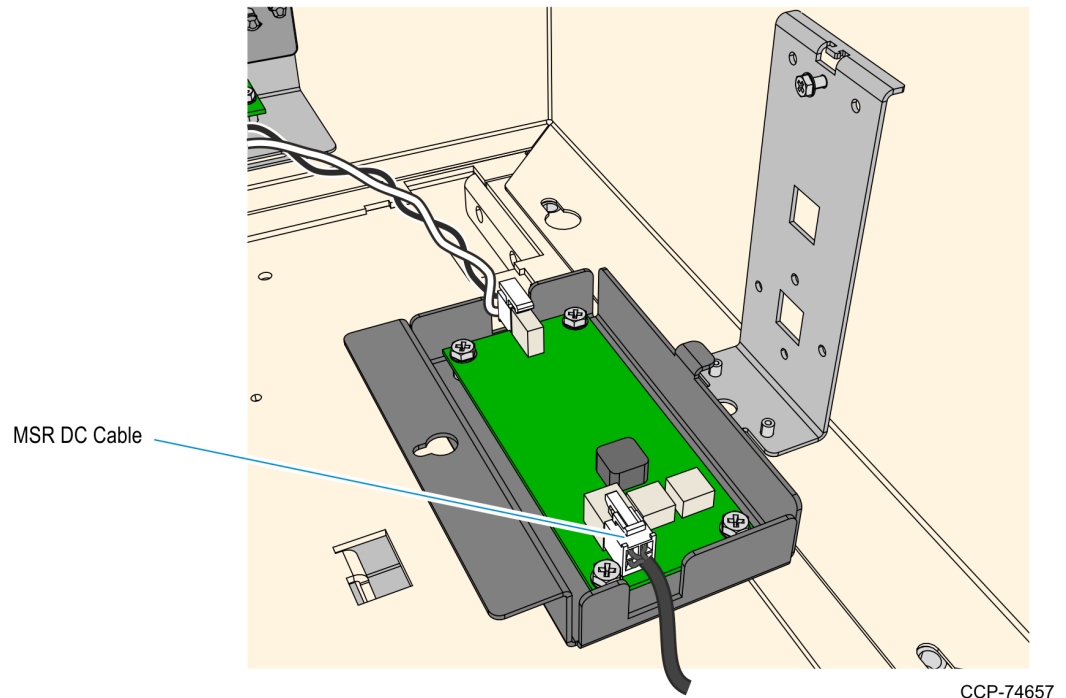
Note: This cable will be replaced with the **2m** UX300 DC cable (497-0522036) included in this kit.

- a. Loosen the screw securing the 12V Regulator to the kiosk.
- b. Slide the 12V Regulator assembly upward and rotate backward to remove the assembly.

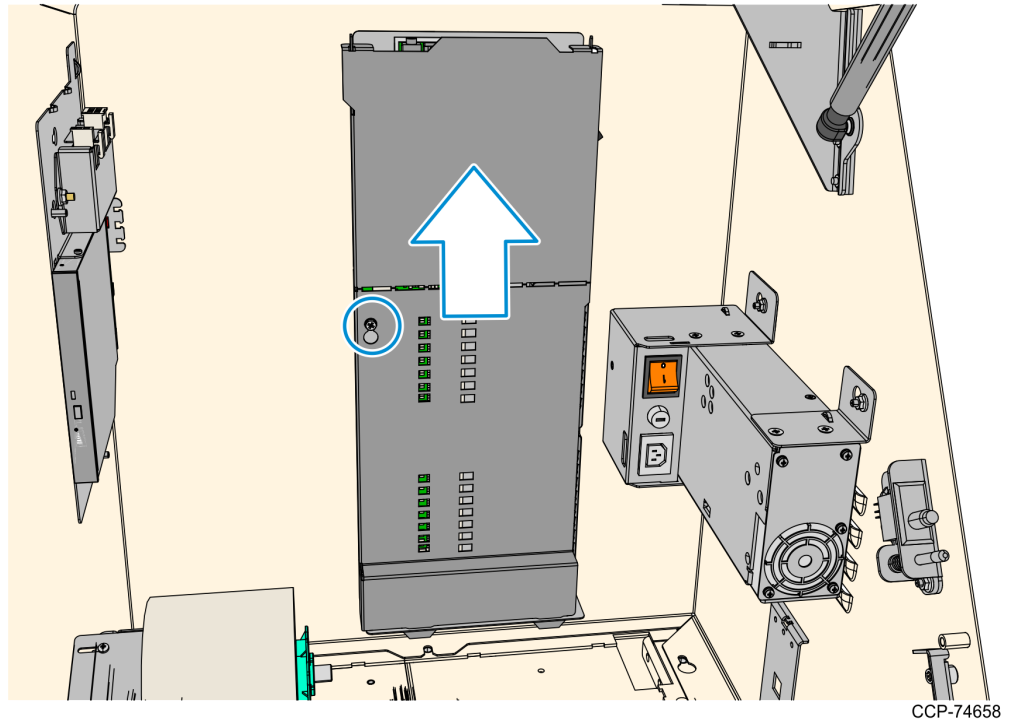


CCP-74657

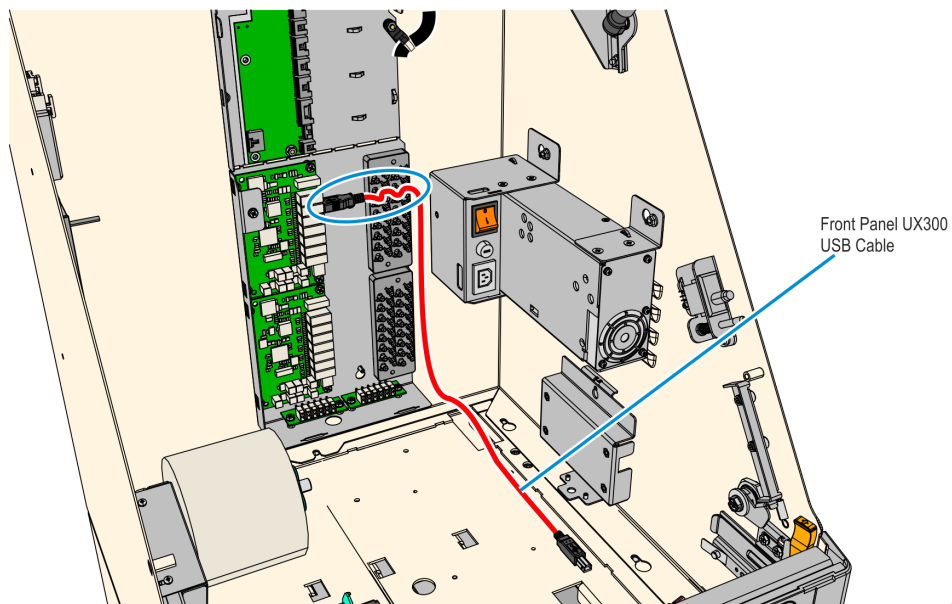
- c. Disconnect the UX300 MSR DC Cable from the regulator, and then discard the cable.



25. Remove the I/O Panel Cover.
 - a. Loosen the screw that secures the I/O Panel Cover.
 - b. Slide the cover upward to unlatch its tabs and hooks from the I/O Panel.



26. Disconnect the Front Panel UX300 cable from the USB Hub, and then discard the cable.



CCP-74689



Note: For the next procedure, refer to [Installation Procedure](#) on page 4.

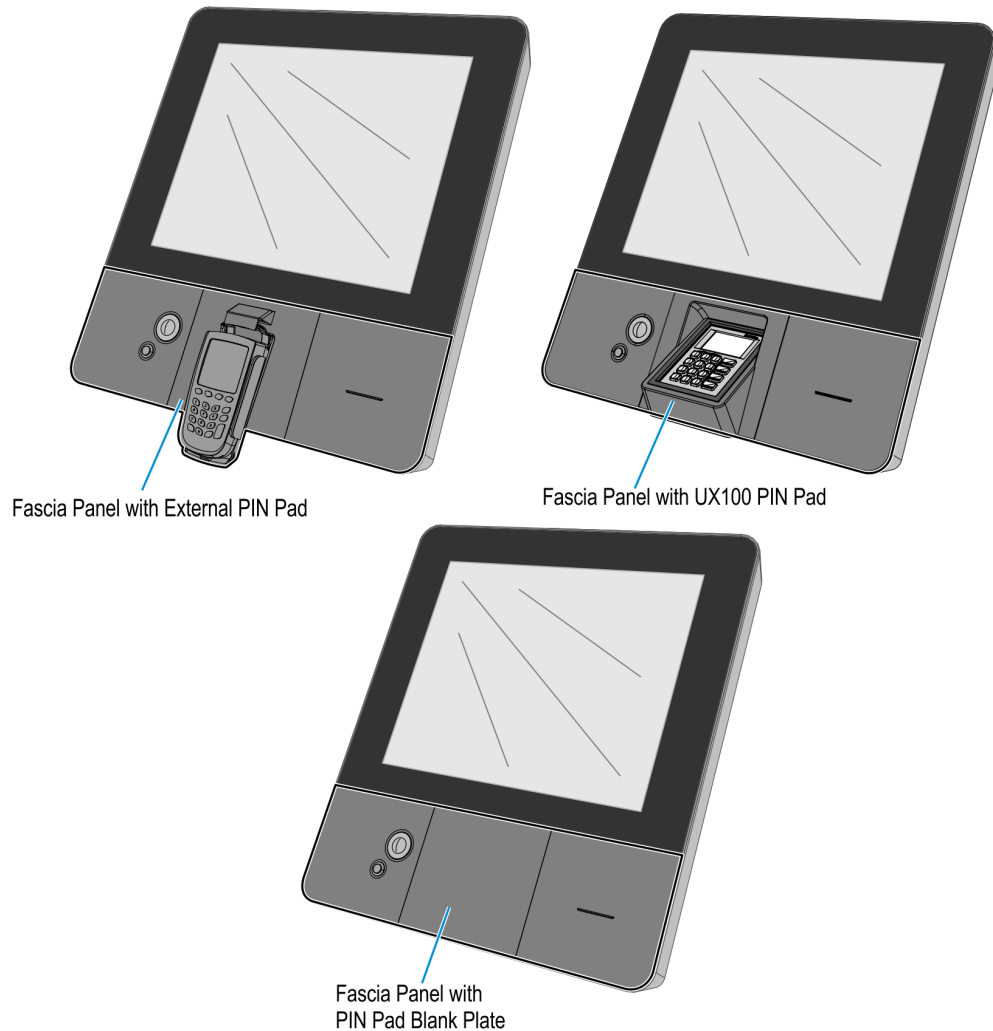
Removing the Fascia Panel

The Fascia Panel can contain different PIN pads or a blank plate, refer to the sections below as appropriate for the Fascia Panel configuration in the kiosk:

- [Removing the Fascia Panel with an External PIN Pad](#) on the facing page
- [Removing the Fascia Panel with a UX100 PIN Pad](#) on page 38
- [Removing the Fascia Panel with a Blank Plate](#) on page 41



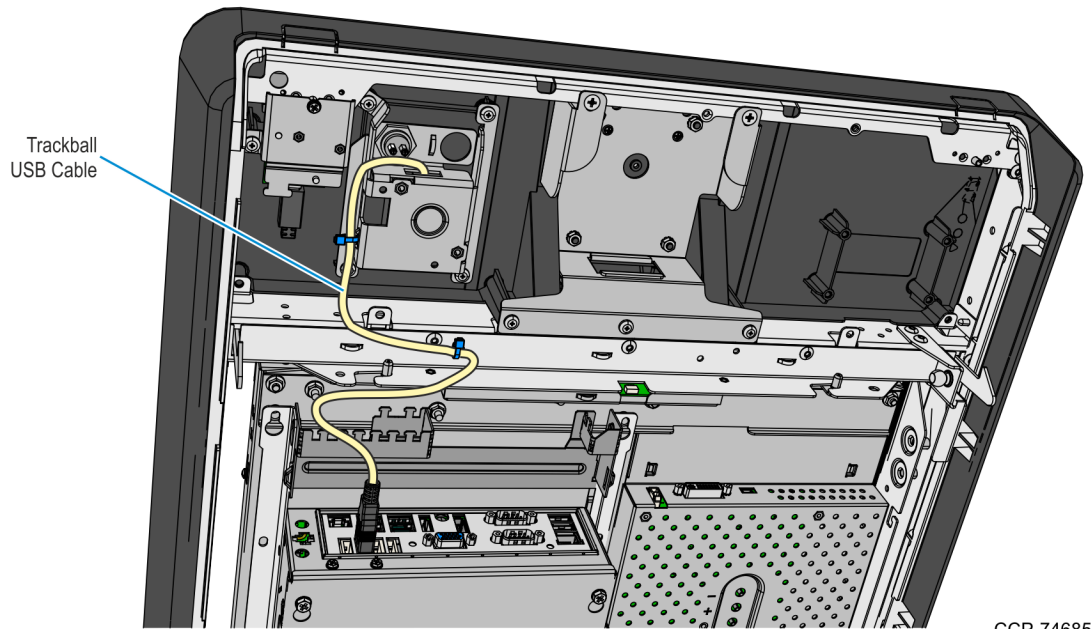
Note: The Fascia Panel may also have a Trackball, which is not compatible with this kit and will be discarded together with the panel.



Removing the Fascia Panel with an External PIN Pad

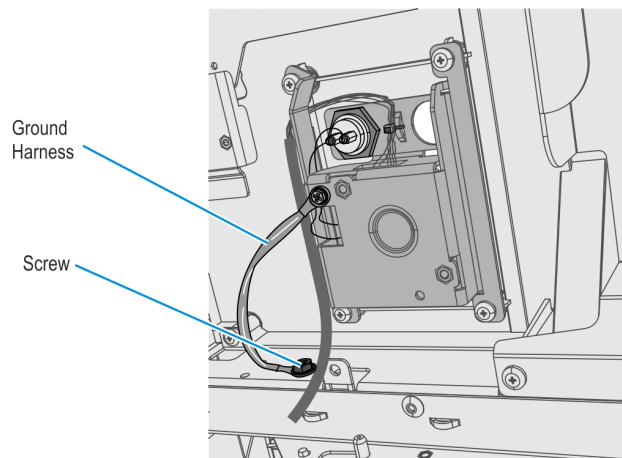
The current Fascia Panel may contain an external PIN Pad and a Trackball that will be removed and discarded in order to install this kit.

1. If a Trackball is present, disconnect the following Trackball cables:
 - a. USB Cable from the EBox. Cut off the cable ties securing the cable to the Fascia.



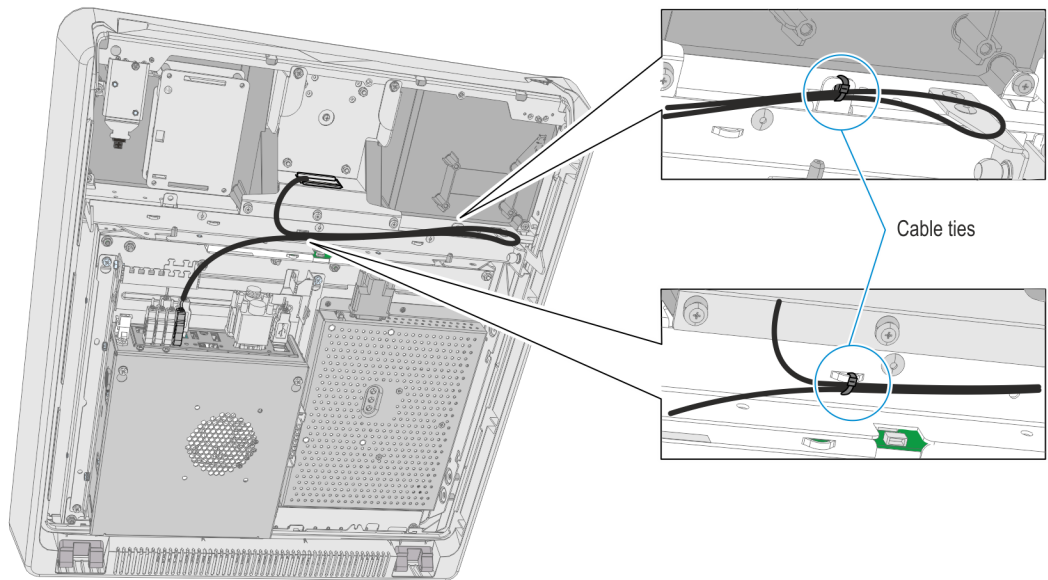
CCP-74685

- b. Ground Harness from the Fascia Bracket. Remove the screw securing the harness to the bracket.



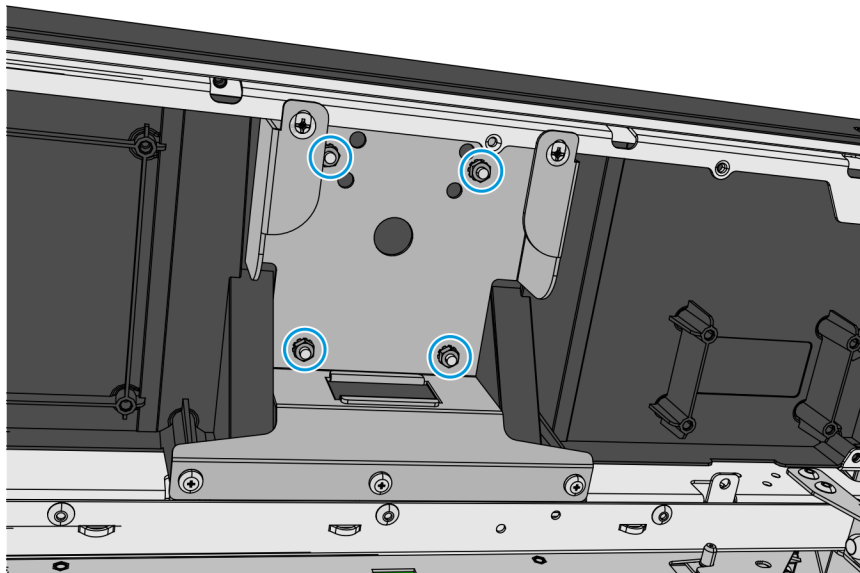
CCP-74683

2. Disconnect the PIN Pad USB cable from the EBox and cut off the cable ties securing the cable to the Fascia.



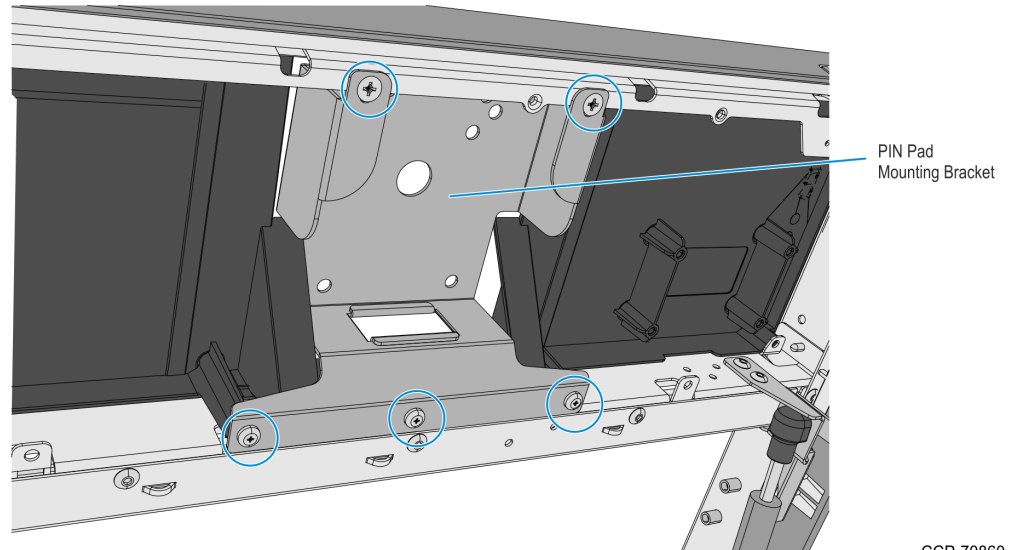
CCP-63011

3. Remove the four nuts securing the PIN Pad Mounting Plate from the Fascia Panel.

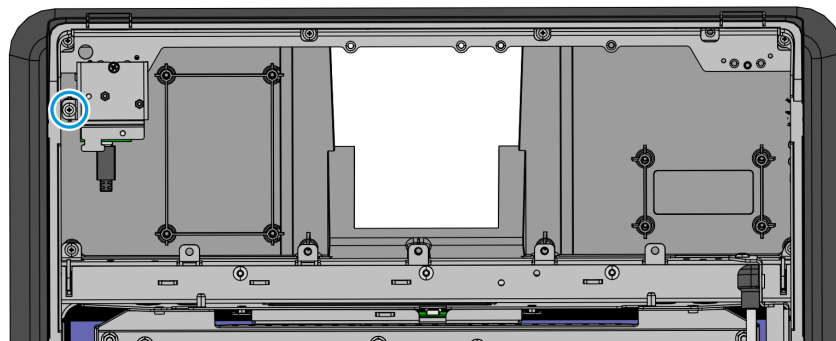


CCP-74686

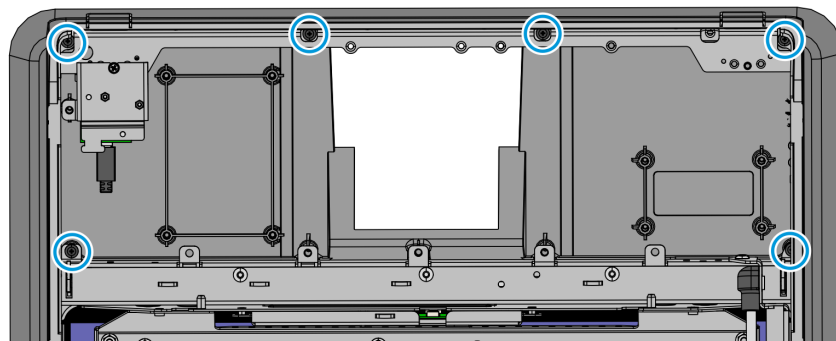
4. Remove the five screws securing the PIN Pad Bracket from the Fascia Panel.



5. Remove the screw securing the Fascia Panel to the Barcode Reader assembly.



6. Remove the six screws securing the Fascia Panel to the Main Fascia and then remove the panel from the kiosk.



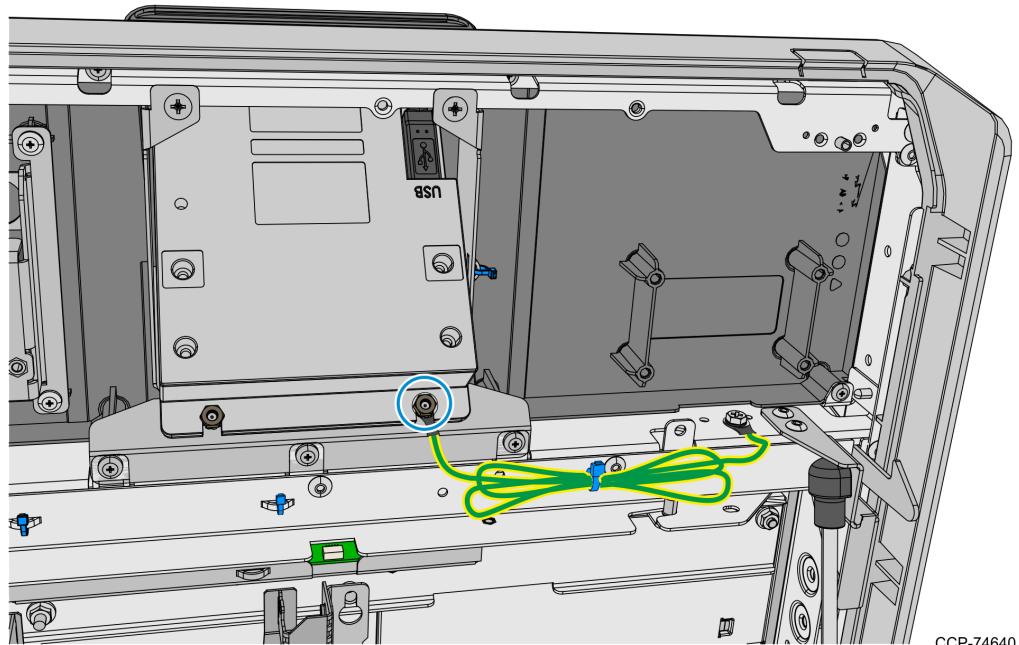
Note: For the next procedure, refer to [Installation Procedure](#) on page 4.

Removing the Fascia Panel with a UX100 PIN Pad

The following components in this procedure will be re-used to support installation of this kit:

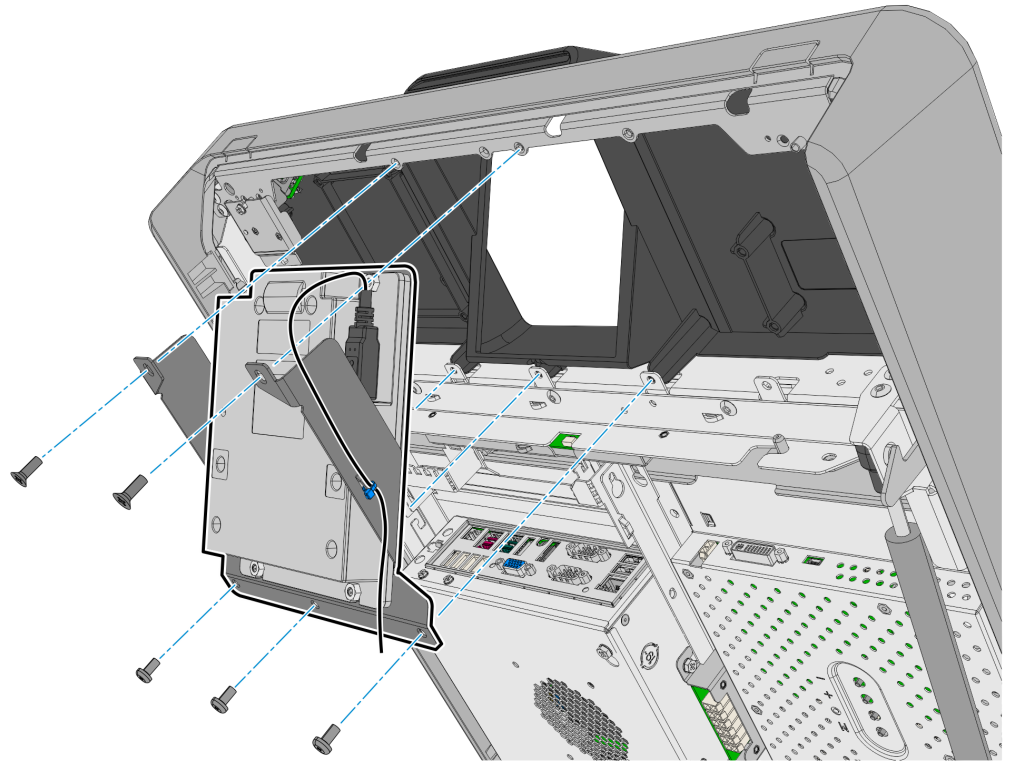
- UX100 PIN Pad and Bracket assembly
- PIN Pad Ground Harness
- PIN Pad USB cable

1. Remove the nut securing the PIN Pad Ground Harness to the PIN Pad.



CCP-74640

2. Remove the five screws securing the PIN Pad and Bracket assembly to the Fascia Panel and then remove the assembly.

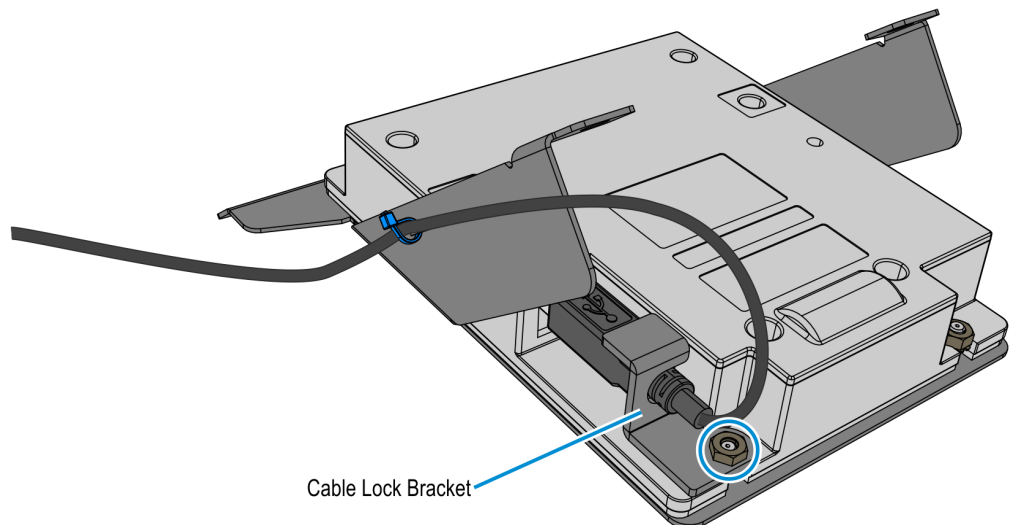


CCP-70852

3. Cut off the cable tie securing the PIN Pad cable to the bracket, remove the nut securing the cable lock bracket and then disconnect the cable from the PIN Pad.

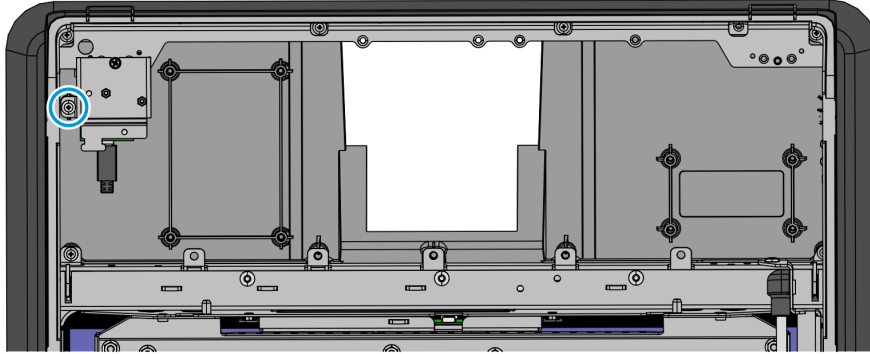


Note: Keep the PIN Pad and Bracket assembly for installation to the new Fascia Panel later. The PIN Pad USB cable will also be re-used to connect the UX300 MSR to the USB Hub in the Top Box I/O Panel after installing the new Fascia Panel. For details, see [Rerouting the UX100 to Front Panel UX300 USB Cable](#) on page 1.



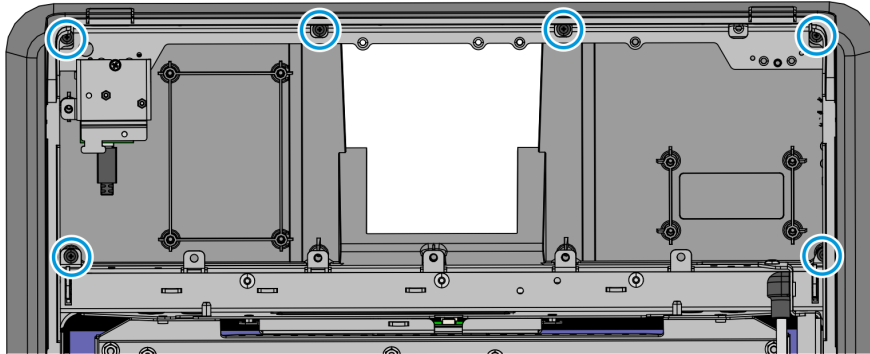
CCP-74667

4. Remove the screw securing the Fascia Panel to the Barcode Reader assembly.



CCP-74641

5. Remove the six screws securing the Fascia Panel to the Main Fascia and then remove the panel from the kiosk.



CCP-74642

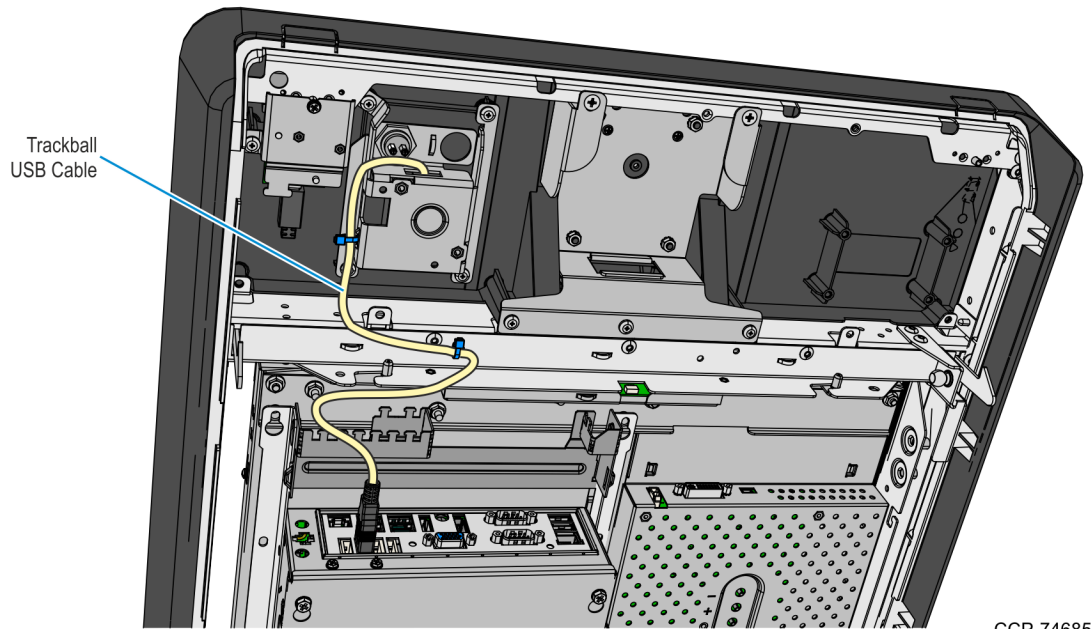


Note: For the next procedure, refer to [Installation Procedure](#) on page 4.

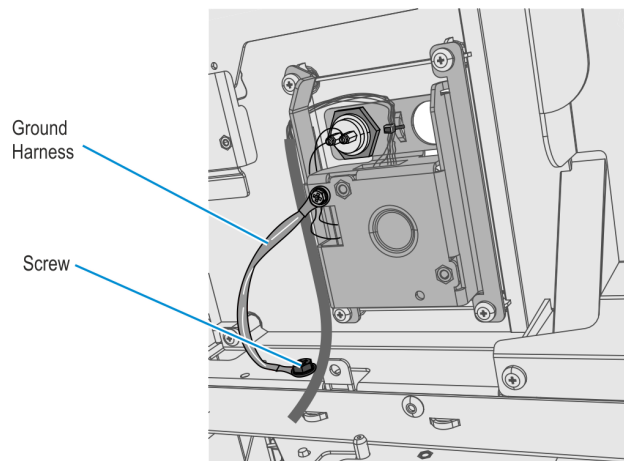
Removing the Fascia Panel with a Blank Plate

The current Fascia Panel may contain a Trackball that will be removed and discarded in order to install this kit.

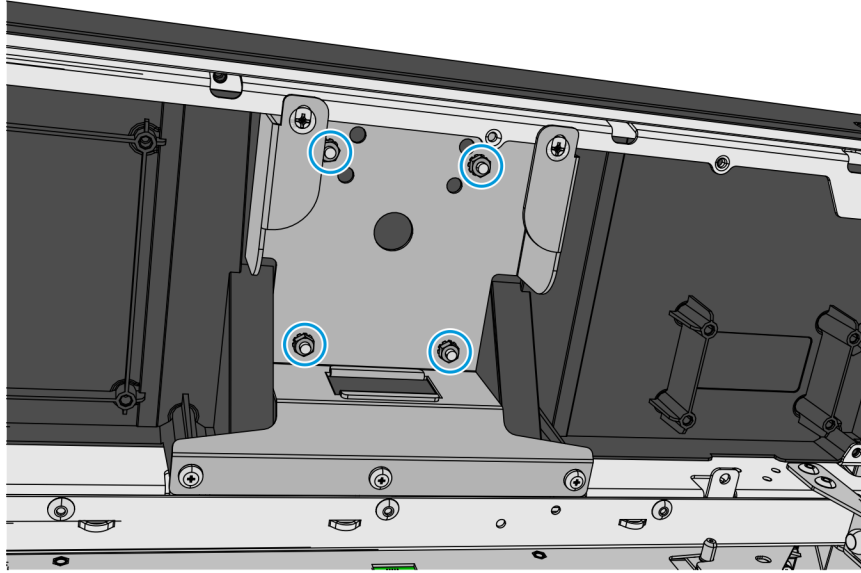
1. If a Trackball is present, disconnect the following Trackball cables:
 - a. USB Cable from the EBox. Cut off the cable tie securing the cable to the Fascia Bracket.



- b. Ground Harness from the Fascia Bracket. Remove the screw securing the harness to the bracket.

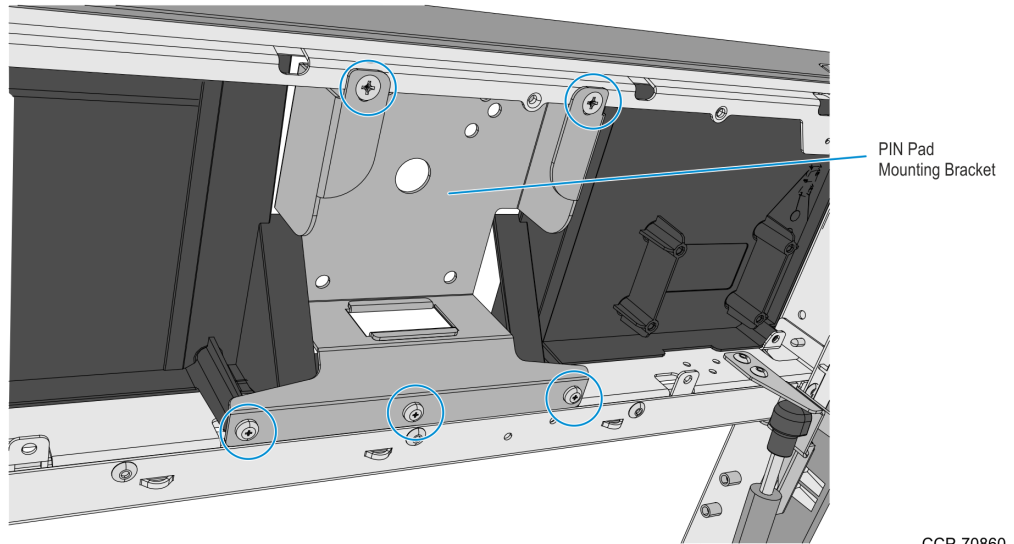


2. Remove the four nuts securing the PIN Pad Mounting Plate from the Fascia Panel.



CCP-74686

3. Remove the five screws securing the Blank Plate Bracket from the Fascia Panel.

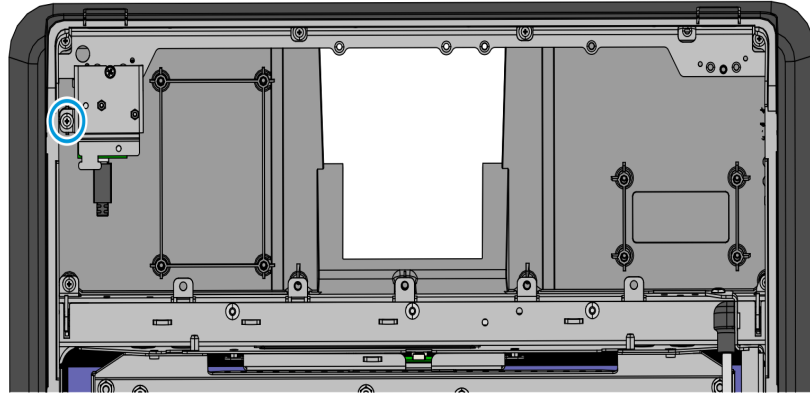


CCP-70860

4. Remove the screw securing the Fascia Panel to the Barcode Reader assembly.

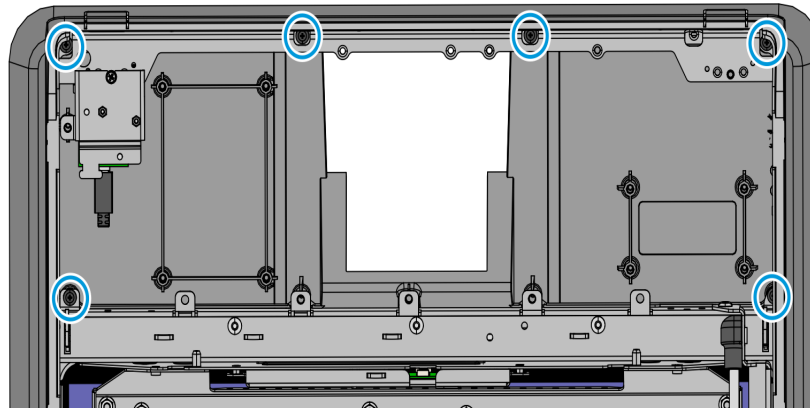


Note: After removing the screw, the Barcode Assembly will be left hanging. Be careful not to damage the Barcode Reader ribbon cable.



CCP-74641

5. Remove the six screws securing the Fascia Panel to the Main Fascia and then remove the panel from the kiosk.



CCP-74642



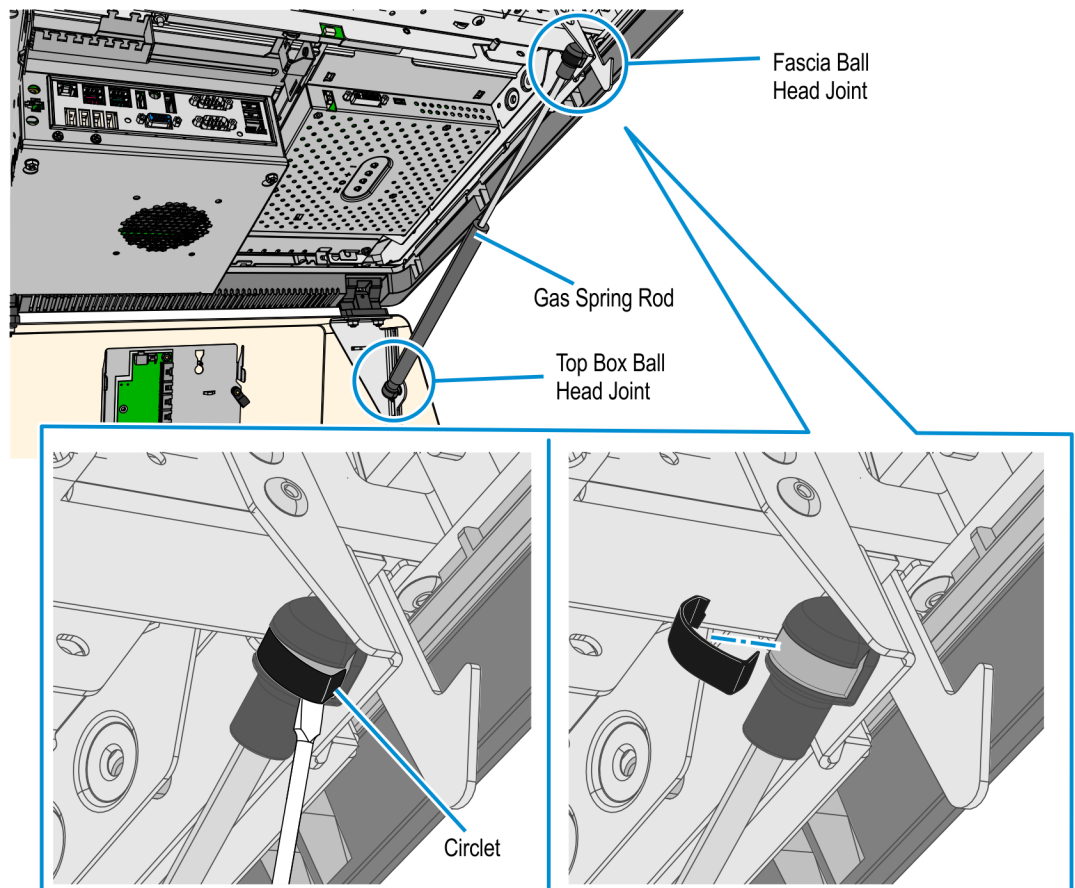
Note: For the next procedure, refer to [Installation Procedure](#) on page 4.

Replacing the Gas Spring Rod

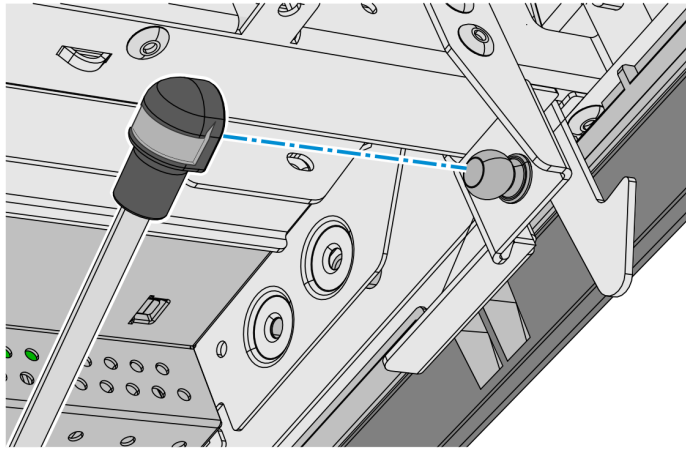


Caution: It is recommended that this procedure be performed by at least two persons, one to hold and support the Fascia Assembly and another to remove and install the Gas Spring Rod. If performed by only one person, ensure that the Fascia Assembly is adequately supported when removing the Gas Spring Rod.

1. While supporting the Fascia, remove the current Gas Spring Rod.
 - a. At the Fascia side, use the tip of a flat-head screwdriver to pry the metal circlet off of the end cap of the rod.

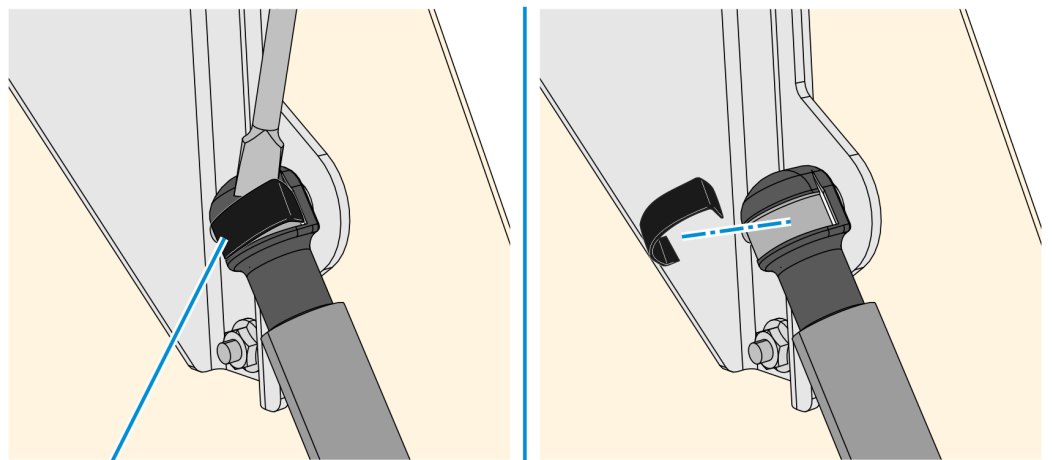


- b. Pull out the end cap of the rod from the ball head joint of the bracket.



CCP-75358

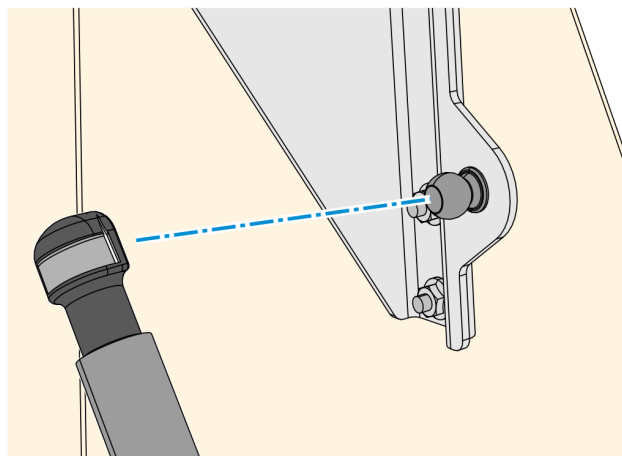
- c. At the Top Box side, use the tip of a flat-head screwdriver to pry the metal circlet off of the end cap of the cylinder.



Circlet

CCP-75359

- d. Pull out the end cap of the cylinder from the ball head joint of the bracket.

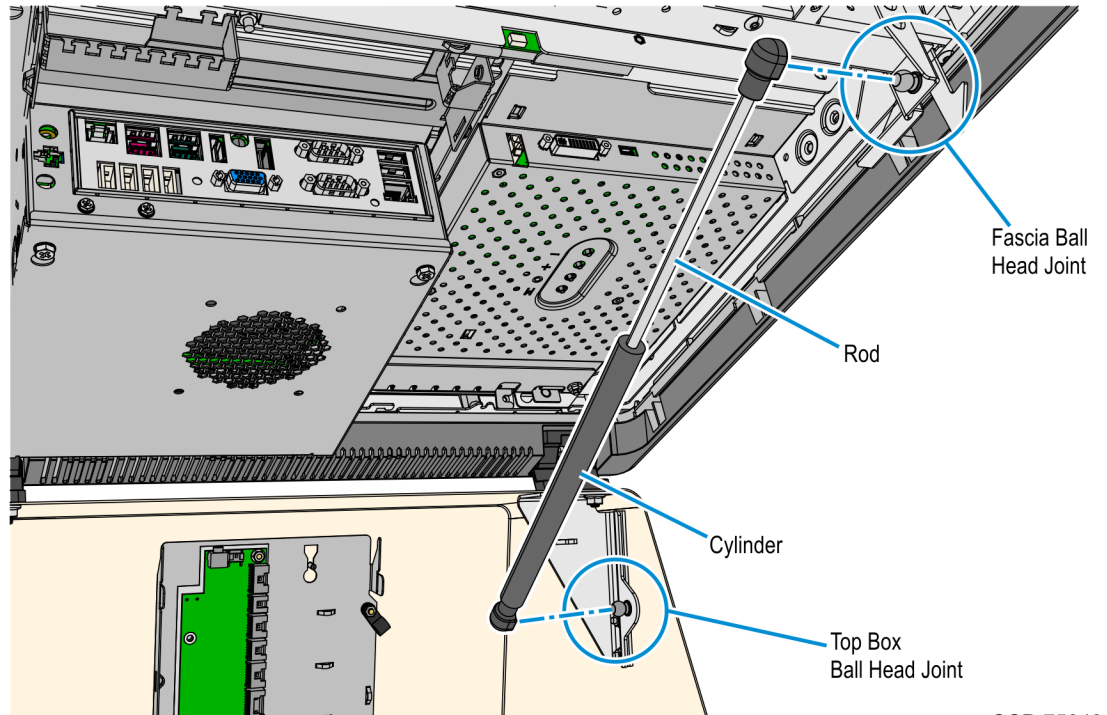


CCP-75360

2. To install the new Gas Spring Rod, press fit the end caps of the rod to the ball head joints of the Fascia and Top Box brackets. Install the thick cylinder side of the Gas Spring Rod to the Top Box ball joint and install the thin side to the Fascia ball joint.



Note: After the Gas Spring Rod is installed, ensure that the rod can support the Fascia Assembly when opened and that the Fascia Assembly does not close or drop without assistance.



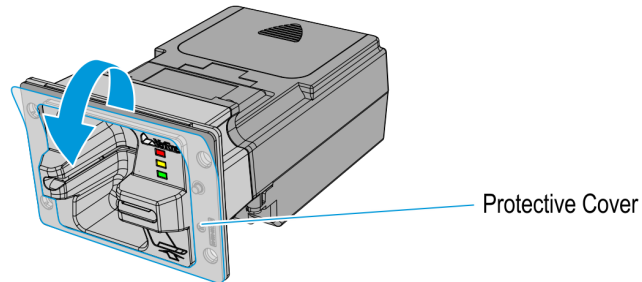
CCP-75349



Note: For the next procedure, refer to [Installation Procedure](#) on page 4.

Installing the New Fascia Panel Assembly

1. Install the UX300 MSR to the Fascia Panel.
 - a. If the UX300 MSR is new, remove the protective cover over its black weather seal.



CCP-75663

- b. Mount the UX300 MSR to the Fascia Panel, and then carefully tighten the four M4 keps nuts to secure the UX300.

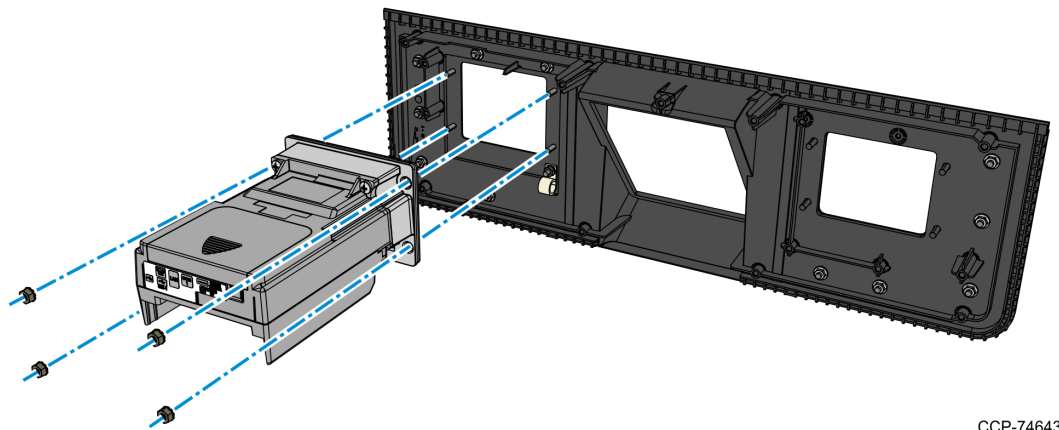


Note: Take note of the following:

- Ensure that the keps nuts are evenly tightened.
- Tighten the nuts up to 7.0 kg-F using a #7mm nut driver torque limiter. The correct tightness of the nuts is important to ensure that the tamper switches of the UX300 Card Reader are properly depressed.

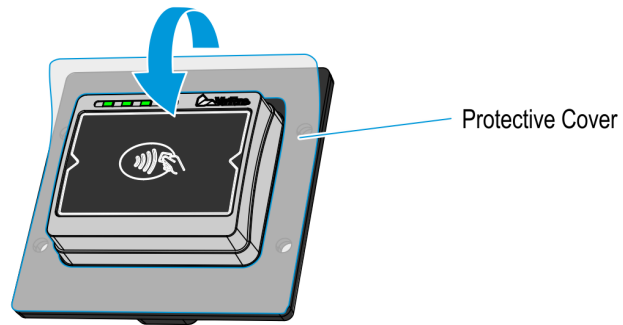


Caution: Do NOT cross thread the nuts on their anchor posts. Use a Long Thin Wall Nut Driver to easily and properly secure the UX300 to the panel.



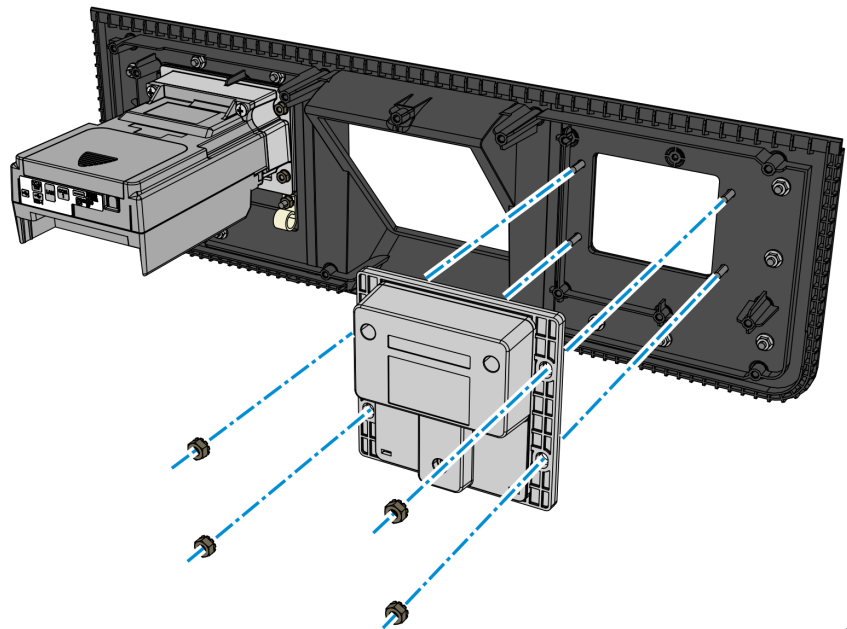
CCP-74643

2. Install the UX400 NFC Reader to the Fascia Panel.
 - a. If the UX400 NFC Reader is new, remove the protective cover over its black weather seal.



CCP-75661

- b. Mount the UX400 NFC Reader to the Fascia Panel, and then carefully tighten the four M4 keps nuts to secure the UX400. Use a diagonal pattern in tightening the keps nuts to ensure that the exposed surface of the UX400 remains level.



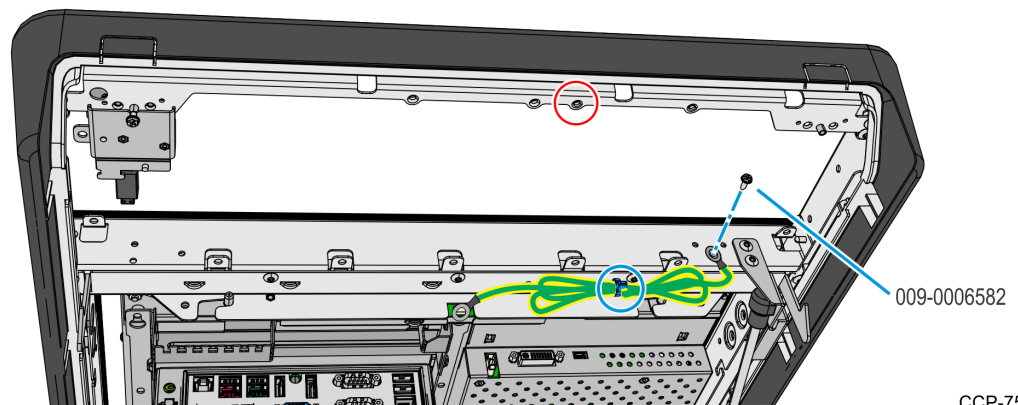
CCP-74644

3. In the Kiosk Fascia, secure one end of the PIN Pad Ground Harness to the right-hand side of the Fascia Frame Bracket using an M4x6 M/C Combi Pozi screw (009-0006582), and then bundle the harness and secure it to the bracket using a cable tie as shown below.



Note: Take note of the following:

- If the kiosk previously contained a UX100 PIN Pad, then the ground harness may already be installed. If not, then the ground harness would come with the new UX100 PIN Pad.
- The UX100 PIN Pad comes with ground harnesses of multiple lengths. Use the shortest ground harness.
- If the provided M4x6 M/C Combi Pozi ground screw cannot be located, the PIN Pad Ground Harness can be connected to the screw hole (red circle) when the PIN Pad fascia bracket is attached. For more details, refer to Step 5 of the [Installing the UX100 PIN Pad](#) on page 51.

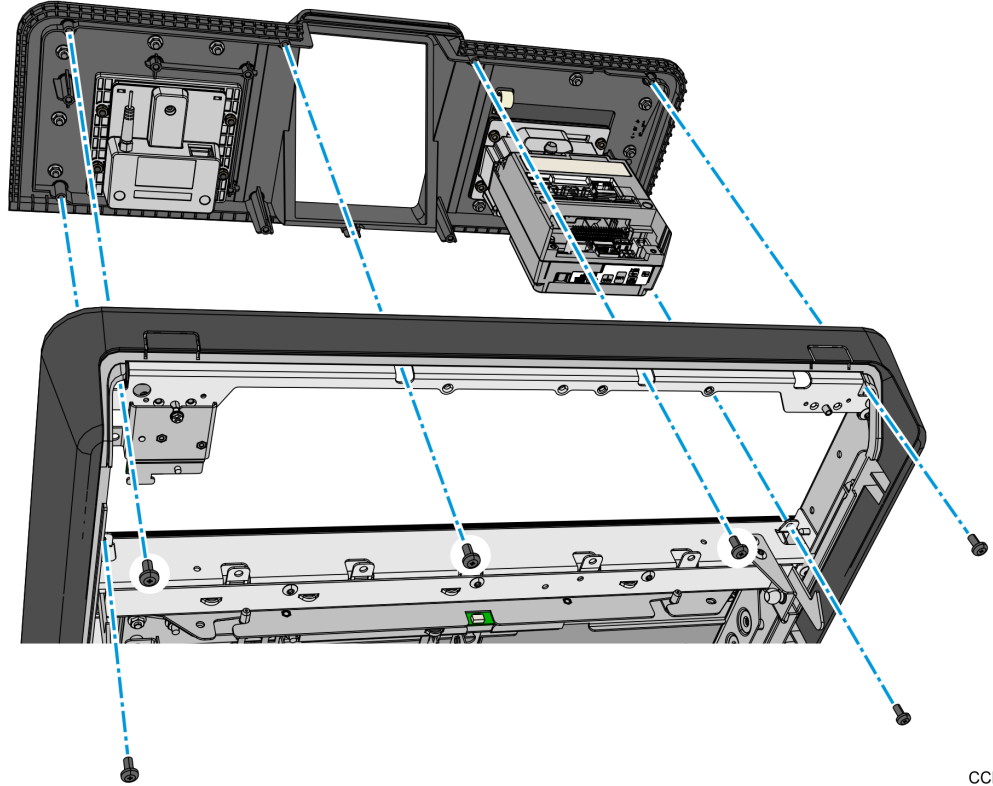


CCP-75914

4. Mount and secure the Fascia Panel assembly to the main kiosk fascia using six M4.2x8 P/Tite PH Pozi screws.

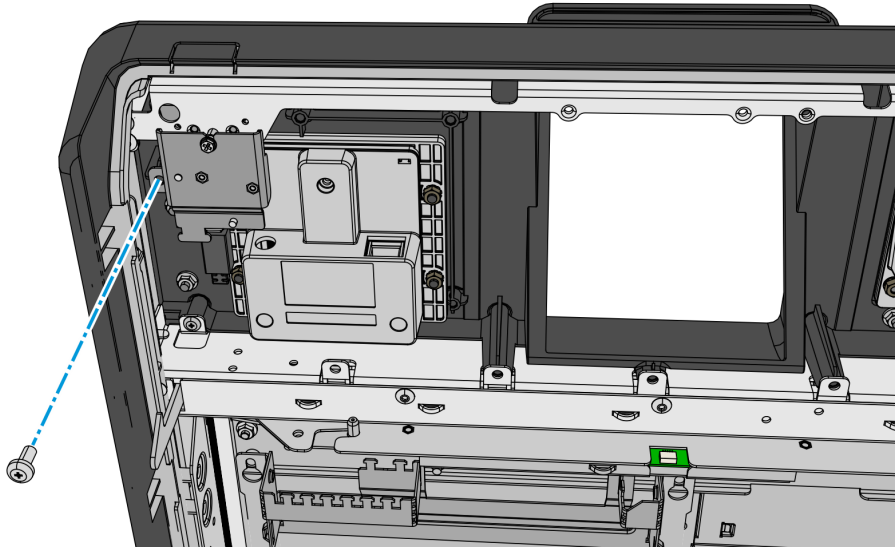


Caution: Do NOT over tighten the plastite screws to avoid stripping the threads of the plastic mounting holes.



CCP-74645

5. Install one M4.2x8 screw to secure the Barcode Reader assembly to the Fascia Panel.



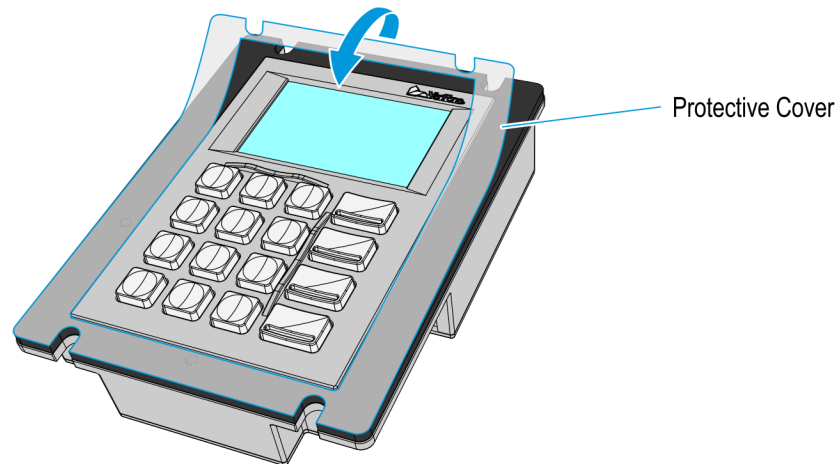
CCP-74646



Note: For the next procedure, refer to [Installation Procedure](#) on page 4.

Installing the UX100 PIN Pad

1. If the UX100 PIN Pad is new, remove the protective cover over its black weather seal.



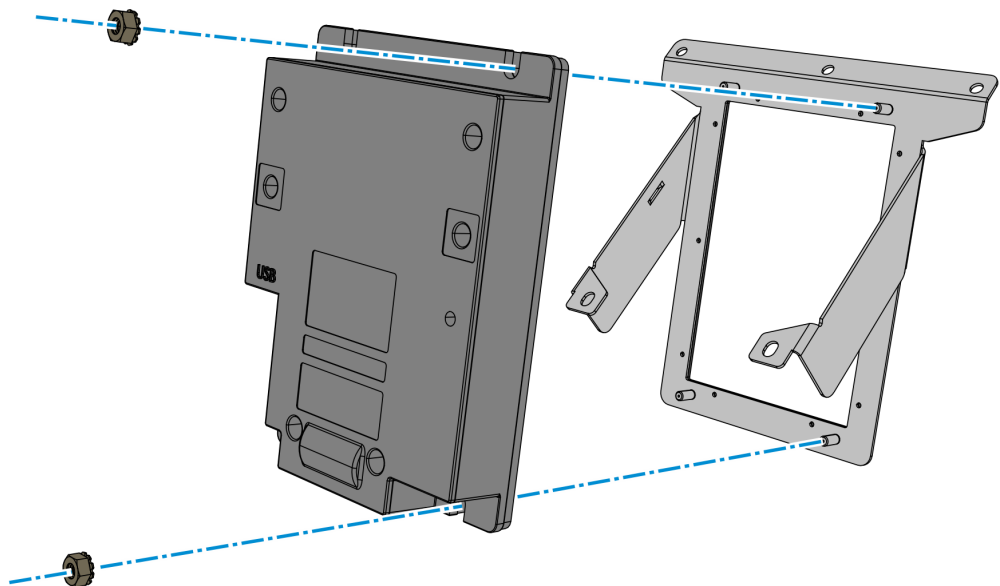
CCP-75660

2. Mount and secure the UX100 PIN Pad to the fascia panel bracket using two M4 keps nuts.



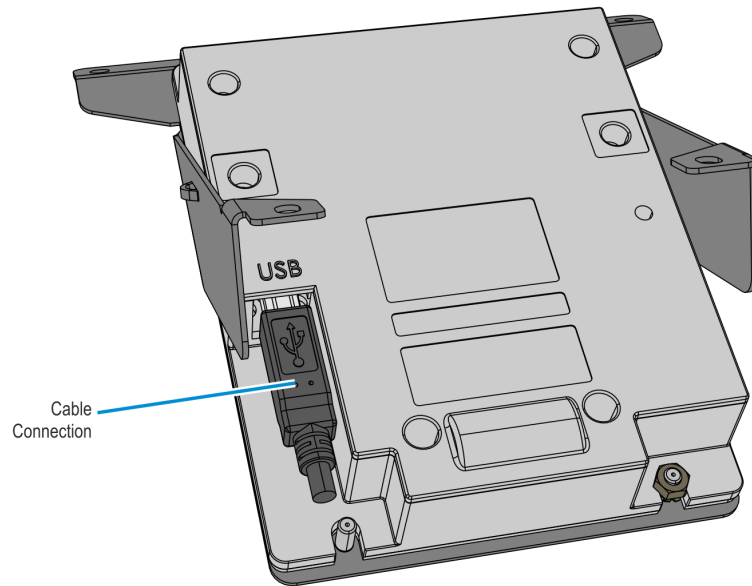
Note: Take note of the following:

- Ensure that the keps nuts are evenly tightened.
- Tighten the nuts up to 7.0 kg-F using a #7mm nut driver torque limiter. The correct tightness of the nuts is important to ensure that the tamper switches of the UX100 PIN Pad are properly depressed.



CCP-74647

3. Connect the UX100 USB cable (497-0441898) to the UX100 PIN Pad.



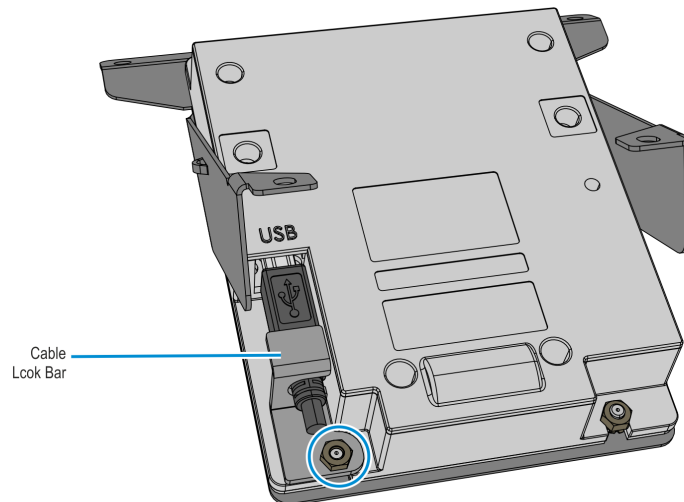
CCP-74648

4. Secure the cable to the PIN Pad using the cable lock bar and a M4 keps nut.



Note: Take note of the following:

- Ensure that the keps nuts are evenly tightened.
- Tighten the nuts up to 7.0 kg-F using a #7mm nut driver torque limiter. The correct tightness of the nuts is important to ensure that the tamper switches of the UX100 PIN Pad are properly depressed.
- The Cable Lock bar shown is not included with the kiosk. It may come with the UX100 PIN Pad and if it does, utilize it as shown below.

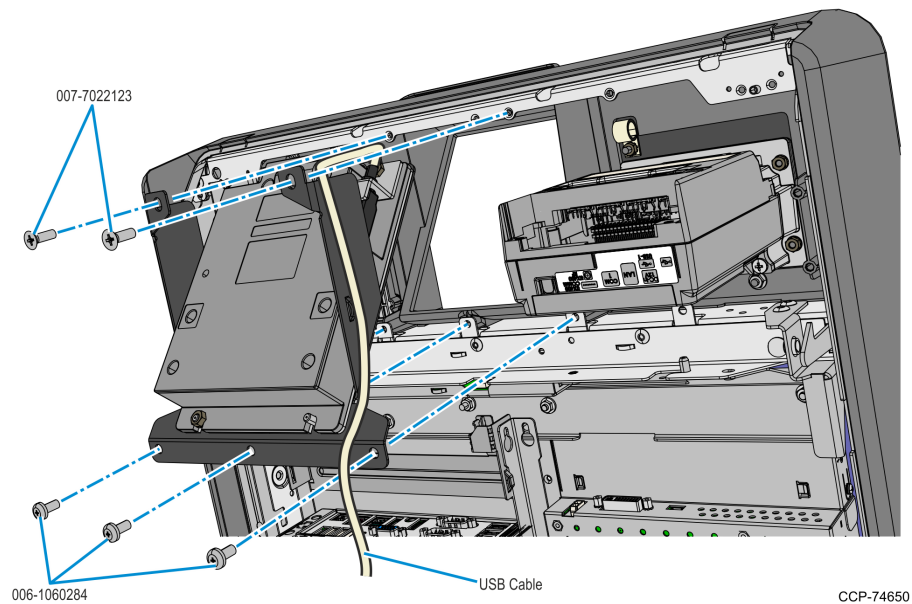


CCP-74649

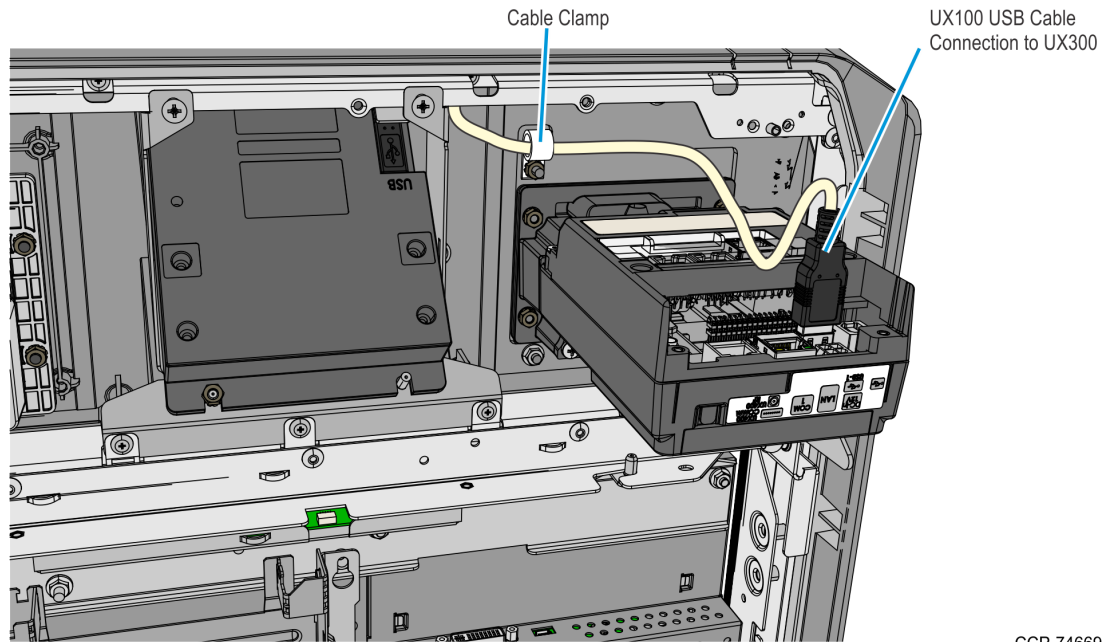
5. Route the USB cable along the right-hand side of the bracket and then mount and secure the PIN Pad assembly to the kiosk Fascia Panel using five screws.
 - Use two M4x12 CSK screws (007-7022123) to secure the PIN Pad assembly to the upper Frame
 - Use three M4.2x8 Plastite screws (006-1060284) to secure the PIN Pad assembly to the lower Frame



Caution: Do NOT over tighten the plastite screws to avoid stripping the threads of the plastic mounting holes.

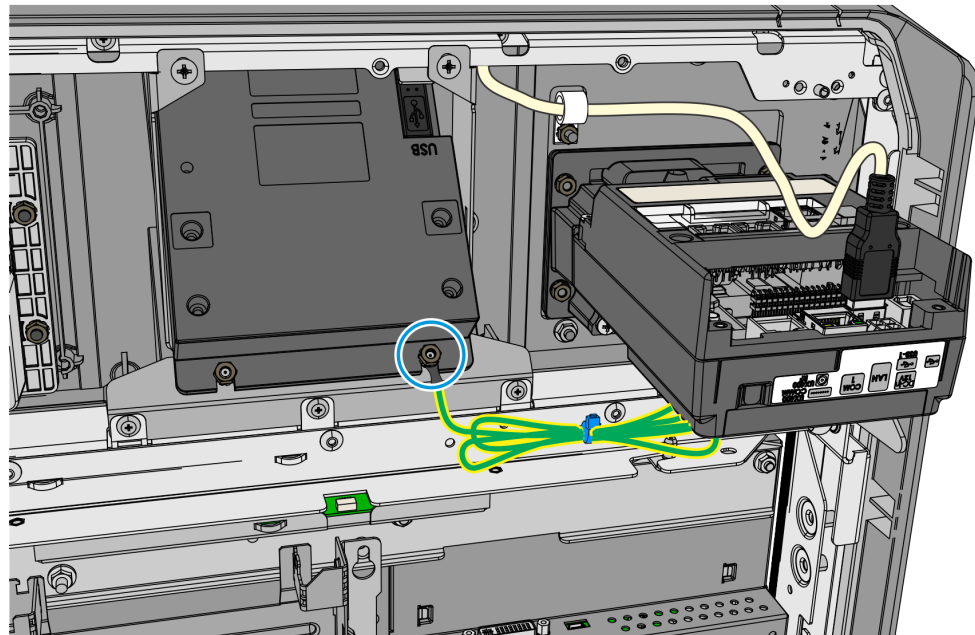


- Route the UX100 USB cable towards the UX300 MSR, securing the cable to the cable clamp on the Fascia Panel, and then connect the cable to the **USB-1** port of the UX300 MSR.



CCP-74669

- Secure the UX100 Ground Harness to the UX100 PIN Pad using an M4 keps nut. Tighten the nut up to 7.0 kg-F using a #7mm nut driver torque limiter.



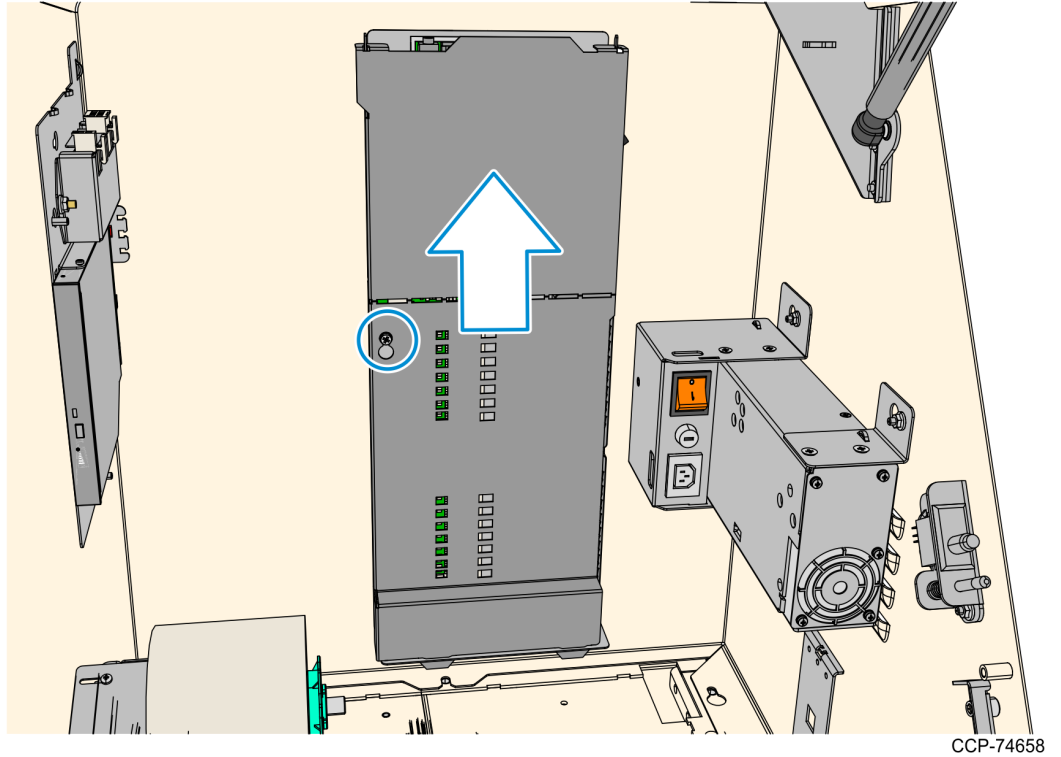
CCP-74668



Note: For the next procedure, refer to [Installation Procedure](#) on page 4.

Removing the I/O Panel Cover

1. In the Top Box, loosen the screw that secures the I/O Panel Cover.
2. Slide the cover upward to unlatch its tabs and hooks from the I/O Panel.



CCP-74658



Note: For the next procedure, refer to [Installation Procedure](#) on page 4.

Connecting and Routing Device Cables

After the UX100 PIN Pad, UX300 MSR, and UX400 NFC Reader have been installed, route and connect the following cables:

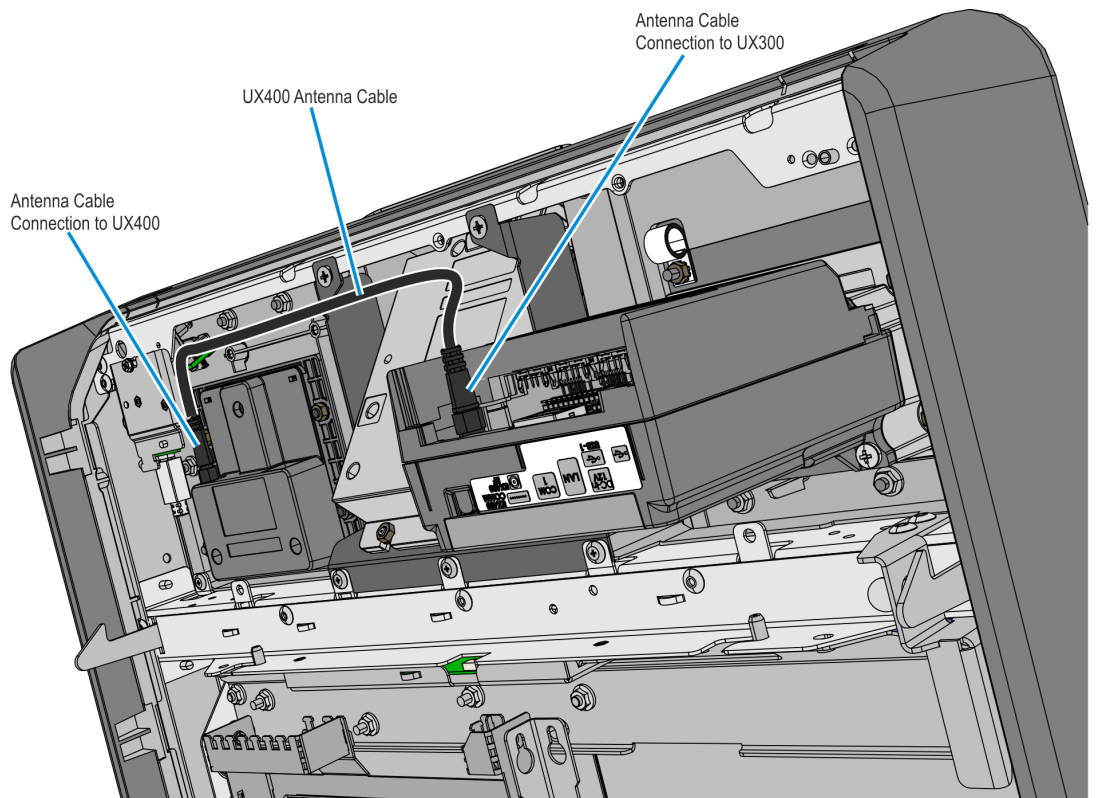
- [UX400 Antenna Cable](#) below (not included in kit, comes with UX400 device)
- [UX400 Comms Cable](#) on the facing page (not included in kit, comes with UX400 device)
- [UX300 USB Cable \(009-0021027\)](#) on page 58
- [UX300 DC Cable \(497-0522036\)](#) on page 60
- [12V Regulator DC Cable \(009-0020734\)](#) on page 62

Refer to the [Interconnection Diagram](#) on page 70 for information on the connections of the UX100 PIN Pad, UX300 MSR, and UX400 NFC Reader to the kiosk.

UX400 Antenna Cable

The Antenna Cable is not included in this kit, it comes together with the UX400 device.

1. Connect one end of the cable to the UX400.
2. Connect the other end of the cable to the **UX400 RF** port of the UX300 MSR.



CCP-75735

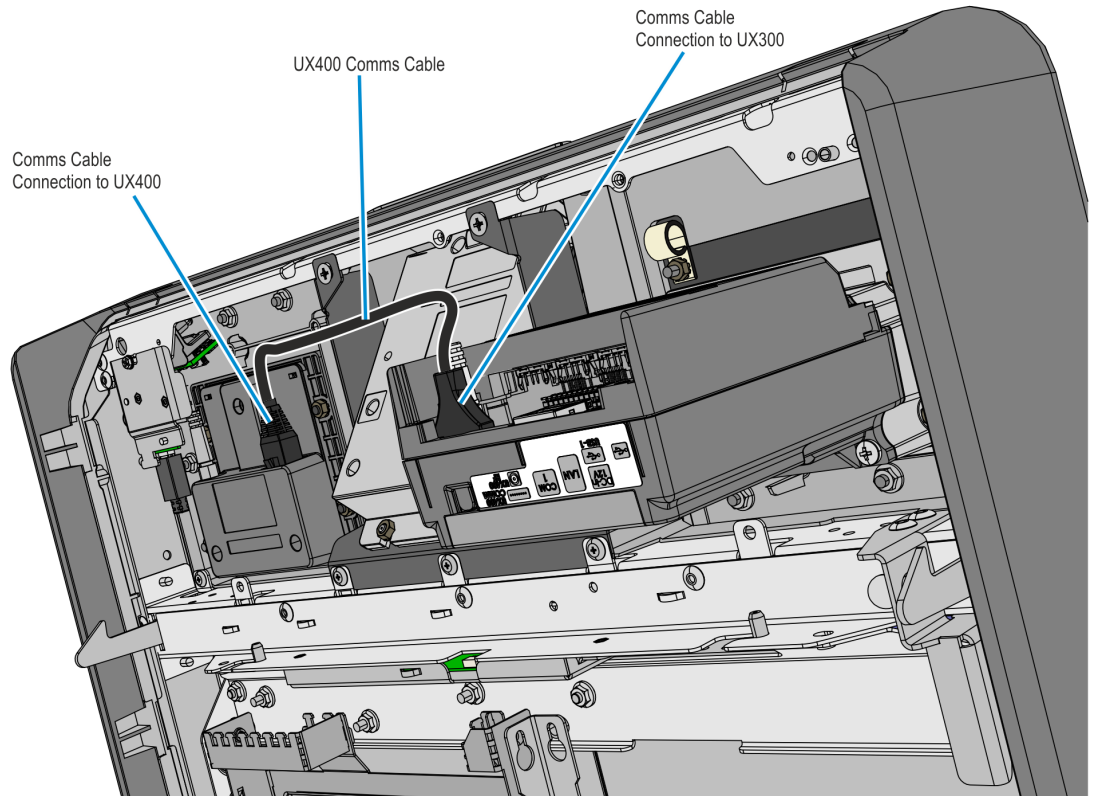


Note: The UX400 Antenna cable needs to be bundled together with the UX400 Comms cable.

UX400 Comms Cable

The Comms Cable is not included in this kit, it comes together with the UX400 device.

1. Connect the RJ45 connector of the cable to the UX400.
2. Connect the other end of the cable to the **UX400 Comm** port of the UX300 MSR.



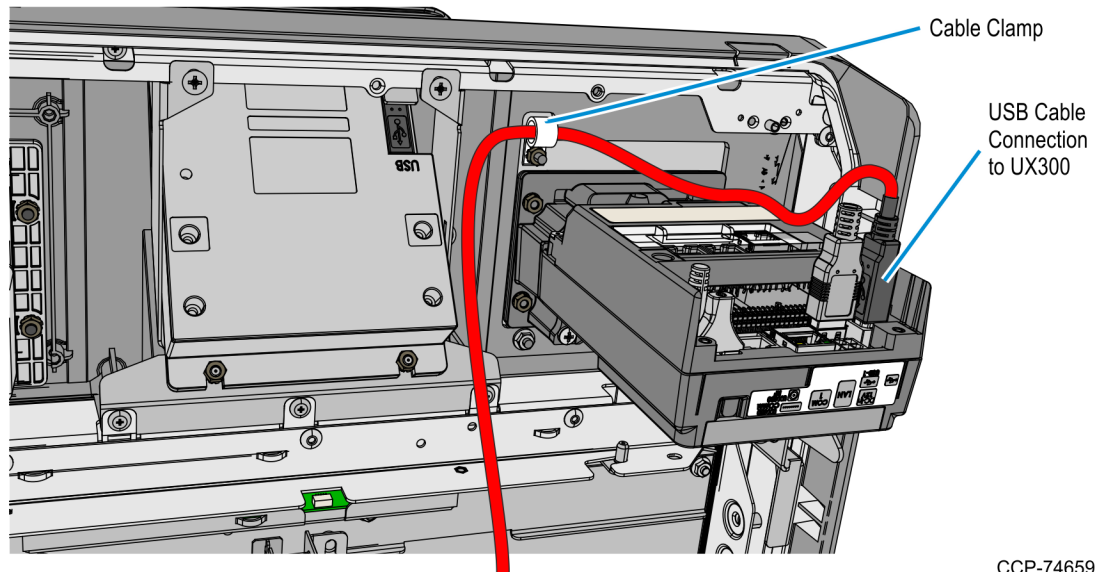
CCP-75734



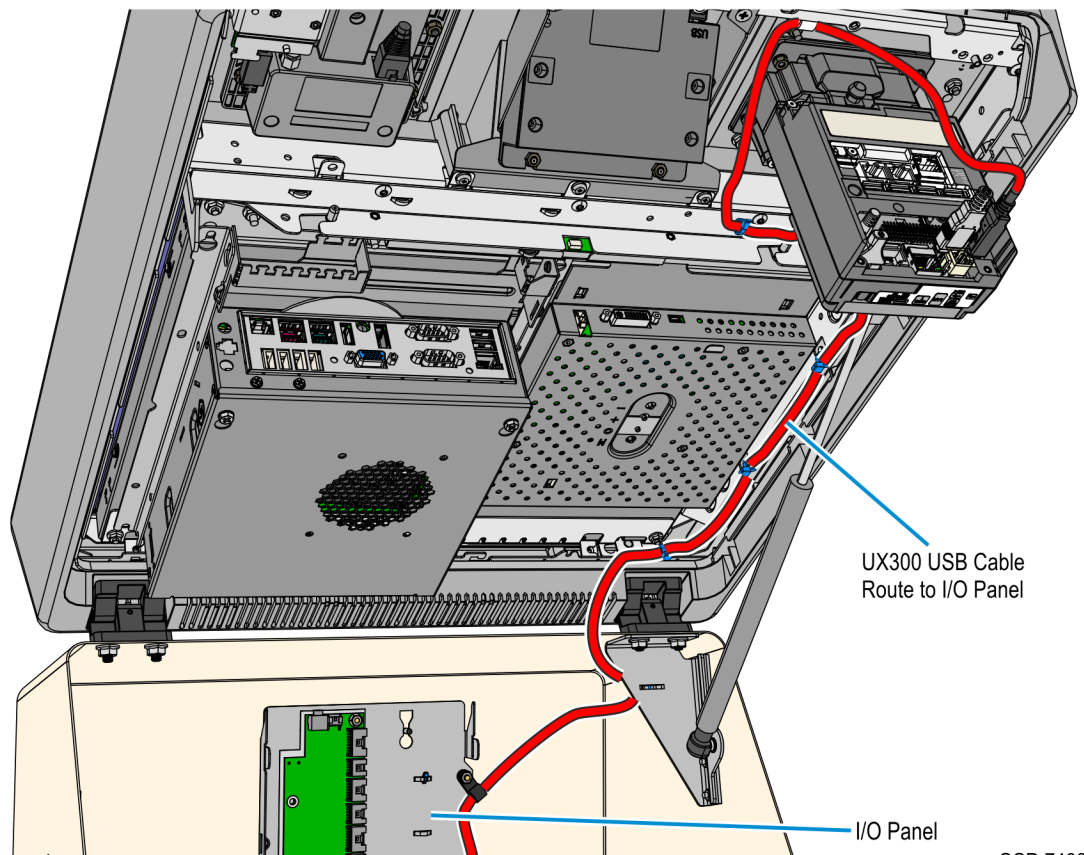
Note: The UX400 Comms cable needs to be bundled together with the UX400 Antenna cable.

UX300 USB Cable (009-0021027)

1. Connect and route the UX300 USB cable. Connect the USB B connector of the cable to the UX300 MSR and secure the cable to the cable clamp on the Fascia Panel.



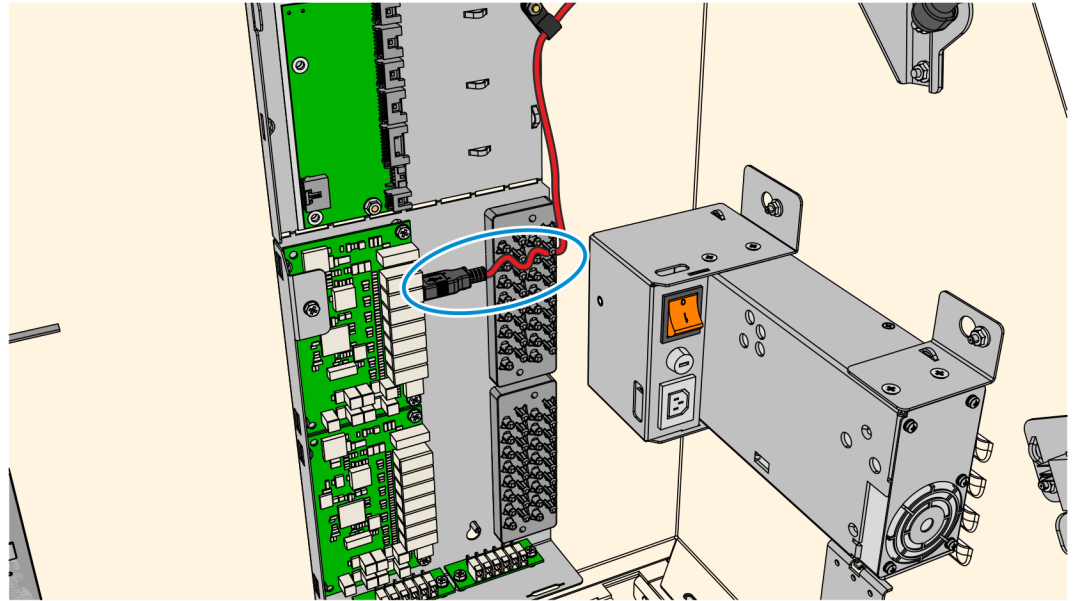
2. Route the cable along the main fascia cable bundle towards the I/O Panel. Secure the cable together with the main fascia cable bundle using cable ties as necessary.



3. Connect the UX300 USB cable to a free USB Hub port in the I/O Panel. If there are two USB Hubs in the I/O Panel, connect the cable to a free port on the upper USB Hub as shown below.



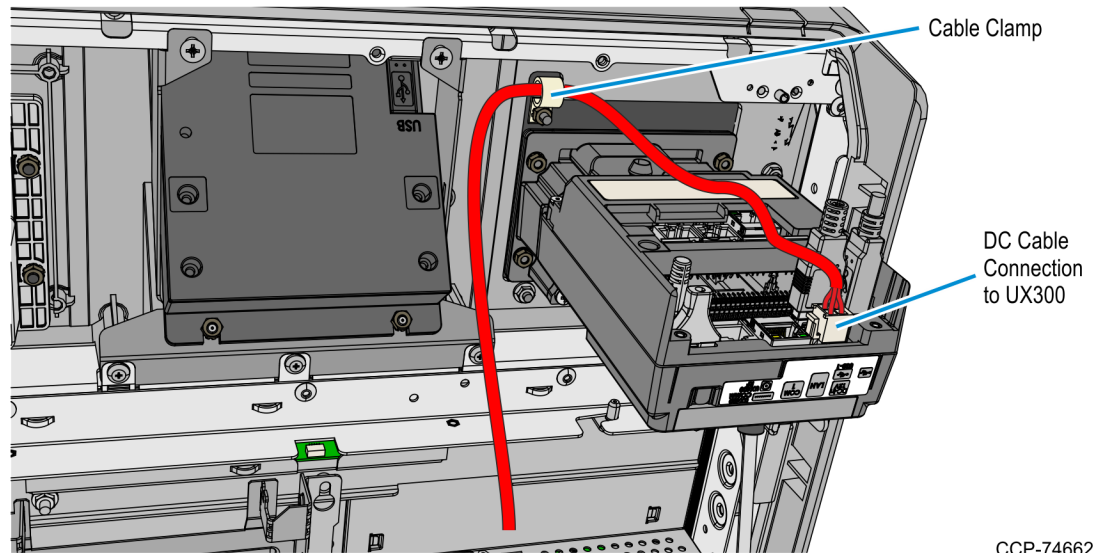
Note: Some configurations only have a single USB Hub.



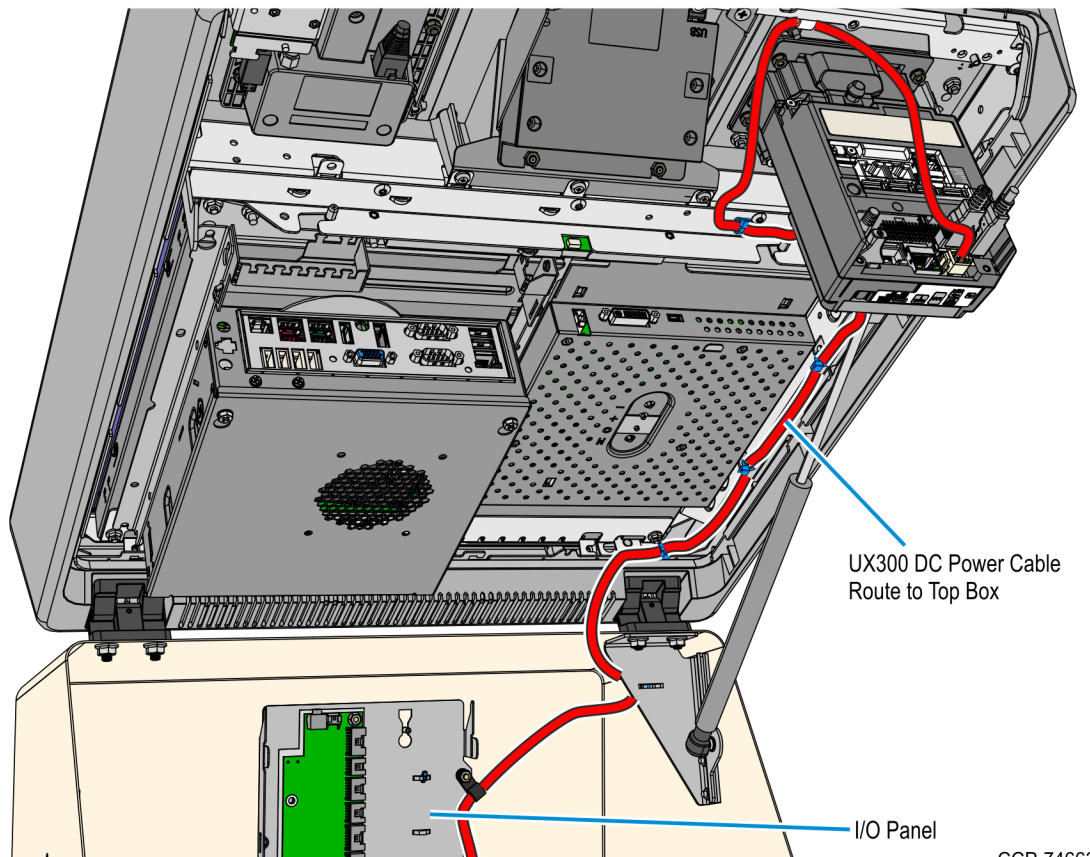
CCP-74661

UX300 DC Cable (497-0522036)

1. Connect one connector of the cable to the UX300 MSR 12V DC IN port and secure the cable using the cable clamp on the Fascia Panel.



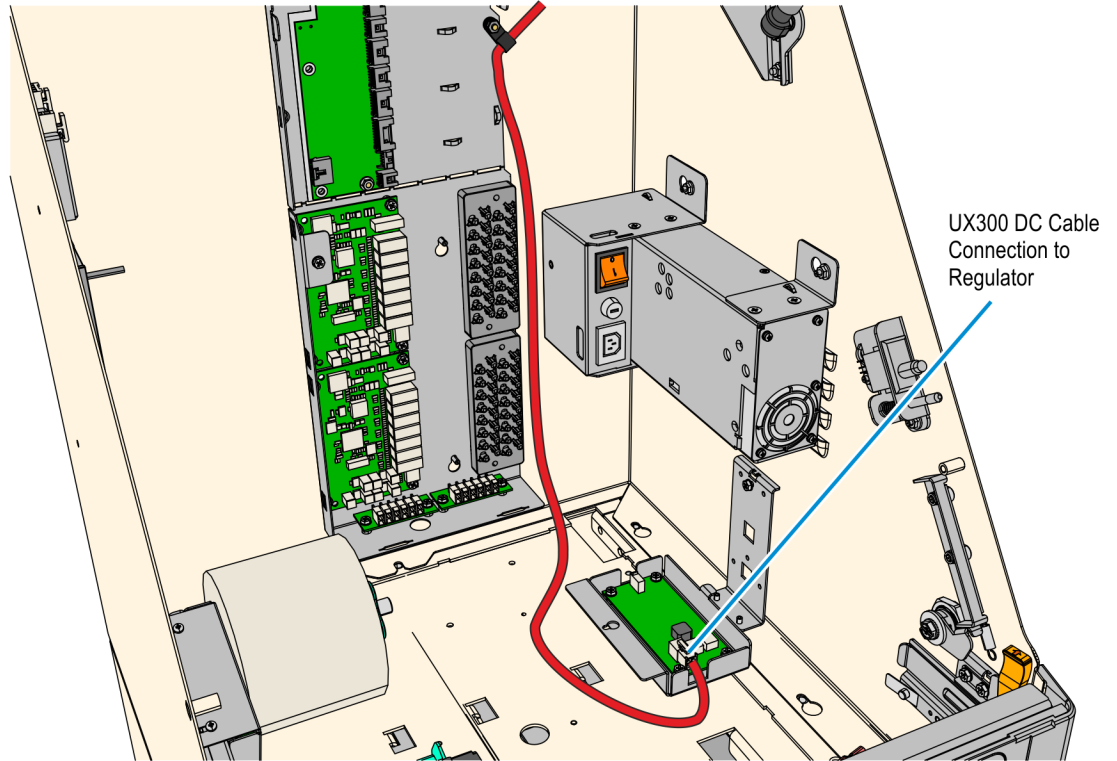
2. Route the cable along the main fascia cable bundle towards the Top Box. Secure the cable together with the main fascia cable bundle using cable ties as necessary.



3. In the Top Box, place the 12V DC Regulator assembly and connect the DC cable to the regulator.



Note: If the kiosk previously contained a Sankyo MSR or a UX300 MSR in the Kiosk Front Panel, then the 12V DC Regulator may already be present in the kiosk.



CCP-74664



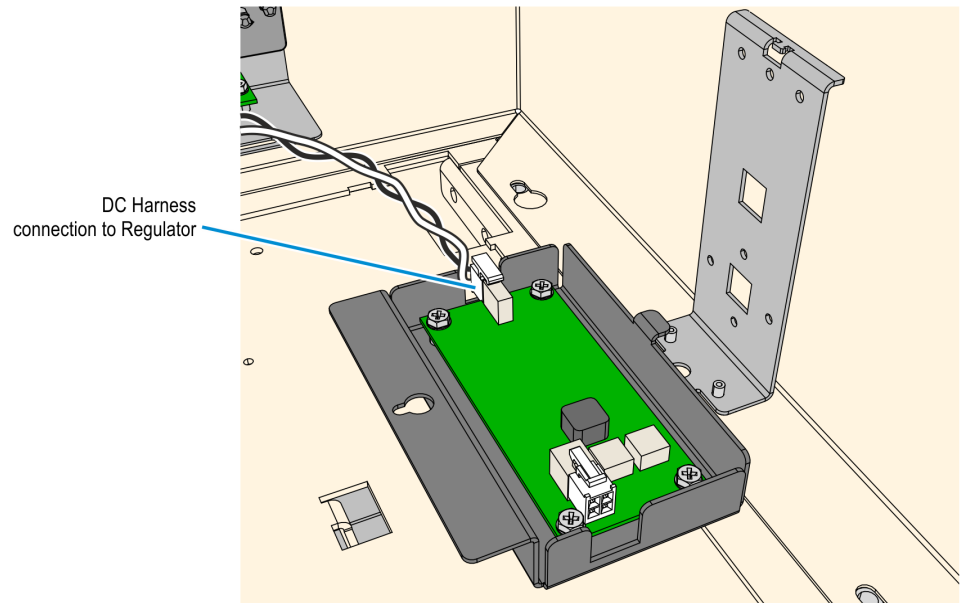
Note: For the next procedure, refer to [Installation Procedure](#) on page 4.

12V Regulator DC Cable (009-0020734)

1. Connect one end of the DC cable to the 12V Regulator.

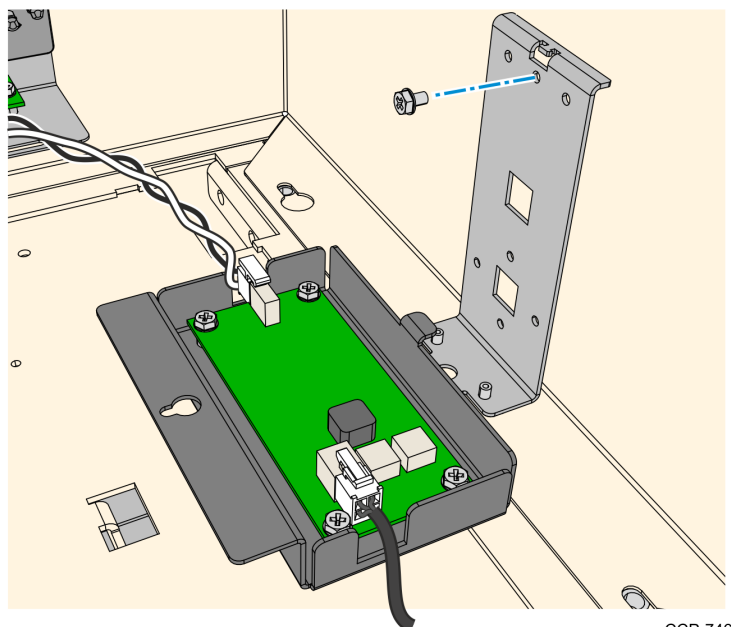


Note: If the kiosk previously contained a Sankyo MSR or UX300 MSR in the Kiosk Front Panel, then this cable is already installed.



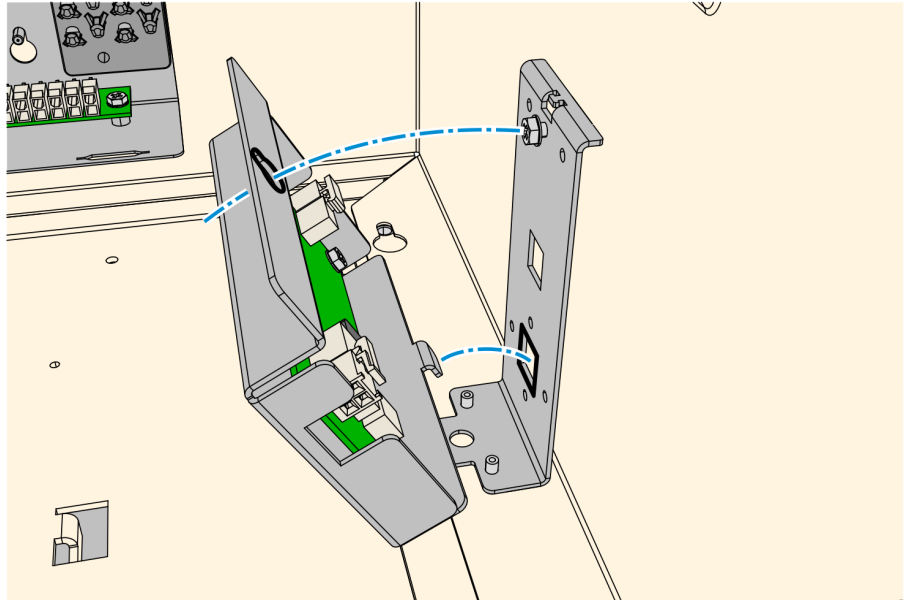
CCP-74655

2. Mount and secure the 12V Regulator assembly to the kiosk.
 - a. Mount and partially tighten one M4 thread forming screw to the regulator bracket on the Top Box.



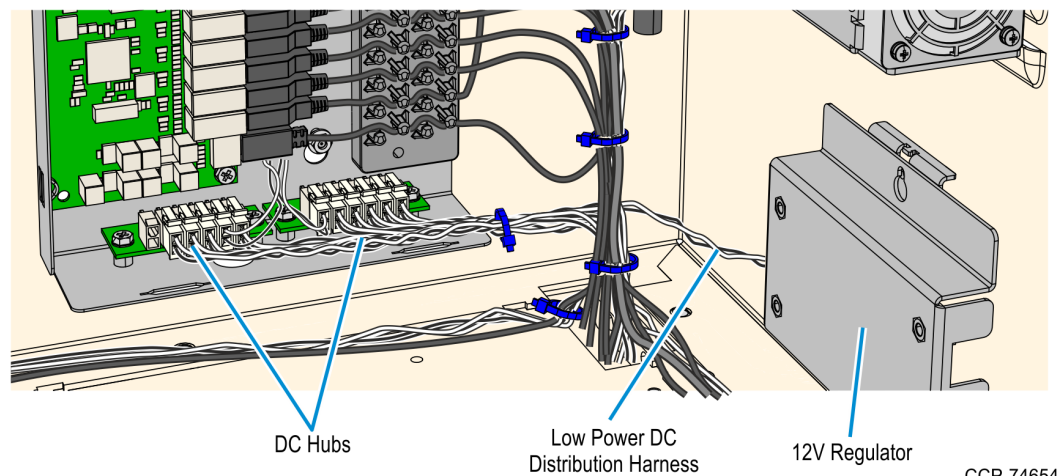
CCP-74656

- b. Insert the tab on the bottom side of the cover through the bottom slot on the regulator bracket.
- c. Insert the Keyhole Slot on the cover through the M4 screw on the regulator bracket.



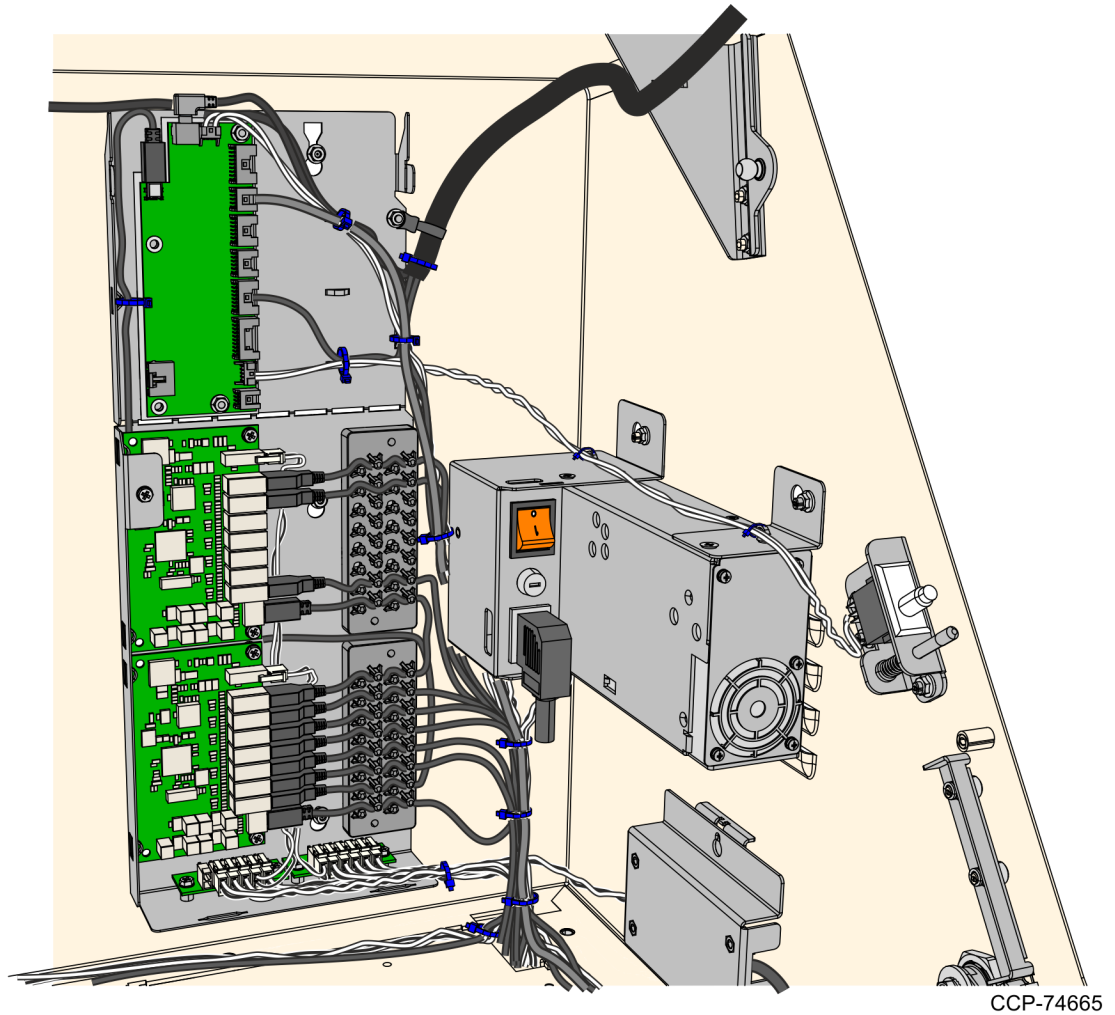
CCP-74657

- d. Tighten the screw to secure the 12V Regulator assembly.
3. Connect the other end of the DC Distribution harness to a free DC Hub port in the I/O Panel. Secure the cable with other DC cables as necessary.



CCP-74654

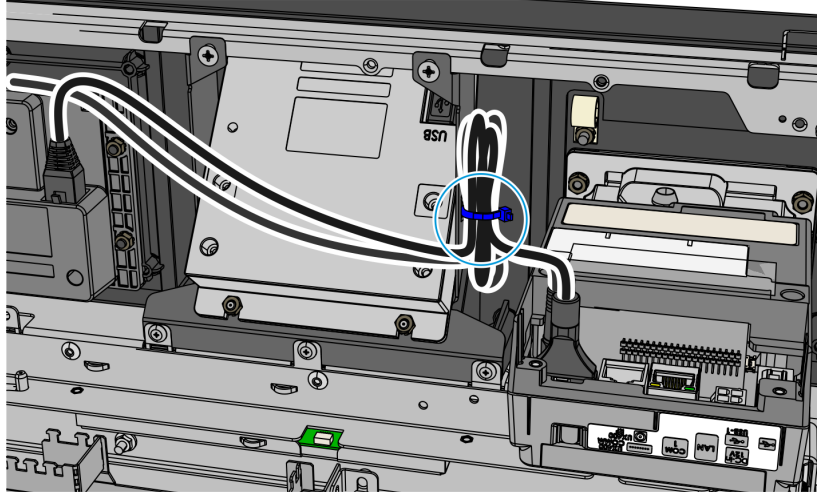
4. Tidy up and secure the cables near in the I/O Panel and Top Box as necessary as shown below.



Note: For the next procedure, refer to [Installation Procedure](#) on page 4.

Securing the USB, Power, and Antenna Cables

1. Bundle the UX400 Antenna and Comms cables together and secure the bundle to the fascia frames using cable ties.



CCP-75662

2. Double-check if all cables are neatly bundled and secure by cable ties or cable clamps. Pay close attention to cables that are connected to the UX100 PIN Pad and the UX300 MSR.



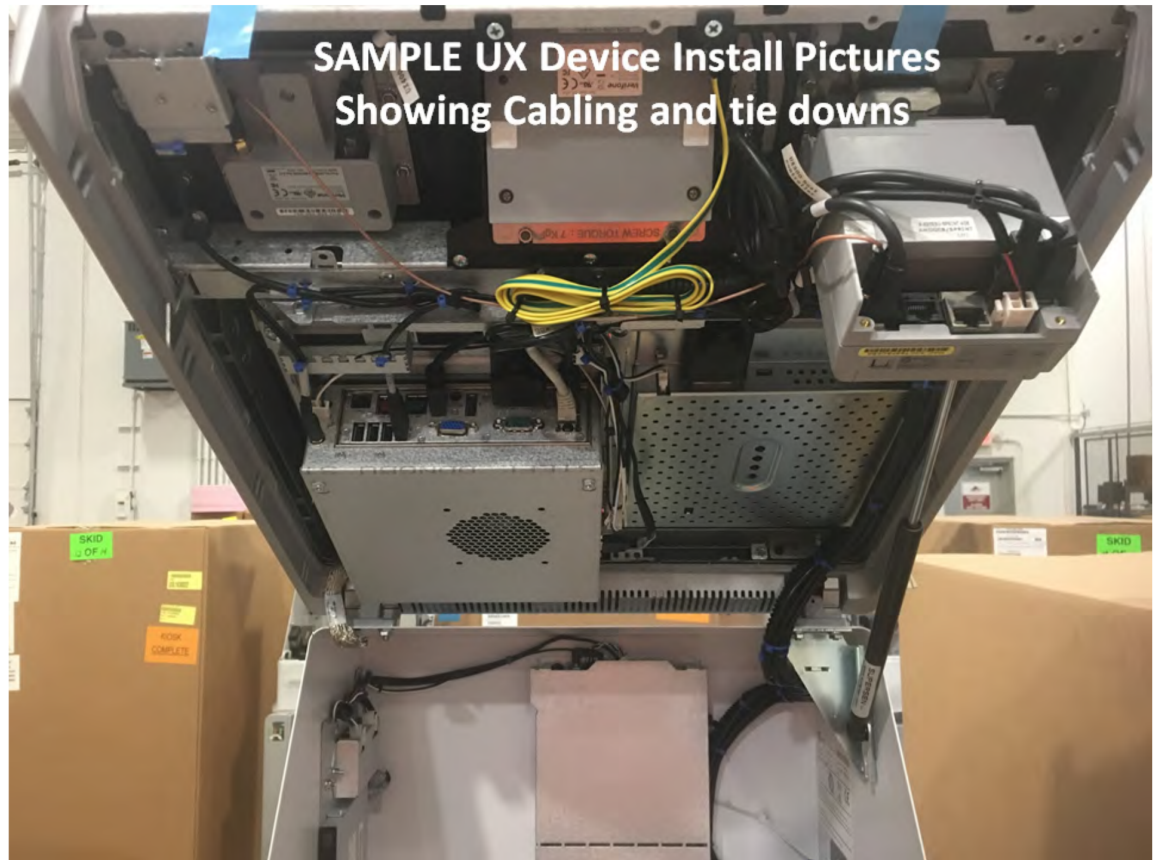
Note: For sample cabling and tie downs of UX cables, see the images on the following page.



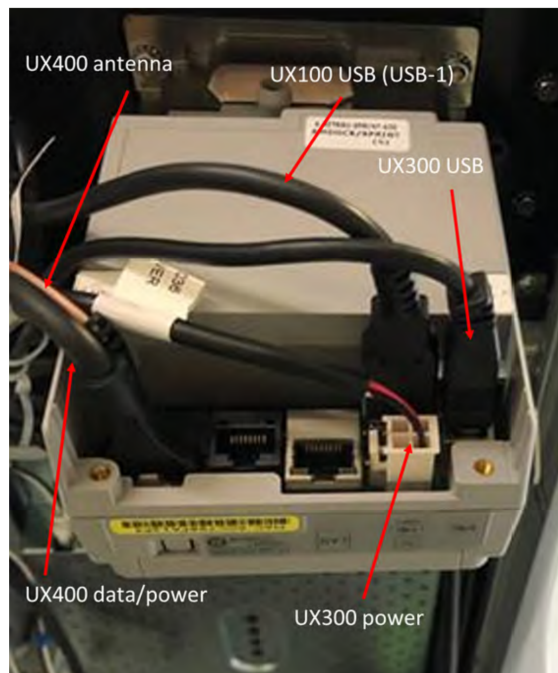
Caution: Ensure that the Antenna and Comms cables do not interfere when opening or closing the upper enclosure fascia.



Note: For the next procedure, refer to [Installation Procedure](#) on page 4.



CCP-75915



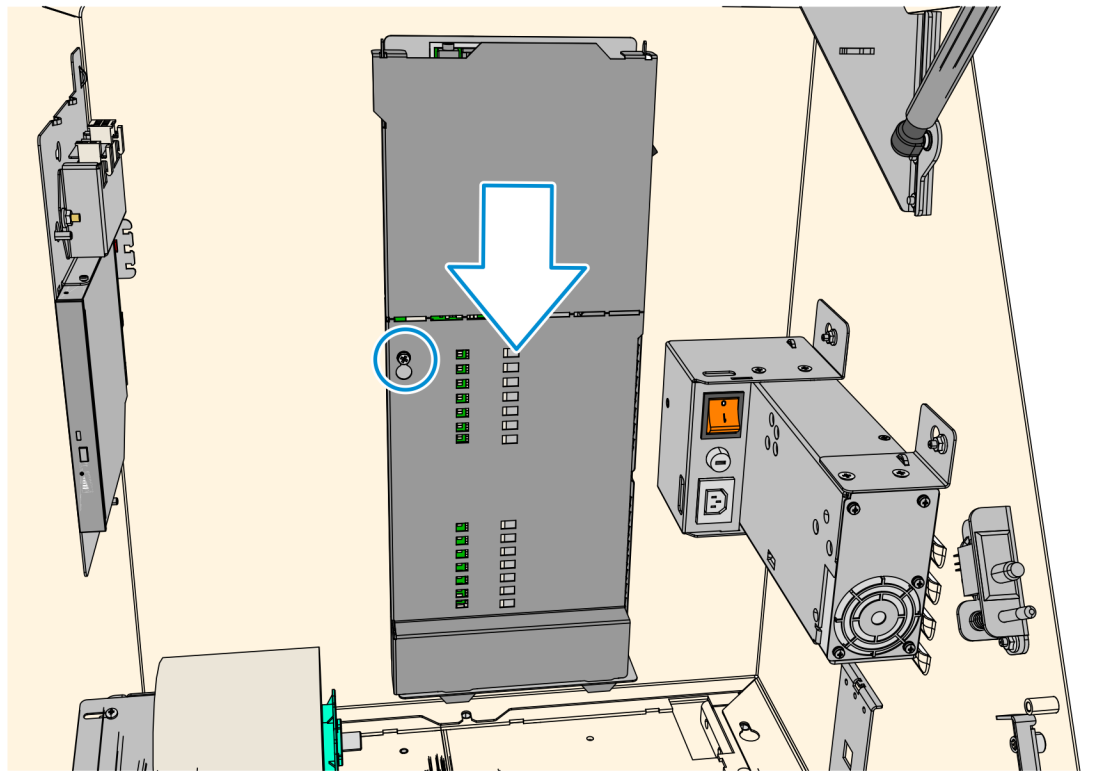
CCP-75916



CCP-75917

Installing the I/O Panel Cover

1. At the bottom part of the I/O Panel, align the tabs on the cover to the slot of the I/O Panel.
2. At the top part, of the I/O assembly, align the slots of the cover to the tabs on the I/O Panel.
3. Carefully slide the cover downwards inserting the tabs to the slots and mounting screw through the cover keyhole slot. Make sure that the cables are not pinched or snagged by the cover.
4. Tighten the screw to secure the cover to the panel.



CCP-74666



Note: For the next procedure, refer to [Installation Procedure](#) on page 4.

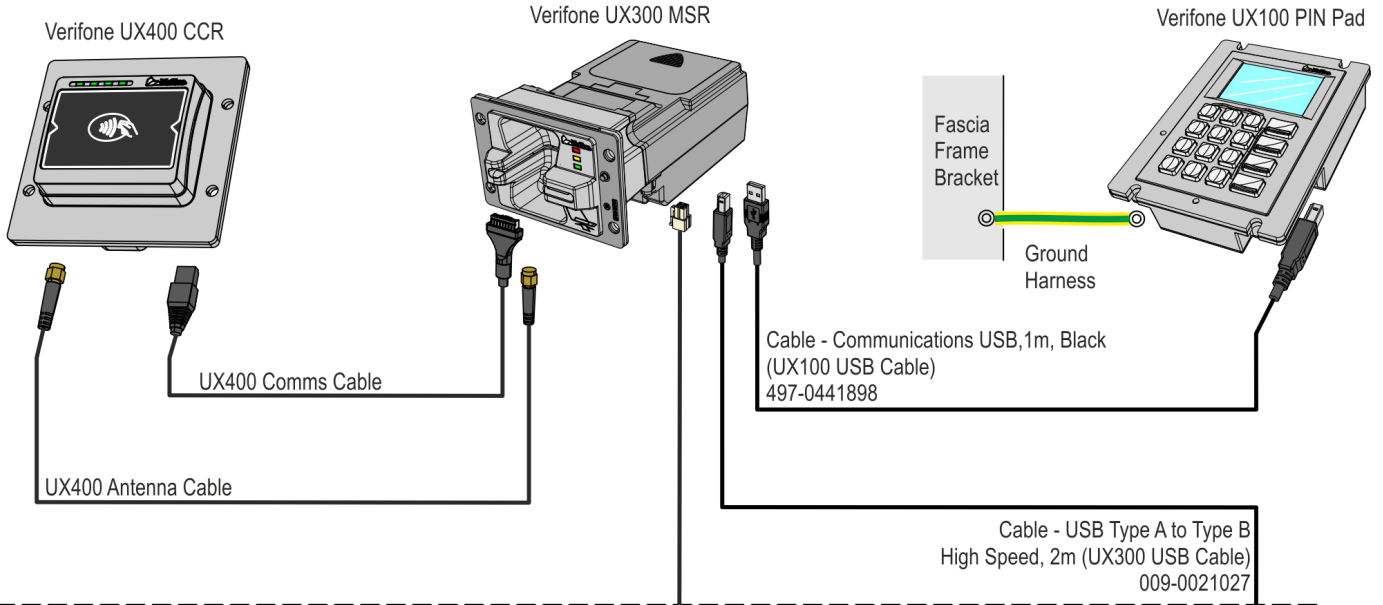
Validating Installation of Verifone UX Devices

To validate installation of Verifone devices, follow the procedures depending on your specific implementation.

Interconnection Diagram

The illustration below shows the UX100 PIN Pad, UX300 MSR, and UX400 NFC Reader connection diagram to the NCR SelfServ 75 (7705) Kiosk.

FASCIA



TOP BOX

