

KIT INSTRUCTIONS

Verifone UX100 and UX300 Devices



7705-K046
Issue A



The product described in this book is a licensed product of NCR Corporation.

NCR is a registered trademark of NCR Corporation. NCR SelfServ™ is a trademark of NCR Corporation in the United States and/or other countries. Other product names mentioned in this publication may be trademarks or registered trademarks of their respective companies and are hereby acknowledged.

The terms HDMI and HDMI High-Definition Multimedia Interface, and the HDMI Logo are trademarks or registered trademarks of HDMI Licensing LLC in the United States and other countries.

Where creation of derivative works, modifications or copies of this NCR copyrighted documentation is permitted under the terms and conditions of an agreement you have with NCR, NCR's copyright notice must be included.

It is the policy of NCR Corporation (NCR) to improve products as new technology, components, software, and firmware become available. NCR, therefore, reserves the right to change specifications without prior notice.

All features, functions, and operations described herein may not be marketed by NCR in all parts of the world. In some instances, photographs are of equipment prototypes. Therefore, before using this document, consult with your NCR representative or NCR office for information that is applicable and current.

To maintain the quality of our publications, we need your comments on the accuracy, clarity, organization, and value of this book. Please use the link below to send your comments.

EMail: FD230036@ncr.com

Copyright © 2017
By NCR Corporation
Duluth, GA U.S.A.
All Rights Reserved

Revision Record

Issue	Date	Remarks
A	March 2017	First Issue

Verifone UX100 and UX300 Devices

Introduction

This kit provides a Verifone UX100 PIN Pad with Ground Harness and a Verifone UX300 MSR devices.

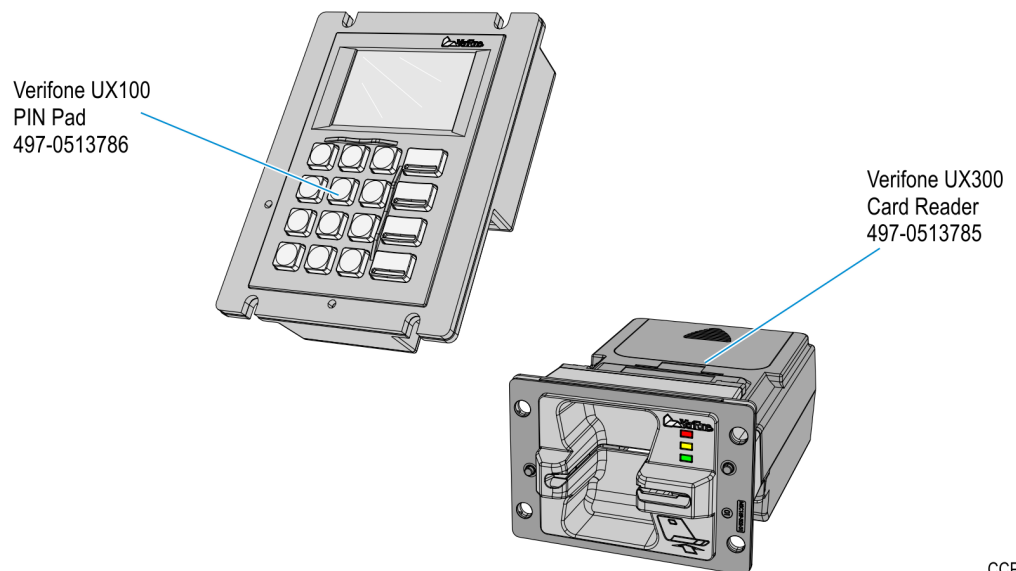


Note: Before installing, the customer needs to configure these with their specific settings.

These devices require one of the following 7705 Kits or Features:

- 7705-K053 - Verifone UX100 and UX 300 Mounting Kit, with Trackball
- 7705-K054 - Verifone UX100 and UX300 Mounting Kit, No Trackball
- 7705-F053 - UX100 and UX300, with Trackball (R1.1.5)
- 7705-F054 - UX100 and UX300 , No Trackball (R1.1.5)

Kit Contents



Installation Procedure



Warning: Disconnect the AC power cord before disassembling the Terminal.



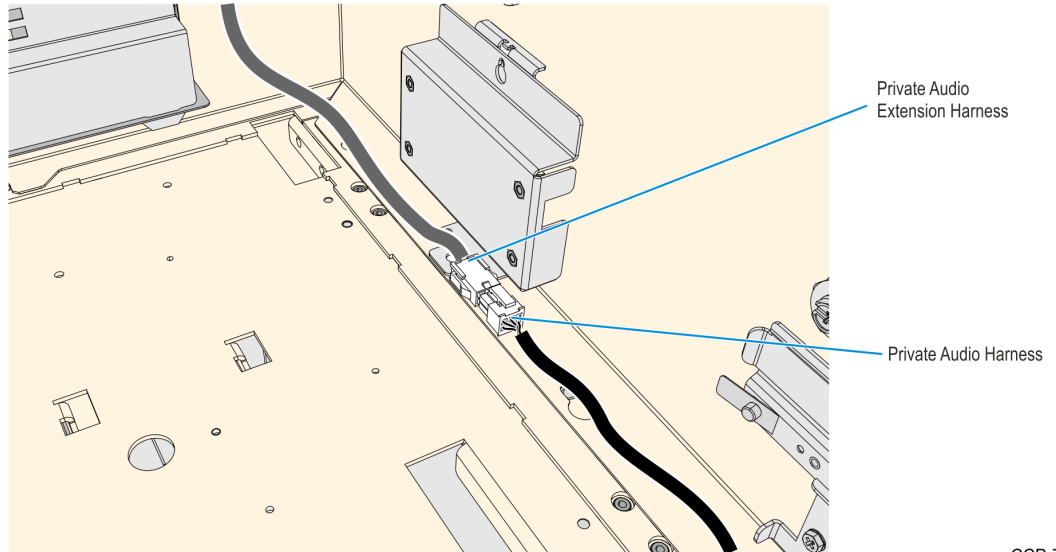
Caution: Static Electricity Discharge may permanently damage your system. Discharge any static electricity build up in your body by touching your computer's case for a few seconds. Avoid any contact with internal parts and handle cards only by their external edges.

To install the Verifone UX100 PIN Pad and UX300 MSR to the NCR Selferv™ 75 (7705) Kiosk, perform the following steps:

1. Shut down the Software Application and Operating System.
2. Power down the Kiosk and unplug the power cord.
3. Remove the Front Panel, see the [Removing the Front Panel](#) section.
4. Install the Verifone UX300 MSR to the Front Panel, see the [Installing the Verifone UX300 MSR](#) section.
5. Mount and Install the Front Panel Assembly to the Kiosk, see the [Installing the Front Panel](#) section.
6. Install the UX100 PIN Pad, see the [Installing the Verifone UX100 PIN Pad](#) section.
7. Route the MSR and PIN Pad Cables and secure them to the Kiosk, see the [Routing the PIN Pad and MSR Cables](#) section. For information on the connections of the MSR and PIN Pad to the 7705 Kiosk, see the [Interconnection Diagram](#) section.

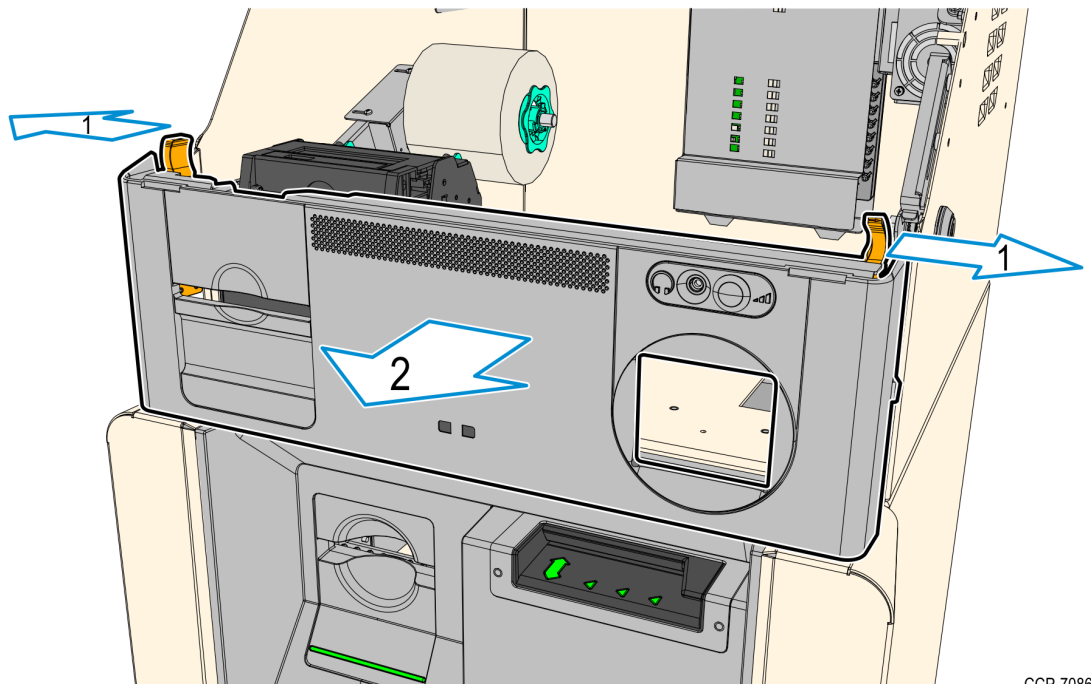
Removing the Front Panel

1. Inside the top box, disconnect the Private Audio Cable from the Private Audio Extension Cable.



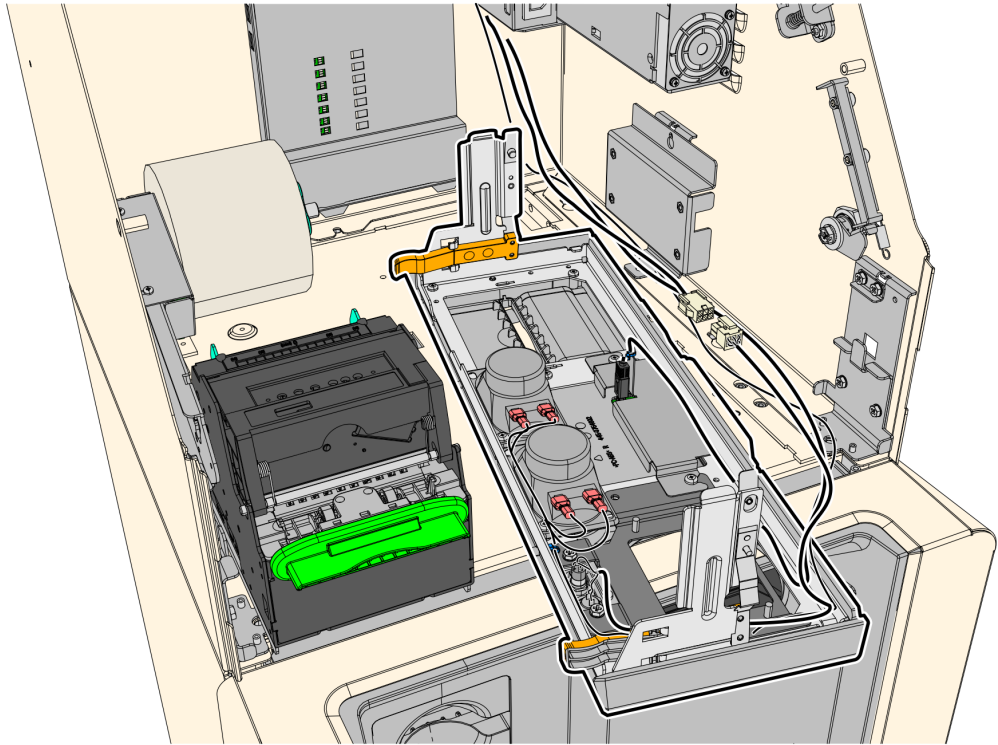
CCP-70869

2. Slide out the Front Panel from the Kiosk. Push the two orange latches outwards and pull the Front Panel towards you until it is out from the Kiosk..



CCP-70862

- Carefully place the Front Panel assembly face down on the Top Box. Note that the Speaker Harness and Proximity Detector USB Cable are still secured to the Front Panel.

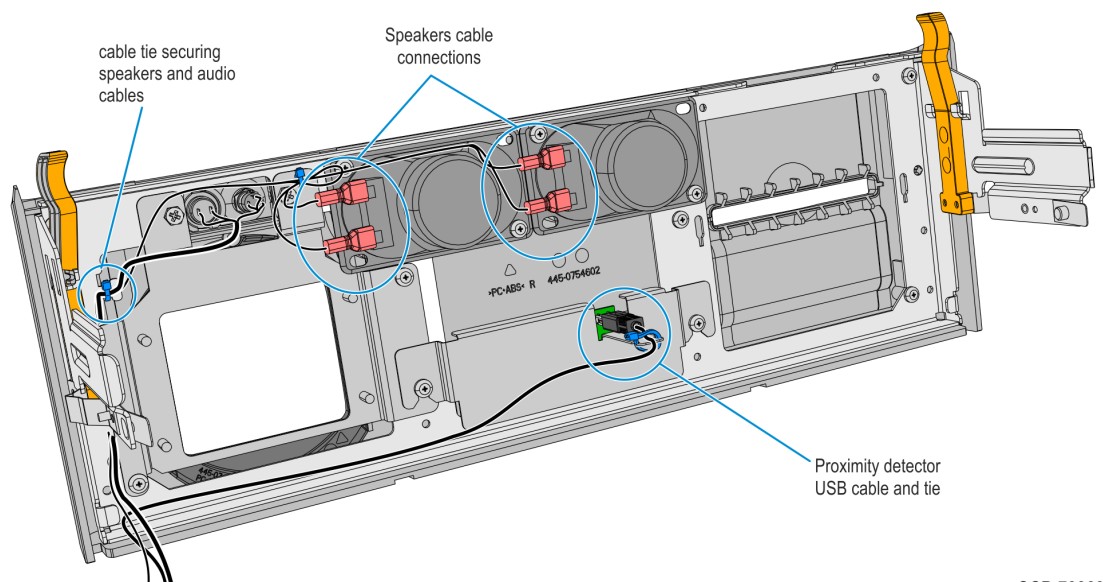


CCP-70868

- Take note of the routing and disconnect the Speaker Harness and Proximity Detector USB Cable, cut off the cable ties securing them to the panel.

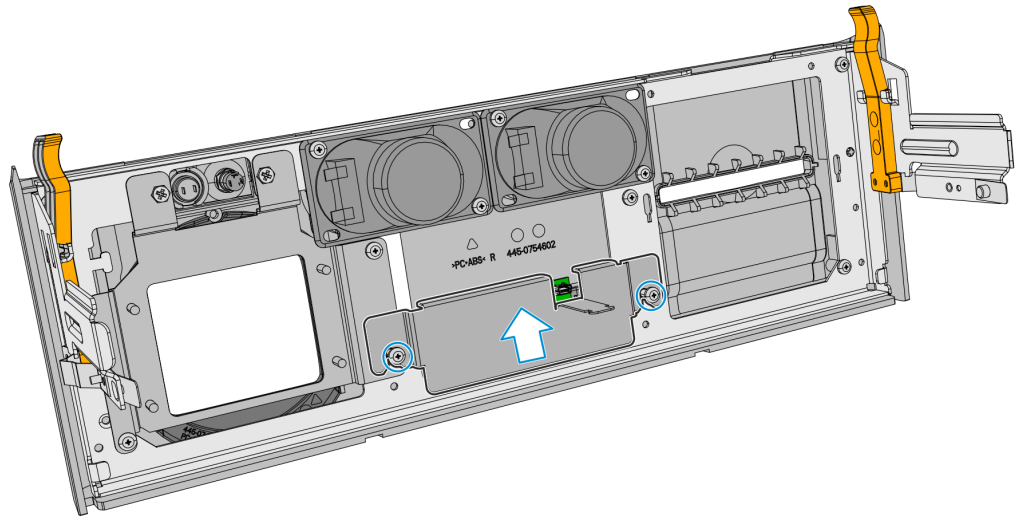


Note: Keep the cables safe and secured in the Top Box while working on the Front Panel.



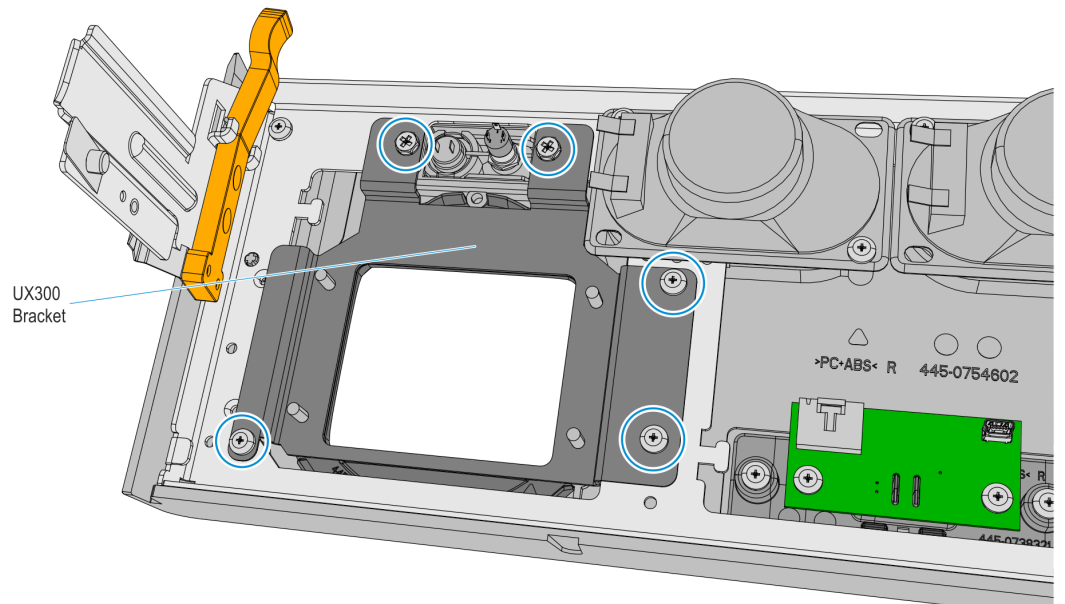
CCP-70863

5. Loosen the screws (2) securing the Proximity Detector Cover then remove the cover from the Front Panel.



CCP-70864

6. Remove the screws (5) securing the Verifone SCR710 MTG Bracket (UX300 Bracket) to the Front Panel.

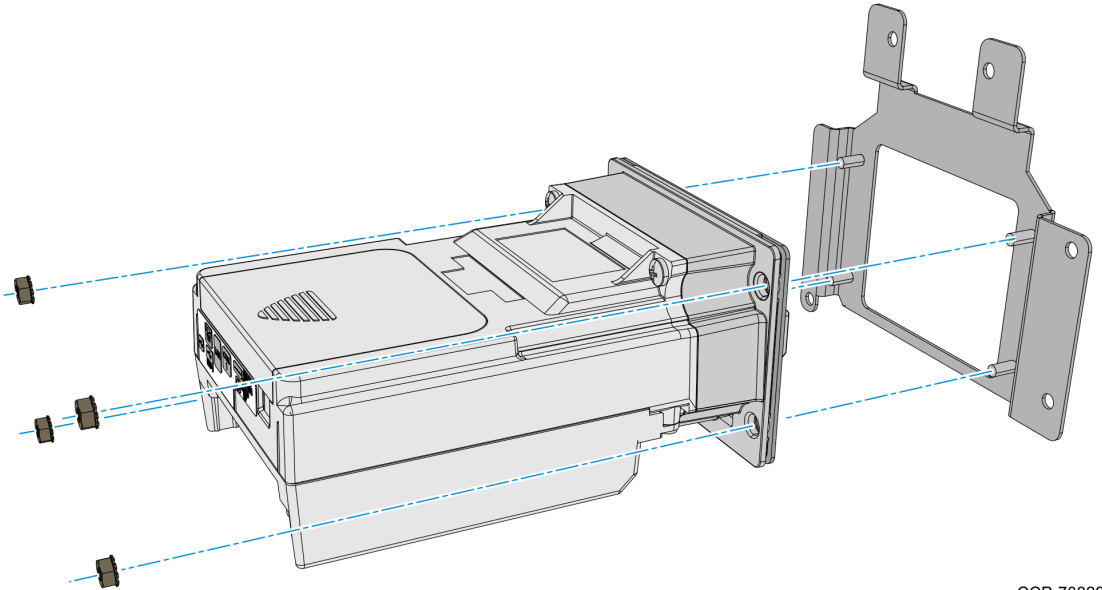


CCP-70865

7. Remove the UX300 Bracket from the Front Panel.

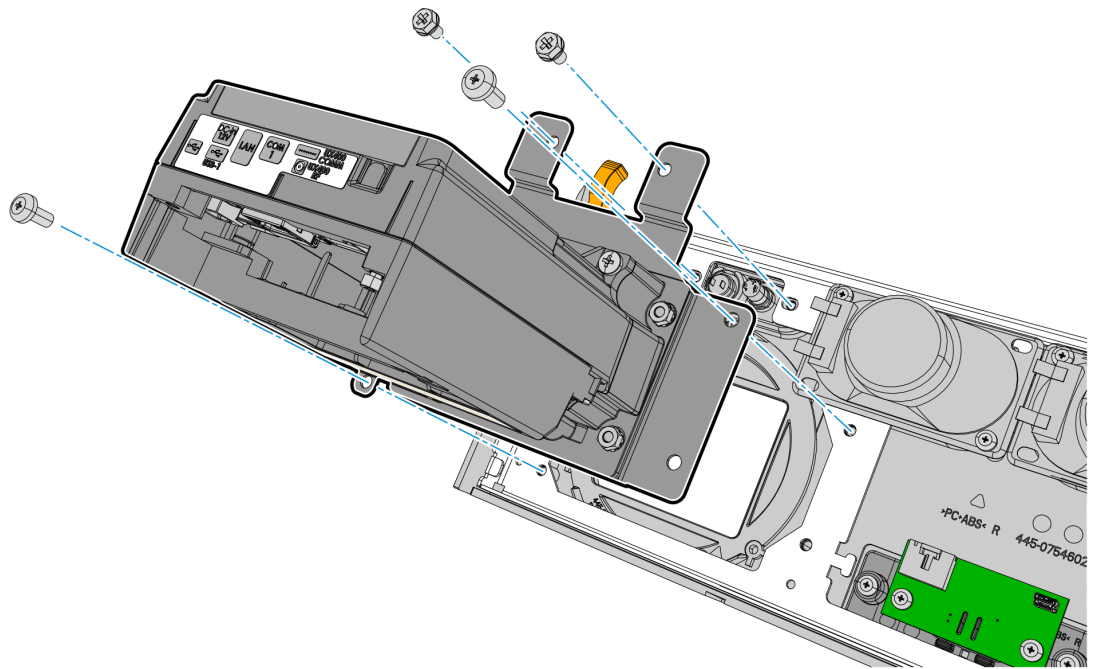
Installing the Verifone UX300 MSR

1. Mount and secure the Verifone UX300 MSR to the Verifone SCR710 MTG bracket with nuts (4).



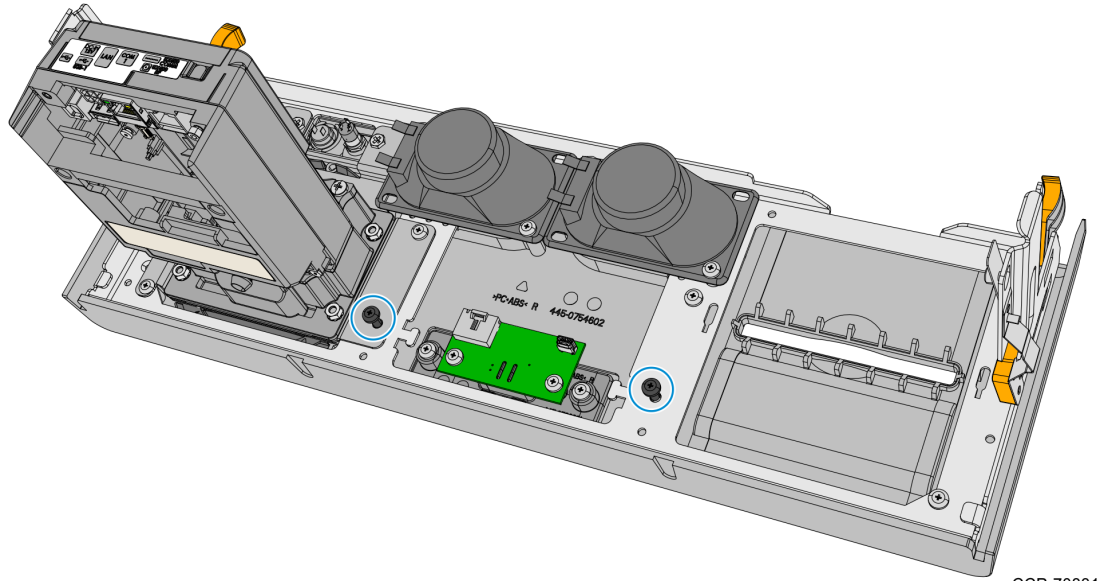
CCP-70829

2. Mount and secure the UX300 MSR and bracket assembly to the Front Panel with screws (4).



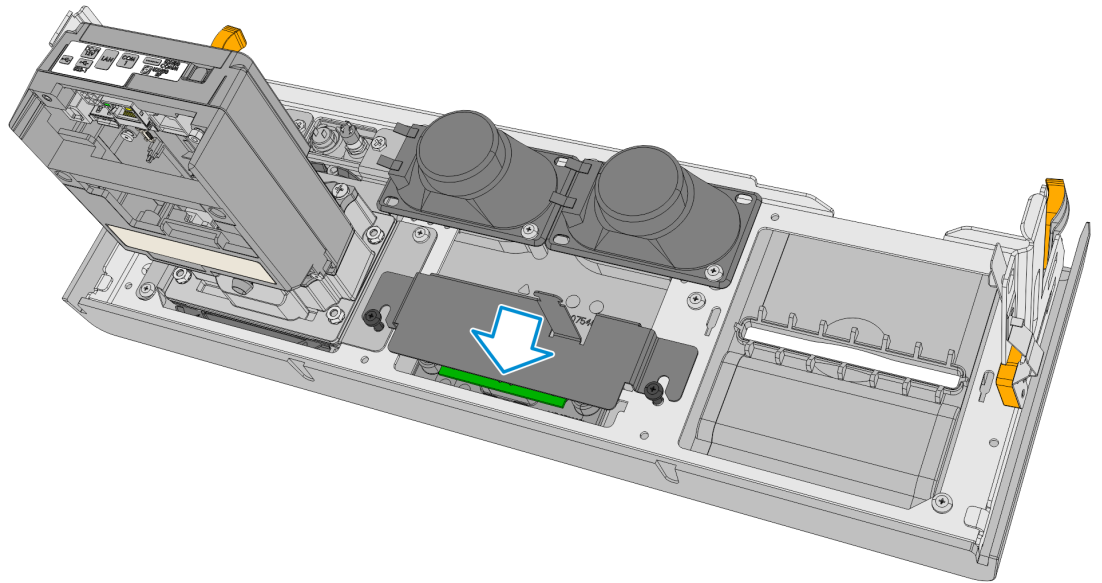
CCP-70830

3. Mount and partially tighten screws (2) for the Proximity Detector Cover.



CCP-70831

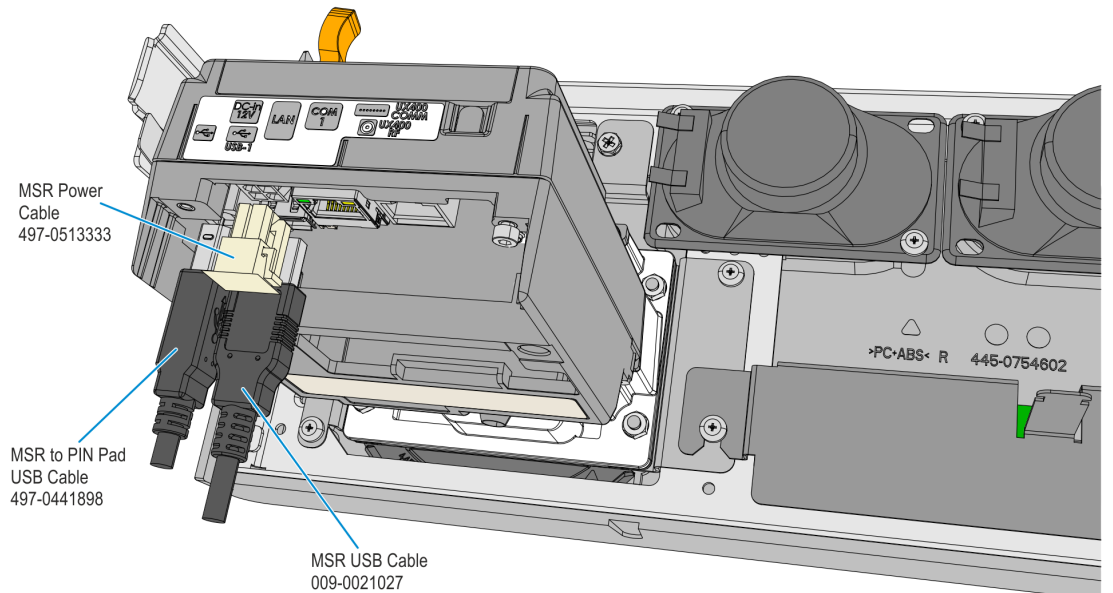
4. Insert and slide the Proximity Detector Cover under the partially tightened screws to mount the cover, then fully tighten the screws (2).



CCP-70832

5. Connect the following cables to the UX300 MSR:

- MSR Power Cable (497-0513333 - Cable-DC Power, 12V Regulator Board to UX300)
- MSR USB Cable (497-0441898 - Cable-Communications USB, 1m, Black)
- MSR to PIN Pad USB Cable (009-0021027 - Cable-USB Type A to Type B High Speed)



CCP-70836

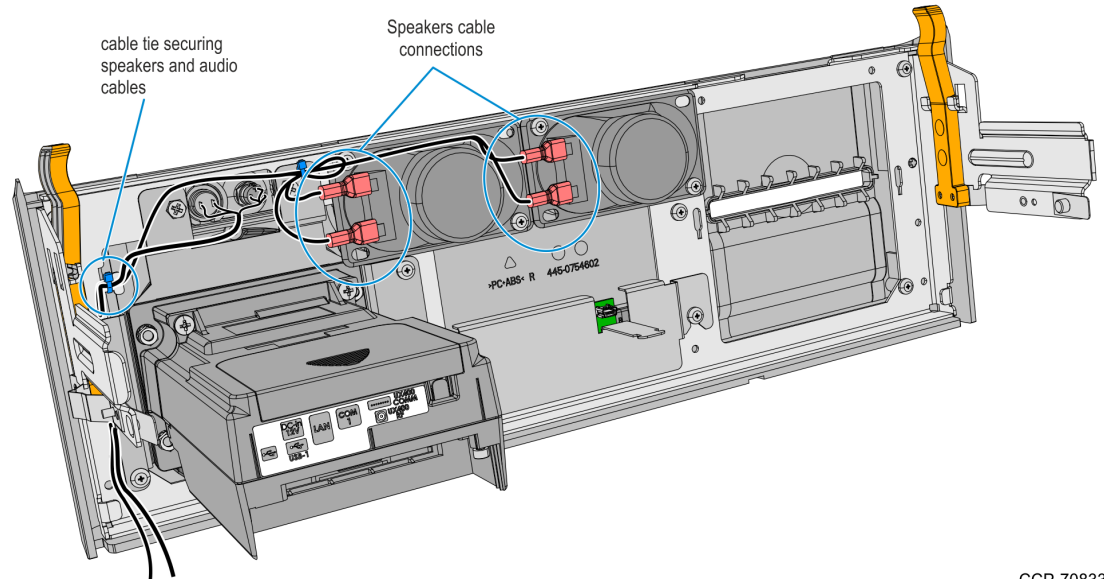
Installing the Front Panel

1. Connect the Speaker Cables to the Speakers.



Note: Make sure that the correct cable wire is connected to the appropriate speaker connection terminal.

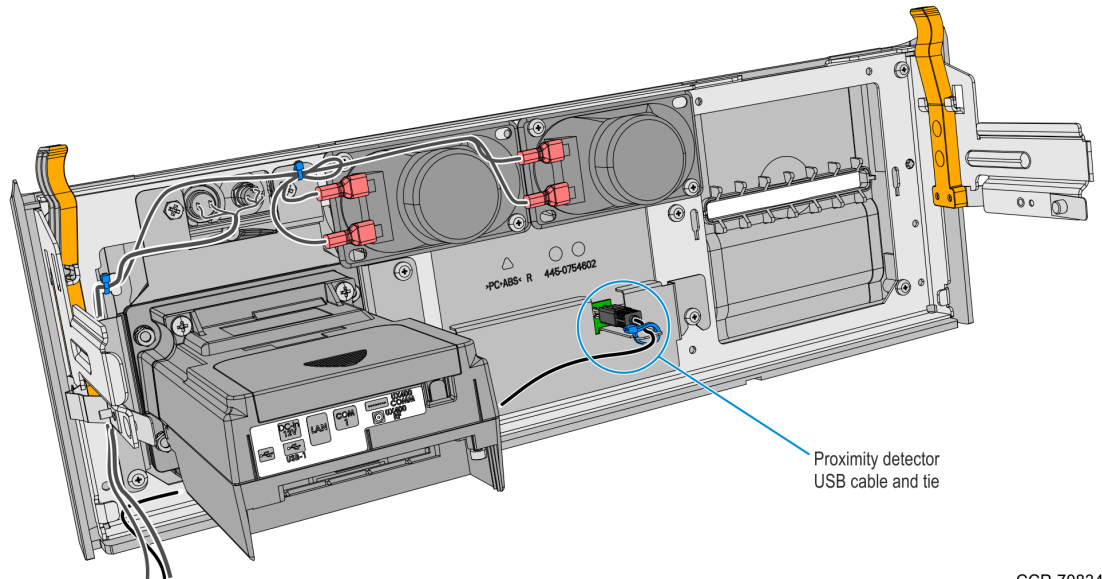
- Connect "-" cable wire to "-" speaker terminal
- Connect "+" cable wire to "+" speaker terminal



CCP-70833

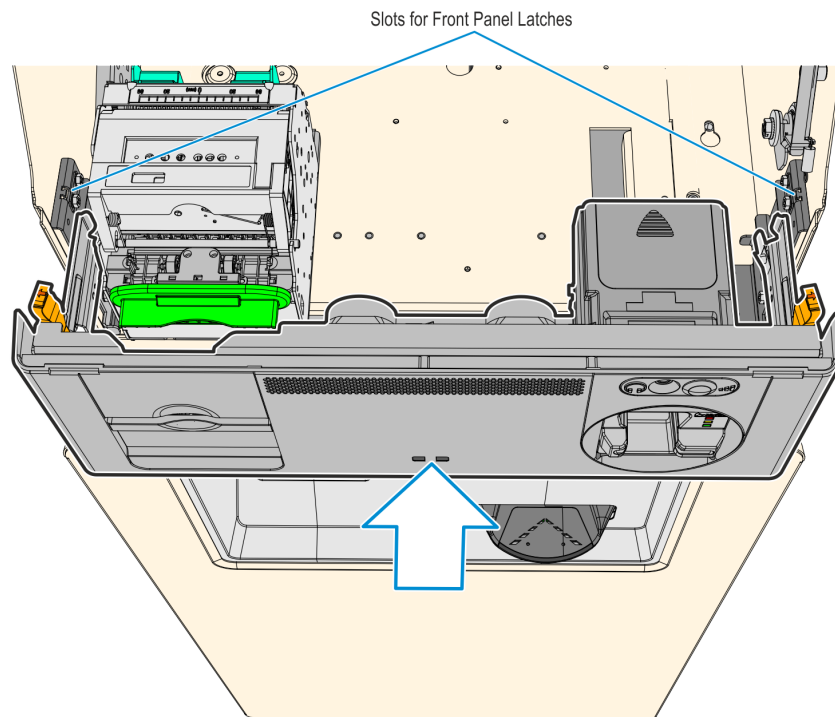
2. Route the Speaker Cables to the left-hand side of the Front Panel and secure them with the Private Audio Cable with a cable tie.

3. Connect the Proximity Detector USB Cable to the Proximity Detector Board and secure the Cable to the Cover with a cable tie.



CCP-70834

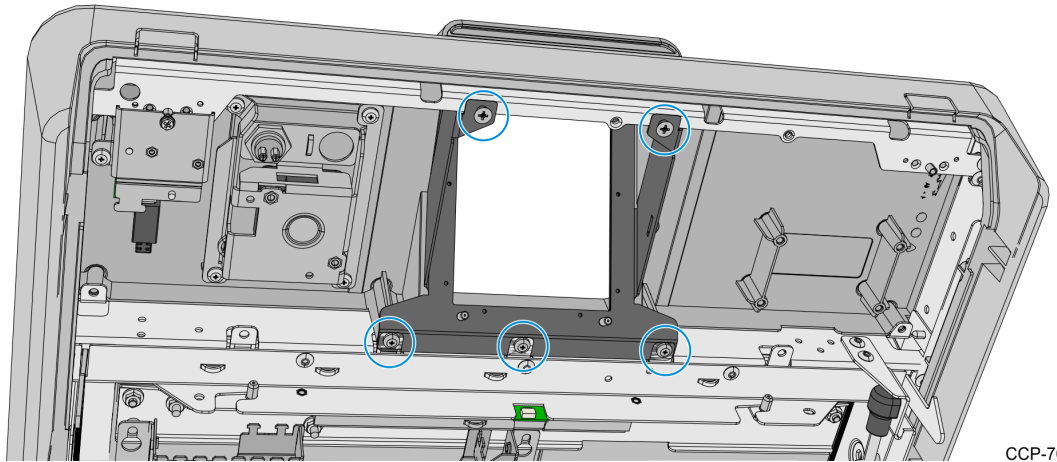
4. Route the Proximity Detector USB Cable under the MSR towards the left-hand side of the Front Panel.
5. Align the Front Panel latches to the slots in the Top Box, then push the Front Panel into the Top Box.



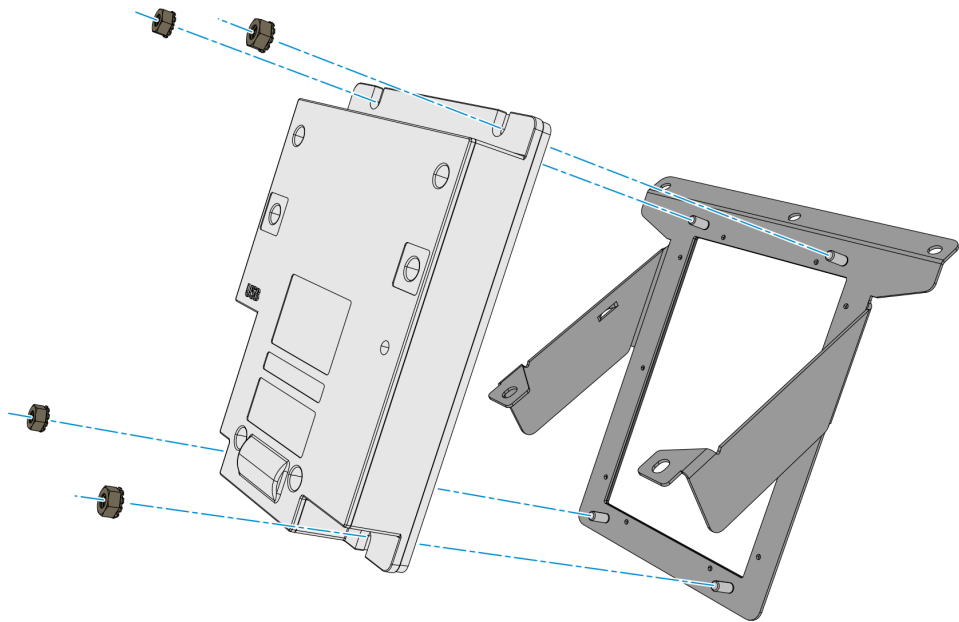
CCP-70835

Installing the Verifone UX100 PIN Pad

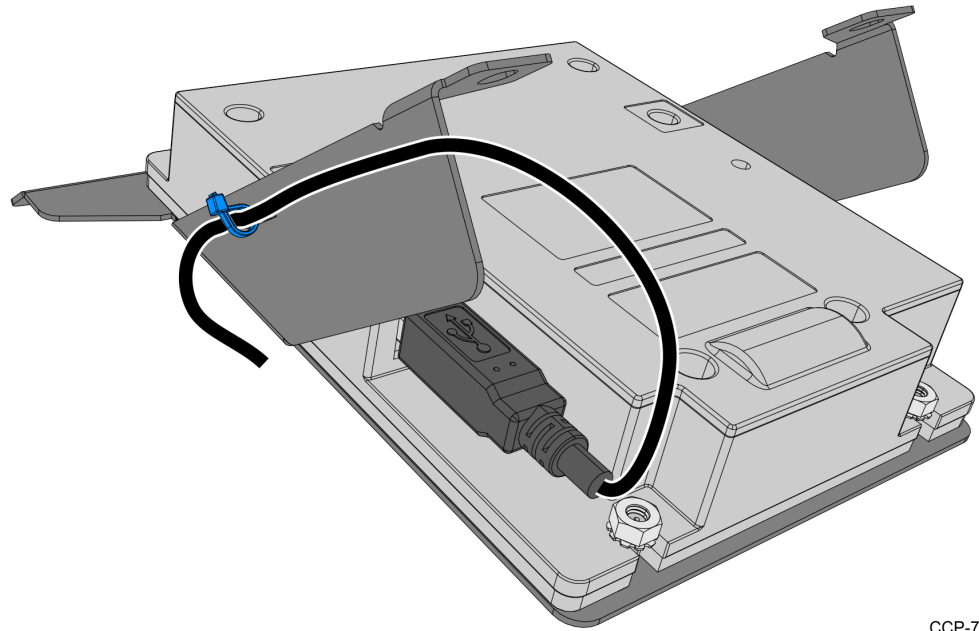
1. Remove the screws (5) securing the UX100 7705 Bracket from the Fascia.



2. Mount the UX100 PIN Pad on the UX100 7705 Bracket and secure with nuts (4).

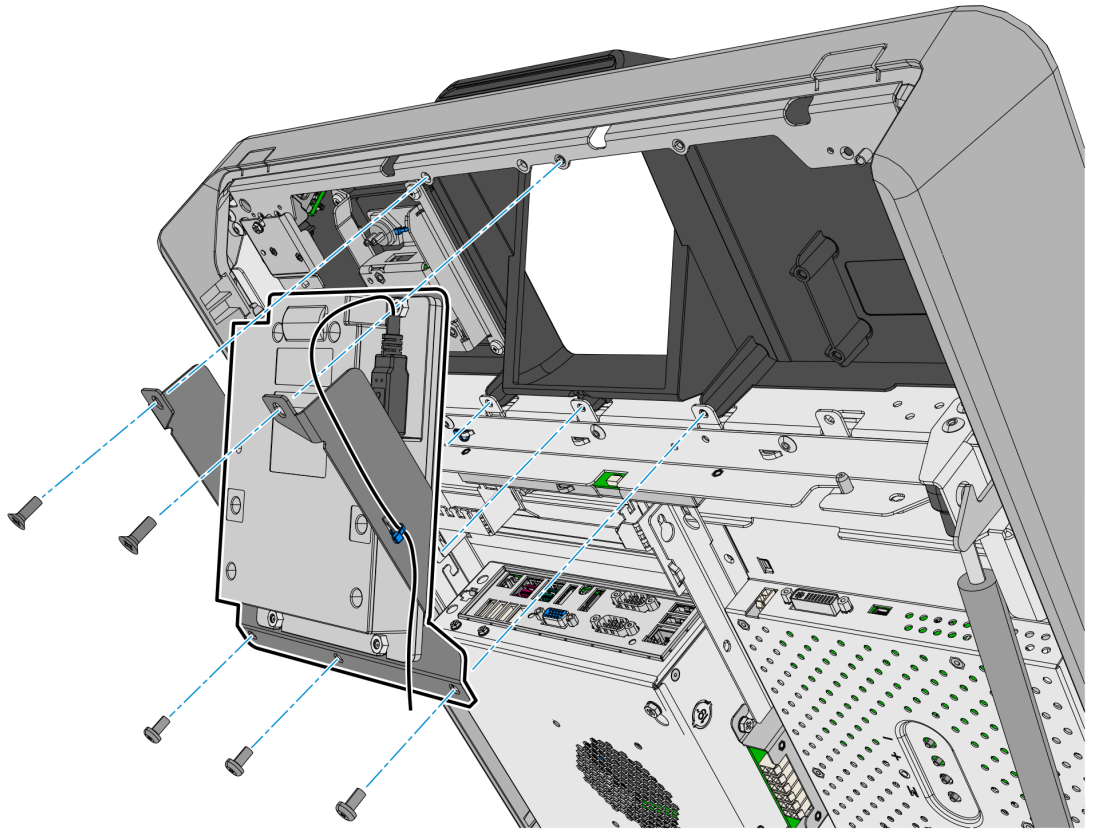


3. Connect the MSR to PIN Pad USB cable (009-021027) to the UX100 PIN Pad. Route the cable over the bracket arm and secure with a cable tie.



CCP-70850

4. Mount the PIN Pad and bracket assembly on the Fascia Trim Panel and secure with screws (5).
 - Use two M4x12 CSK screws (007-702123) to secure the PIN Pad assembly to the upper Fascia Frame
 - Use the remaining three M4 2x8 Plastite screws (006-106028) to secure the PIN Pad assembly to the lower Fascia Frame



CCP-70851

Routing the PIN Pad and MSR Cables

The UX100 PIN Pad and UX300 MSR uses the following cables to connect to the the Selfserv 75 (7705) Kiosk:

- [MSR to PIN Pad USB Cable](#) (009-0021027 - Cable-USB Type A to Type B High Speed)
- [PIN Pad Ground Harness](#) - this harness is customer supplied
- [UX300 MSR USB Cable](#) (497-0441898 - Cable-Communications USB, 1m, Black)
- [UX300 MSR Power Cable](#) (497-0513333 - Cable-DC Power, 12V Regulator Board to UX300)

See the [Interconnection Diagram](#) section for information on the connections of the UX100 PIN Pad and UX300 MSR to the 7705 Kiosk.

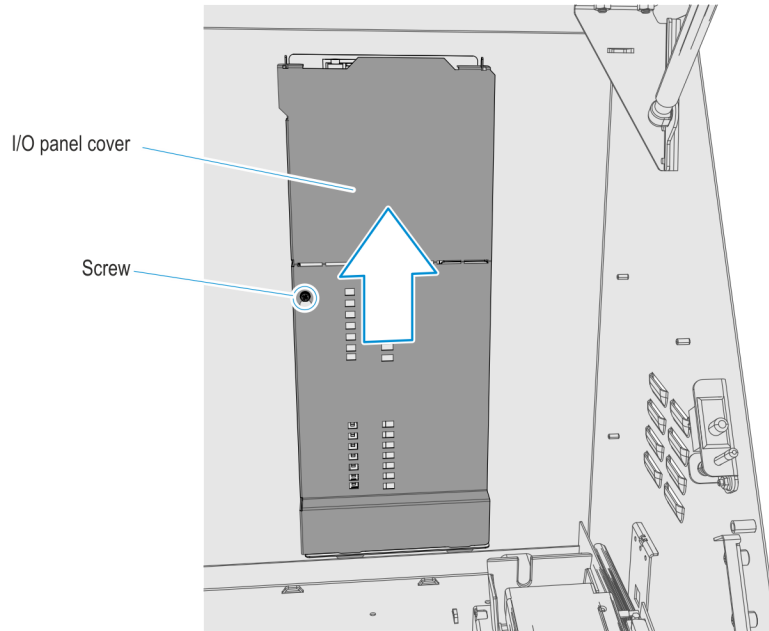
If a Sankyo MSR was installed on the Kiosk, the following cables need to be removed from the Kiosk:

- Sankyo MSR to EBox USB Cable
- Sankyo MSR Power Cable

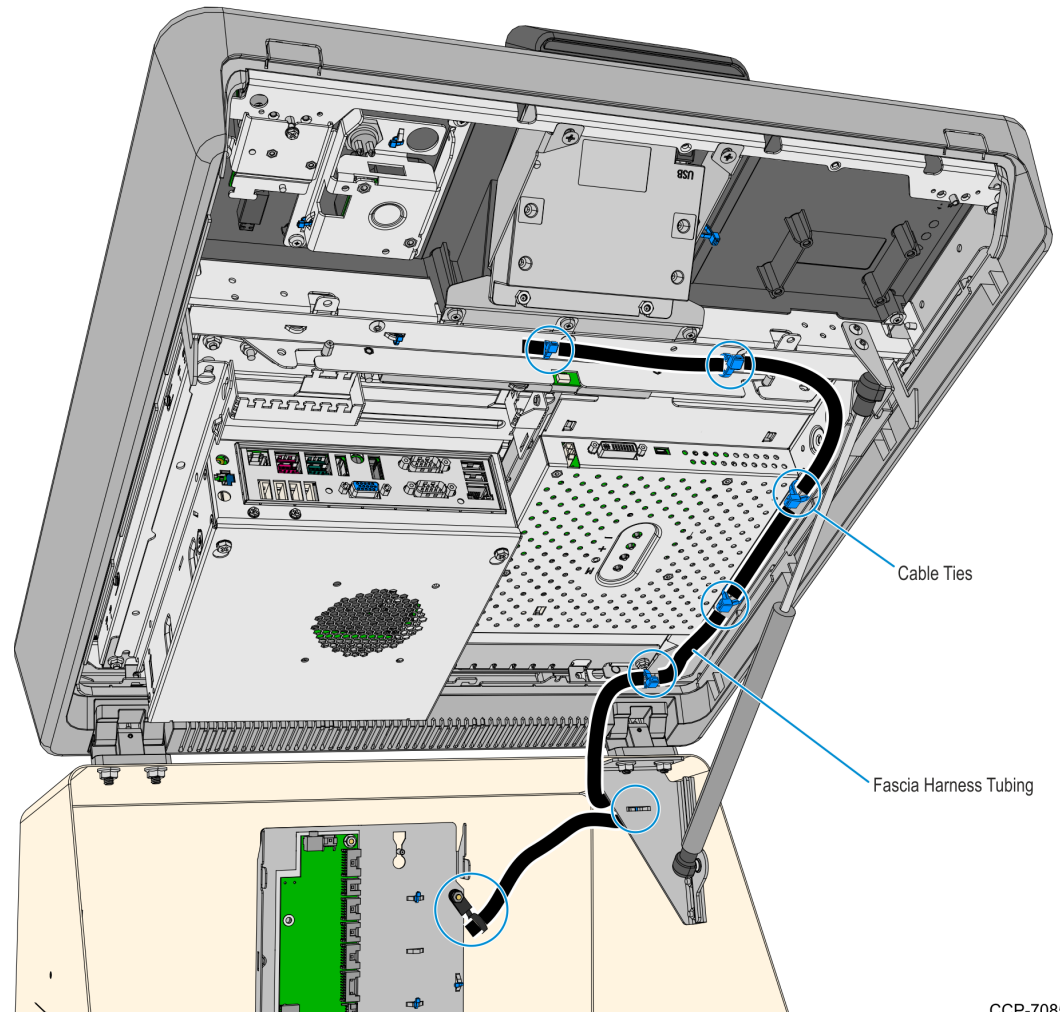
MSR to PIN Pad USB Cable

The MSR to PIN Pad USB Cable is routed from the UX100 PIN Pad along the Fascia to the Top Box through the Fascia Harness Tubing and then to the UX300 MSR.

1. Remove the Top Box I/O Panel Cover.
 - a. Loosen the screw (1) that secures the I/O Panel Cover.
 - b. Slide the cover upwards to unlatch its hooks from the I/O Panel.



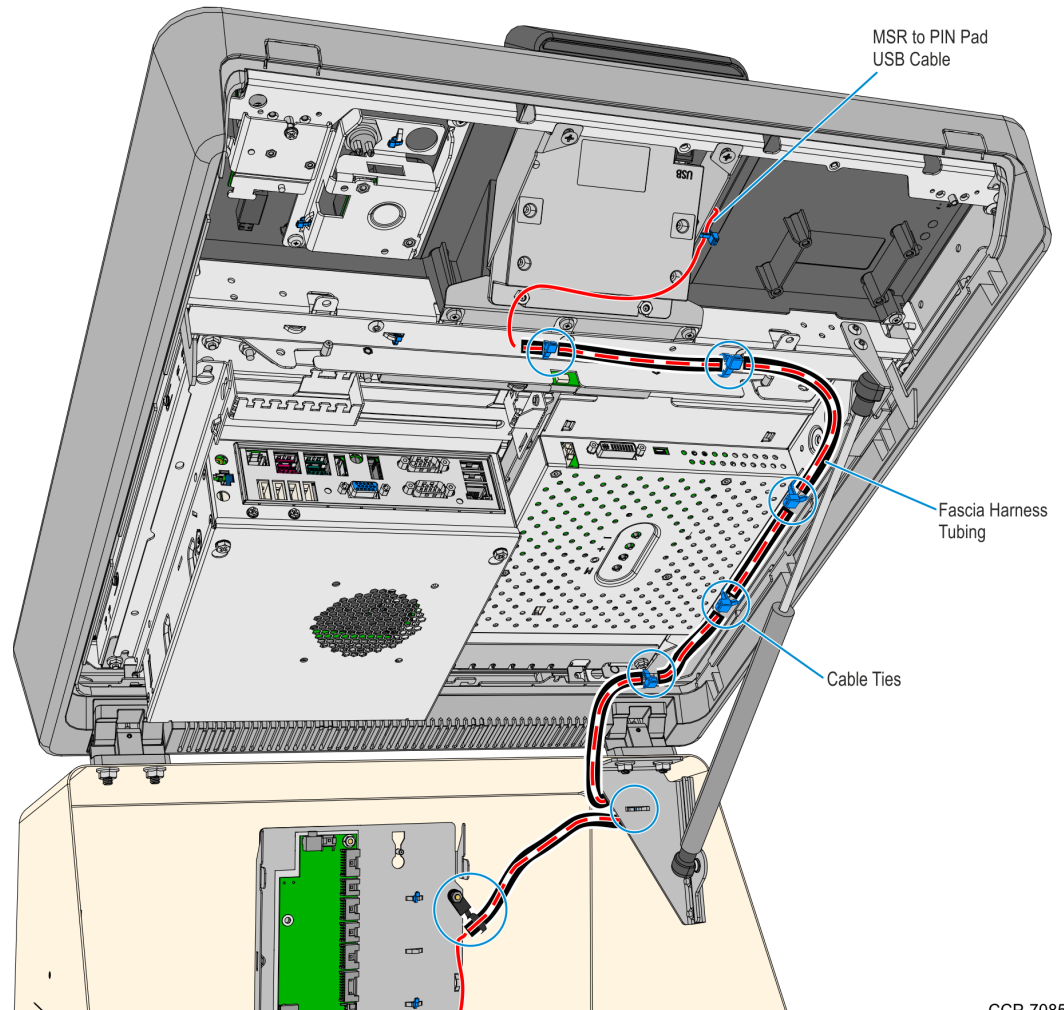
2. Remove the cable ties (7) securing the Fascia Harness to the Fascia and Top Box.



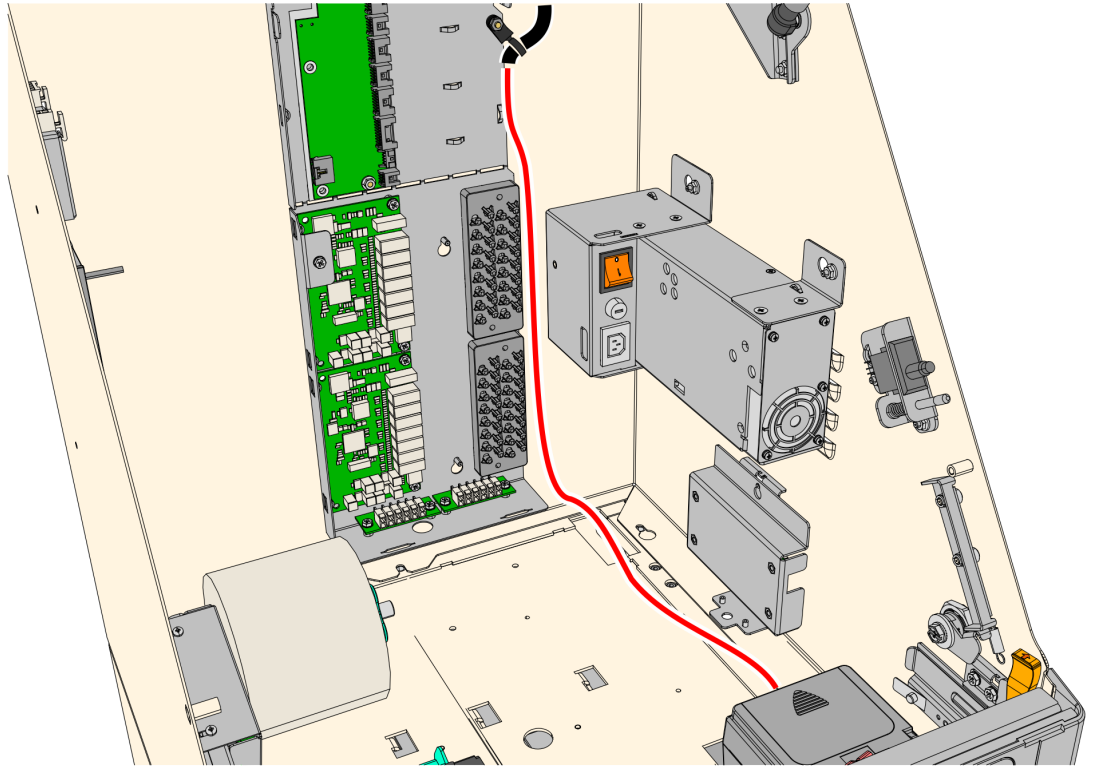
CCP-70853

3. If a Sanko MSR was installed in the Kiosk, remove the Sankyo MSR to EBox USB Cable from the Fascia Harness Tubing.
4. Insert the MSR to PIN Pad USB Cable into the Fascia Harness Tubing. Place the excess cable length on the base of the Top Box.

5. Route the Fascia Harness from the Fascia to the Top Box I/O Panel and secure with cable ties (7).



6. Route the MSR to PIN USB cable length towards the base of the Top Box together with other cables. Secure the USB cable with cable ties as necessary.

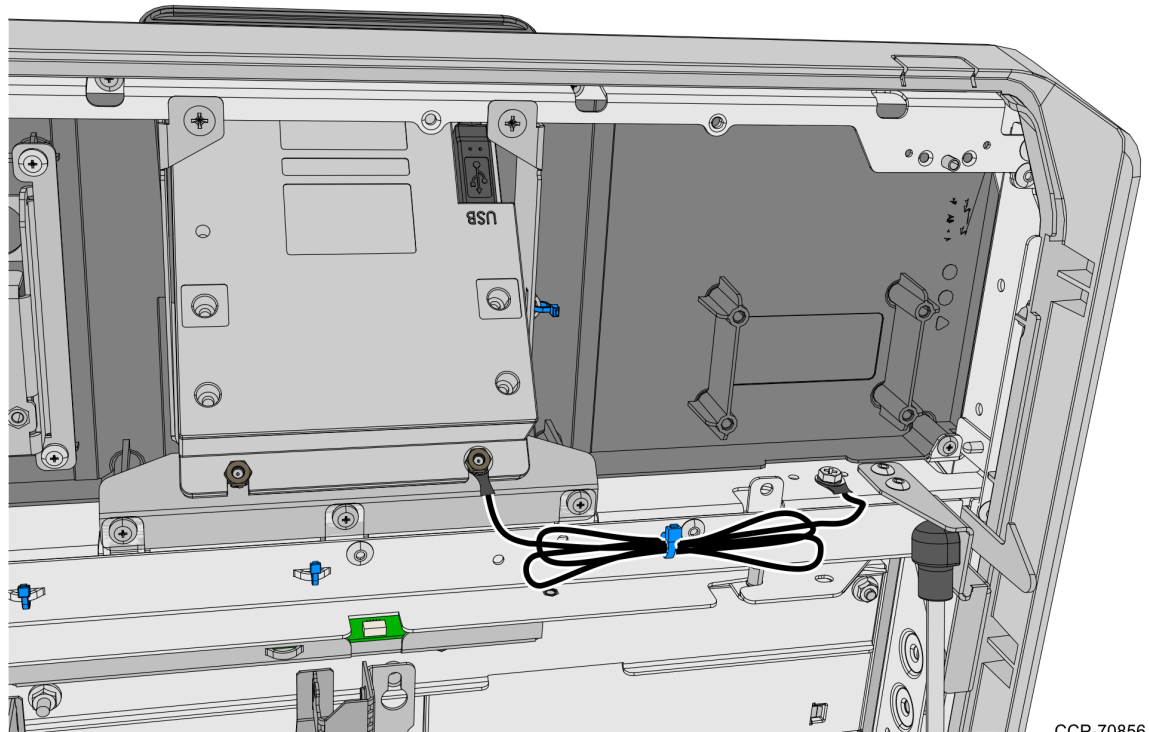


CCP-70855

7. Place the excess cable length on the Top Box together with other cables.

PIN Pad Ground Harness

1. Secure the PIN Pad Ground Harness to the right-hand side of the Fascia Frame Bracket with a screw (1).
2. Secure the Ground Harness to the PIN Pad with a nut (1).
3. Bundle the excess cable length and secure the bundle to the Fascia Frame Bracket with a cable tie.



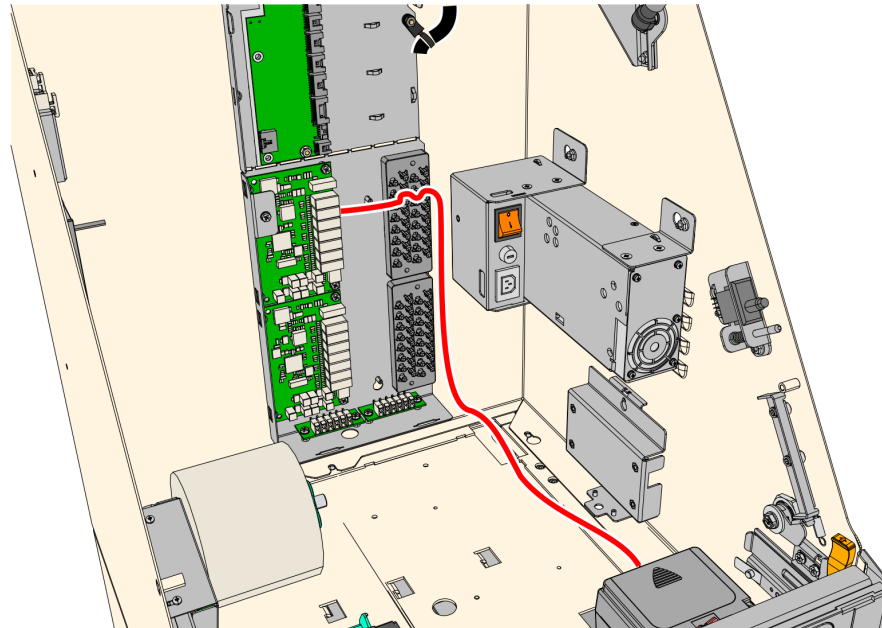
CCP-70856

UX300 MSR USB Cable

1. Connect the Type A connector of the MSR USB cable to one of the USB Ports on the USB Hub in the I/O Panel.

The Kiosk may either have one USB HUB or two USB Hubs depending on the Kiosk configuration.

- Single Hub Kiosks - connect the USB cable to the free port on the USB Hub.
 - Dual Hub Kiosks - connect the USB cable to one of the USB Ports on the upper USB Hub.
2. Route the cable along the Cable Strain Relief Bracket.
 3. Route the cable downward, together with other cables, towards the base of the Top Box.
 4. Place the excess cable length on the Top Box together with other cables.

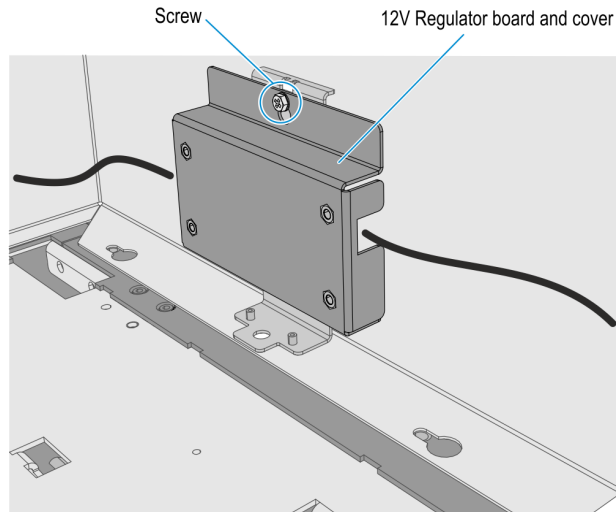


CCP-70857

5. Mount and secure the I/O Panel Cover.
 - a. At the bottom part of the I/O Panel, align the tabs on the cover to the slot of the I/O Panel.
 - b. At the top part, of the I/O assembly, align the slots of the cover to the tabs on the I/O Panel.
 - c. Carefully slide the cover downwards inserting the tabs to the slots and mounting screw through the cover keyhole slot. Make sure that the cables are not pinched or snagged by the cover.
 - d. Tighten the screw to secure the cover to the panel.

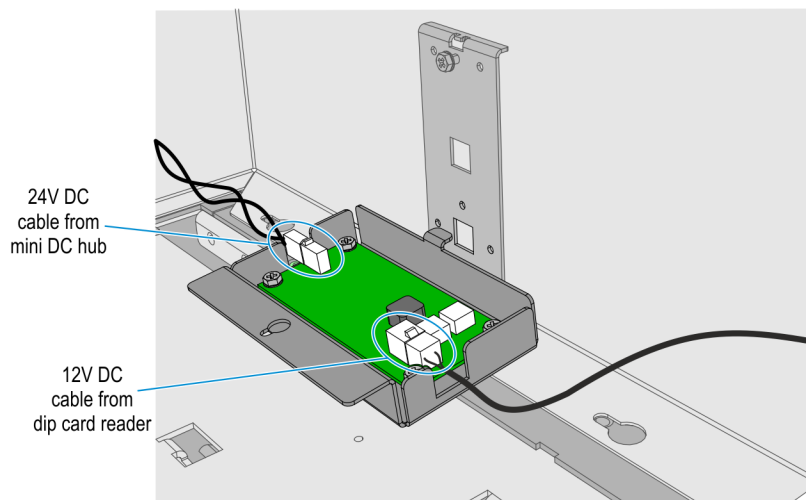
UX300 MSR Power Cable

1. Dismount the 12V Regulator Board.
 - a. Loosen the screw securing the 12V Regulator and Cover assembly.



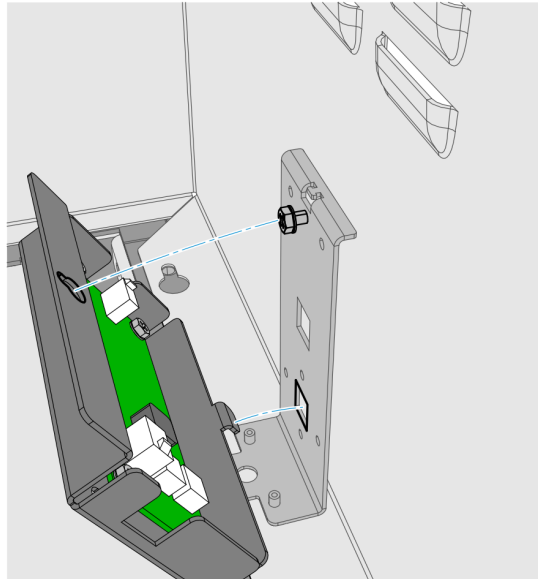
CCP-68077

- b. Slide the assembly upward to dismount it then lay the assembly down on the Top Box.
2. If a Sankyo MSR was installed in the Kiosk, disconnect and remove the Sankyo MSR Power Cable.
 3. Connect the UX300 MSR Power Cable to the 12V Regulator Board.



CCP-68078

4. Mount and secure the 12V Regulator Board and Cover assembly to the Top Box.
 - a. Insert the tab on the bottom side of the cover through the bottom slot on the Top Box Bracket.
 - b. Insert the Keyhole Slot on the cover through the mounting screw on the Top Box Bracket.



CCP-68081

- c. Tighten the screw to secure the 12V Regulator assembly.

Interconnection Diagram

The illustration below shows the UX100 and UX300 connection diagram with the NCR SelfServ 75 (7705) Kiosk.

