

Kit Instructions

7705 R1.1 EBox



7705-K036
Issue A



The product described in this book is a licensed product of NCR Corporation.

NCR is a registered trademark of NCR Corporation. NCR SelfServ™ is a trademark of NCR Corporation in the United States and/or other countries. Other product names mentioned in this publication may be trademarks or registered trademarks of their respective companies and are hereby acknowledged.

The terms HDMI and HDMI High-Definition Multimedia Interface, and the HDMI Logo are trademarks or registered trademarks of HDMI Licensing LLC in the United States and other countries.

Where creation of derivative works, modifications or copies of this NCR copyrighted documentation is permitted under the terms and conditions of an agreement you have with NCR, NCR's copyright notice must be included.

It is the policy of NCR Corporation (NCR) to improve products as new technology, components, software, and firmware become available. NCR, therefore, reserves the right to change specifications without prior notice.

All features, functions, and operations described herein may not be marketed by NCR in all parts of the world. In some instances, photographs are of equipment prototypes. Therefore, before using this document, consult with your NCR representative or NCR office for information that is applicable and current.

To maintain the quality of our publications, we need your comments on the accuracy, clarity, organization, and value of this book. Please use the link below to send your comments.

Email: FD230036@ncr.com

Copyright © 2017
By NCR Corporation
Duluth, GA U.S.A.
All Rights Reserved

Revision Record

Issue	Date	Remarks
A	July 2017	First Issue

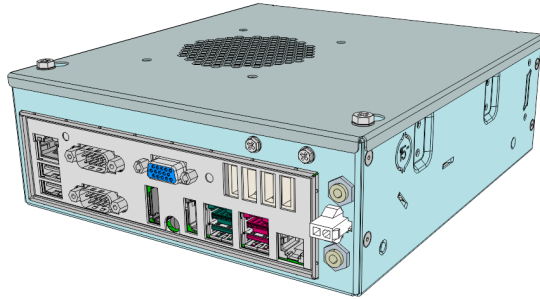
7705 R1.1 EBox

Introduction

This kit provides components to upgrade the 7705 EBox into an NCR "XR6" Motherboard which is based on Intel's Shark Bay Platform (Intel Haswell 22nm processor with Lynx Point Q87 Chipset). The EBox also provides the following components:

- Intel Core i3-4350T, 3.1 GHz processor
- 4GB, 1600MHz memory module
- 500GB HDD

Kit Contents



7705 R1.1 EBox Assembly

Xr6 Motherboard Intel Haswell/Lynx Point, LGA115
497-0508947

Intel Processor Core i3-4350T
006-8624391

4GB, 1600MHz DDR3 Memory Module
497-0502339

CPU Cooler - LGA 1155
009-0030990

2.5" SATA 500GB, 5400rpm, 4K Sector
Shingled Magnetic Record
006-8626300

USB Expansion Board
445-0728936

XR6-7603 Windows 10 IOT Enterprise
2016 LTSB Value (64-bit)
497-0518348

Cable Assembly - Kiosk eSATA Core Breakout
009-0028177

Cable VGA Panel Mount
497-0510747

Cable Assembly - SATA Data and Power
009-0026263

Cable Assembly - USB Header
009-0027034

Harness - Core DC
445-0744795

Cable Assembly - Audio Breakout Header
009-0028845

Cable - Amplified Audio Panel Mount
497-047885

Bracket - Core HDD Support
445-0730499

Bracket - Core USB PCB Support
445-0734909

Bracket - Core Base
445-0738400

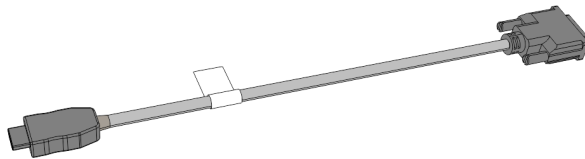
Bracket - Core Top Cover
445-0742377

Bracket Assy - Core I/O Panel
497-0509492

(6) Screw M3x6 M/C Combi Pozi
009-0006590

(6) Screw M4x6 M/C Combi Pozi
009-006592

Screw Standoff, #4-40x.187x.462, Hex
Male/Female, with slot, nickel
006-8613209



Cable, HDMI to DVI, 300mm
497-0509593

Installation Procedure



Warning: Disconnect the AC power cord before disassembling the Terminal.



Caution: Static Electricity Discharge may permanently damage your system. Discharge any static electricity build up in your body by touching your computer's case for a few seconds. Avoid any contact with internal parts and handle cards only by their external edges.



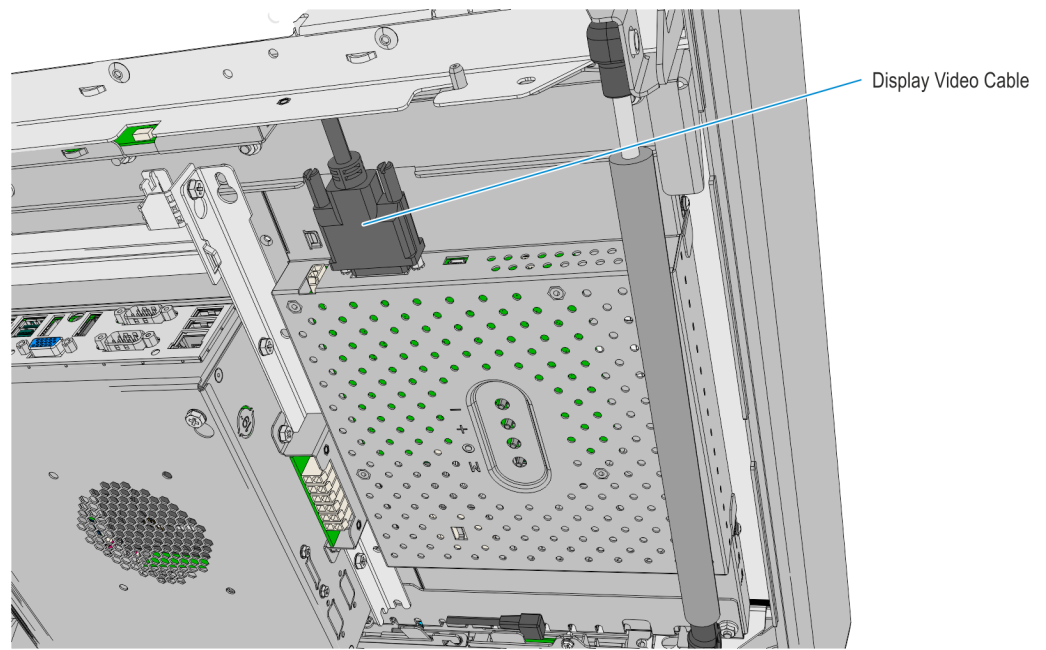
Caution: Properly hold and support the EBox assembly while loosening and tightening the screws securing the assembly to the fascia.

Perform the following procedures to install the 7705 R1.1 EBox:

1. [Removing the Existing EBox Assembly](#)
2. [Installing the 7705 R1.1 EBox](#)

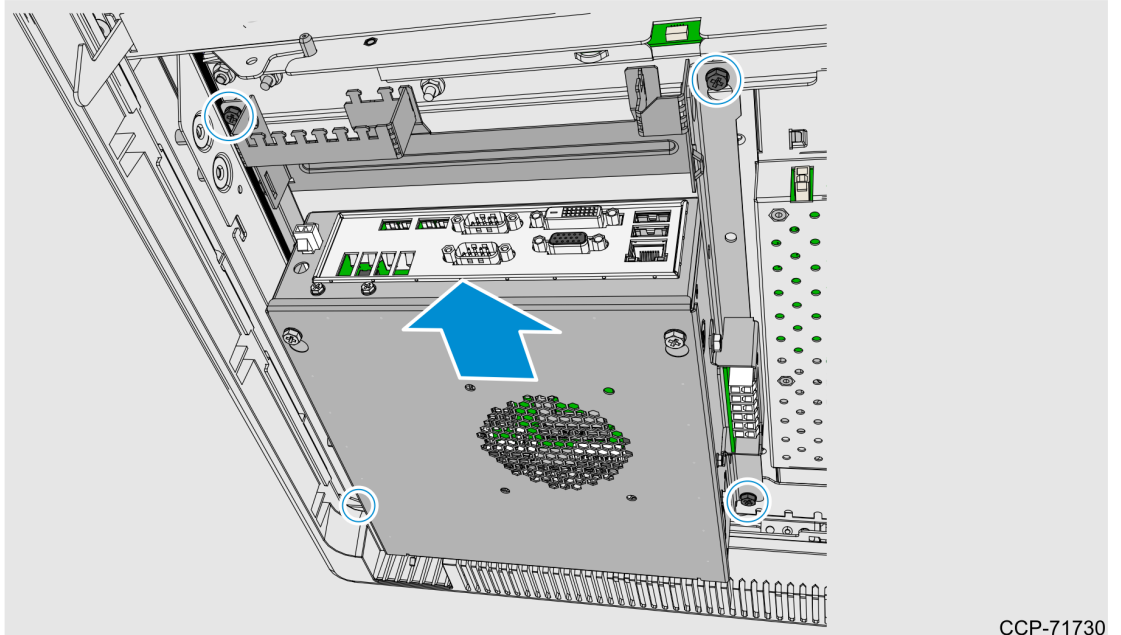
Removing the Existing EBox Assembly

1. Shut down the Kiosk Operating System and turn off the Kiosk.
2. Unplug the terminal's power cord.
3. Open the Kiosk Fascia using a key to access the EBox.
4. Take note of all cables connected to the EBox and the cable routing. Disconnect all the cables and remove them from the cable strain relief. Remove cable ties as necessary.
5. Disconnect the DVI cable from the Display and remove the cable from the Fascia. This cable will be replaced with the HDMI to DVI cable included in this kit.

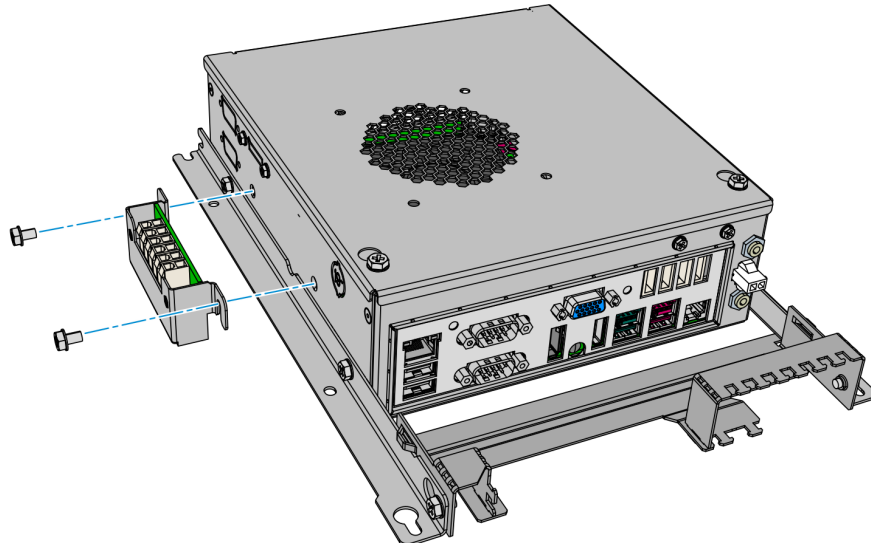


CCP-71727

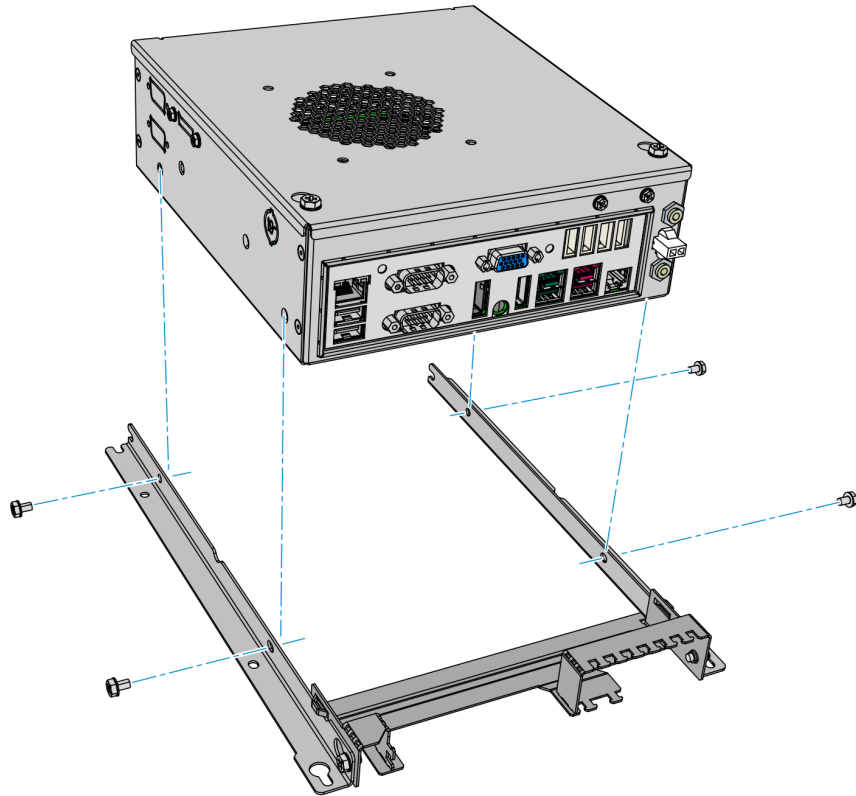
- Loosen the screws (4) securing the EBox assembly to the fascia then slide the EBox assembly upwards to remove the assembly.



- Remove the screws (2) securing the EBox Mini DC Hub then remove the Mini DC Hub.

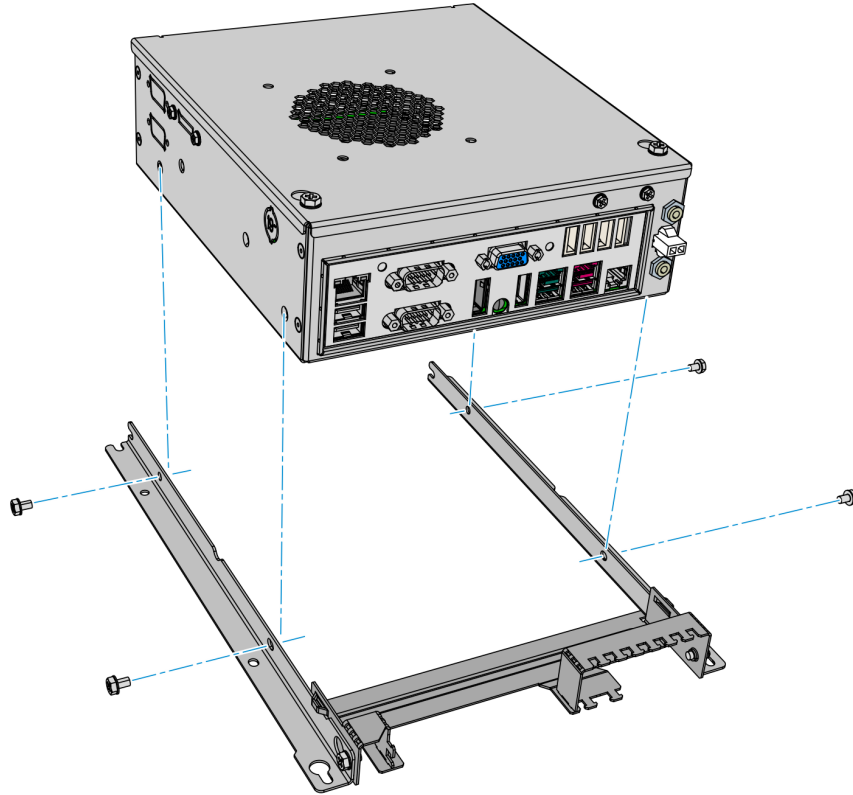


8. Remove the screws (2) on each side securing the EBox to the brackets and slide the EBox upwards to remove it..



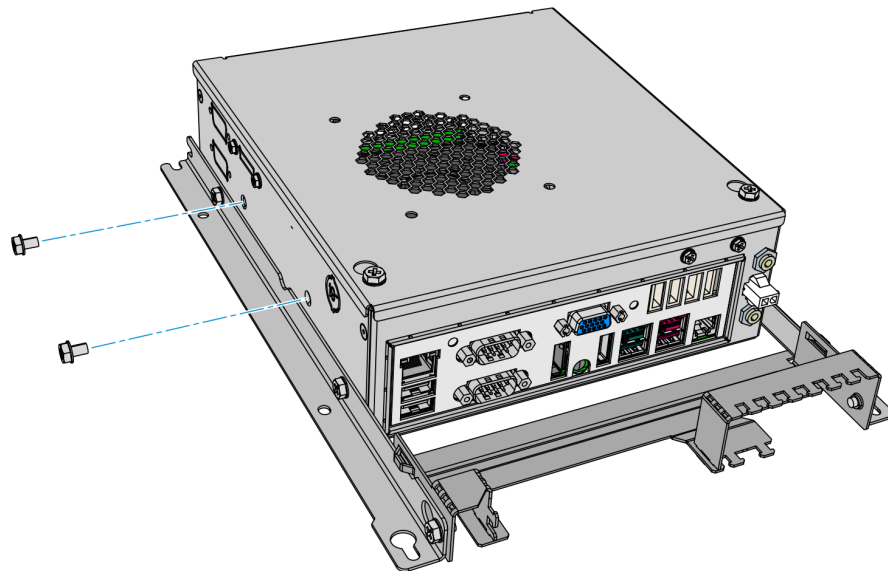
Installing the 7705 R1.1 EBox

1. Mount and secure the R1.1 EBox to the bracket assembly using screws (2 on each bracket).



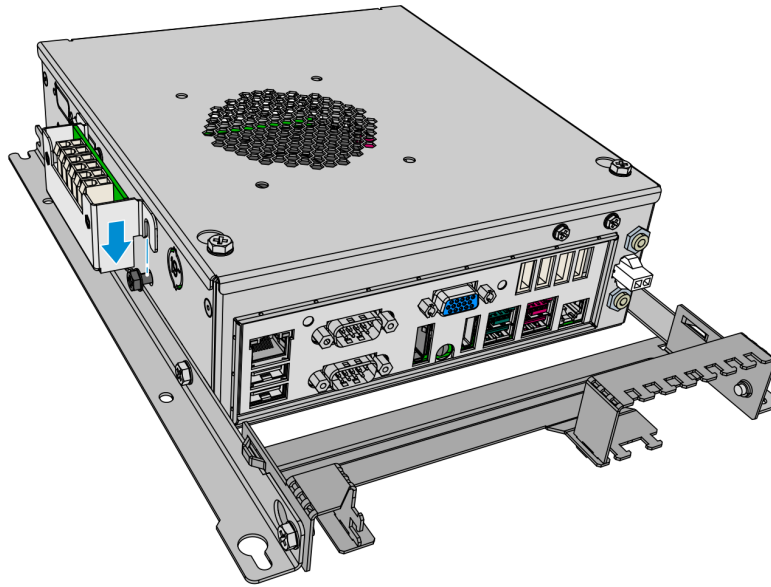
CCP-71723

2. Mount and partially tighten screws (2) on the EBox for the Mini DC Hub assembly.



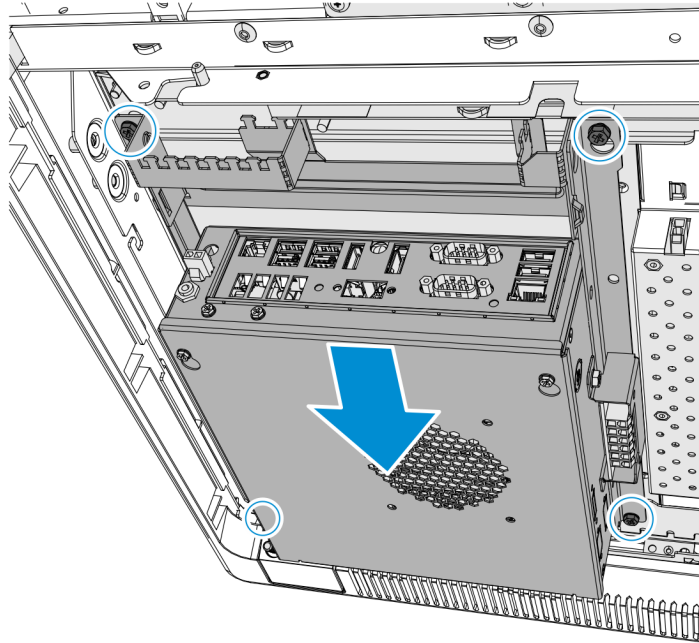
CCP-71732

3. Slide the Mini DC Hub on the screws then fully tighten the screws (2) to secure the Mini DC Hub.

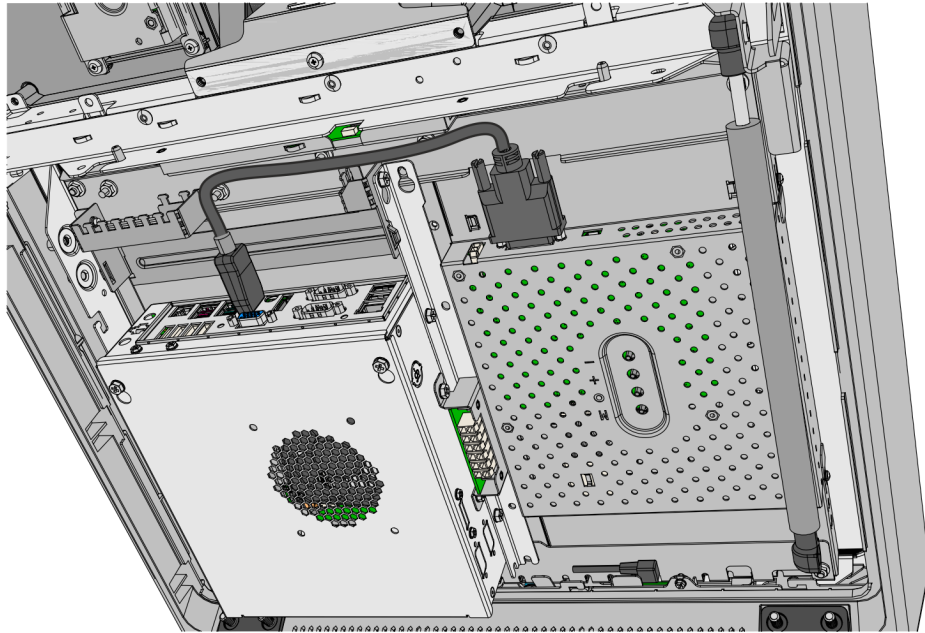


CCP-71733

4. Mount and secure the EBox assembly to the Fascia.
 - a. Align and insert the slots of the Ebox brackets to the mounting screws positioned on the display lower bracket.
 - b. Insert the mounting keyholes of the EBox brackets through the mounting screws positioned on the display top bracket.
 - c. Slide the Ebox Assembly downward and tighten the four mounting screws to secure the Ebox assembly.



5. Connect the DVI connector of the HDMI to DVI cable to the Display and connect the HDMI connector to the EBox IO Panel.



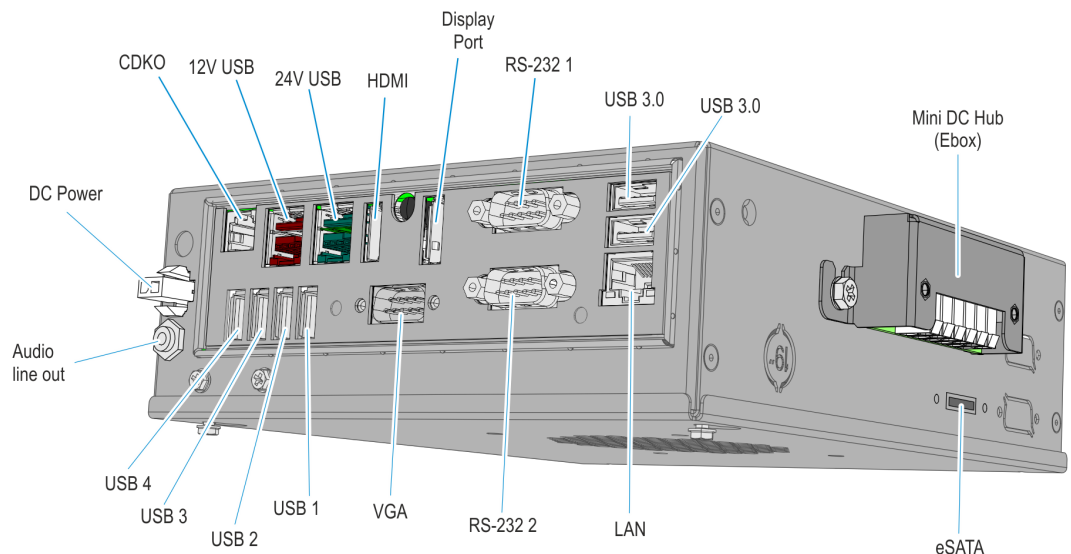
CCP-71728

6. Connect the Fascia Harness Cables to the Ebox and DC Hub.
 - a. Plug the DVD-RW cable to the eSATA connector on the side of the EBox.
 - b. Plug the following DC cables to the Mini DC hub on the side of the EBox:
 - Touchscreen
 - EBox
 - Mini DC Hub cable from top box
 - c. Plug the cables in the table below to the EBox I/O Panel:



Note: Some device cables may not be present depending on the Kiosk configuration.

EBOX I/O Panel	Cable
USB 3.0 Ports	19-inch Touchscreen
	USB Mini Hub (from top Box USB Mini Hub)
LAN	LAN
RS 232 (COM 1)	Note Acceptor
USB 1	PIN Pads (IPP350, VX805/820) or UX300 MSR
USB 2	Barcode Scanner
USB 3	USB Camera Digitizer
USB 4	Trackball and Switch
Audio Out	Line Out (from MIDI MISC IF)
DC Power	DC distribution (from EBox Mini DC hub)



7. Tidy up and secure the cables using cable ties and the cable strain relief bracket.

