

# Kit Instructions

## Camera (NTSC) and Telephone Handset Upgrade



7705-K034  
Issue A



---

The product described in this book is a licensed product of NCR Corporation.

NCR is a registered trademark of NCR Corporation. NCR SelfServ™ is a trademark of NCR Corporation in the United States and/or other countries. Other product names mentioned in this publication may be trademarks or registered trademarks of their respective companies and are hereby acknowledged.

The terms HDMI and HDMI High-Definition Multimedia Interface, and the HDMI Logo are trademarks or registered trademarks of HDMI Licensing LLC in the United States and other countries.

Where creation of derivative works, modifications or copies of this NCR copyrighted documentation is permitted under the terms and conditions of an agreement you have with NCR, NCR's copyright notice must be included.

It is the policy of NCR Corporation (NCR) to improve products as new technology, components, software, and firmware become available. NCR, therefore, reserves the right to change specifications without prior notice.

All features, functions, and operations described herein may not be marketed by NCR in all parts of the world. In some instances, photographs are of equipment prototypes. Therefore, before using this document, consult with your NCR representative or NCR office for information that is applicable and current.

To maintain the quality of our publications, we need your comments on the accuracy, clarity, organization, and value of this book. Please use the link below to send your comments.

*Email:* [FD230036@ncr.com](mailto:FD230036@ncr.com)

Copyright © 2017  
By NCR Corporation  
Duluth, GA U.S.A.  
All Rights Reserved

## Revision Record

Issue	Date	Remarks
A	Sept 2017	First Issue

---

# Camera (NTSC) and Telephone Handset Upgrade

---

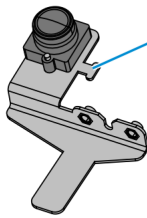
## Introduction

This kit provides the components to install the following features to the NCR SelfServ™ 75 (7705) Kiosk:

- Telephone Handset
- NTSC USB Camera

# Kit Contents

## Camera Assembly



Bracket Assy - Camera Mounting  
19-inch Pinhole  
445-0734207  
(NTSC) Pinhole Camera with  
Wide Angle Lens  
009-0028805  
(2) Screw - MA Pan Pozi M2 8L  
007-7022003

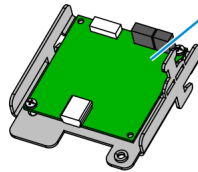


Plastic - Grommet - Mounting  
Hole Diameter 1.0 in.  
006-8625044

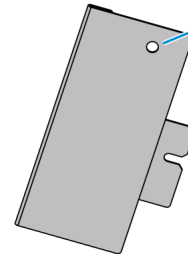


USB Sound Card  
006-8615863

## Digitizer Board Assembly



Bracket Assy - Camera Controller  
445-0732557  
USB Digitizer PCB for 3.3V,  
NTSC Analogue Camera  
009-0028808  
(2) Screw - MA Pan Pozi M2 4L  
007-7022001

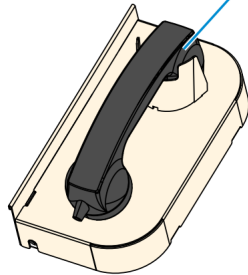


Bracket - 7705 Handset  
Drilling Jig  
497-0519350

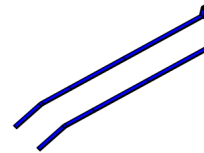


(2) Screw - M3x6 Hex Poz Drive  
009-0006590

## Telephone Handset Assembly

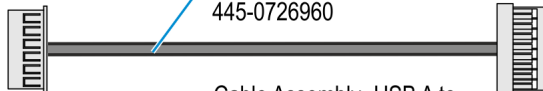


7705 Handset Cradle 1  
795-0236801  
7705 Handset Cradle 2  
795-0236901  
7705 Handset Cradle  
Adaptor Bracket  
795-0237001  
Handset K Style with  
29 in. Armoured Cable  
009-0027470  
(8) Screw - Metric Flat Head Phillips  
Machine Screw Zinc Plated Stl,  
M4 Size, 8mm Length, .7mm pitch  
006-8613226  
2-piece Collar  
006-8615860

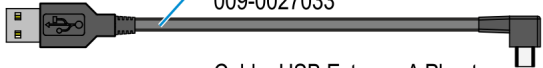


(2) Cable Tie  
006-1069715

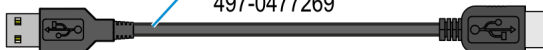
Harness - Pinhole Cam JST 6-way  
to Digitizer 8-way  
445-0726960



Cable Assembly- USB A to  
Mini B Left Angled  
009-0027033



Cable, USB Extener, A Plug to  
A Receptacle, 0.75 mm  
497-0477269



Arbor, 1/4 in. Hex Size  
for 9/16 to 1-3/16 inch  
Diameter Hole Saw  
006-8624967



Hole Saw, **25mm** Diameter  
006-8624966

## Tools Required

- #1 Phillips screw driver
- Nut driver
- Hand Drill

# Installation Procedure



**Warning:** Disconnect the AC power cord before disassembling the Terminal.



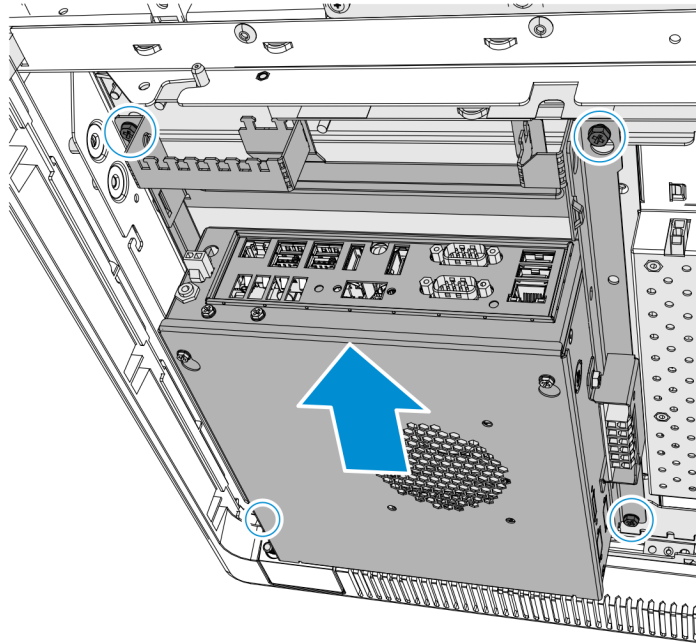
**Caution:** Static Electricity Discharge may permanently damage your system. Discharge any static electricity build up in your body by touching your computer's case for a few seconds. Avoid any contact with internal parts and handle cards only by their external edges.

Perform the following procedures to install the USB Camera and Telephone Handset:

1. Open the Kiosk Fascia.
2. *Remove the 7705 EBox.*
3. *Remove the Display Assembly.*
4. *Install the USB Camera and Digitizer Board.*
5. *Install the Display Assembly.*
6. *Install the 7705 EBox.*
7. *Drill a hole on the Top Box for the Handset cable.*
8. *Install the Handset assembly.*
9. Turn ON and close the Kiosk.

## Removing the 7705 EBox

1. Take note of all the cable routing and cables connected to the EBox. Disconnect all the cables and remove them from the cable strain relief. Remove cable ties as necessary.
2. Loosen the screws securing the EBox assembly to the fascia.
  - two screws at the bottom (one screw is hidden from the view in the illustration)
  - two screws at the top

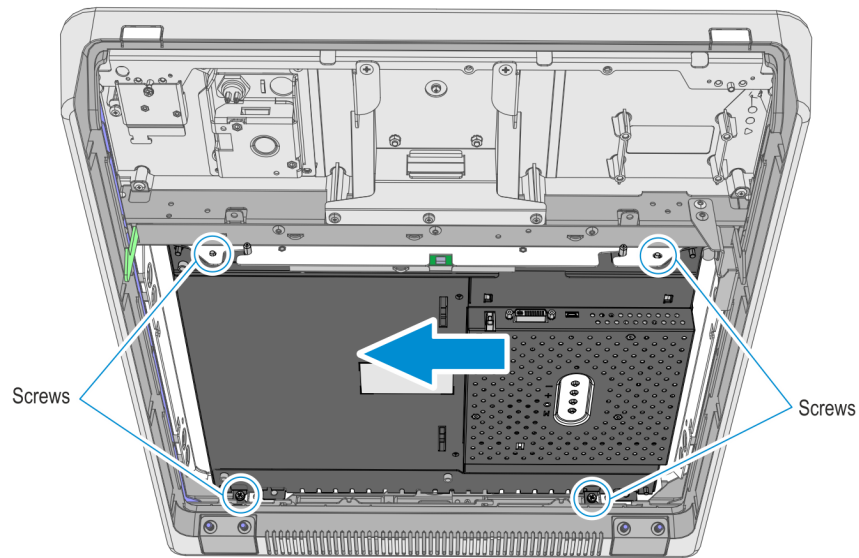


CCP-65014

3. Slide the EBox assembly upwards and remove the assembly from the fascia.

## Removing the Display Assembly

1. Remove the four screws that secure display assembly to the fascia mounting frame.



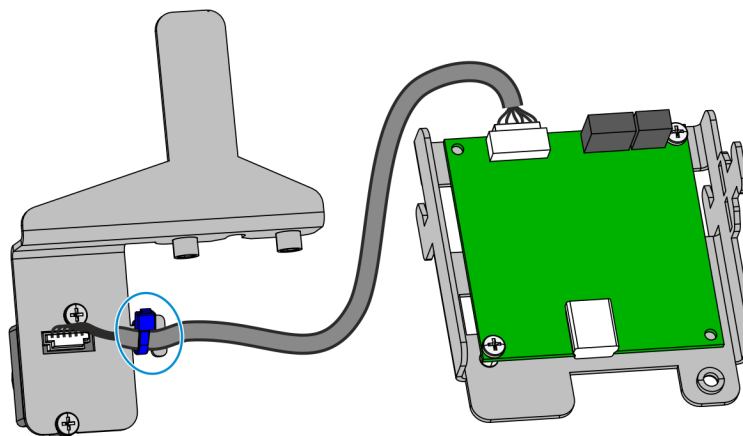
CPP-65041

2. Slide the assembly to the left and remove the display from the fascia.



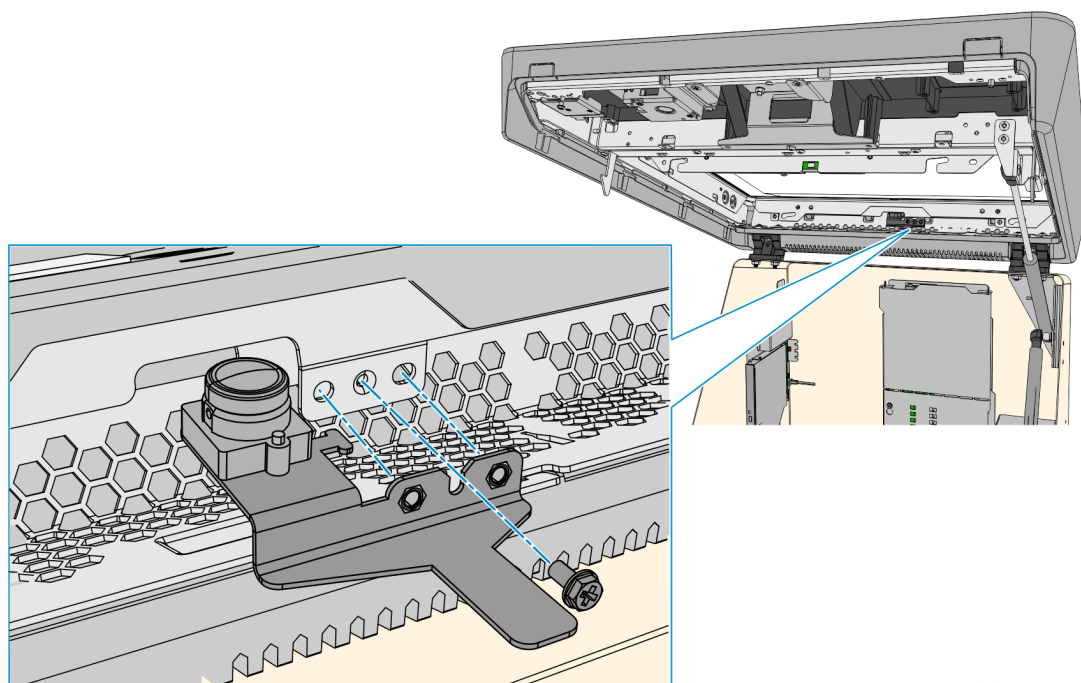
## Installing the USB Camera and Digitizer Board

1. Use the Pinhole Cam to Digitizer Harness (445-0726960) included in this kit to connect the Camera and Digitizer Board. Secure the harness to the Camera bracket with a cable tie.



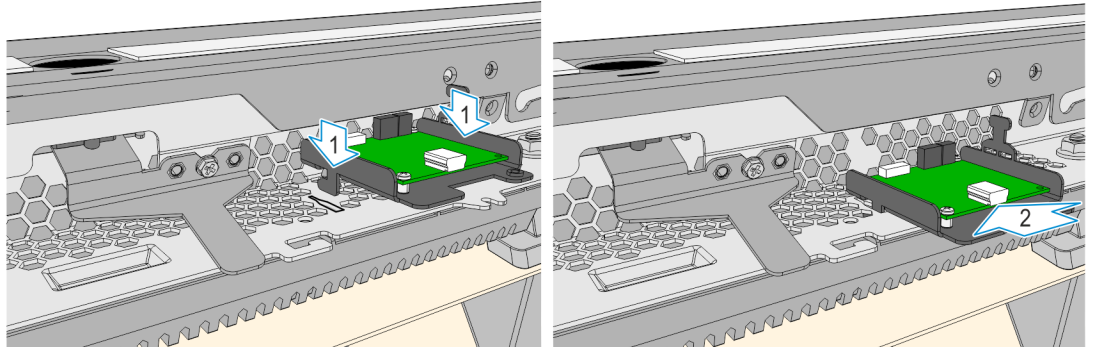
CCP-72059

2. Mount and secure the Camera assembly to the Fascia Bracket using a screw (1).



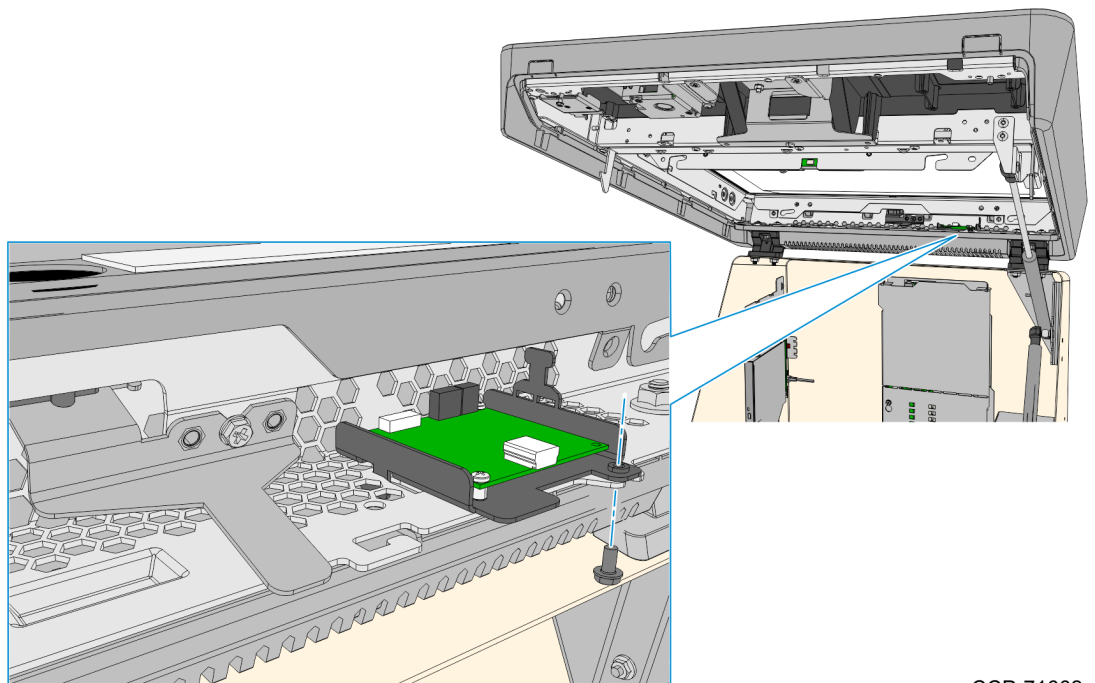
CCP-72057

3. Mount and secure the Digitizer board.
  - a. Insert the tabs on the Digitizer bracket into the slots on the Fascia frame and slide the assembly forward to hook it to the frame.



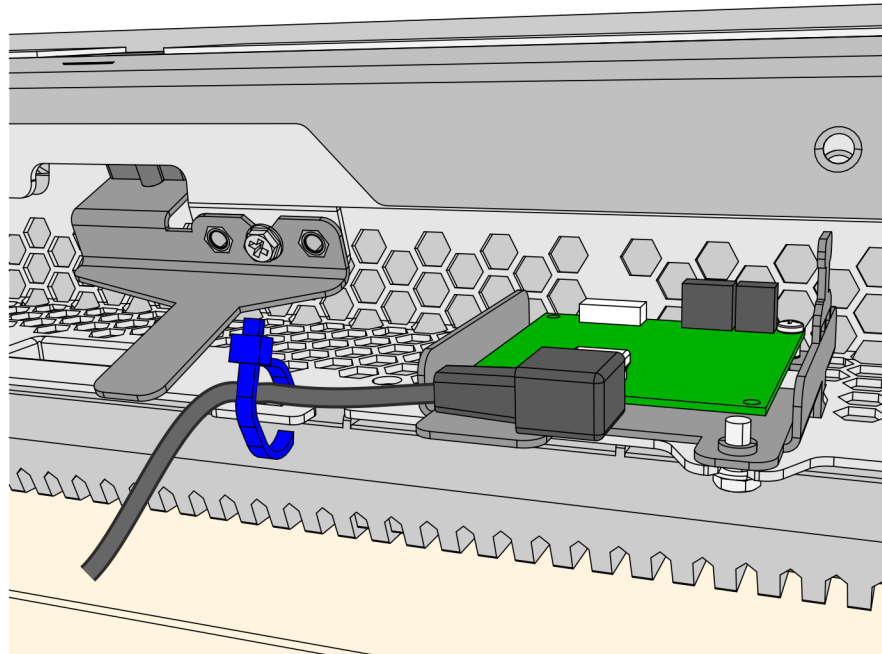
CCP-71666

- b. Secure the Digitizer assembly using a screw (1).



CCP-71662

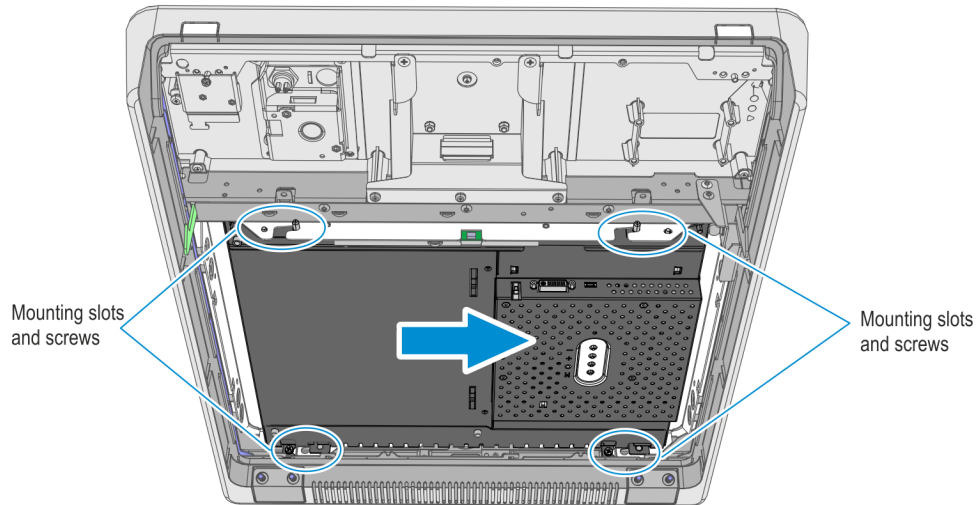
4. Connect the angled USB Mini -B cable included in this kit to the Digitizer board. Secure the cable using a cable tie.



CCP-72058

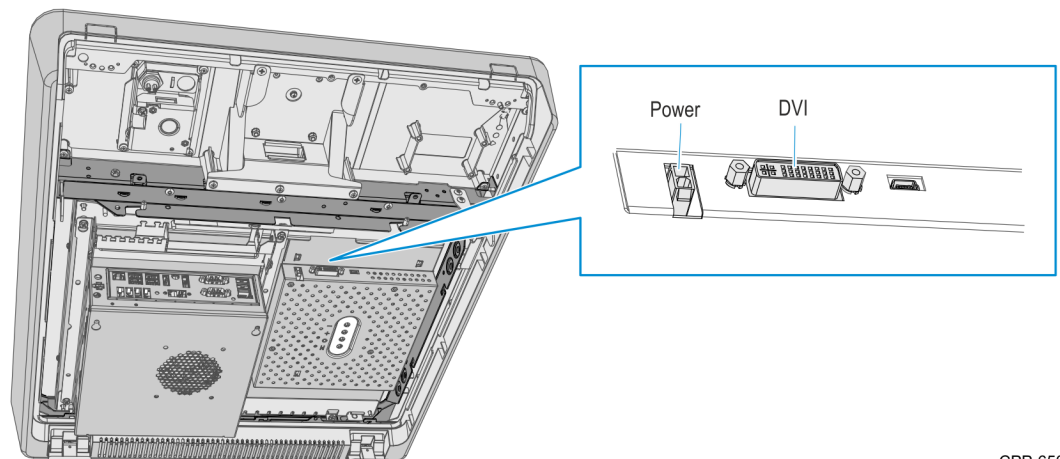
## Installing the Display Assembly

1. Insert the studs on the Display bottom brackets through the keyhole slots on the bottom touchscreen bracket.
2. Align the studs on the Display top brackets to the slots on the top touchscreen bracket.
3. Slide the display assembly to the right.



CPP-65043

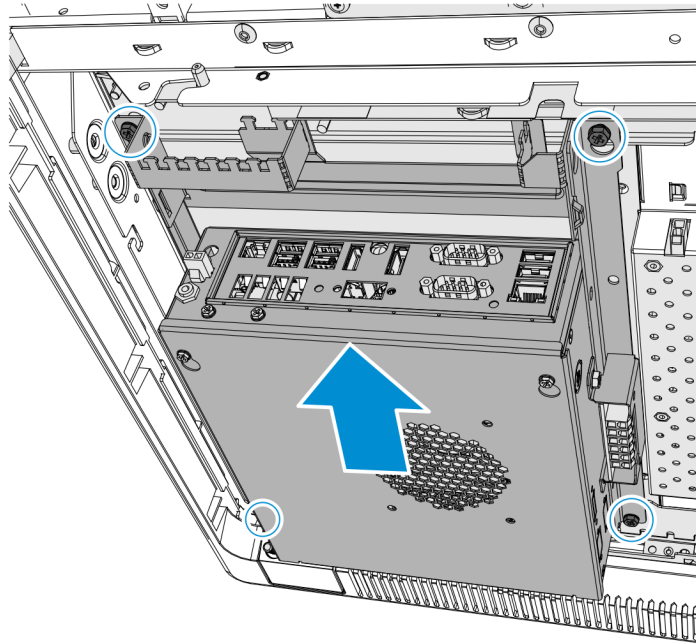
4. Secure the Display assembly with four screws.
5. Connect the Display Cable to the DVI port and DC cable to the Power port of the Display



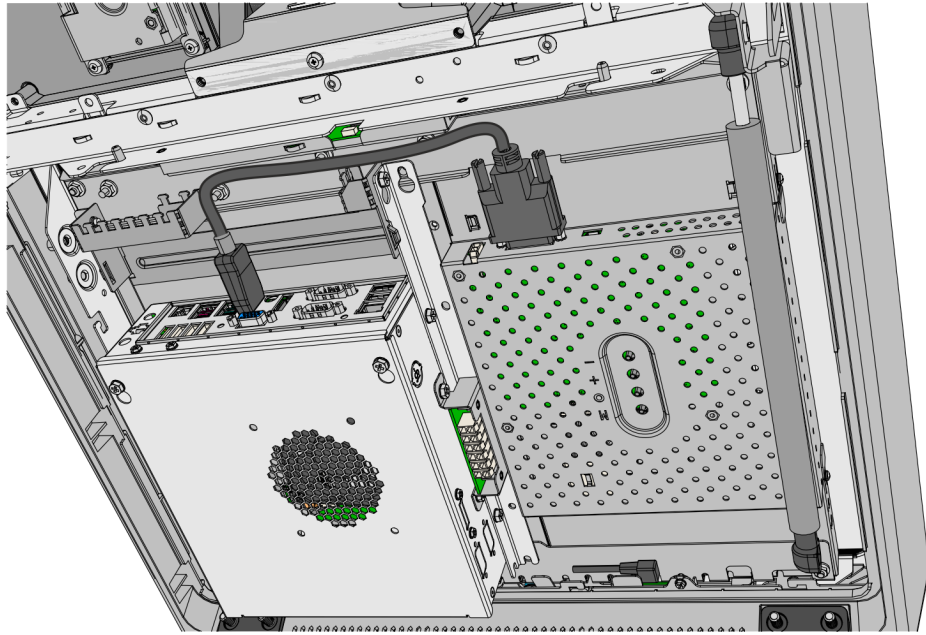
CPP-65044

## Installing the 7705 EBox

1. Align and insert the slots of the Ebox brackets to the mounting screws positioned on the display lower bracket.
2. Insert the mounting keyholes of the EBox brackets through the mounting screws positioned on the display top bracket.
3. Slide the Ebox Assembly downward and tighten the four mounting screws to secure the Ebox assembly.



4. Connect the DVI connector of the Display cable to the EBox IO Panel.



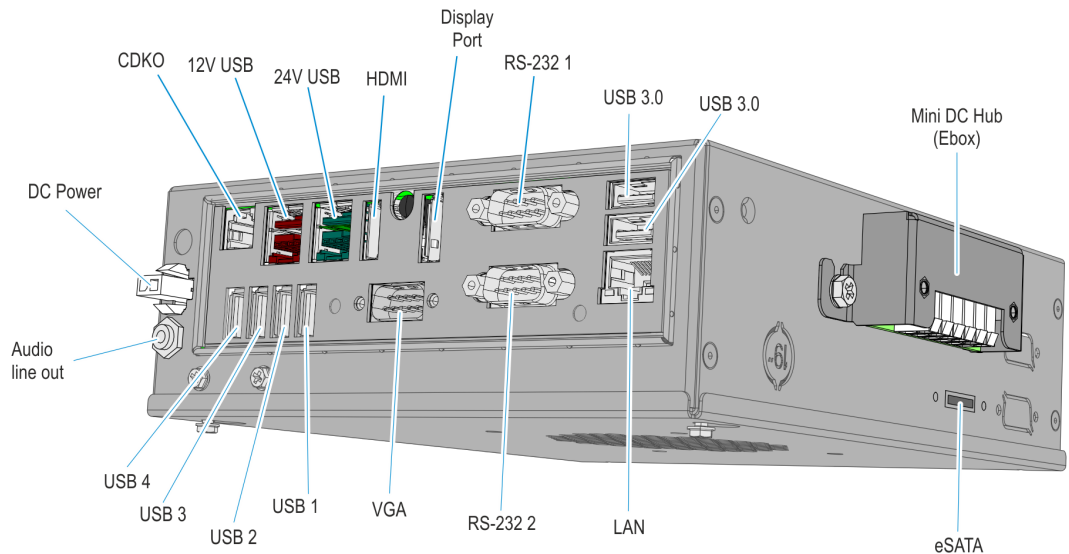
CCP-71728

5. Connect the Fascia Harness Cables to the Ebox and DC Hub.
  - a. Plug the DVD-RW cable to the eSATA connector on the side of the EBox.
  - b. Plug the following DC cables to the Mini DC hub on the side of the EBox:
    - Touchscreen
    - EBox
    - Mini DC Hub cable from top box
  - c. Plug the cables in the table below to the EBox I/O Panel:

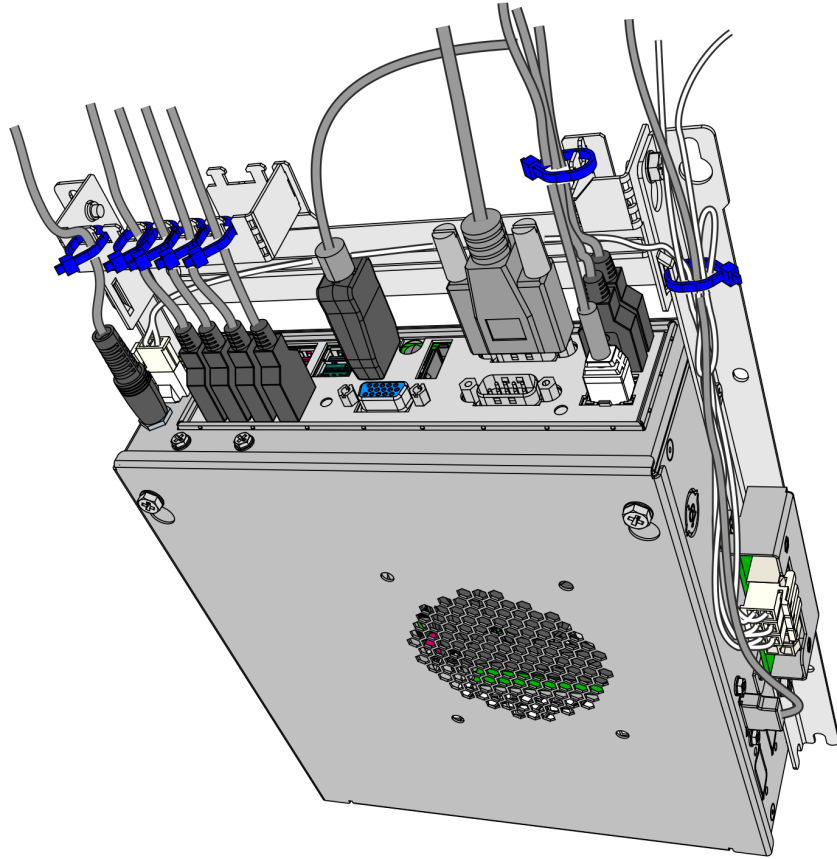


**Note:** Some device cables may not be present depending on the Kiosk configuration.

EBOX I/O Panel	Cable
USB 3.0 Ports	19-inch Touchscreen
	USB Mini Hub (from top Box USB Mini Hub)
LAN	LAN
RS 232 (COM 1)	Note Acceptor
USB 1	PIN Pads (IPP350, VX805/820) or UX300 MSR
USB 2	Barcode Scanner
USB 3	USB Camera Digitizer
USB 4	Trackball and Switch
Audio Out	Line Out (from MIDI MISC IF)
DC Power	DC distribution (from EBox Mini DC hub)



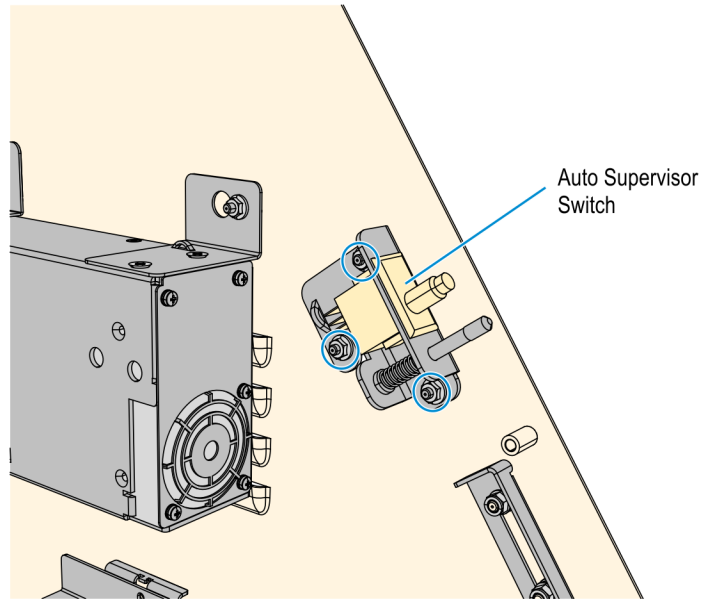
6. Tidy up and secure the cables using cable ties and the cable strain relief bracket.





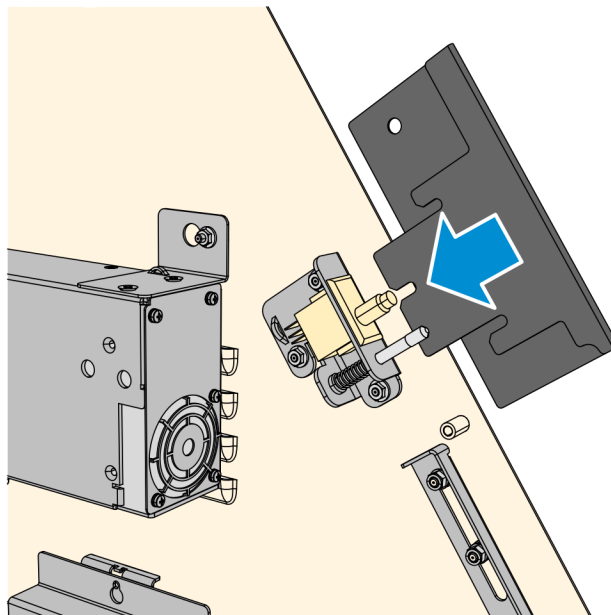
## Drilling the Handset Cable Access Hole

1. Loosen the nuts (3) and the Top Box Auto Supervisor Switch.



CCP-72048

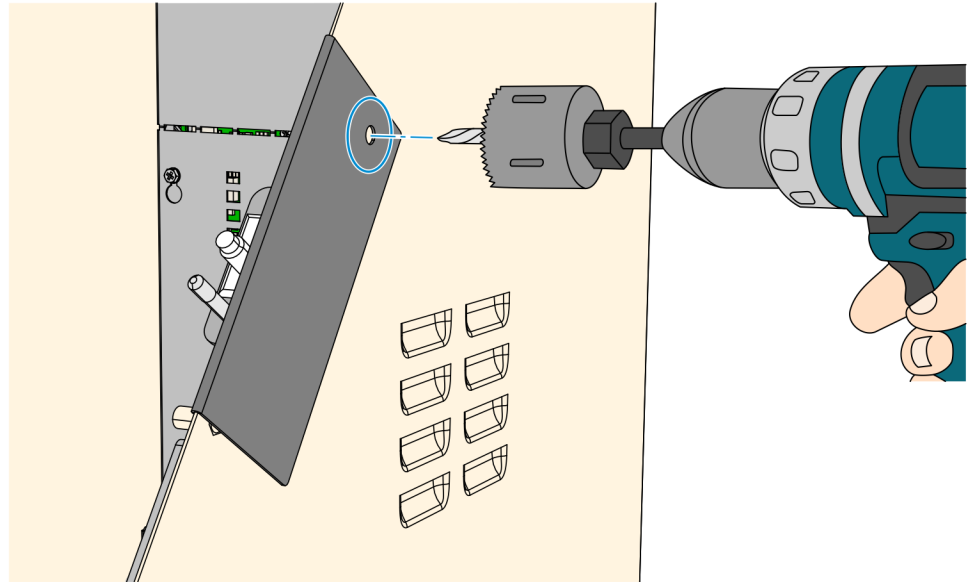
2. Mount the Drill Jig included in this kit on the mounting studs of the Auto Supervisor Switch and then tighten the nuts (3) to secure the switch and jig.



CCP-72049

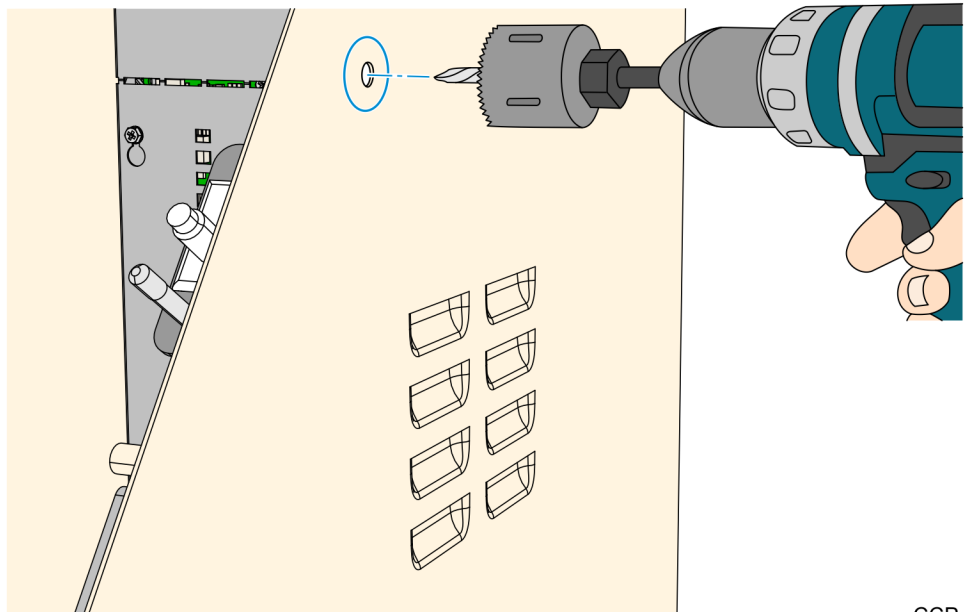
3. Mount the arbor and hole saw included in this kit on your drill.

4. With the Jig as a guide, drill a **6.35 mm (.25 in.)** hole using the arbor drill bit. This hole serves as the center mark to drill the handset cable access hole.



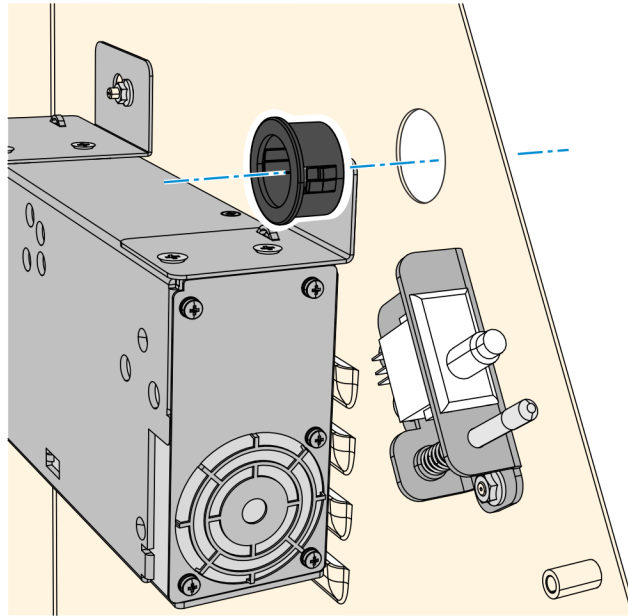
CCP-72050

5. Loosen the nuts (3) and Auto Supervisor Switch, then remove the Drill Jig.
6. With the drilled hole as the center mark, drill a **25 mm (.98 in.)** hole using the hole saw. This hole serves as the cable access hole for the Handset cable.



CCP-72051

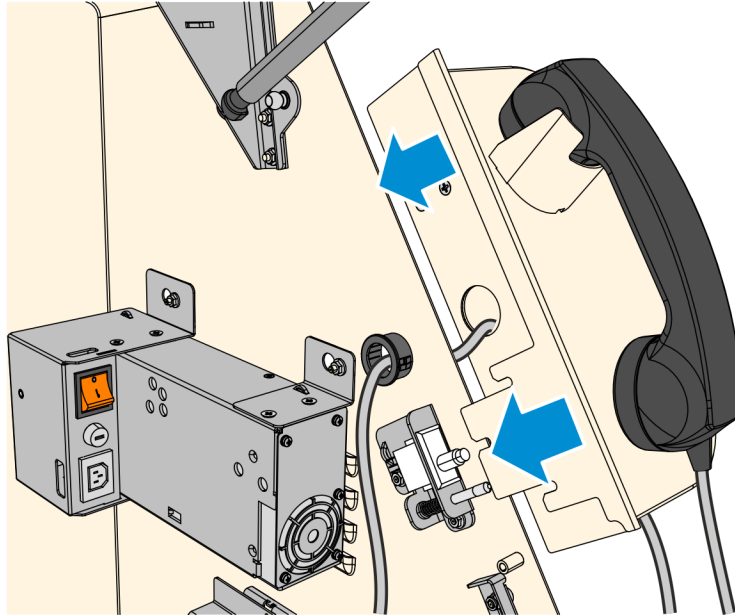
7. From inside the Top Box, partially insert the plastic grommet through the drilled hole to protect the handset cable.



CCP-72052

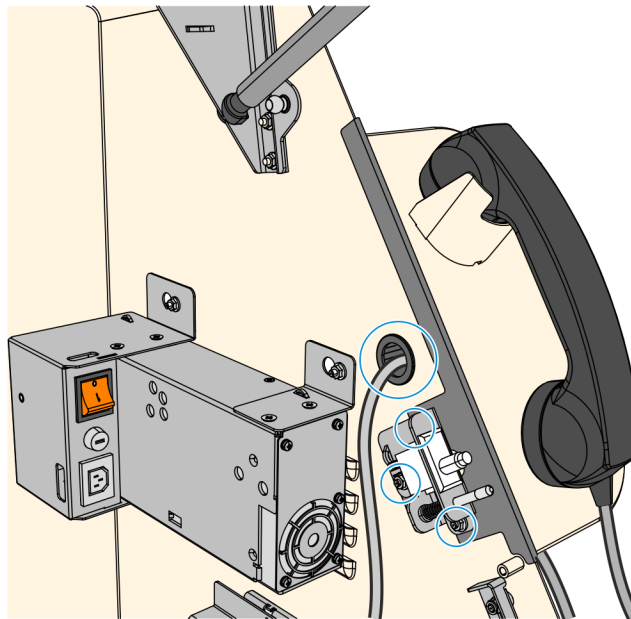
## Installing the Handset Assembly

1. Route the Handset Cable through access hole and hook the Adapter Bracket to the switch studs and cabinet edge.



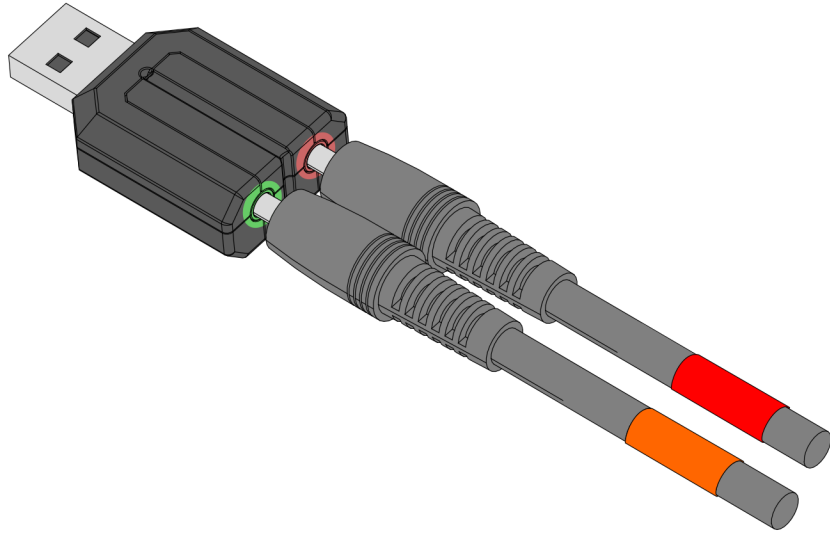
CCP-71690

2. Tighten the nuts (3) to secure the Auto-Supervisor switch and Telephone Handset Assembly, and then push the plastic grommet into the Handset Cradle to secure it.



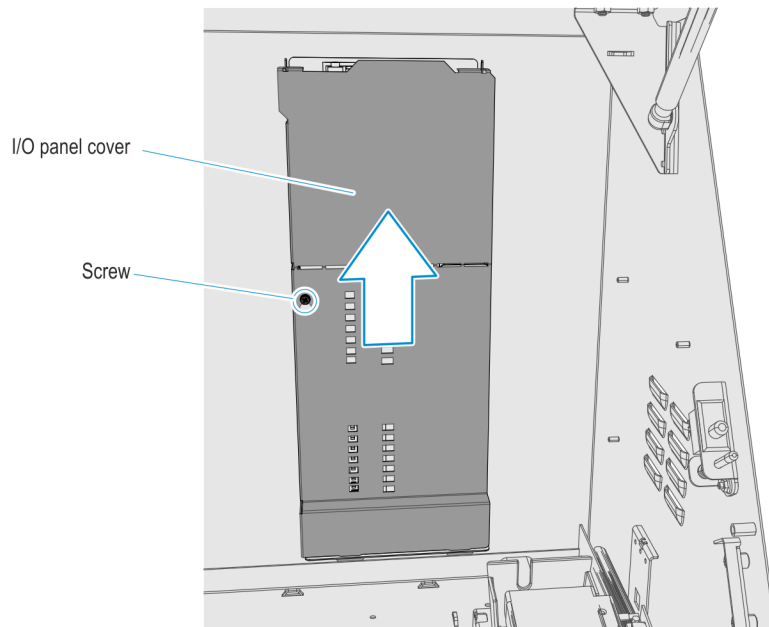
CCP-72054

3. Connect the Handset Cable Jacks to the USB Audio Adapter. Take note of the appropriate Headphone/Speaker and Mic connections.
  - connect the ORANGE handset cable to the GREEN headphone jack connector
  - connect the RED handset cable to the PINK microphone jack connector



CCP-71656

4. Remove the Top Box I/O Panel Cover. Loosen the screw that secures the I/O Panel Cover and then slide the I/O Panel Cover upwards to unhook and remove it.

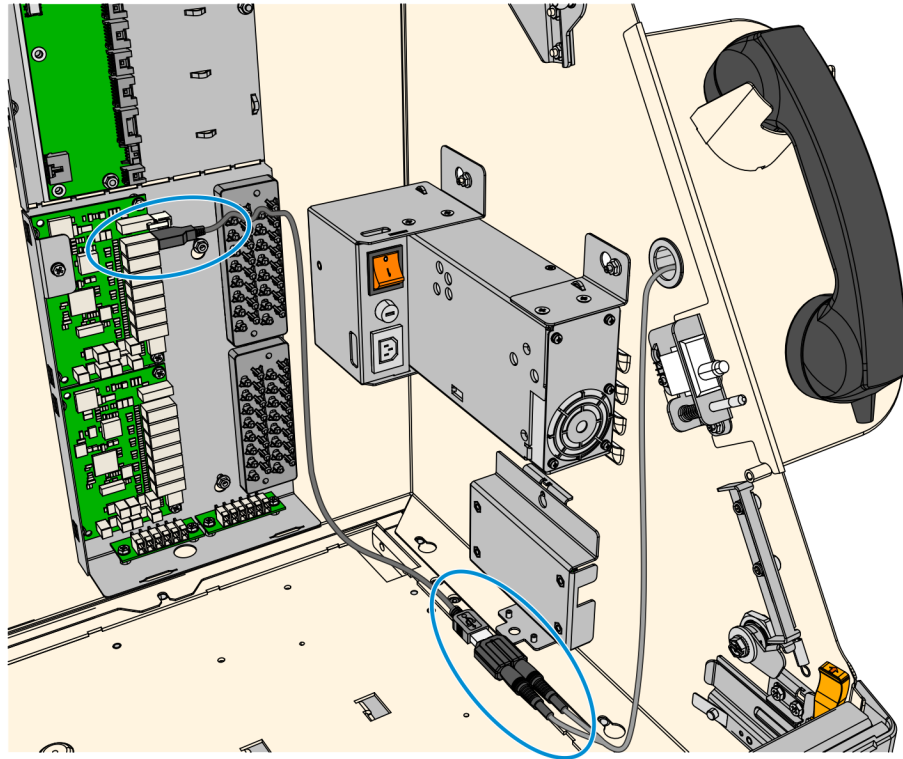


CCP-65089

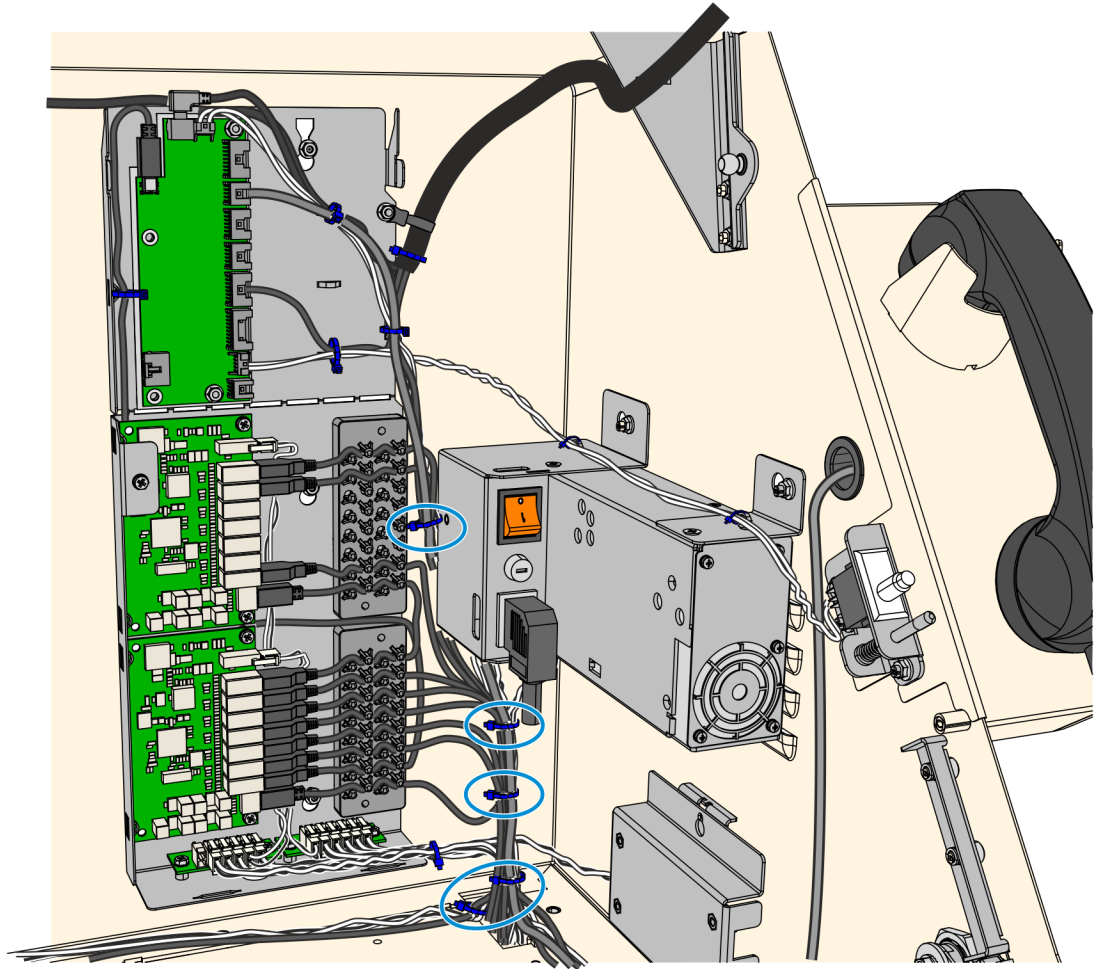
5. Use the USB Extension cable included in this kit to connect the Handset cable to the I/O PanelUSB Hub.
  - a. Connect the USB Extension cable receptacle to the Handset cable.
  - b. Connect the Type A connector of the extension cable to a free port on one of the I/O Panel USB Hubs. Use the cable strain relief to secure the cable on the Panel.



**Note:** Depending on the Kiosk configuration, some units may only have one USB hub and strain relief.



6. Tidy up the excess cable length together with the other I/O panel cables using cable ties as necessary.



CCP-72056

7. Mount the I/O Panel Cover and tighten the screw (1) to secure the cover.