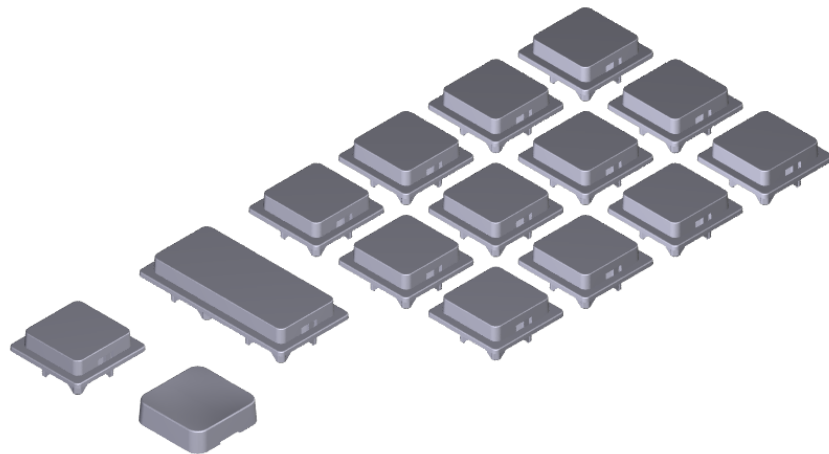


Kit Instructions

Numeric Keys for X-Series (2017) Keypad, 2-SHOT, Black (BLK7)



7703-K900
Issue A



The product described in this book is a licensed product of NCR Corporation.

NCR is a registered trademark of NCR Corporation. NCR RealPOS is a trademark of NCR Corporation in the United States and/or other countries. Other product names mentioned in this publication may be trademarks or registered trademarks of their respective companies and are hereby acknowledged.

The terms HDMI and HDMI High-Definition Multimedia Interface, and the HDMI Logo are trademarks or registered trademarks of HDMI Licensing LLC in the United States and other countries.

Where creation of derivative works, modifications or copies of this NCR copyrighted documentation is permitted under the terms and conditions of an agreement you have with NCR, NCR's copyright notice must be included.

It is the policy of NCR Corporation (NCR) to improve products as new technology, components, software, and firmware become available. NCR, therefore, reserves the right to change specifications without prior notice.

All features, functions, and operations described herein may not be marketed by NCR in all parts of the world. In some instances, photographs are of equipment prototypes. Therefore, before using this document, consult with your NCR representative or NCR office for information that is applicable and current.

To maintain the quality of our publications, we need your comments on the accuracy, clarity, organization, and value of this book. Please use the link below to send your comments.

Email: FD230036@ncr.com

Copyright © 2021
By NCR Corporation
Global Headquarters
864 Spring St NW
Atlanta, GA 30308
U.S.A.
All Rights Reserved

Revision Record

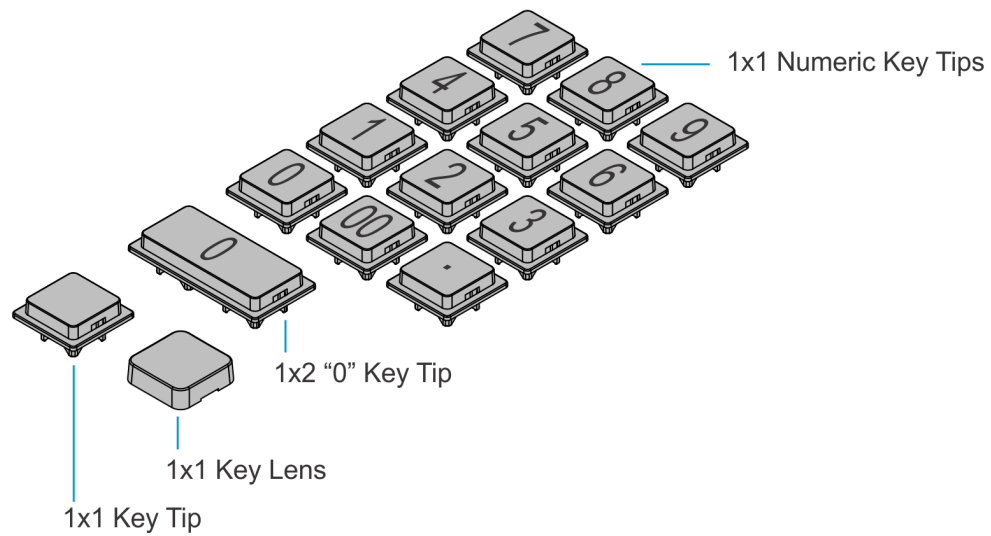
Issue	Date	Remarks
A	Feb 2021	First Issue

Numeric Keys for X-Series (2017) Keypad, 2-SHOT, Black (BLK7)

This kit contains Numeric Key Tips and a Lens for the 2017 X-Series Keypad (7702-F349/K349).

Kit Contents

Numeric Keys for X-Series (2017) Keypad, 2-SHOT, Black (BLK7)
497-0523249



CCP-79962

Procedure

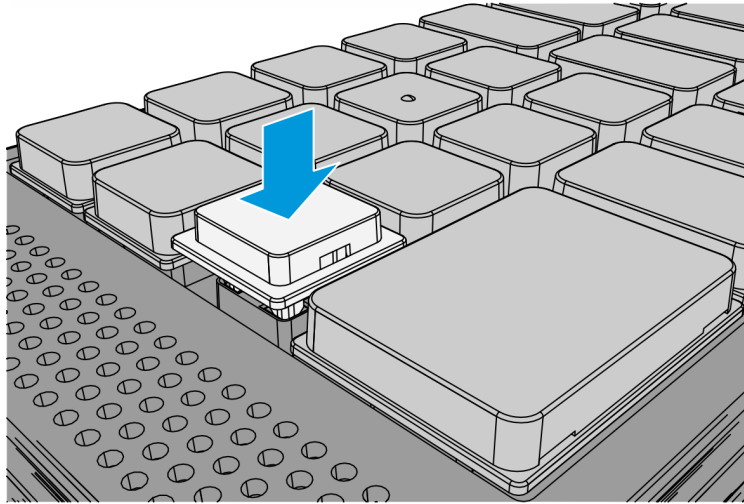
Key Tip

Installing a Key Tip

Place the Key Tip over its position on the keyboard and press the key until it snaps into place.



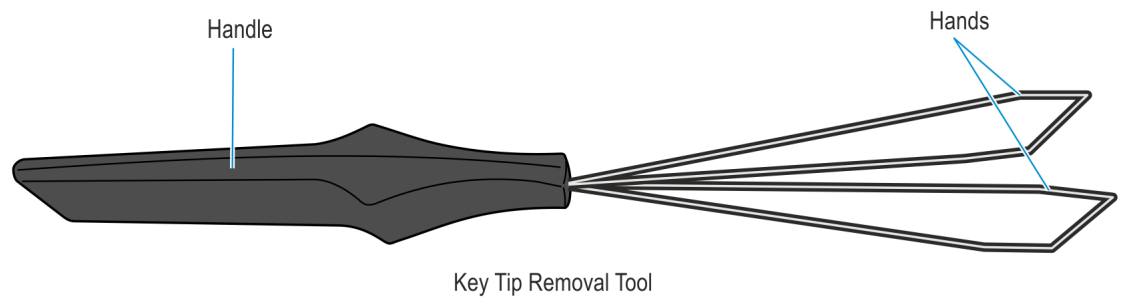
Note: For 1x1 Key Tips, the indentations must always be on the left and right sides.



CCP-72999

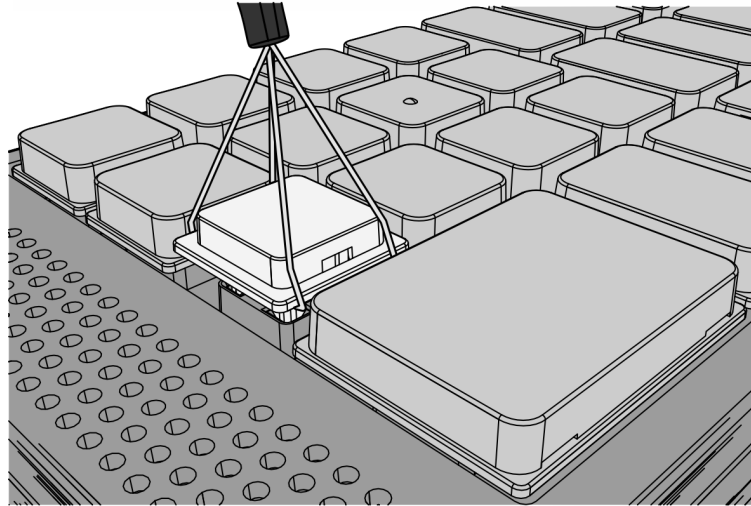
Removing a Key Tip

Use a Key Removal Tool to remove a Key Tip from the keyboard.



CCP-73158

Insert the hands of the removal tool under each side of the Key Tip and carefully pull the tool upward until the Key Tip pops off its retainer clips.



CCP-73900

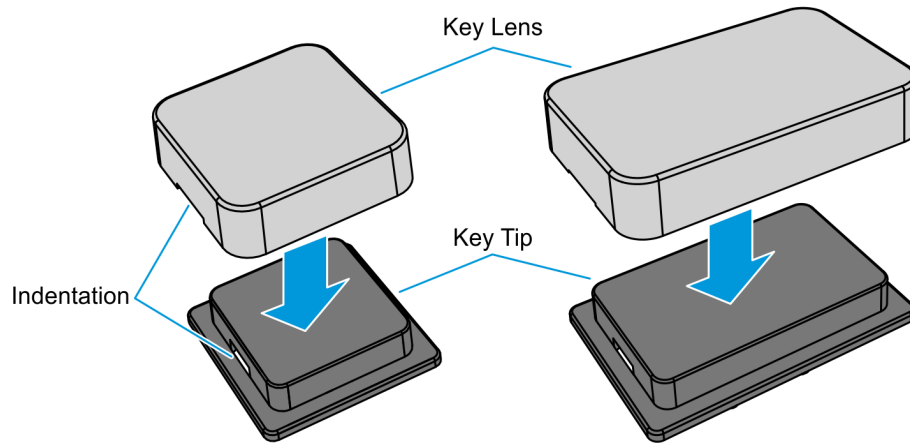
Key Lens

Installing a Key Lens

Position the Key Lens over the Key Tip and then gently press the lens until it snaps and locks into place.



Note: The snaps on the lens must be aligned with the indentations on the Key Tip.



CCP-72998

Removing the Key Lens

To remove the Key Lens, slide any thin object under the corner of the Key Lens and gently pop it off the Key Tip.