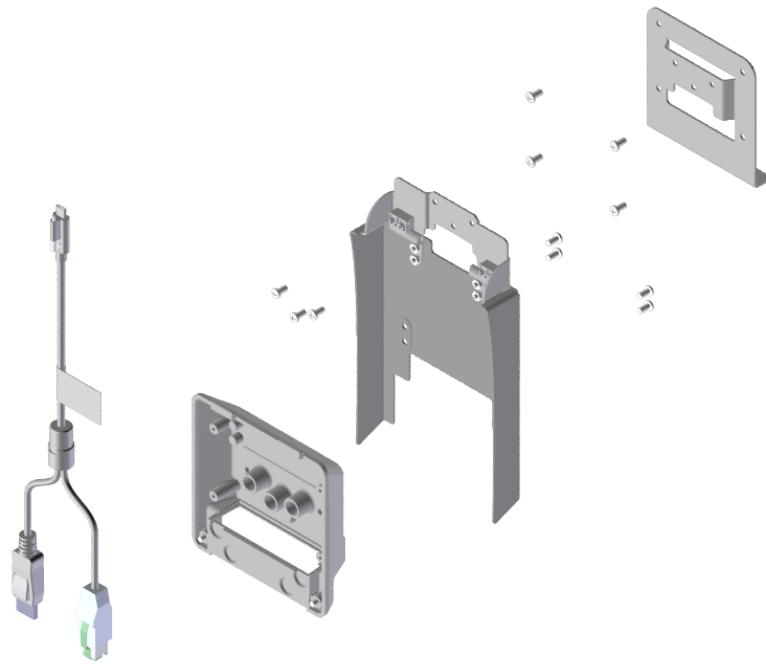


Kit Instructions

XL7 High Mount, BLK7



7703-K491
Issue A



The product described in this book is a licensed product of NCR Corporation.

NCR is a registered trademark of NCR Corporation. NCR RealPOS is a trademark of NCR Corporation in the United States and/or other countries. Other product names mentioned in this publication may be trademarks or registered trademarks of their respective companies and are hereby acknowledged.

The terms HDMI and HDMI High-Definition Multimedia Interface, and the HDMI Logo are trademarks or registered trademarks of HDMI Licensing LLC in the United States and other countries.

Where creation of derivative works, modifications or copies of this NCR copyrighted documentation is permitted under the terms and conditions of an agreement you have with NCR, NCR's copyright notice must be included.

It is the policy of NCR Corporation (NCR) to improve products as new technology, components, software, and firmware become available. NCR, therefore, reserves the right to change specifications without prior notice.

All features, functions, and operations described herein may not be marketed by NCR in all parts of the world. In some instances, photographs are of equipment prototypes. Therefore, before using this document, consult with your NCR representative or NCR office for information that is applicable and current.

To maintain the quality of our publications, we need your comments on the accuracy, clarity, organization, and value of this book. Please use the link below to send your comments.

Email: FD230036@ncr.com

Copyright © 2021
By NCR Corporation
Global Headquarters
864 Spring St NW
Atlanta, GA 30308
U.S.A.
All Rights Reserved

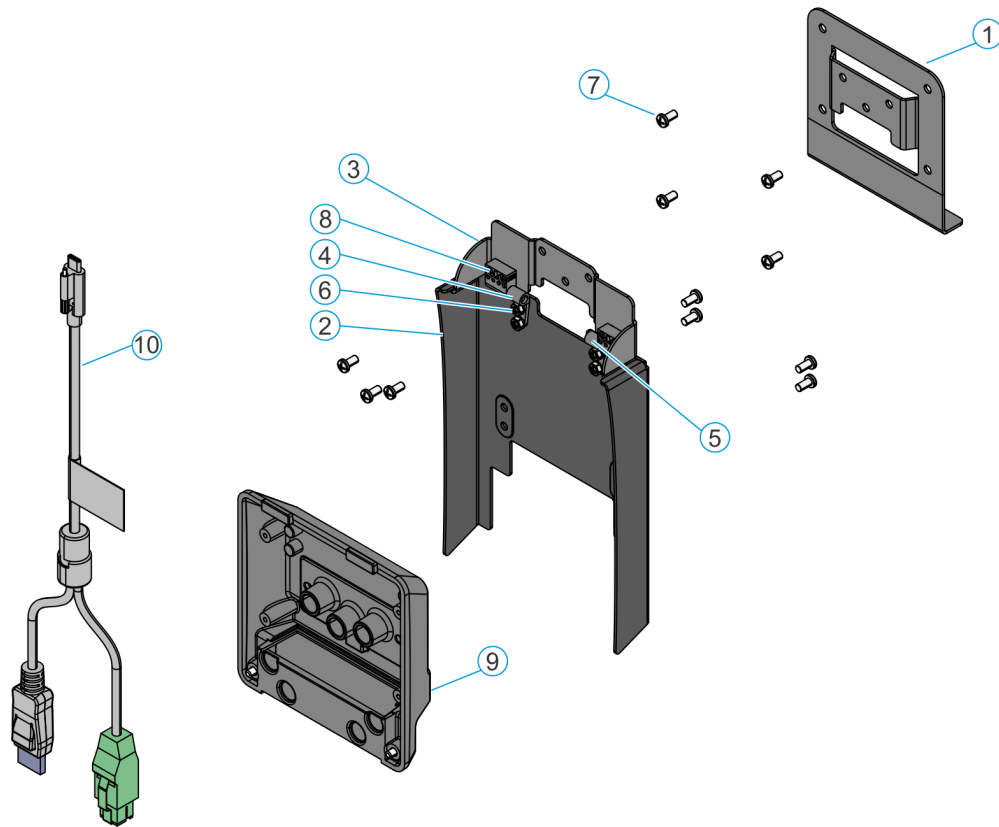
Revision Record

Issue	Date	Remarks
A	Mar 2021	First Issue

XL7 High Mount, BLK7

This kit contains the components to mount an XL7 high mount customer display to an NCR XR7 Plus POS (7703) on an X-Series Stand (7702-F031/K031).

Kit Contents



CCP-79995

Item	Part Number	Description
1	497-0519731	Bracket - Adapter, Swivel High Mount, XL7
2	497-0519729	Bracket - High Mount, Base
3	497-0519730	Bracket - Display Mount, Swivel
4	006-8626618	Hinge Assembly, ST-7A, Type A
5	006-8626619	Hinge Assembly, ST-7A, Type B
6	006-8611456	Nut - Keps (4-40)

Item	Part Number	Description
7	006-8615964	Screw - M4x8, Machine, Phillips, Pan Head, Steel, Black
8	006-8625408	4-40 x 1/4 inch Steel with Clear Zinc Plating Fillister Head, Phillips Screw
9	497-0514376	Assembly, Serial Expansion Housing with Screws
10	497-0517925	Cable, Y, USBC to DP and USB 12V, 0.67m

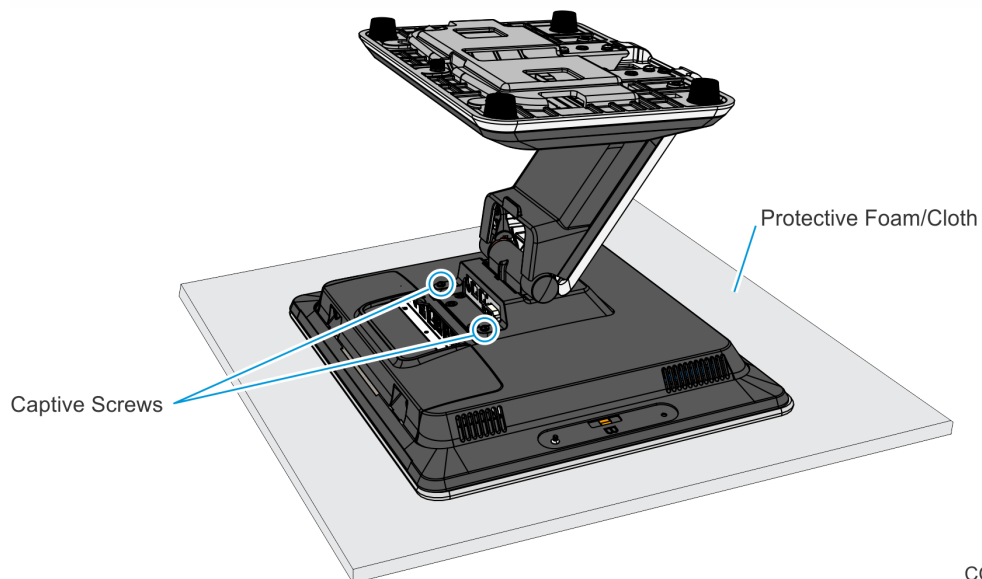
Installation Procedure

1. Remove the Stand.
 - a. Lay the terminal face down on a flat surface.



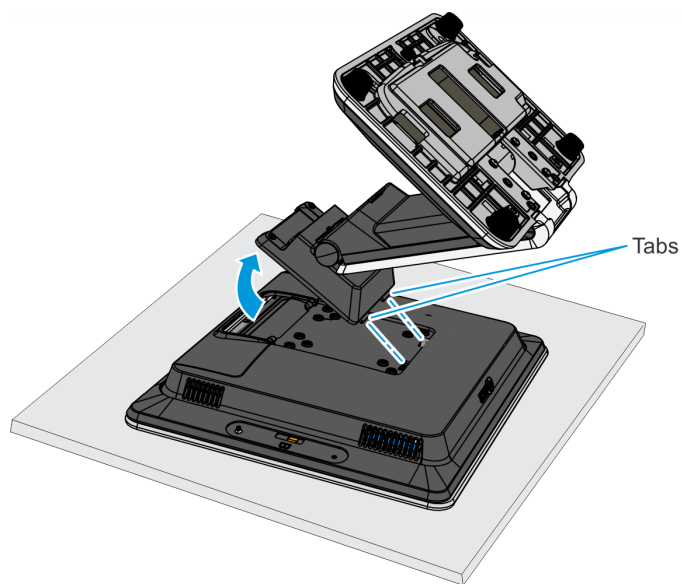
Caution: Always use a soft material (cloth, foam) to protect the display screen when placing the terminal face down.

- b. Remove the two (2) captive screws that secure the Stand to the terminal.



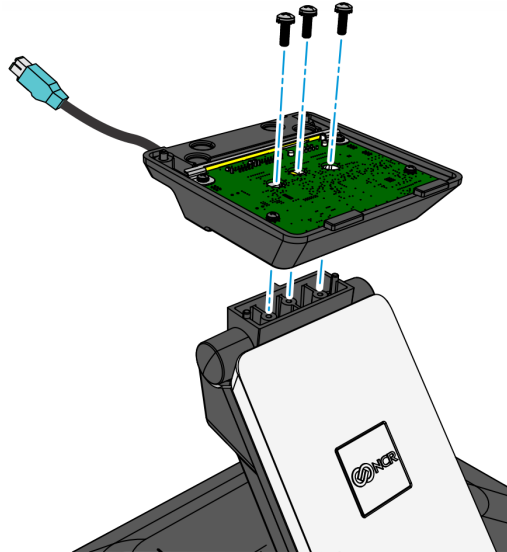
CCP-72352

- c. Rotate the Stand away from the Back Housing as shown below to unhook the tabs.



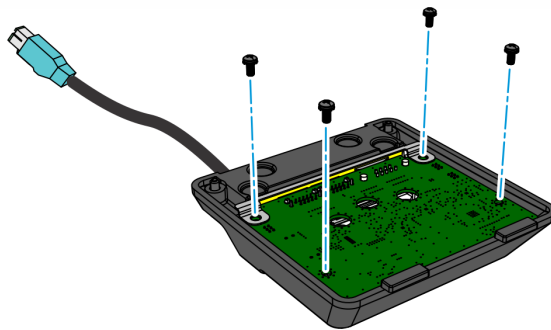
CCP-72353

2. Remove the existing Serial Expansion Housing.
 - a. Remove the Serial Expansion Module from the Stand (3 screws).



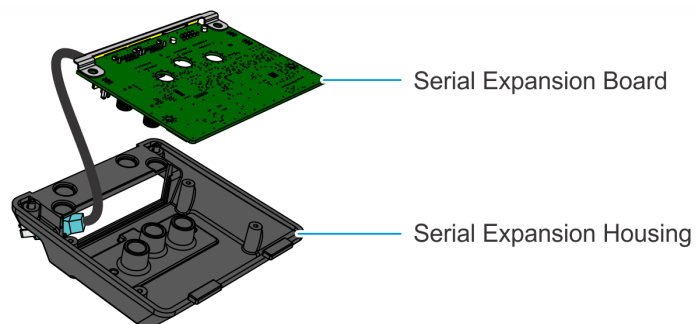
CCP-72355

- b. Remove the four (4) screws securing the Serial Expansion Board to the Serial Expansion Housing.



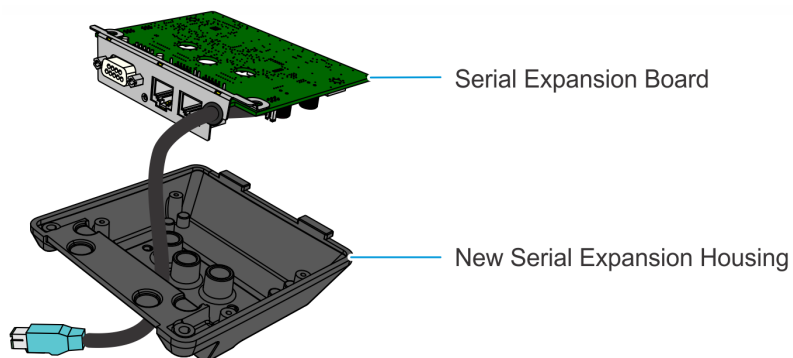
CCP-72359

- c. Remove the Serial Expansion Board from the Serial Expansion Housing.

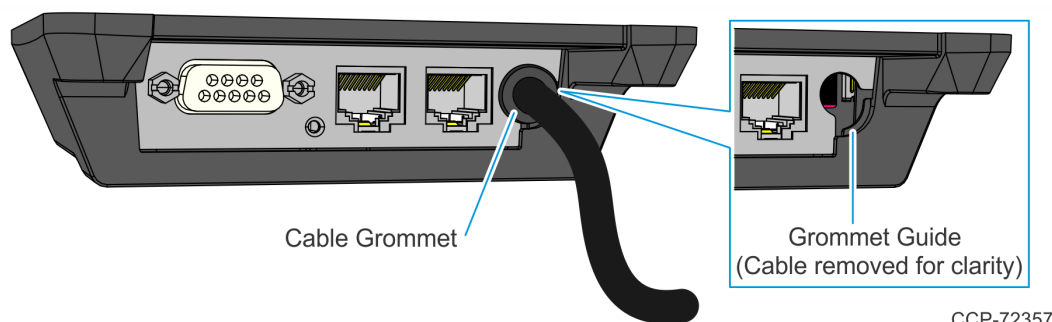


CCP-72356

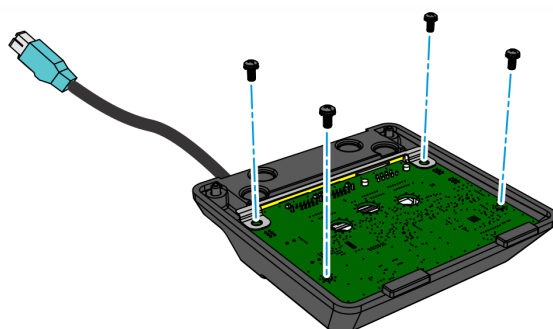
3. Install the new Serial Expansion Housing included in the kit.
 - a. Route the cable through the opening of the new Serial Expansion Housing (497-0514376) included in the kit .



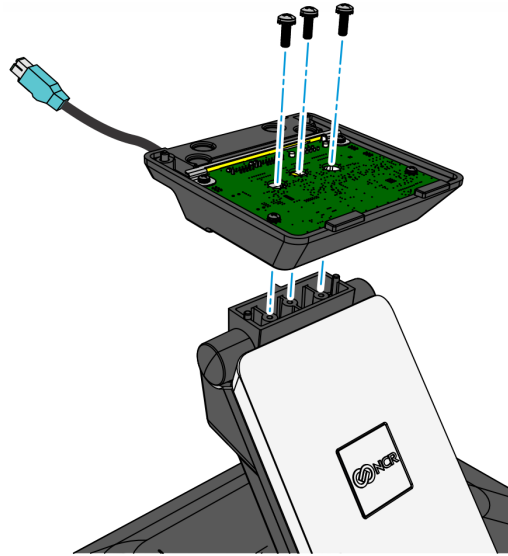
- b. Mount the Serial Expansion Board on the Serial Expansion Housing. Ensure the Cable Grommet is mounted on the grommet guide of the Serial Expansion Housing.



- c. Secure the Serial Expansion Board to the new Serial Expansion Housing (4 screws).

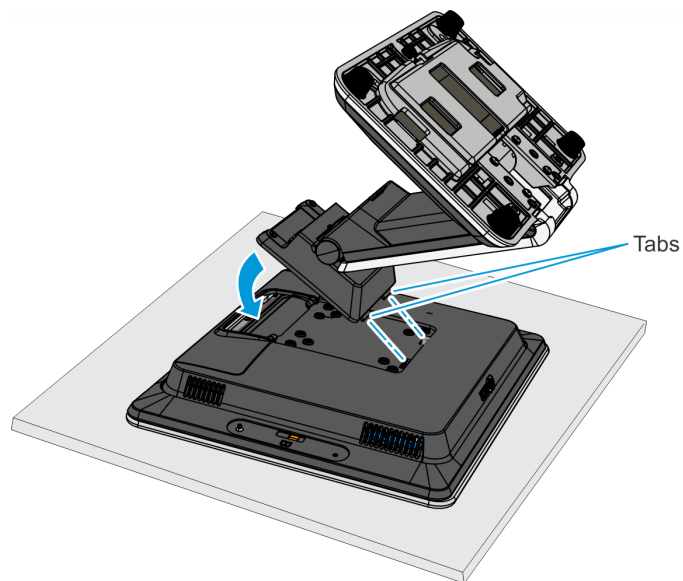


- d. Install the Serial Expansion Module to the Stand (3 screws).



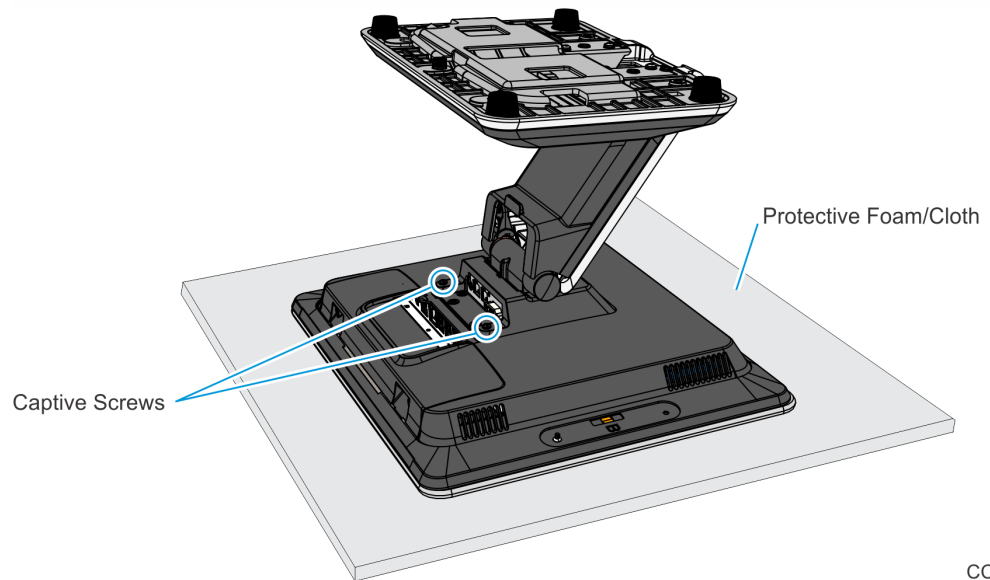
CCP-72355

4. Reinstall the Stand.
 - a. Insert the Serial Expansion Housing Tabs into the openings in the Back Housing and rotate the Stand downward.



CCP-72354

- b. Secure the stand to the terminal using two (2) captive screws.



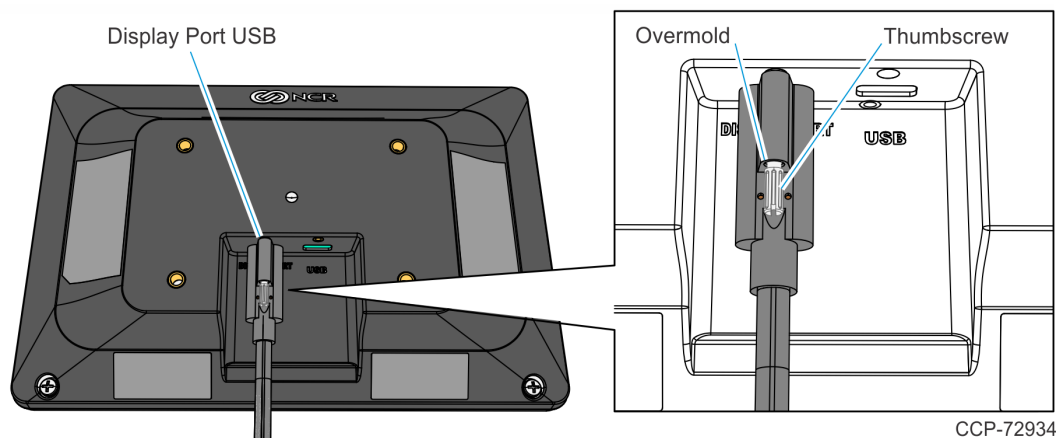
CCP-72352

5. Install the XL7 Customer Display on the Mounting Bracket Assembly.

- a. Connect the USB end of the Display Cable to the back of the XL7 Display. Tighten the thumbscrew.

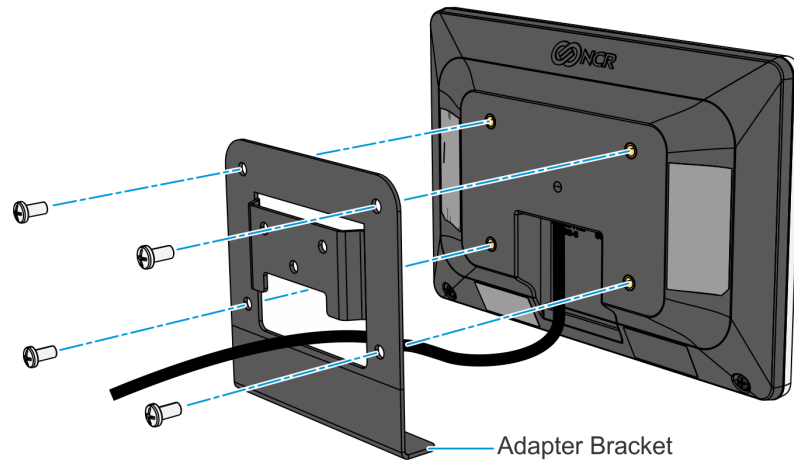


Note: Avoid overtightening the thumbscrew by turning it only until the silver knurled portion touches the black plastic overmold. Overtightening the thumbscrew damages the connector on the board.



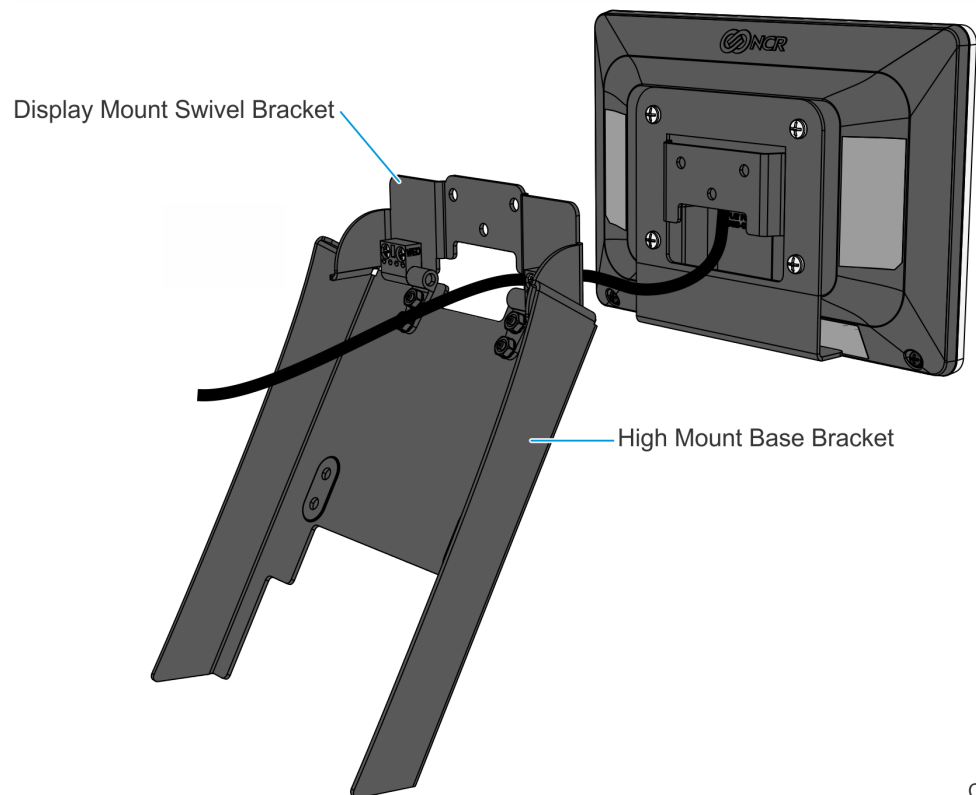
CCP-72934

- b. Route the Cable through the Adapter Bracket and install the Adapter Bracket on the back of the XL7 Display (4 screws).



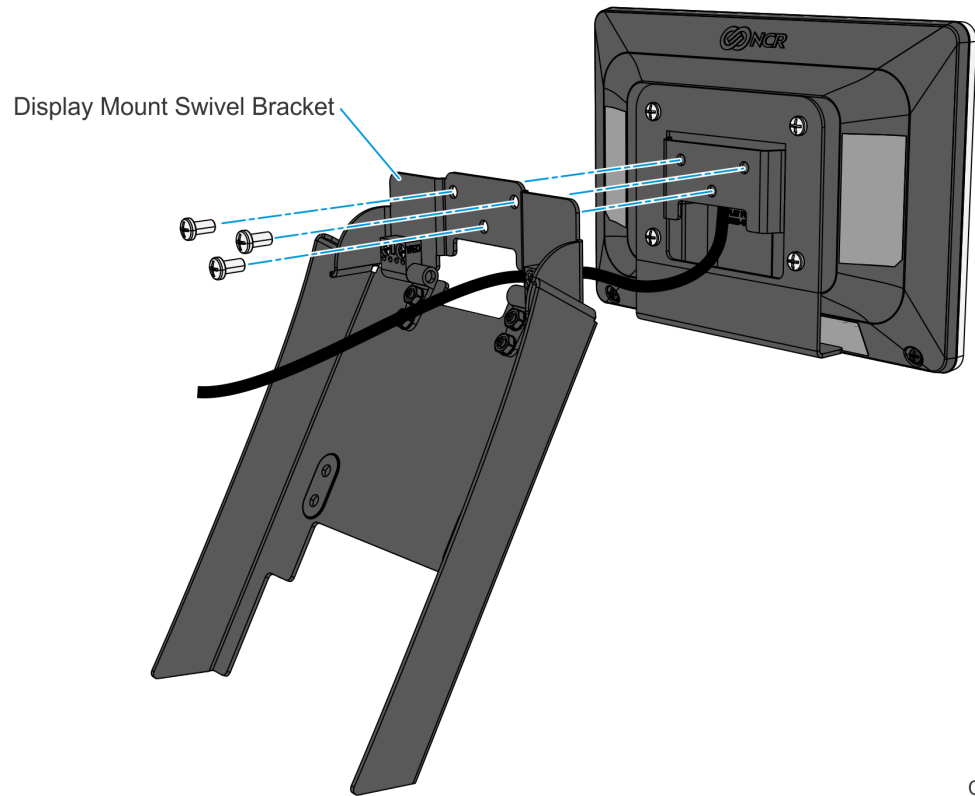
CCP-76513

- c. Route the Cable between the Display Mount Swivel Bracket and the High Mount Base Bracket.



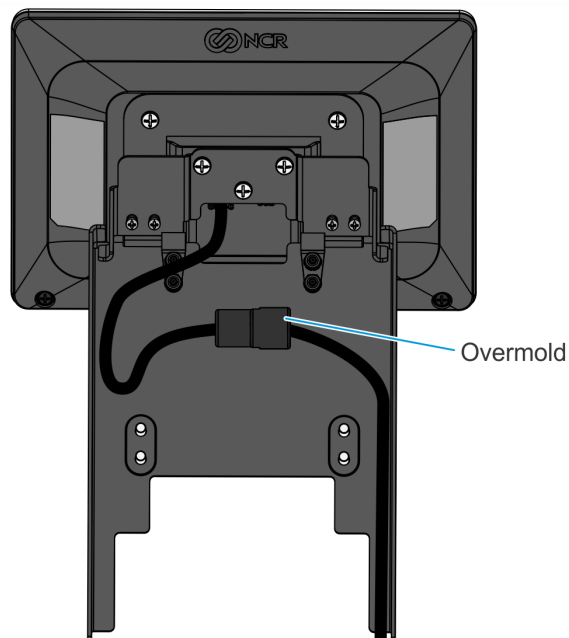
CCP-76514

- d. Attach the XL7 Display and Adapter Bracket Assembly on the Display Mount Swivel Bracket using three (3) screws.



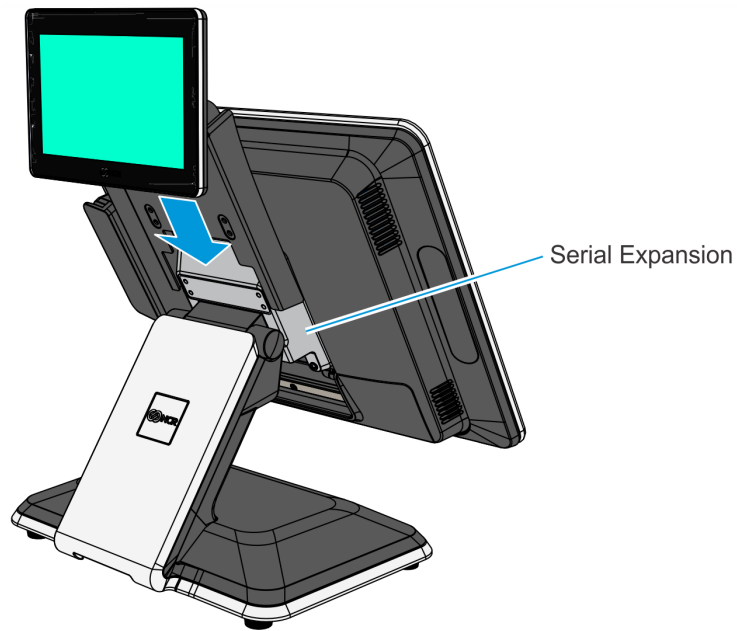
CCP-76515

6. Install the XL7 Display and Mounting Bracket Assembly.
 - a. Route the Cable with the overmold horizontal as shown.



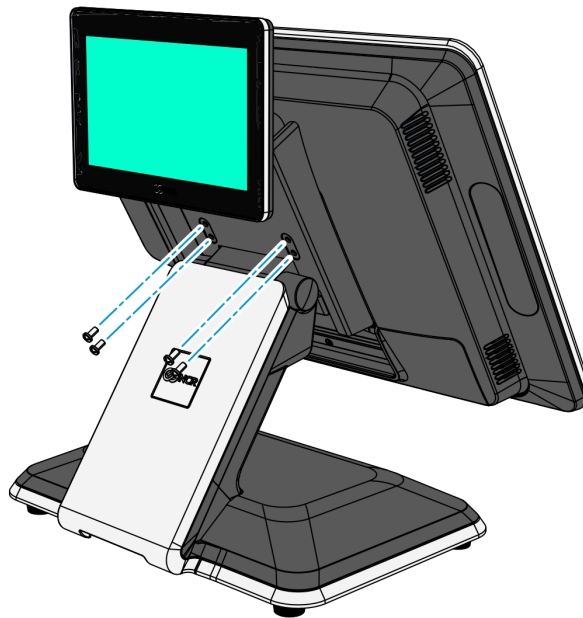
CCP-79996

- b. Slide the XL7 Display and Mounting Bracket Assembly over the Serial Expansion Housing of the terminal.



CCP-76517

- c. Secure the Assembly to the terminal using four (4) screws.



CCP-76518

- d. Pivot the terminal and open the cable cover.

- e. Connect the Y-Cable to the Display Port and 12V Powered USB connectors on the terminal.

