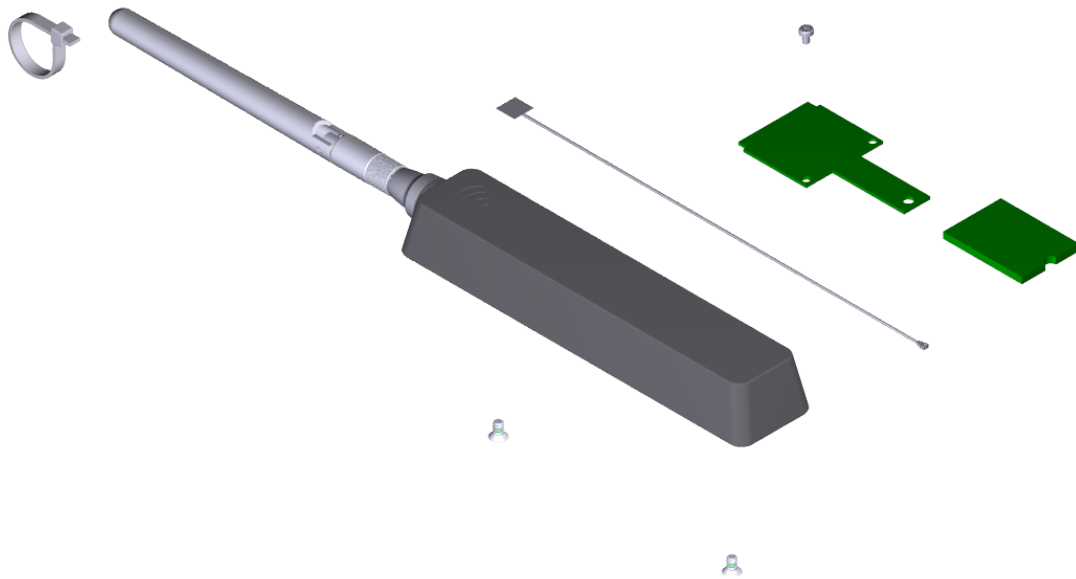


Kit Instructions

Wireless M.2 Card and Antenna



7703-K168
Issue A



The product described in this book is a licensed product of NCR Corporation.

NCR is a registered trademark of NCR Corporation. NCR RealPOS is a trademark of NCR Corporation in the United States and/or other countries. Other product names mentioned in this publication may be trademarks or registered trademarks of their respective companies and are hereby acknowledged.

The terms HDMI and HDMI High-Definition Multimedia Interface, and the HDMI Logo are trademarks or registered trademarks of HDMI Licensing LLC in the United States and other countries.

Where creation of derivative works, modifications or copies of this NCR copyrighted documentation is permitted under the terms and conditions of an agreement you have with NCR, NCR's copyright notice must be included.

It is the policy of NCR Corporation (NCR) to improve products as new technology, components, software, and firmware become available. NCR, therefore, reserves the right to change specifications without prior notice.

All features, functions, and operations described herein may not be marketed by NCR in all parts of the world. In some instances, photographs are of equipment prototypes. Therefore, before using this document, consult with your NCR representative or NCR office for information that is applicable and current.

To maintain the quality of our publications, we need your comments on the accuracy, clarity, organization, and value of this book. Please use the link below to send your comments.

Email: FD230036@ncr.com

Copyright © 2020
By NCR Corporation
Global Headquarters
864 Spring St NW
Atlanta, GA 30308
U.S.A.
All Rights Reserved

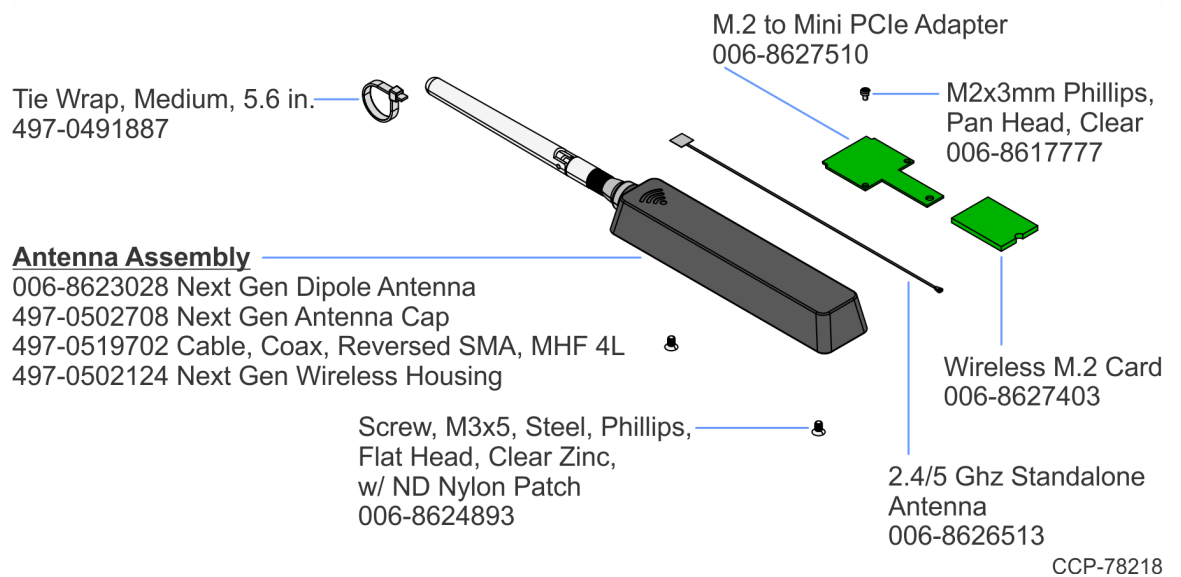
Revision Record

Issue	Date	Remarks
A	Jan 2020	First Issue

Wireless M.2 Card and Antenna

This kit provides the wireless network components for the NCR XR7 Plus POS (7703).

Kit Contents



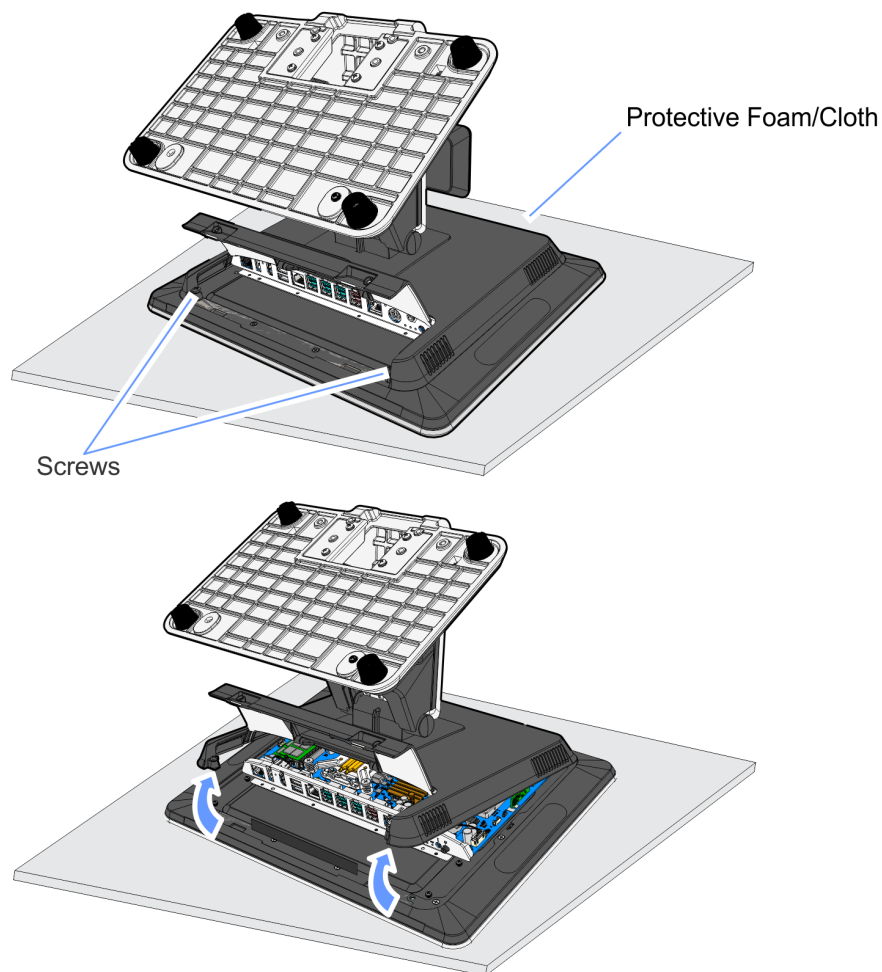
Installation Procedure

1. Lay the terminal face down on a flat surface.

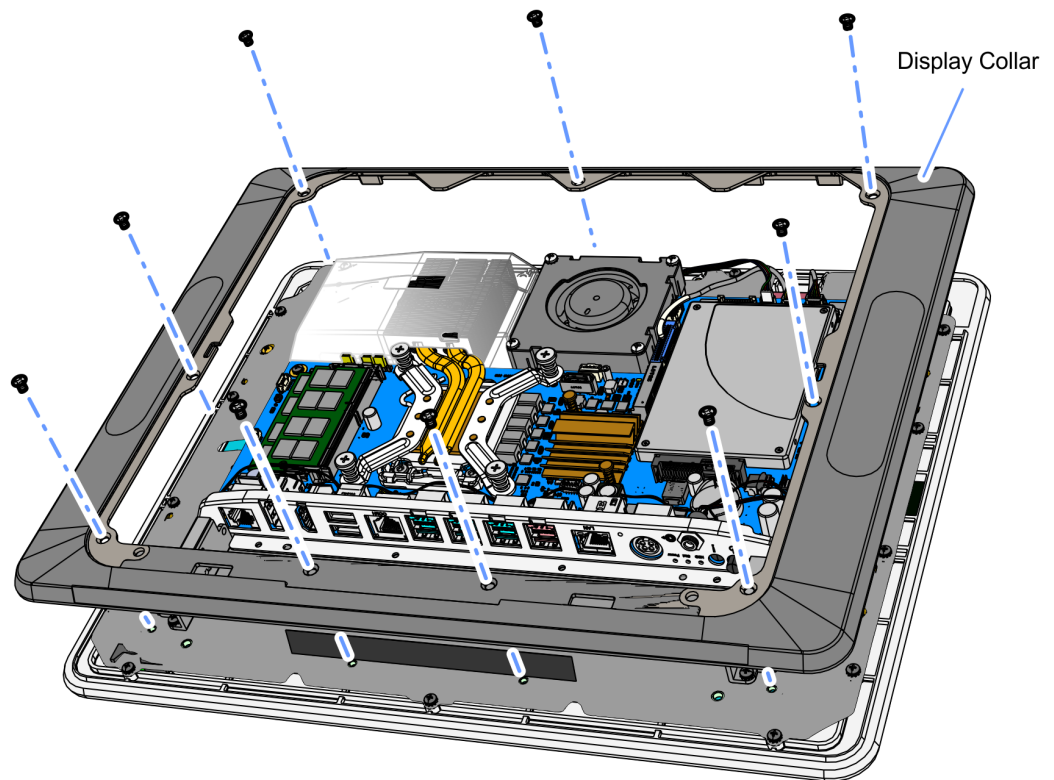


Caution: Always use a soft material (cloth, foam) to protect the display screen when placing the terminal face down.

2. Remove the Base Stand and Rear Cover assembly.
 - a. Loosen the captive screws (2) that secure the Rear Cover to the chassis.
 - b. Pivot the assembly as shown to remove it.



3. Remove the Display Collar (9 screws).



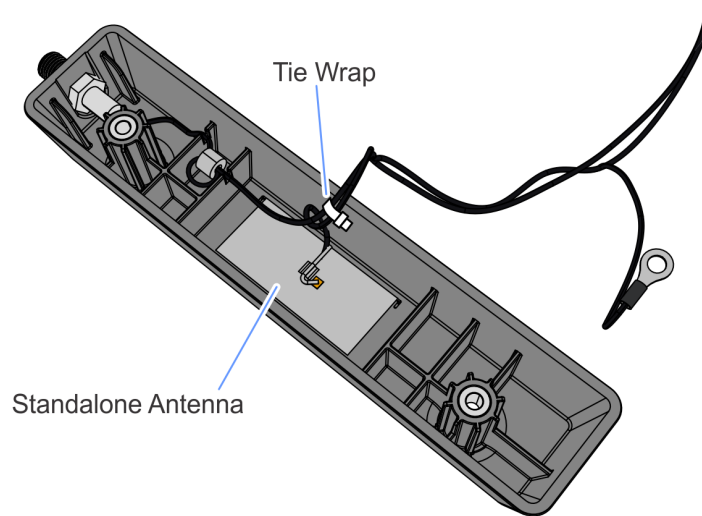
CCP-63096

4. Remove the Blank Plate from Port B (left side of terminal) of the Display Collar. The plate is connected to the Display Collar with a strong adhesive. Use care when removing it to not damage the Display Collar.



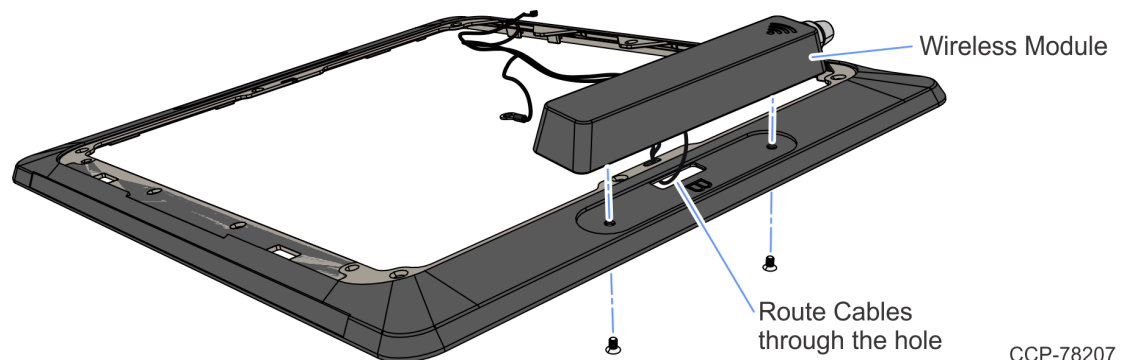
CCP-78206

5. Mount and secure the Standalone Antenna to the housing.
 - a. Remove the adhesive liner from the back of the Standalone Antenna.
 - b. Use the "L" shaped markers on the housing as a guide to mount the Antenna.
 - c. Position the Cables in the center of the housing and secure with a Tie Wrap.



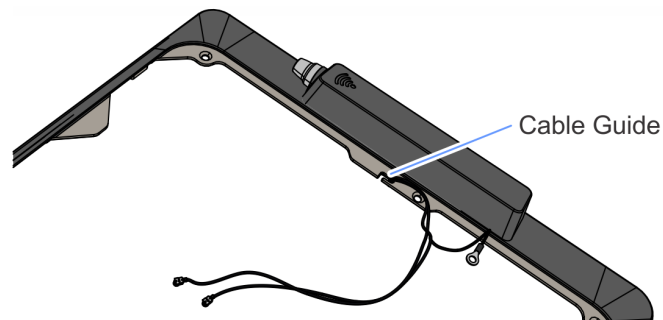
CCP-78219

6. Route the Cables through the hole in the Display Collar then install the Wireless Module onto the Collar (2 screws).



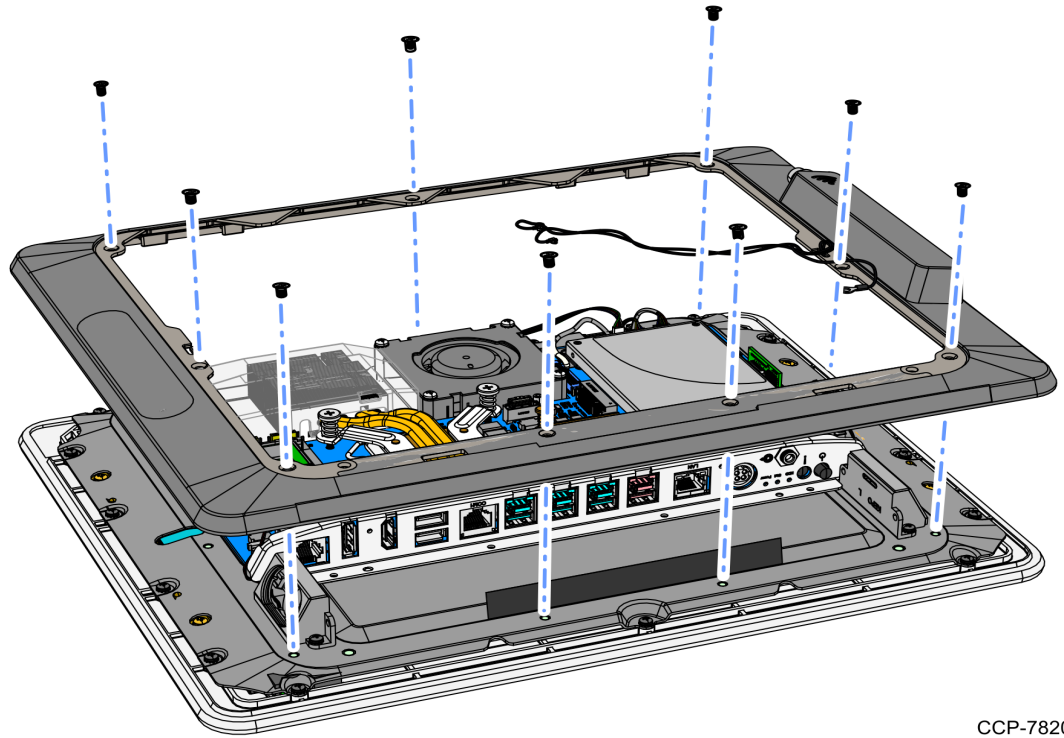
CCP-78207

7. Route the Cables through the Cable Guide on the Display Collar.



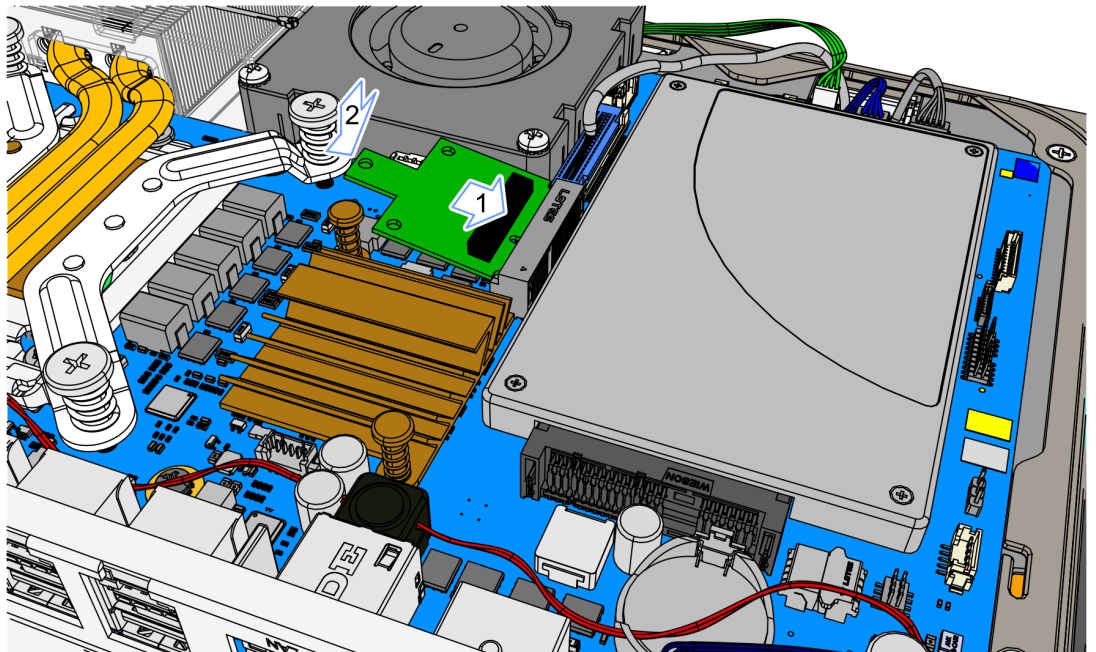
CCP-78208

8. Install the Display Collar onto the terminal.



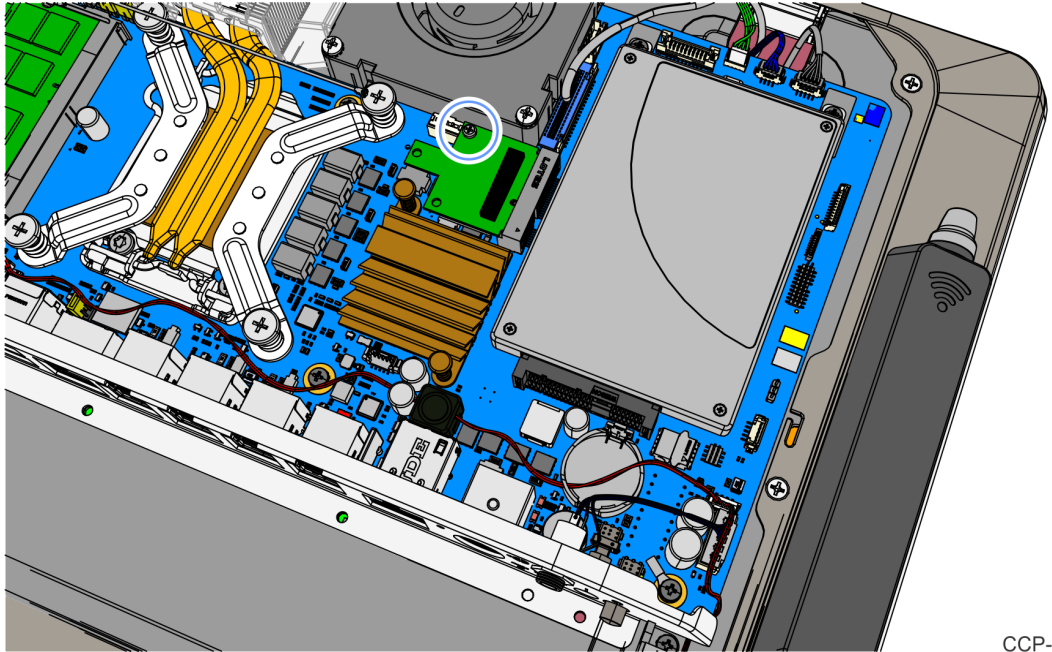
CCP-78205

9. Insert the Adapter at an angle into the Motherboard connector then slightly press it downward to align its mounting hole to the threaded stud on the Motherboard.



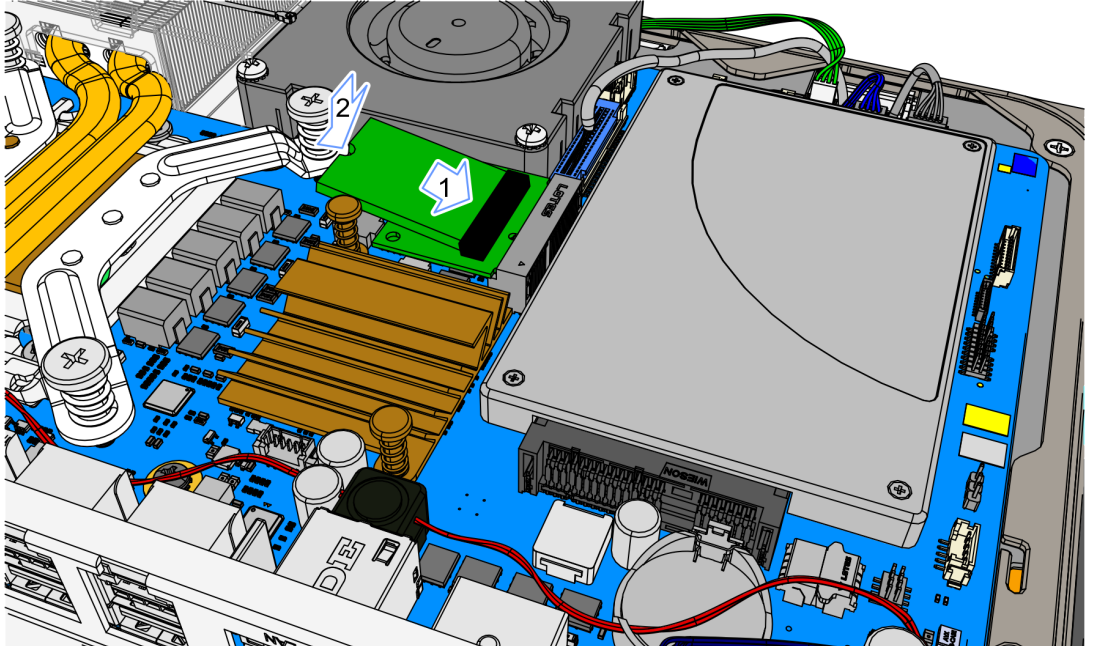
CCP-78216

10. Secure the Adapter to the Motherboard with a screw (1).



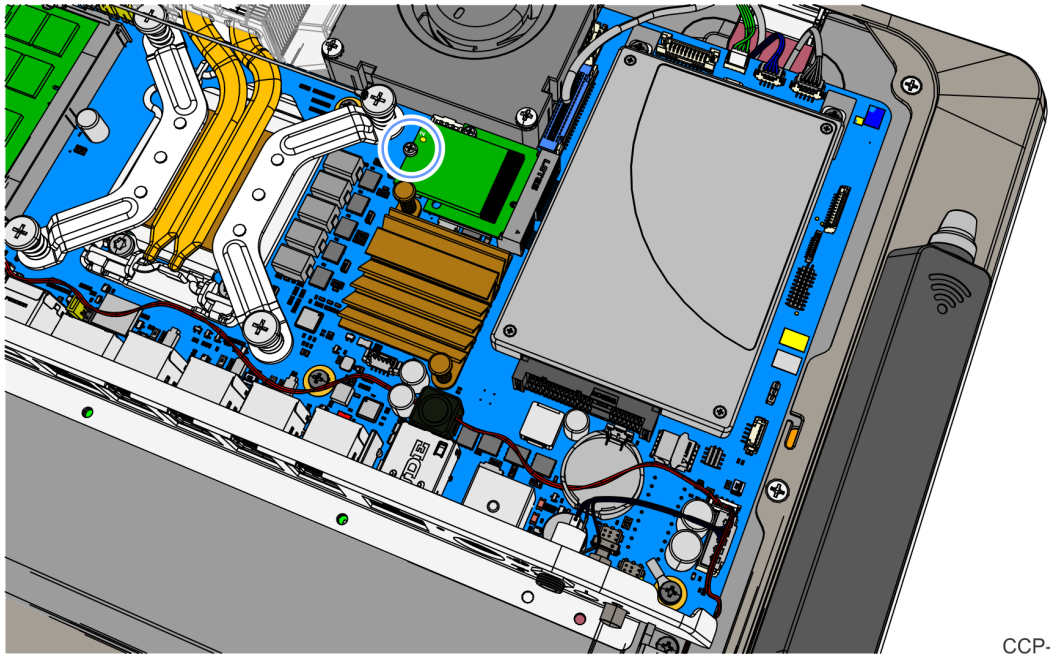
CCP-78213

11. Insert the Wireless M.2 Card at an angle into the Adapter connector, then slightly press the M.2 Card downward.



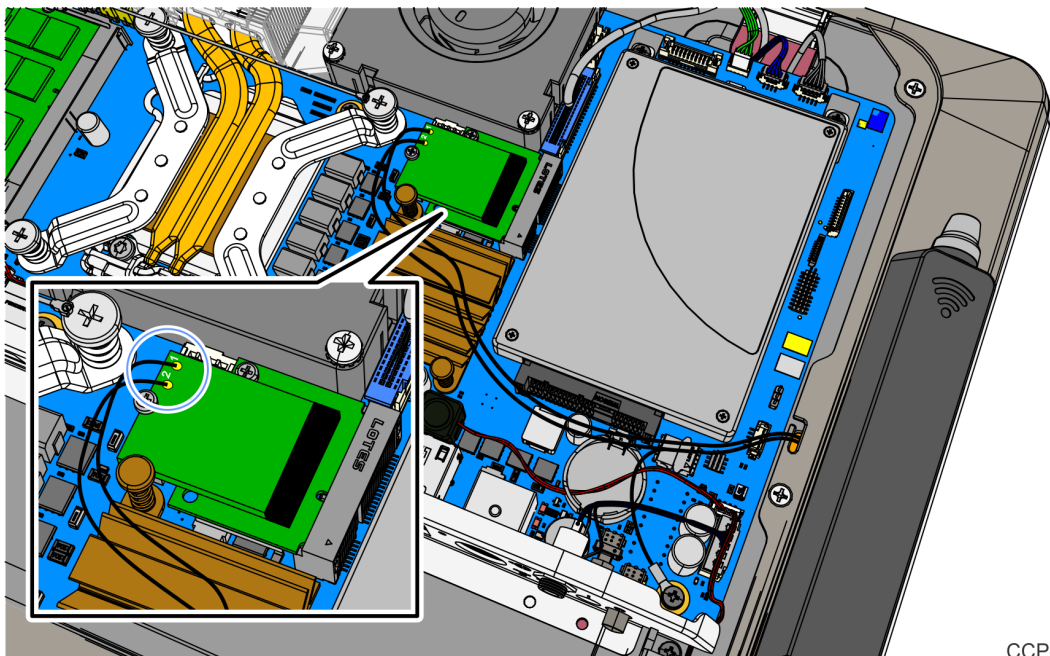
CCP-78215

12. Secure the Wireless M.2 Card with a screw (1).



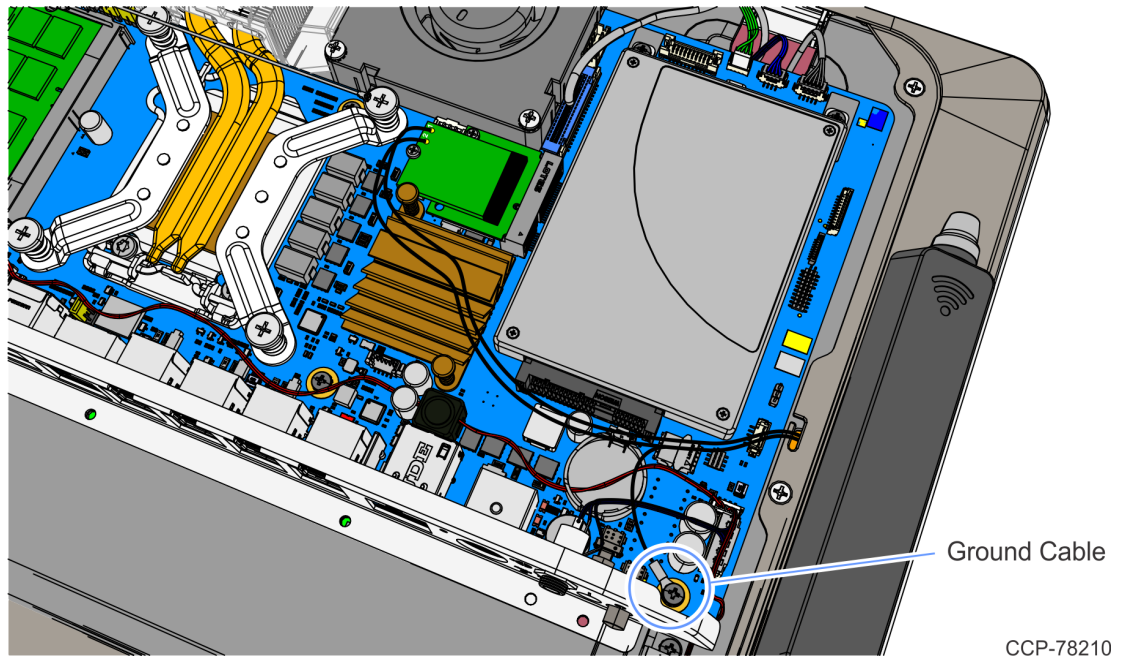
CCP-78212

13. Route and connect the Antenna Cables to the Wireless M.2 Card.
 - a. Connect the Dipole Antenna Cable to the "AUX" connector (connector 1) on the card.
 - b. Connect the Standalone Antenna Cable to the "MAIN" connector (connector 2) on the card.



CCP-78211

14. Connect the Ground Cable to the Motherboard.



15. Reinstall the Base Stand and Rear Cover assembly on the terminal.

Installing the Wireless Driver

The Wireless Driver install package is located in the following location in the NCR disk image.

```
c:\Install\Drivers\Wireless
```

Run the `Wireless[nn.n.n.n]win32.exe` file and follow the prompts to install the driver.

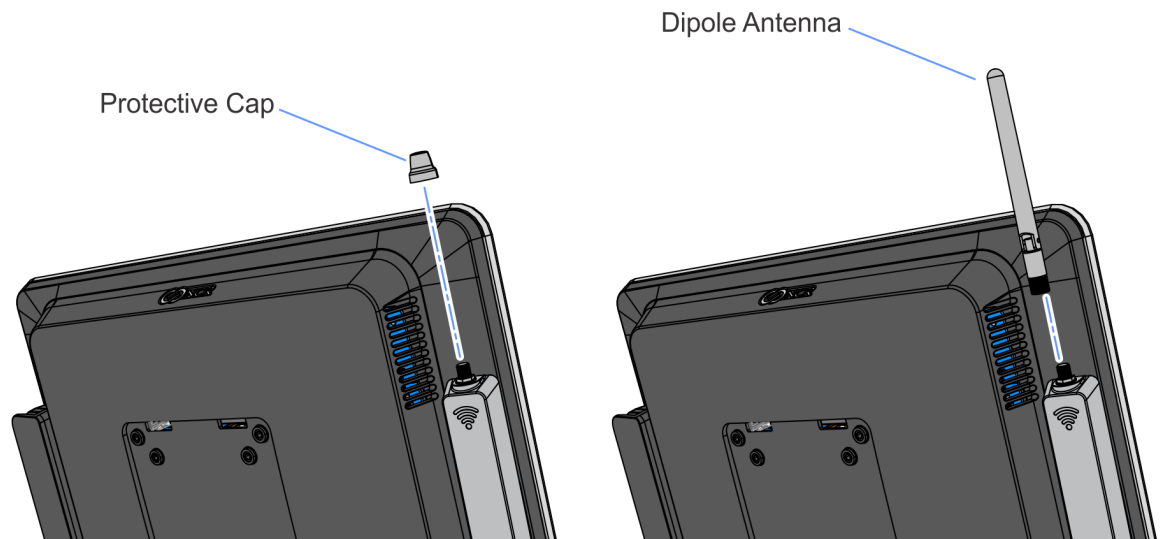
External Dipole Antenna



Note: The Wireless Module has an internal antenna and if reception is adequate the External Dipole Antenna is not required and not installed for cosmetic reasons.

Installing the Dipole Antenna

1. Unscrew the Protective Cap from the Wireless Module.
2. Screw the Dipole Antenna onto the Wireless Module.



CCP-78209

