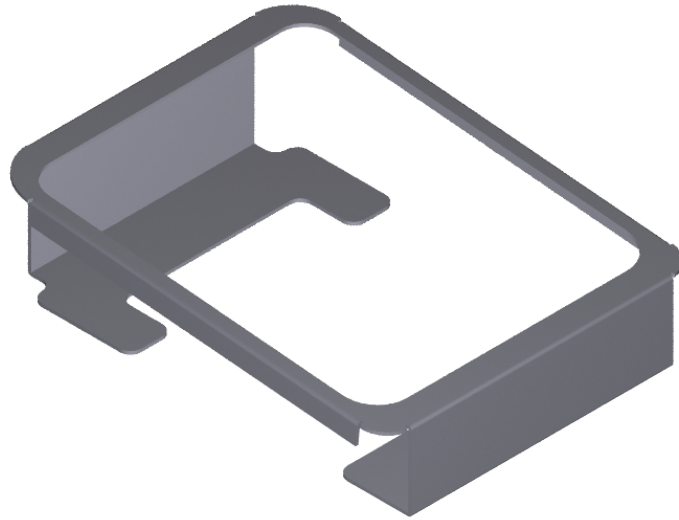


Kit Instructions

7702 Printer Spacer



7702-K980
Issue A



The product described in this document is a licensed product of NCR Corporation.

NCR is a registered trademark of NCR Corporation. NCR RealPOS is a trademark of NCR Corporation in the United States and/or other countries. Other product names mentioned in this publication may be trademarks or registered trademarks of their respective companies and are hereby acknowledged.

Where creation of derivative works, modifications or copies of this NCR copyrighted documentation is permitted under the terms and conditions of an agreement you have with NCR, NCR's copyright notice must be included.

It is the policy of NCR Corporation (NCR) to improve products as new technology, components, software, and firmware become available. NCR, therefore, reserves the right to change specifications without prior notice.

All features, functions, and operations described herein may not be marketed by NCR in all parts of the world. In some instances, photographs are of equipment prototypes. Therefore, before using this document, consult with your NCR representative or NCR office for information that is applicable and current.

To maintain the quality of our publications, we need your comments on the accuracy, clarity, organization, and value of this book. Please use the link below to send your comments.

Email: FD230036@ncr.com

Copyright © 2019
By NCR Corporation
Global Headquarters
864 Spring St NW
Atlanta, GA 30308
U.S.A.
All Rights Reserved

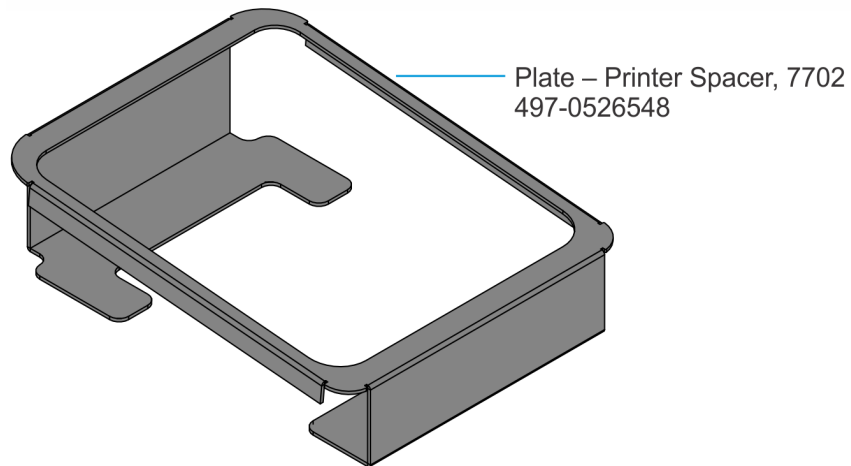
Revision Record

Issue	Date	Remarks
A	Oct 2019	First Issue

7702 Printer Spacer

This kit provides a Printer Spacer for the NCR XR7 POS (7702) Base Enclosure (7702-K975) .

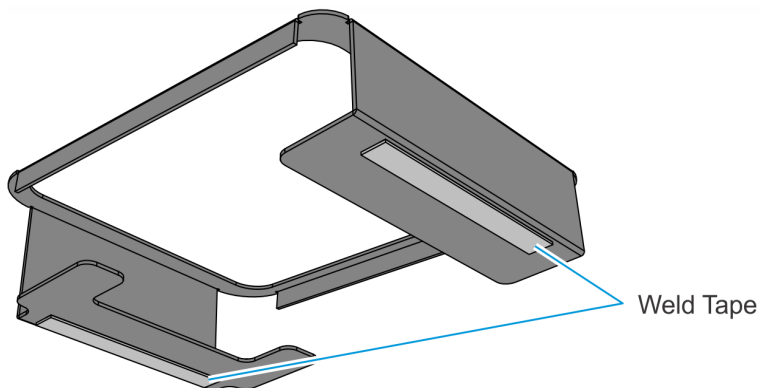
Kit Contents



CCP-77860

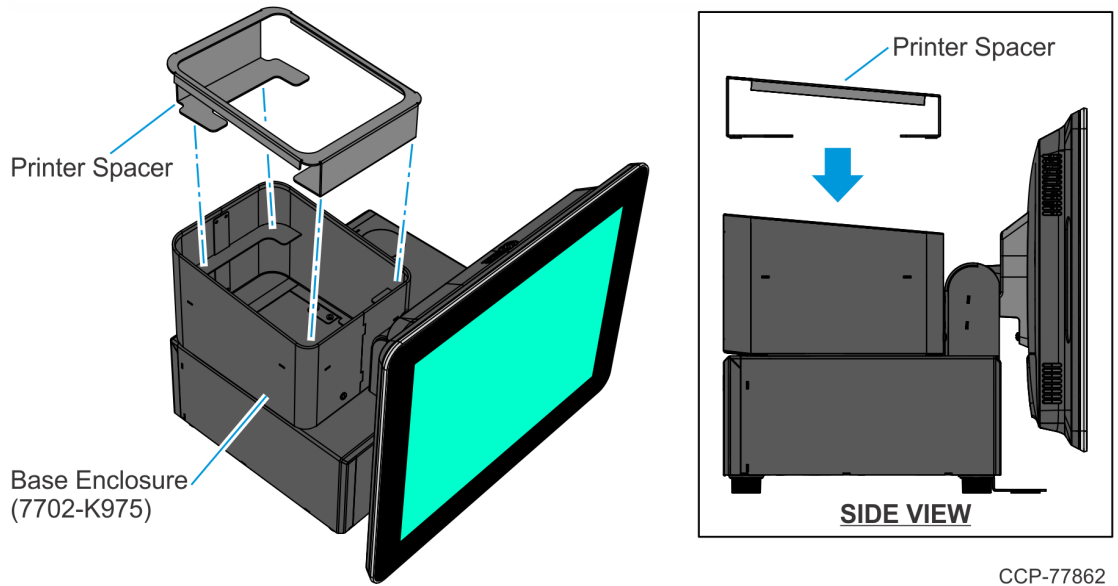
Installation Procedure

1. Remove the protective film from the Weld Tape on the bottom of the Printer Spacer.



CCP-77861

2. Install the Printer Spacer on the Base Enclosure (7702-K975). Ensure the Printer Spacer is correctly oriented as shown.



3. Place the Printer in the Printer Spacer recess.

