

Kit Instructions

2x20 Adjustable High Mount Display



7702-K490
Issue C



The product described in this book is a licensed product of NCR Corporation.

NCR is a registered trademark of NCR Corporation. NCR RealPOS is a trademark of NCR Corporation in the United States and/or other countries. Other product names mentioned in this publication may be trademarks or registered trademarks of their respective companies and are hereby acknowledged.

The terms HDMI and HDMI High-Definition Multimedia Interface, and the HDMI Logo are trademarks or registered trademarks of HDMI Licensing LLC in the United States and other countries.

Where creation of derivative works, modifications or copies of this NCR copyrighted documentation is permitted under the terms and conditions of an agreement you have with NCR, NCR's copyright notice must be included.

It is the policy of NCR Corporation (NCR) to improve products as new technology, components, software, and firmware become available. NCR, therefore, reserves the right to change specifications without prior notice.

All features, functions, and operations described herein may not be marketed by NCR in all parts of the world. In some instances, photographs are of equipment prototypes. Therefore, before using this document, consult with your NCR representative or NCR office for information that is applicable and current.

To maintain the quality of our publications, we need your comments on the accuracy, clarity, organization, and value of this book. Please use the link below to send your comments.

EMail: FD230036@ncr.com

Copyright © 2018–2019
By NCR Corporation
Global Headquarters
864 Spring St NW
Atlanta, GA 30308
U.S.A.
All Rights Reserved

Revision Record

Issue	Date	Remarks
A	Feb 2018	First Issue
B	Apr 2019	Added 006-8622686
C	Apr 2019	Added instructions for installing Serial Expansion Housing

2x20 Adjustable High Mount Display

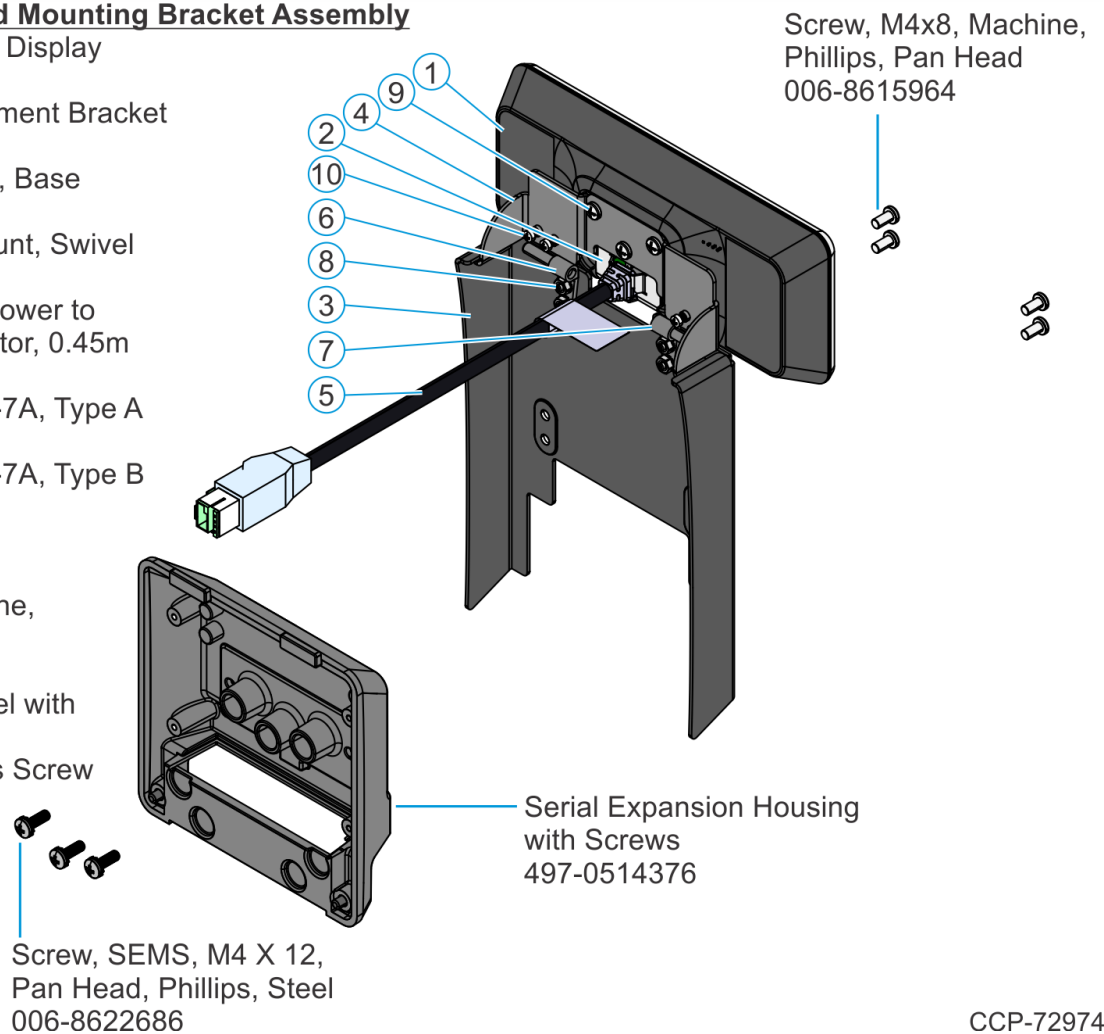
This kit contains the components to add a 2x20 adjustable tilt high mount customer display to any of the following terminals:

- NCR XR5 POS (7701)
- NCR XR7 POS (7702)
- NCR XR7 Plus POS (7703)

Kit Contents

Customer Display and Mounting Bracket Assembly

1. 2x20 LCD Customer Display
497-0503443
2. 2x20 Cable Management Bracket
445-0744459
3. Bracket, High Mount, Base
497-0519729
4. Bracket, Display Mount, Swivel
497-0519730
5. Cable, +12V USB+Power to
5977 Hirose Connector, 0.45m
497-0514185
6. Hinge Assembly, ST-7A, Type A
006-8626618
7. Hinge Assembly, ST-7A, Type B
006-8626619
8. Nut, Keps (4-40)
006-8611456
9. Screw, M4x8, Machine,
Phillips, Pan Head
006-8615964
10. 4-40 x 1/4 inch Steel with
Clear Zinc Plating
Fillister Head Phillips Screw
006-8625408



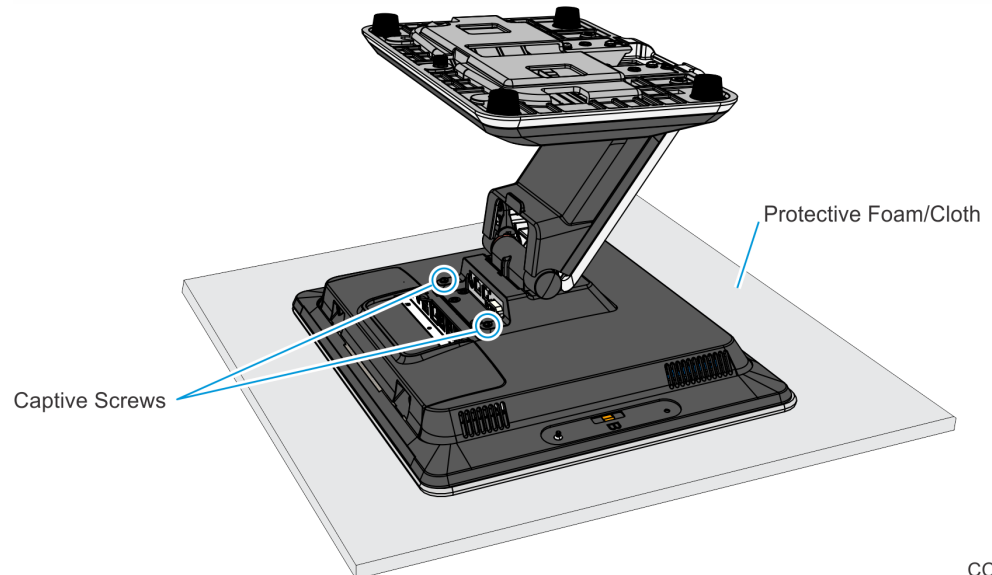
Installation Procedure

1. Remove the Stand.
 - a. Lay the terminal face down on a flat surface.



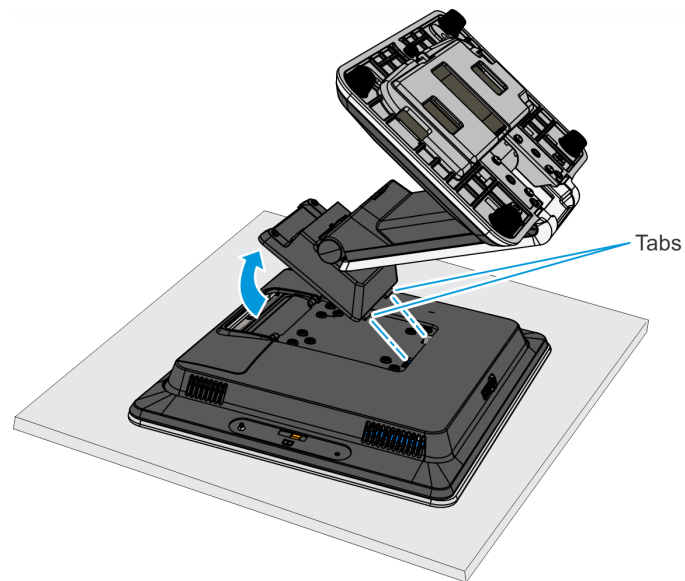
Caution: Always use a soft material (cloth, foam) to protect the display screen when placing the terminal face down.

- b. Remove the two (2) captive screws that secure the Stand to the terminal.



CCP-72352

- c. Rotate the Stand away from the Back Housing as shown below to unhook the tabs.

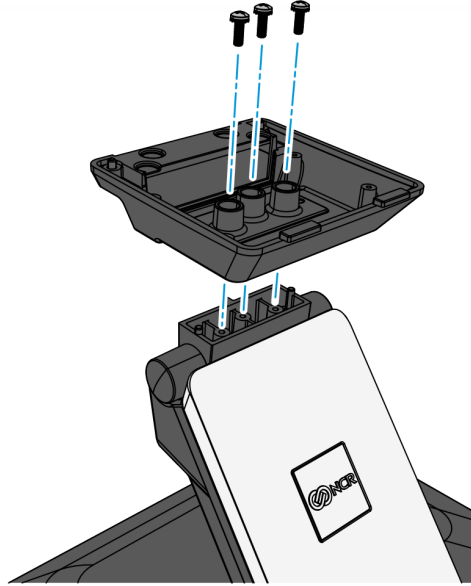


CCP-72353

2. Install the Serial Expansion Housing included in the kit.

No Pre-Existing Serial Expansion Module Installed

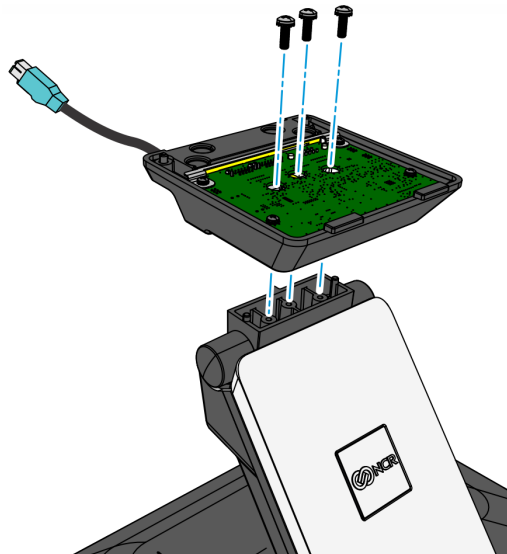
Install the Serial Expansion Housing (497-0514376) to the Stand using the three (3) M4x12 screws (006-8622686) included in the kit.



CCP-76584

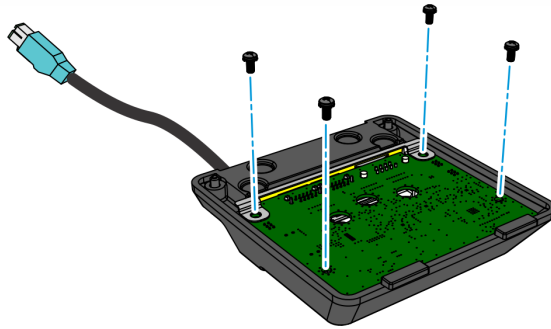
With Existing Serial Expansion Module

- a. Remove the existing Serial Expansion Module from the Stand (3 screws).



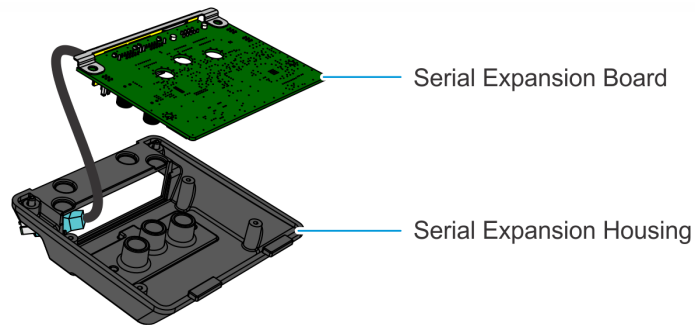
CCP-72355

- b. Remove the four (4) screws securing the Serial Expansion Board to the Serial Expansion Housing.



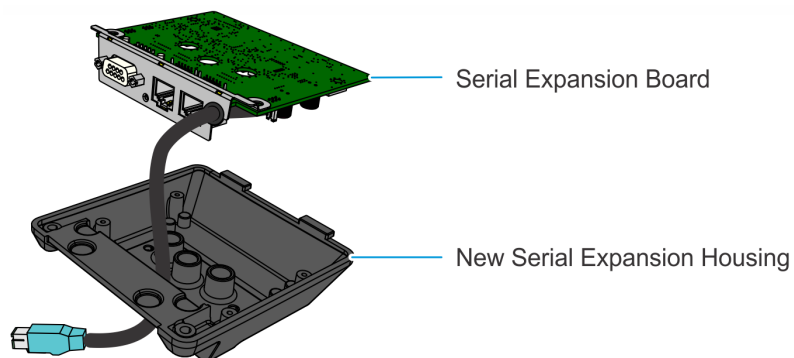
CCP-72359

- c. Remove the Serial Expansion Board from the Serial Expansion Housing.



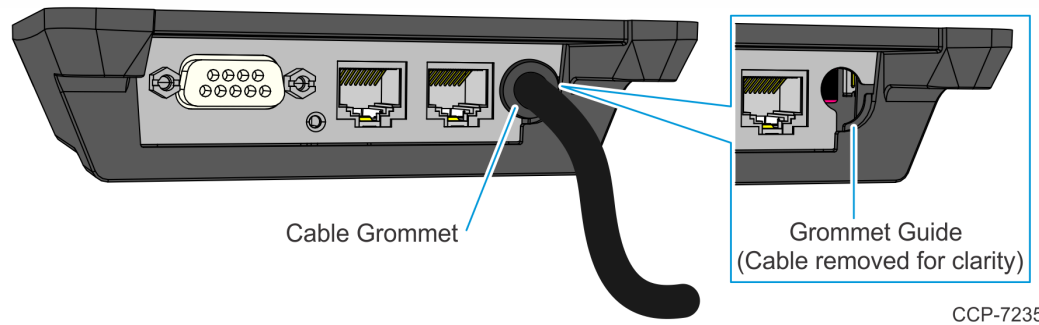
CCP-72356

- d. Route the cable through the opening of the new Serial Expansion Housing (497-0514376).

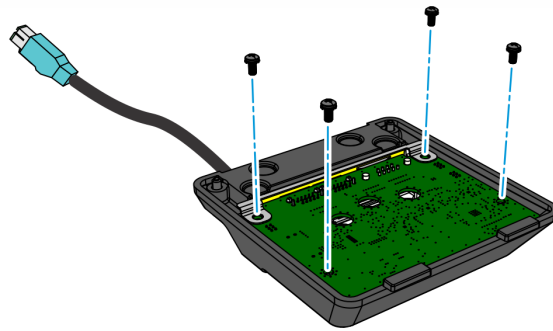


CCP-72358

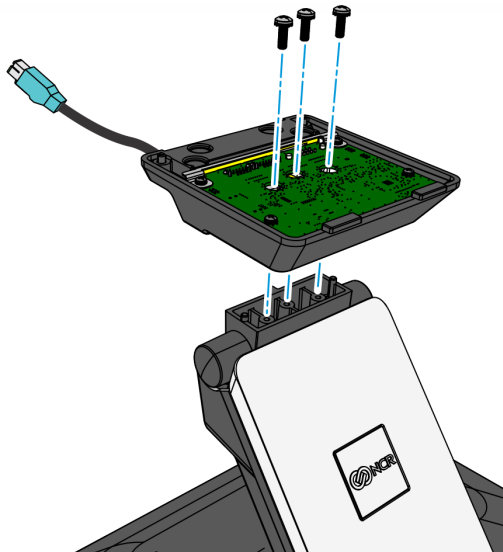
- e. Mount the Serial Expansion Board on the Serial Expansion Housing. Ensure the Cable Grommet is mounted on the grommet guide of the Serial Expansion Housing.



- f. Secure the Serial Expansion Board to the new Serial Expansion Housing (4 screws).

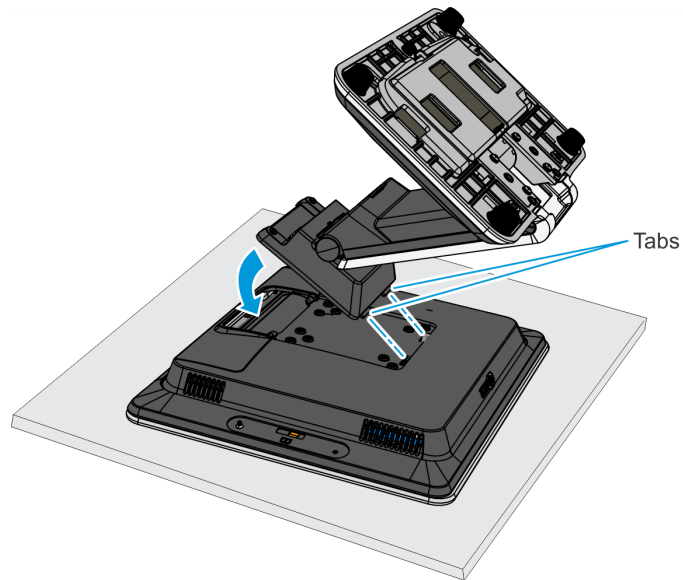


- g. Install the Serial Expansion Module to the Stand (3 screws).



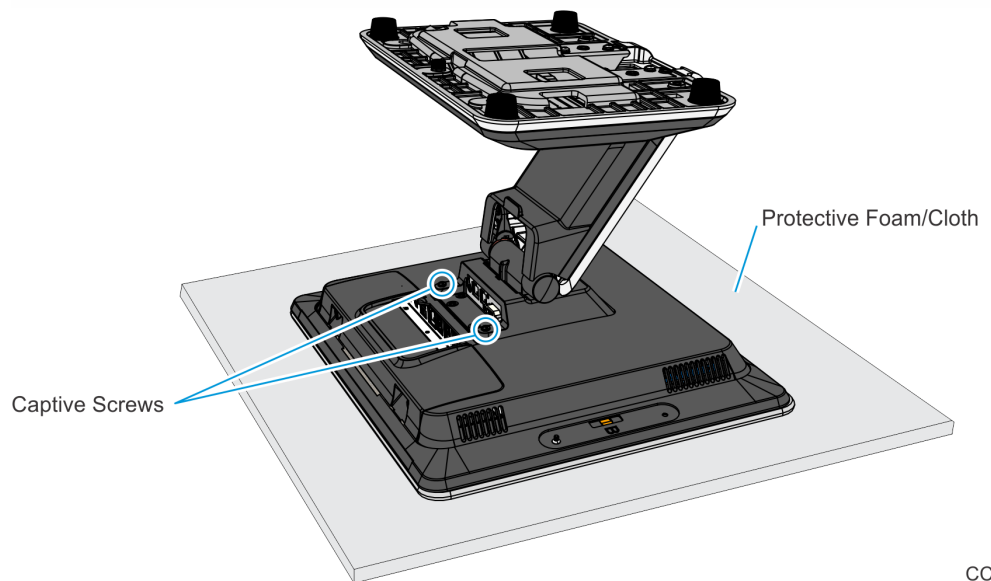
3. Reinstall the Stand.

- a. Insert the Serial Expansion Housing Tabs into the openings in the Back Housing and rotate the Stand downward.



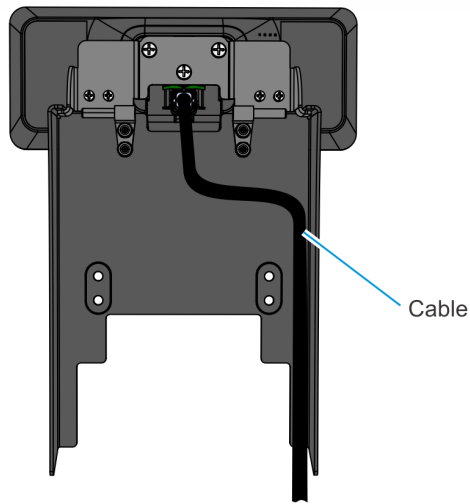
CCP-72354

- b. Secure the stand to the terminal using two (2) captive screws.



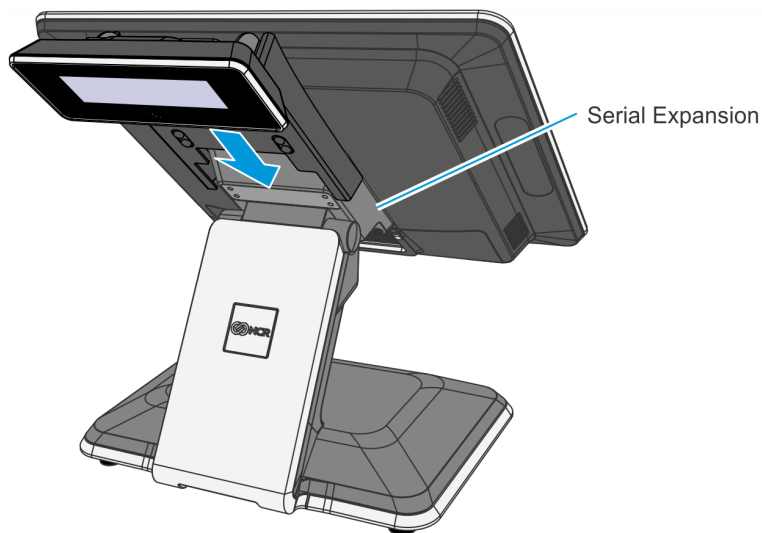
CCP-72352

4. Install the Customer Display and Mounting Bracket Assembly.
 - a. Route the Cable as shown.



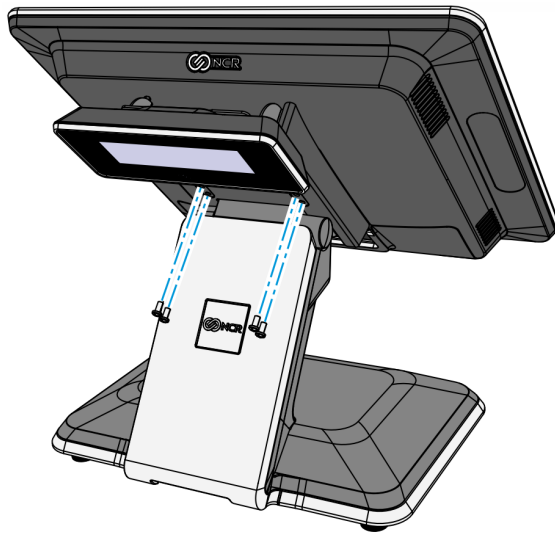
CCP-72977

- b. Slide the Customer Display and Mounting Bracket Assembly over the Serial Expansion Housing of the terminal.



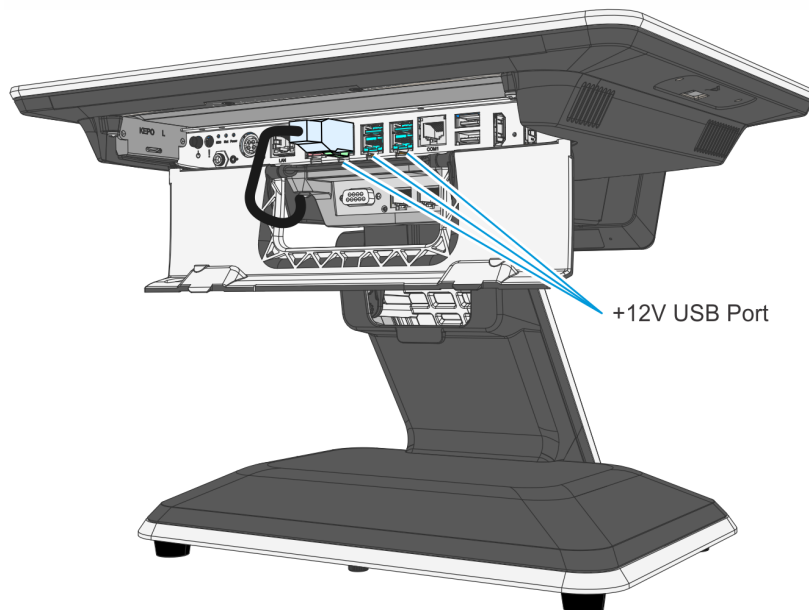
CCP-72975

- c. Secure the Assembly to the terminal using four (4) screws.



CCP-72976

- d. Pivot the terminal and open the cable cover.
e. Connect the USB Cable to any available +12V USB Port on the terminal.



CCP-70798