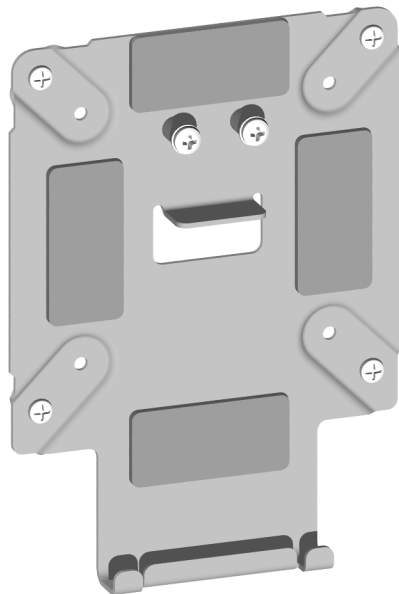


# Kit Instructions

Integration Bracket, 10.1" or 10.4" Display to X-Series or P-Series Stand



7702-K470  
Issue A



---

The product described in this book is a licensed product of NCR Corporation.

NCR is a registered trademark of NCR Corporation. NCR RealPOS is a trademark of NCR Corporation in the United States and/or other countries. Other product names mentioned in this publication may be trademarks or registered trademarks of their respective companies and are hereby acknowledged.

The terms HDMI and HDMI High-Definition Multimedia Interface, and the HDMI Logo are trademarks or registered trademarks of HDMI Licensing LLC in the United States and other countries.

Where creation of derivative works, modifications or copies of this NCR copyrighted documentation is permitted under the terms and conditions of an agreement you have with NCR, NCR's copyright notice must be included.

It is the policy of NCR Corporation (NCR) to improve products as new technology, components, software, and firmware become available. NCR, therefore, reserves the right to change specifications without prior notice.

All features, functions, and operations described herein may not be marketed by NCR in all parts of the world. In some instances, photographs are of equipment prototypes. Therefore, before using this document, consult with your NCR representative or NCR office for information that is applicable and current.

To maintain the quality of our publications, we need your comments on the accuracy, clarity, organization, and value of this book. Please use the link below to send your comments.

*Email:* [FD230036@ncr.com](mailto:FD230036@ncr.com)

Copyright © 2017  
By NCR Corporation  
Duluth, GA U.S.A.  
All Rights Reserved

## Revision Record

Issue	Date	Remarks
A	Nov 2017	First Issue

---

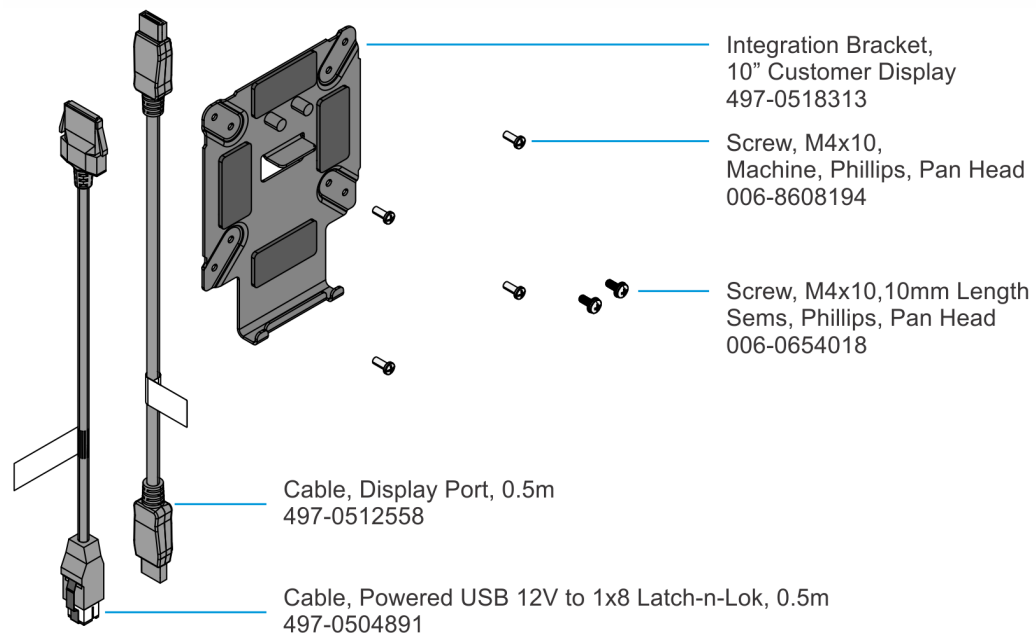
# Integration Bracket, 10.1" or 10.4" Display to X-Series or P-Series Stand

---

This kit provides a bracket to mount any of the following displays to the neck of the X-Series Stand (7702-K031) or P-Series Stand (7761-K170) as a customer display:

- NCR XL10 Display (5910)
- 10.4" X-Series Display (5968/5985)

## Kit Contents



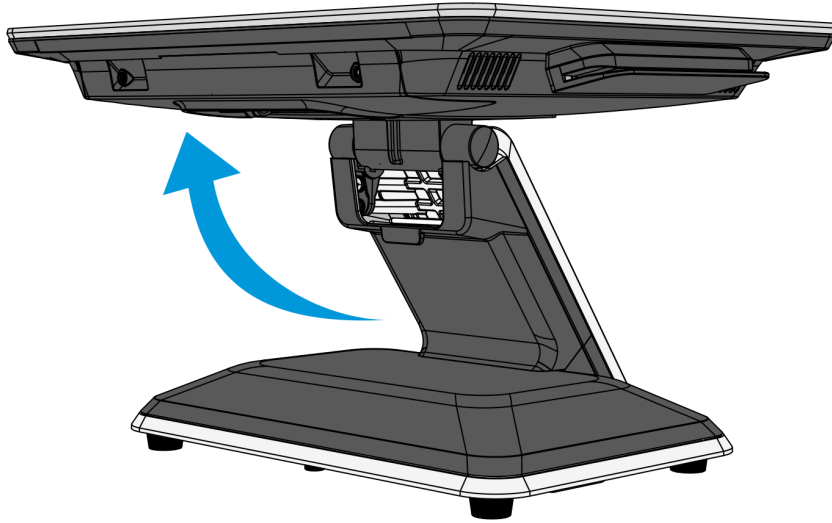
CCP-72381

## Installation Procedure



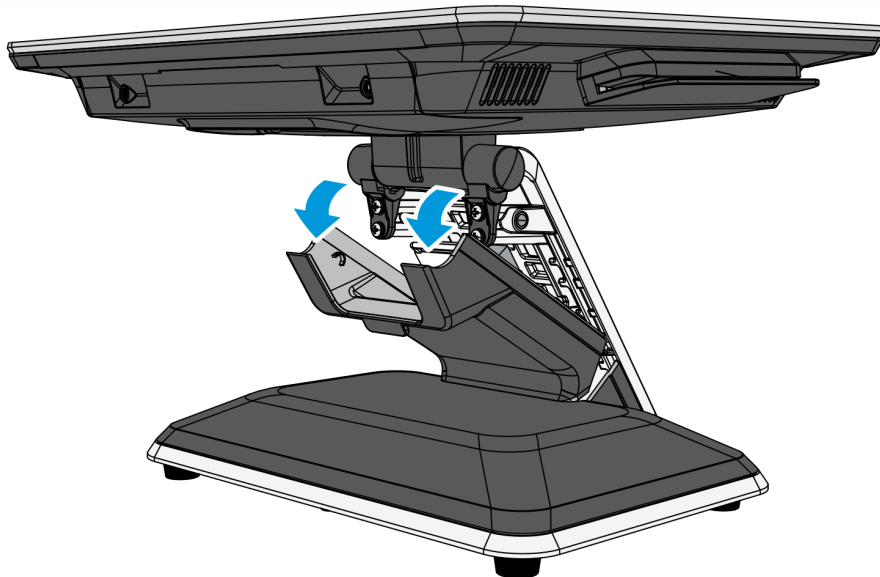
**Note:** This procedure uses the NCR RealPOS XR7 (7702) mounted on the X-Series Stand (7702-K031) with NCR XL10 (5910) as customer display for illustration.

1. Pivot the terminal back.



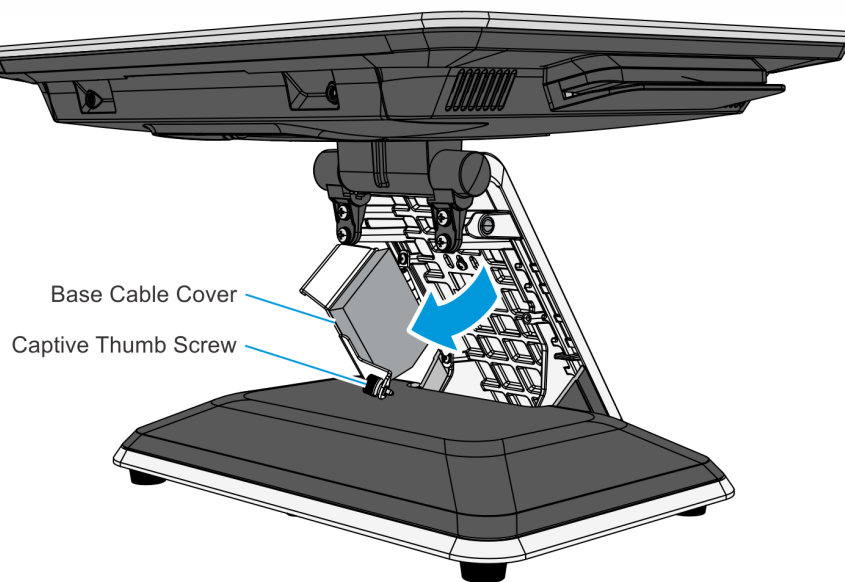
CCP-72377

2. Remove the Upper Stand Cover by pivoting it away from the stand. The cover has a simple snap fit connection at the top.



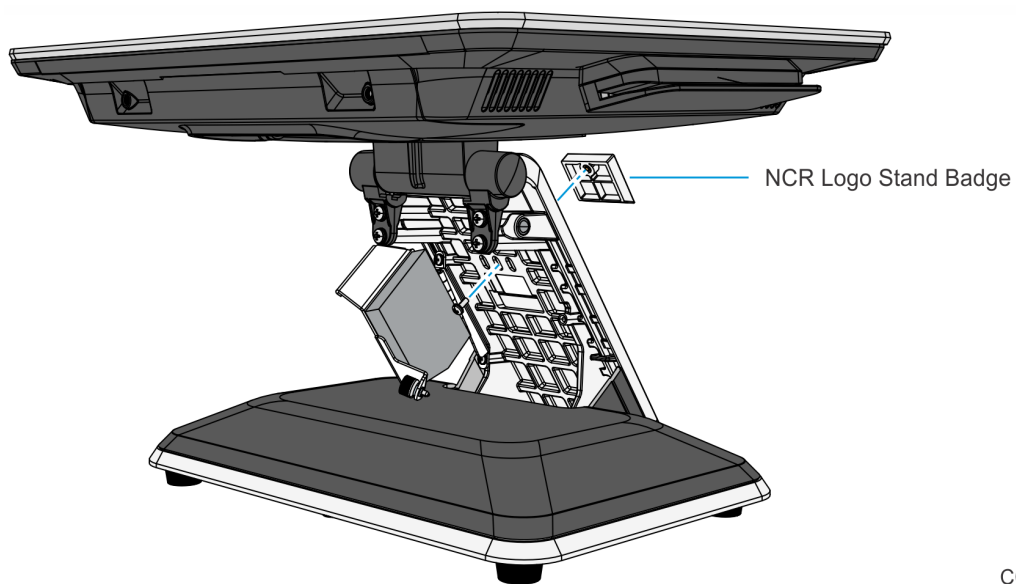
CCP-72382

3. Open the Base Cable Cover (captive thumb screw).



CCP-72383

4. Remove the NCR Logo Stand Badge (1 screw).

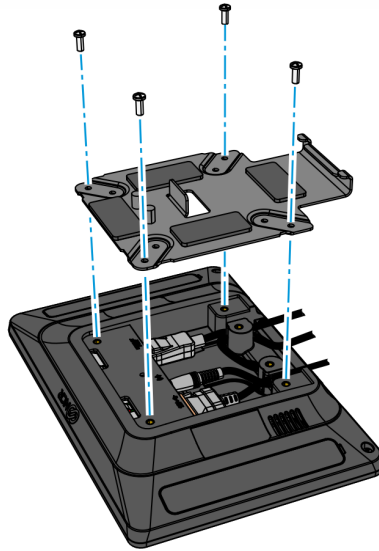


CCP-72384

5. Install the Bracket on the back of the Display using four (4) screws (006-8608194).

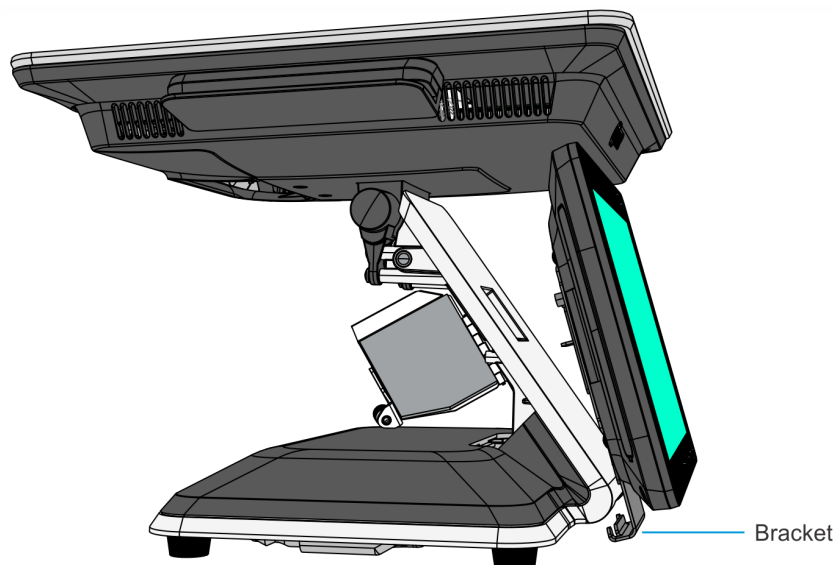


**Note:** For NCR XL10 (5910) Display, connect the display cables before installing the bracket. For more information, refer to [NCR XL10 \(5910\) Cable Routing](#) on page 7.



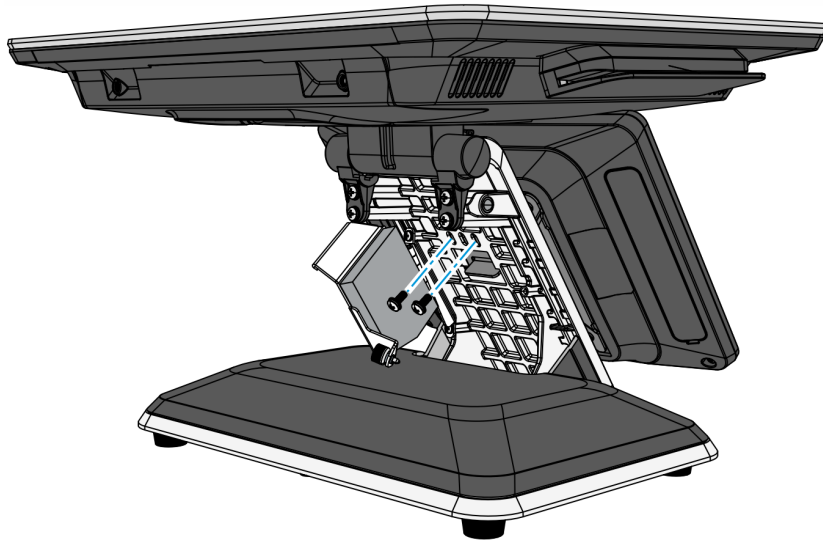
CCP-72385

6. Hook the bottom of the Bracket under the Stand.



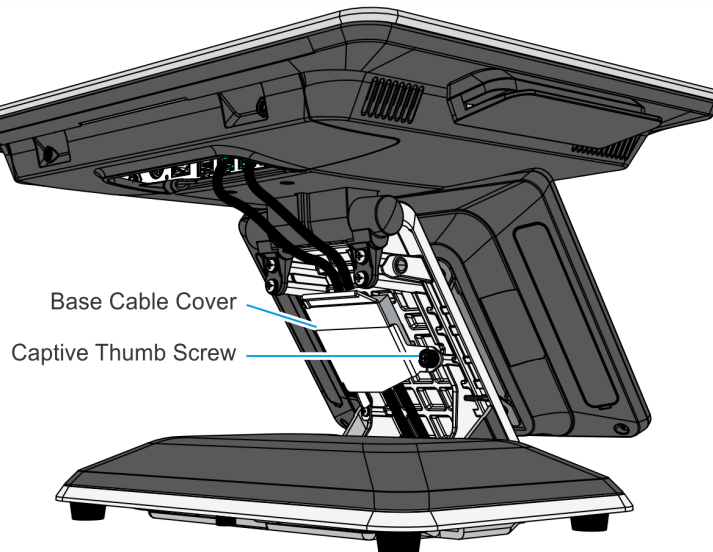
CCP-72387

- Pivot the assembly into position on the Stand and secure it from the inside of the stand with (2) screws (006-0654018).



CCP-72388

- Route the cables up through the Stand. Close and secure the Base Cable Cover with the thumb screw.



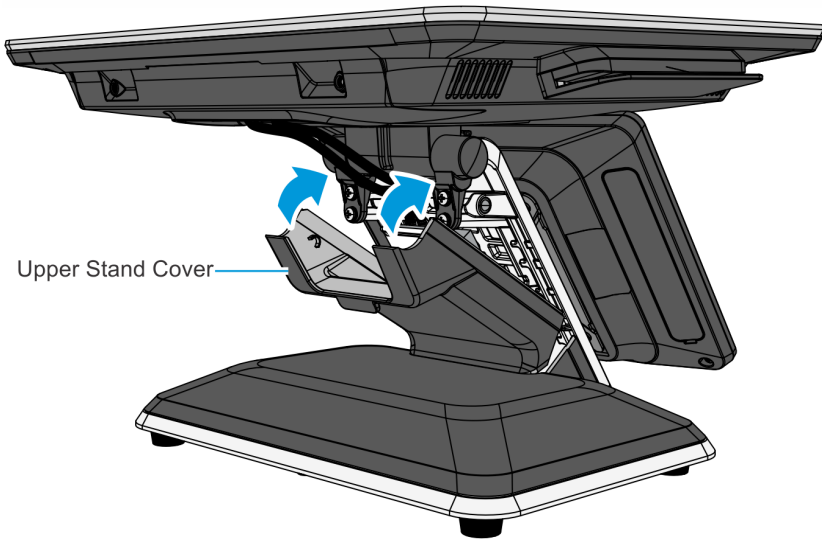
CCP-72389

- Connect the cables to the host terminal.



**Note:** For 5968/5985 X-Series Display, connect the cables to the display and the host terminal.

10. Reinstall the Upper Stand Cover.



CCP-72390



## NCR XL10 (5910) Cable Routing

Connect the Display cables and route them according to the imprinted routing guide.

### Display Port Model

1. Connect and route the Audio Cable first. Route the cable looping around the cable strain relief posts as shown.
2. Connect the Display Power Cable and route straight down over the Audio Cable.
3. Connect the Display Port Cable and route straight down over the Audio Cable.

