

KIT INSTRUCTIONS

LCD Customer Display on an Extension Stand



7702-K453
Issue C



The product described in this book is a licensed product of NCR Corporation.

NCR is a registered trademark of NCR Corporation. NCR RealPOS is a trademark of NCR Corporation in the United States and/or other countries. Other product names mentioned in this publication may be trademarks or registered trademarks of their respective companies and are hereby acknowledged.

The terms HDMI and HDMI High-Definition Multimedia Interface, and the HDMI Logo are trademarks or registered trademarks of HDMI Licensing LLC in the United States and other countries.

Where creation of derivative works, modifications or copies of this NCR copyrighted documentation is permitted under the terms and conditions of an agreement you have with NCR, NCR's copyright notice must be included.

It is the policy of NCR Corporation (NCR) to improve products as new technology, components, software, and firmware become available. NCR, therefore, reserves the right to change specifications without prior notice.

All features, functions, and operations described herein may not be marketed by NCR in all parts of the world. In some instances, photographs are of equipment prototypes. Therefore, before using this document, consult with your NCR representative or NCR office for information that is applicable and current.

To maintain the quality of our publications, we need your comments on the accuracy, clarity, organization, and value of this book. Please use the link below to send your comment.

Email: FD230036@ncr.com

Copyright © 2014–2019

By NCR Corporation

Global Headquarters

864 Spring St NW

Atlanta, GA 30308

U.S.A.

All Rights Reserved

Revision Record

Issue	Date	Remarks
A	Sep 2014	First Issue
B	Feb 2015	Added optional mounting thumbscrews to the BOM
C	Apr 2019	Added 006-8625059 and updated obsolete PNs

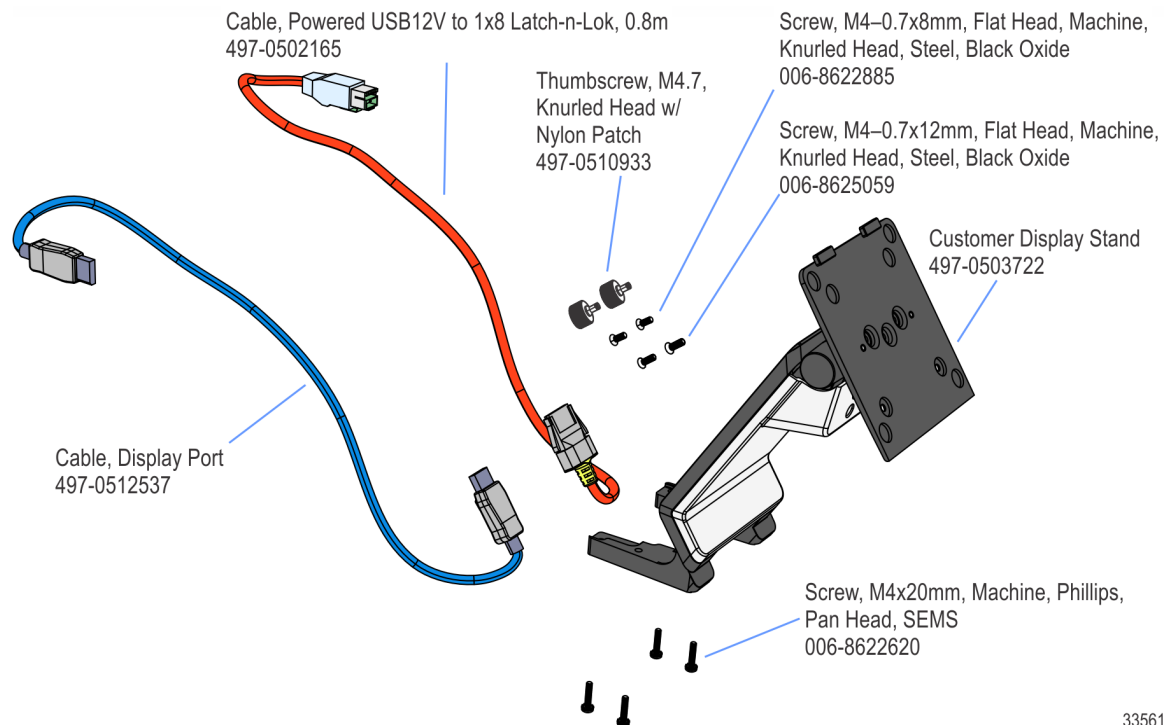
LCD Customer Display on an Extension Stand

This kit contains the components to add an integrated LCD customer display on any of the following:

- NCR XR5 POS (7701)
- NCR XR7 POS (7702)
- NCR XR7 Plus POS (7703)
- NCR X-Series Displays (5968/5985)

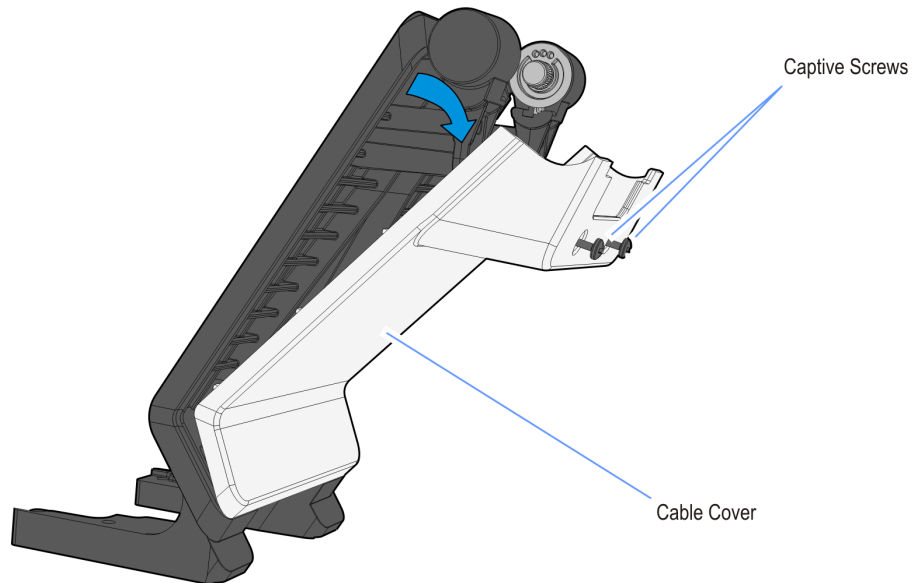
The customer display is mounted on an Extension Stand connected to the bottom of the POS Stand.

Components



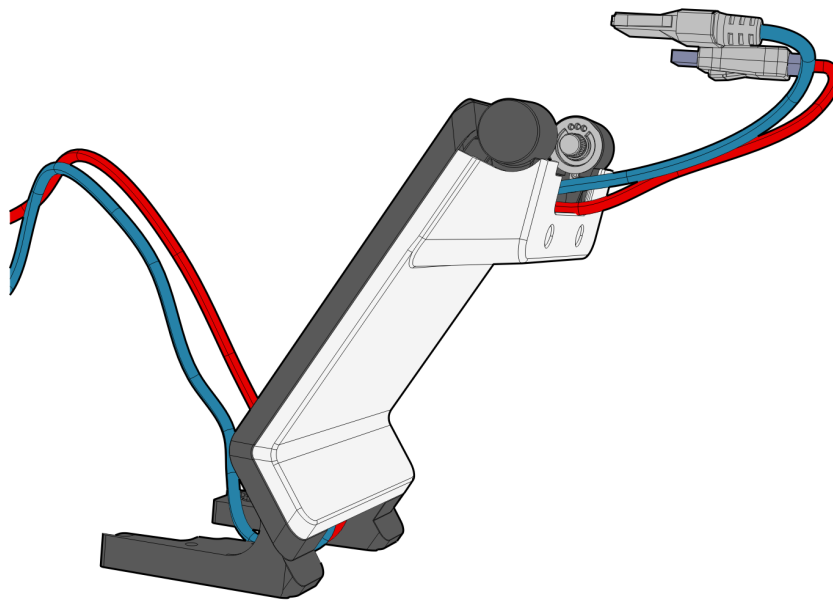
Installation Procedure

1. Remove the Cable Cover from the Extension Arm.
 - a. Loosen the Captive Screws (2) in the Cable Cover.
 - b. Pivot the cover from the Extension Arm as shown.



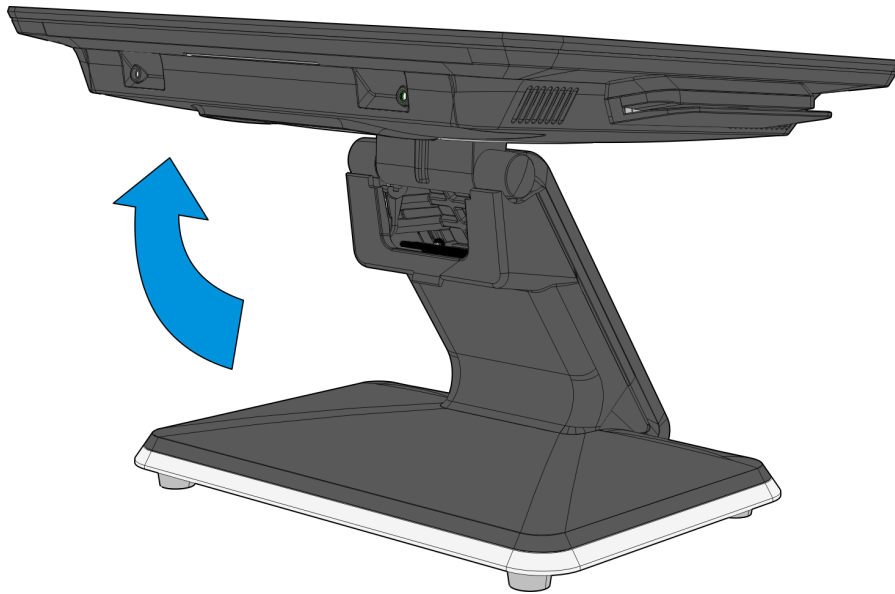
33566

2. Insert the USB+12V Cable and Display Port Cable into the Extension Arm.
3. Reinstall the Cable Cover.



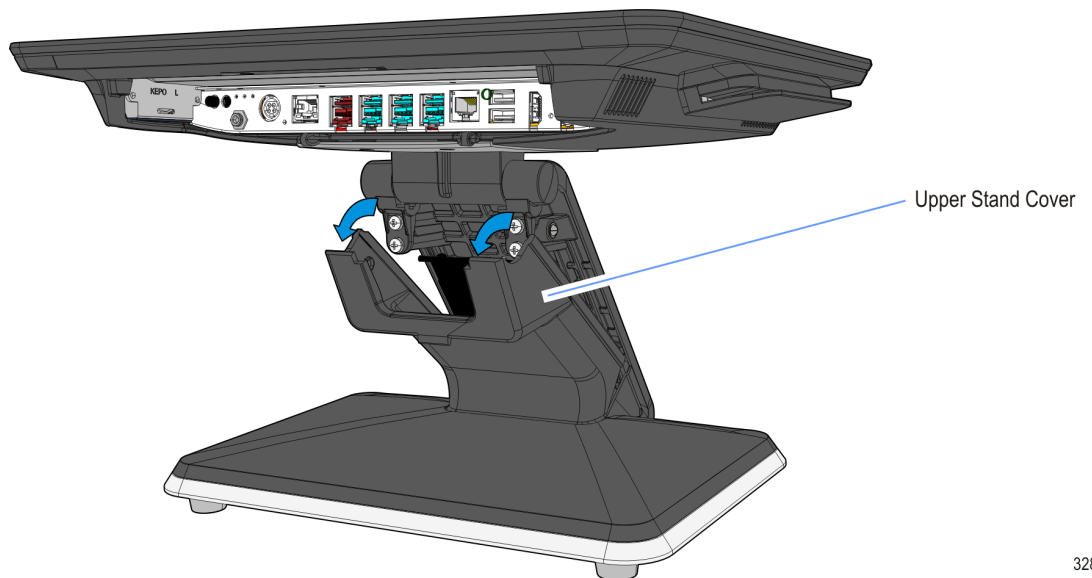
33567

- Pivot the POS display to a horizontal position.



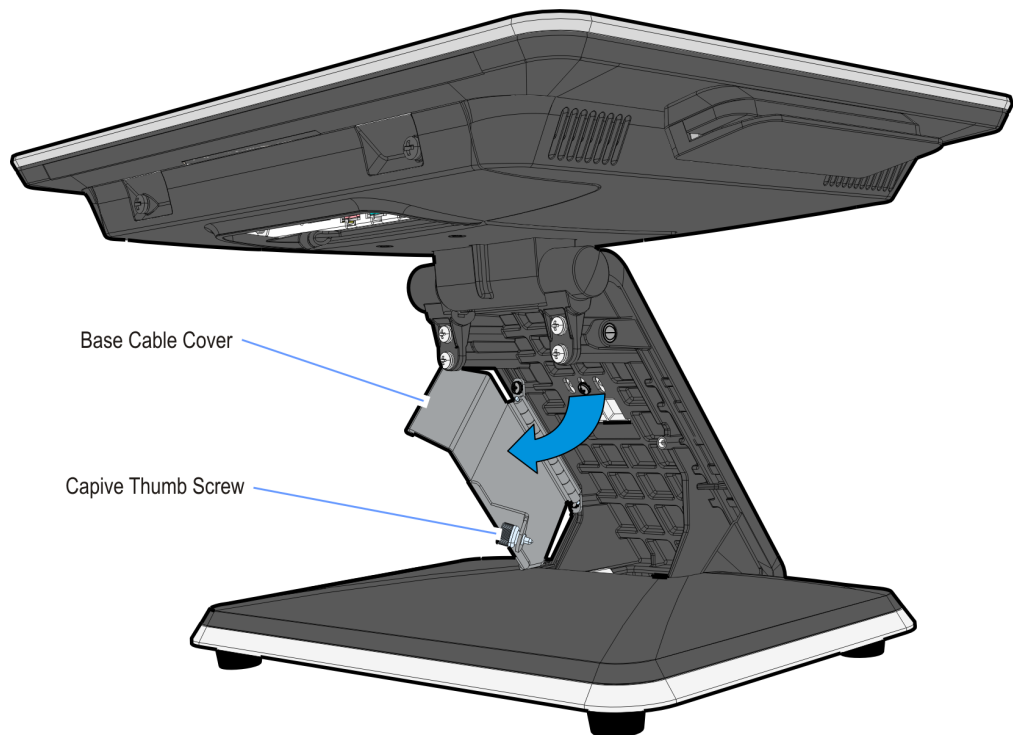
32810

- Remove the Upper Stand Cover by pivoting it away from the POS Stand. The cover has a snap fit connection at the top.



32812

6. Loosen the captive thumb screw on the Base Cable Cover and pivot it open.



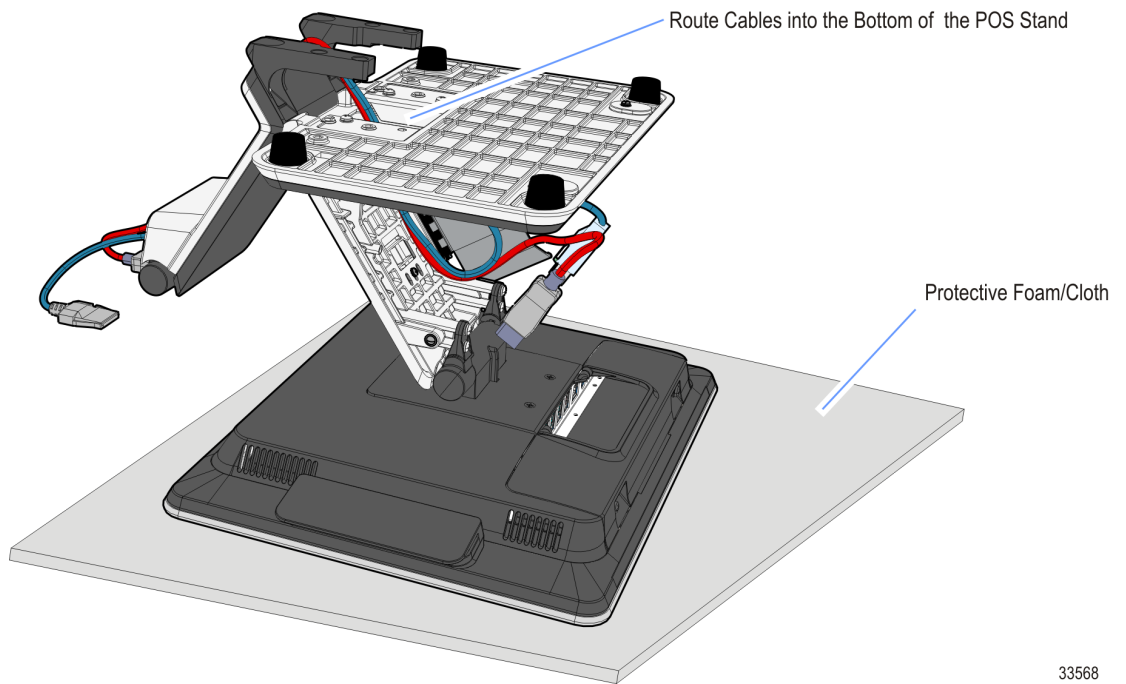
33333

7. Lay the terminal with the display faced down on a flat surface.



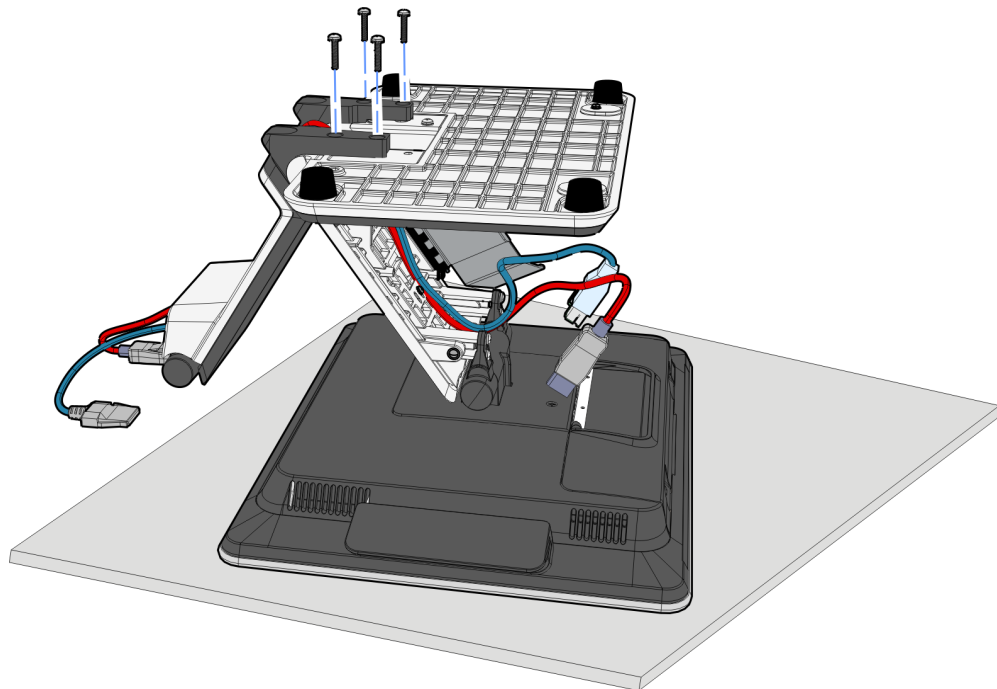
Caution: Always use a soft material (cloth, foam) to protect the display screen when placing the terminal face down.

8. Route the USB+12V Cable and Display Port Cable through the opening in the bottom of the POS Stand.



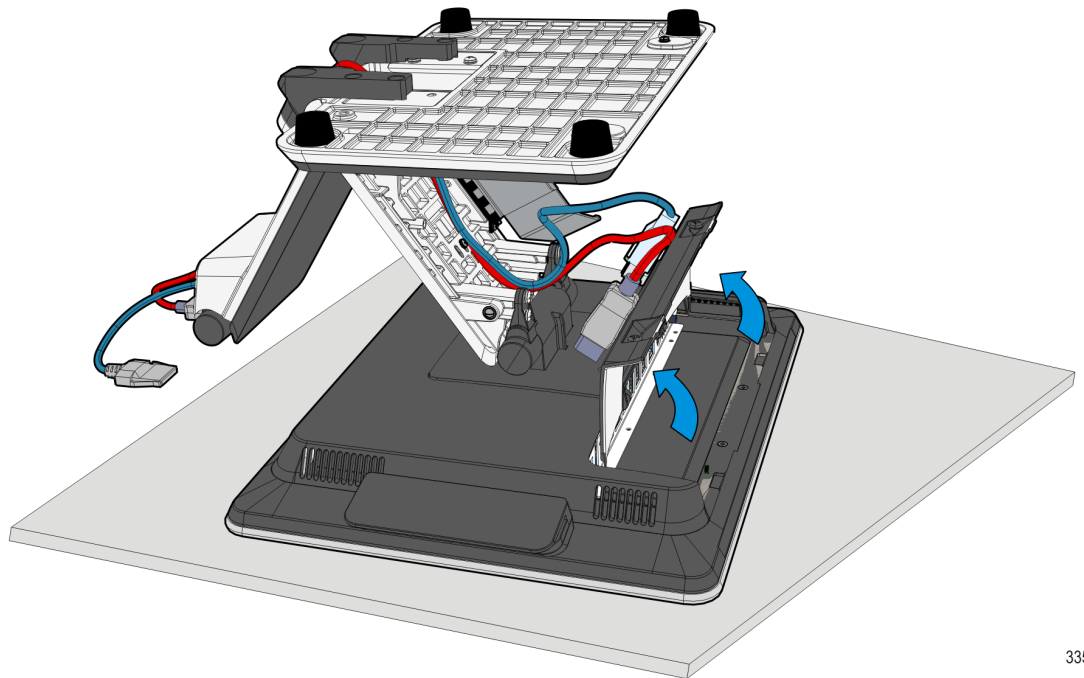
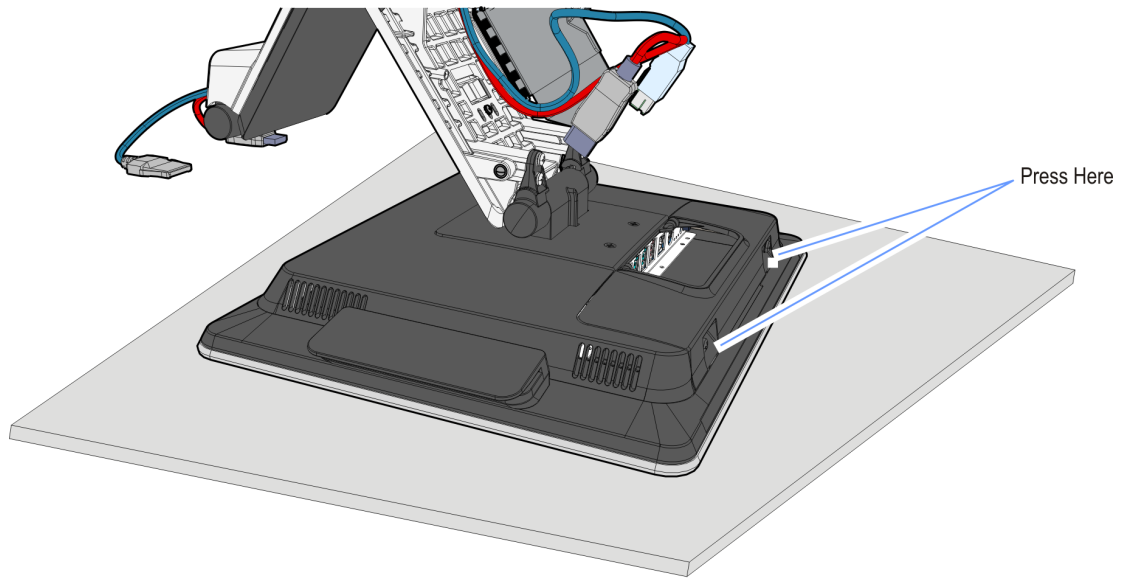
33568

9. Secure the Extension Arm to the POS Stand (4 screws).

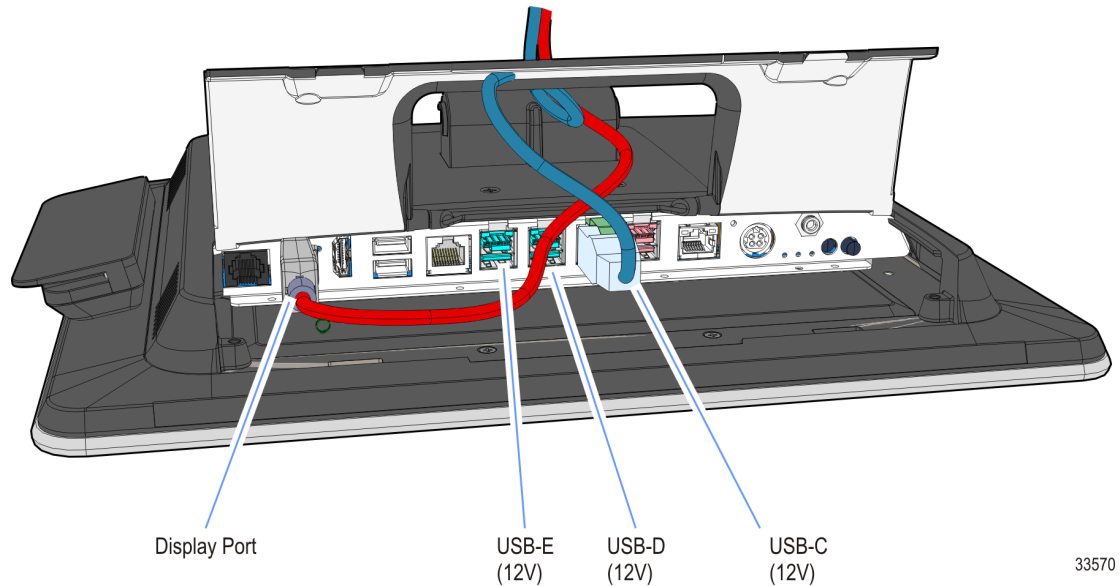


33572

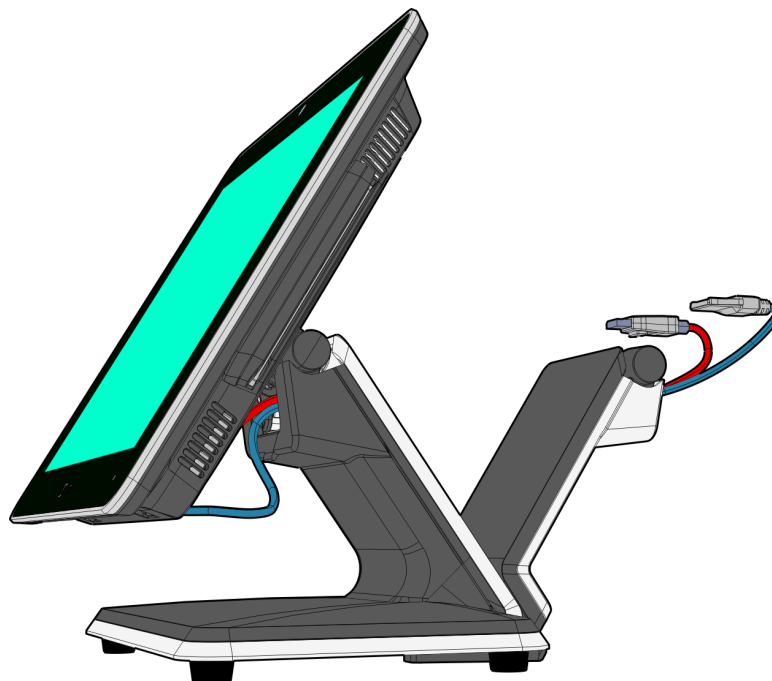
10. Open the Terminal Cable Cover (press in at the indentations).



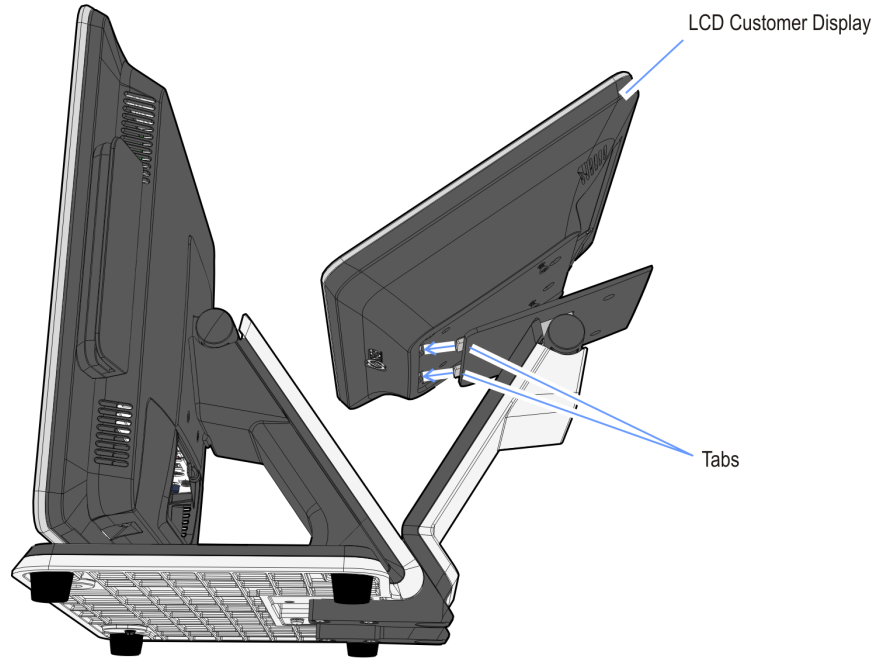
11. Connect the USB Cable to one of the USB+12V Connectors and the Display Port Cable to the Display Port Connector on the POS I/O Panel.



12. Place the terminal upright on its stand.
13. Close the Base Cable Cover over the cables and secure it (thumbscrew).
14. Close the Terminal Cable Cover.
15. Reinstall the Upper Stand Cover.

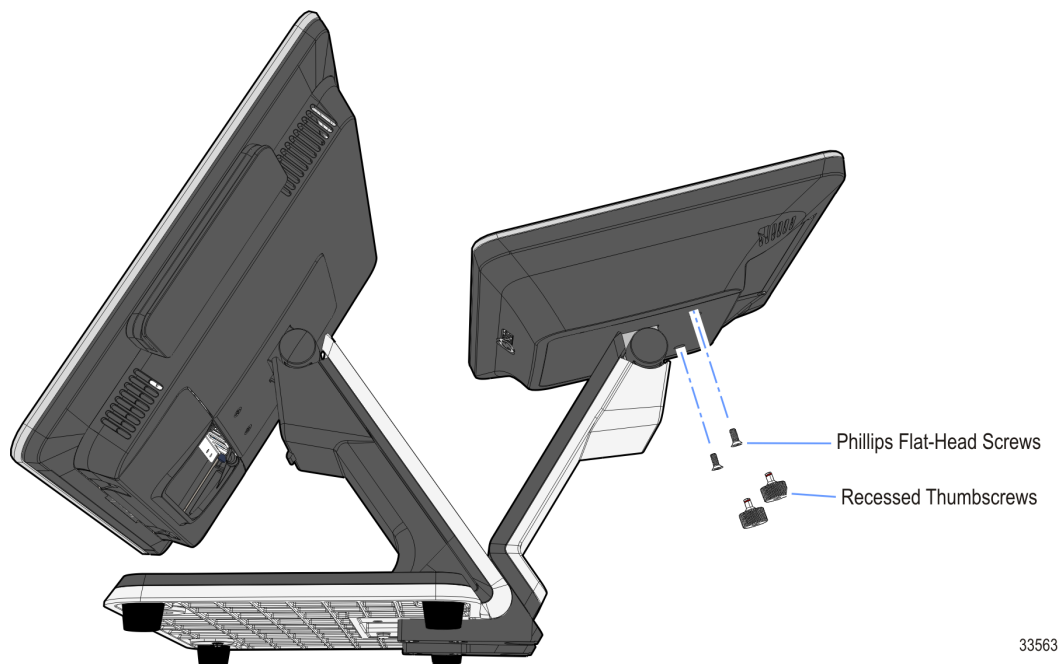


16. Install the customer display on the Customer Display Mount.
 - a. Tilt the POS to a vertical position and the Customer Display Mounting Plate fully forward.
 - b. Insert the tabs (2) on the top edge of the Mounting Plate into the slots in the back of the customer display.



c. Secure the display with screws (2). Use the appropriate screws for the display:

Display	Screw
10.4" X-Series Display (XT10/XD10)	006-8622885 M4-0.7x8mm Flat Head, Machine, Knurled Head, Steel, Black Oxide OR 497-0510933 Thumbscrew, M4.7, Knurled Head w/ Nylon Patch
15" Display (XL15)	006-8625059 M4-0.7x12mm Flat Head, Machine, Knurled Head, Steel, Black Oxide



17. Connect the USB+12V Cable and Display Port Cable to the Customer Display.

