

KIT INSTRUCTIONS

2x20 Customer Display Integrated on POS Stand



7702-K450
Issue A



The product described in this book is a licensed product of NCR Corporation.

NCR is a registered trademark of NCR Corporation. NCR RealPOS is a trademark of NCR Corporation in the United States and/or other countries. Other product names mentioned in this publication may be trademarks or registered trademarks of their respective companies and are hereby acknowledged.

The terms HDMI and HDMI High-Definition Multimedia Interface, and the HDMI Logo are trademarks or registered trademarks of HDMI Licensing LLC in the United States and other countries.

Where creation of derivative works, modifications or copies of this NCR copyrighted documentation is permitted under the terms and conditions of an agreement you have with NCR, NCR's copyright notice must be included.

It is the policy of NCR Corporation (NCR) to improve products as new technology, components, software, and firmware become available. NCR, therefore, reserves the right to change specifications without prior notice.

All features, functions, and operations described herein may not be marketed by NCR in all parts of the world. In some instances, photographs are of equipment prototypes. Therefore, before using this document, consult with your NCR representative or NCR office for information that is applicable and current.

To maintain the quality of our publications, we need your comments on the accuracy, clarity, organization, and value of this book.

Address correspondence to:

Manager, Information Solutions Group
NCR Corporation
Discovery Centre, 3 Fulton Road
Dundee, DD2 4SW
Scotland

Internet Address:

<http://www.info.ncr.com/Feedback>

Copyright © 2014

By NCR Corporation

Duluth, GA U.S.A.

All Rights Reserved

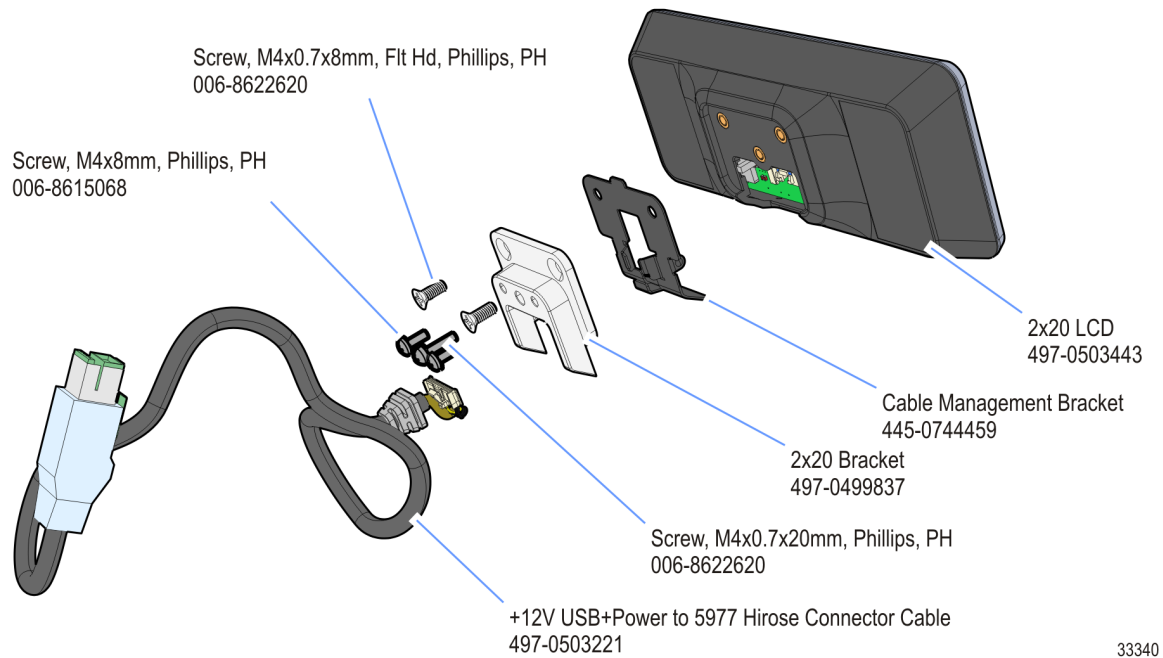
Revision Record

Issue	Date	Remarks
A	Jun 2014	First Issue

2x20 Customer Display Integrated on POS Stand

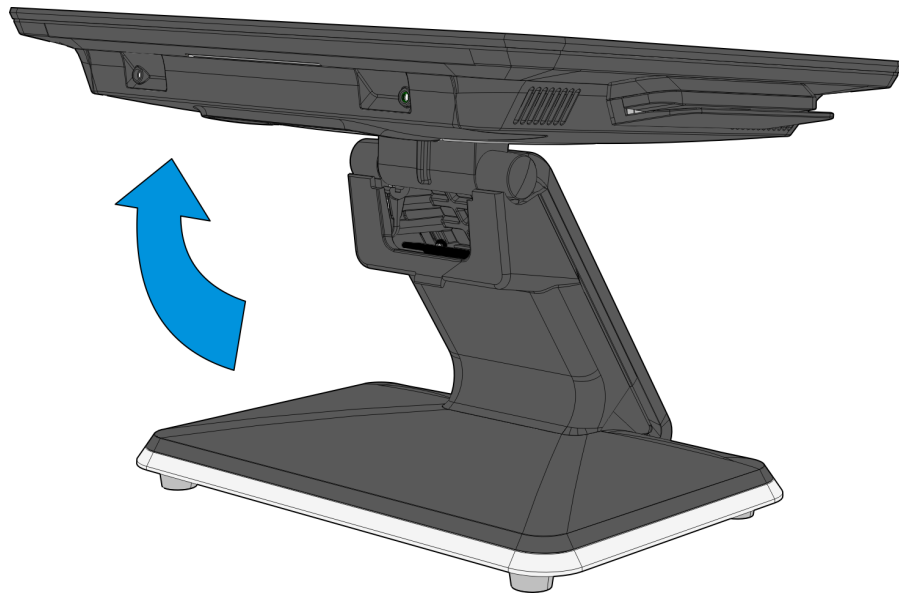
This kit contains the components to add an integrated 2x20 customer display on the RealPOS XR7 POS. The display is mounted on the back of the POS Stand.

Components



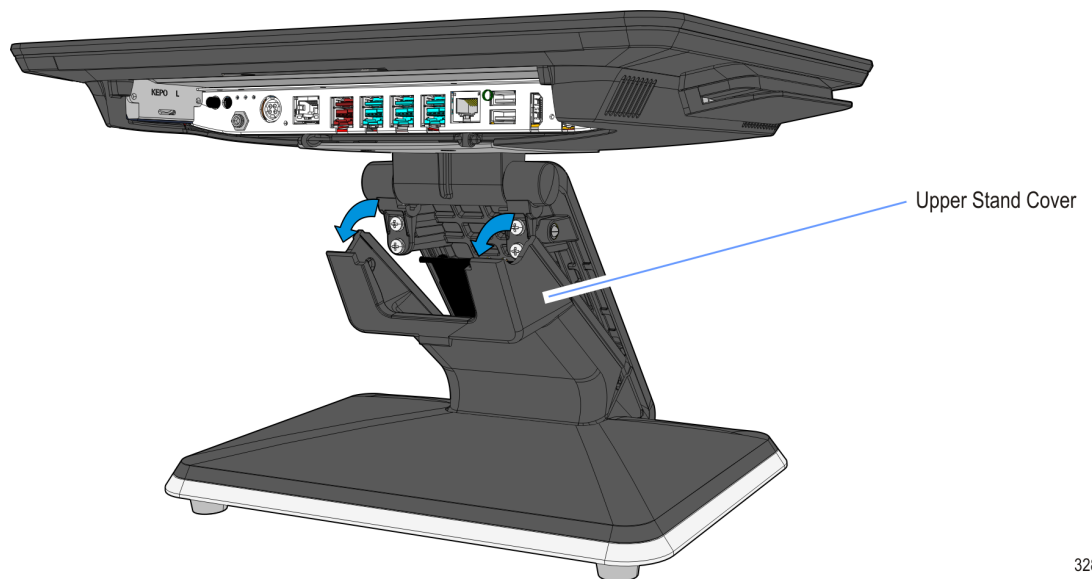
Installation Procedures

1. Pivot the display back.



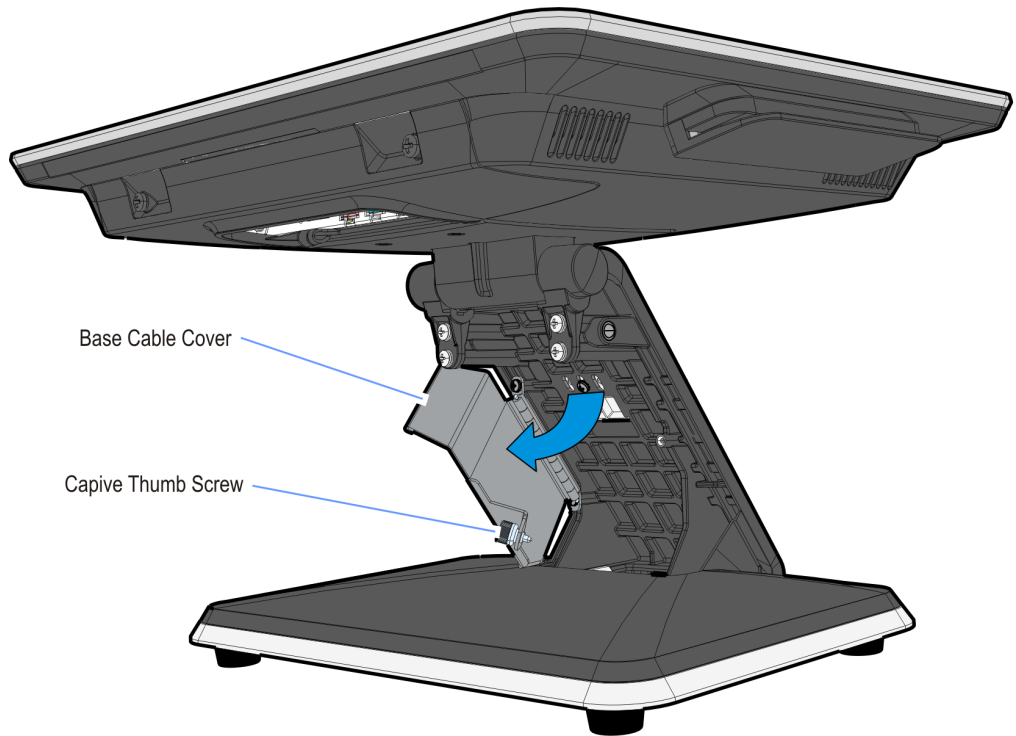
32810

2. Remove the Upper Stand Cover by pivoting it away from the stand. The cover has a simple snap fit connection at the top.



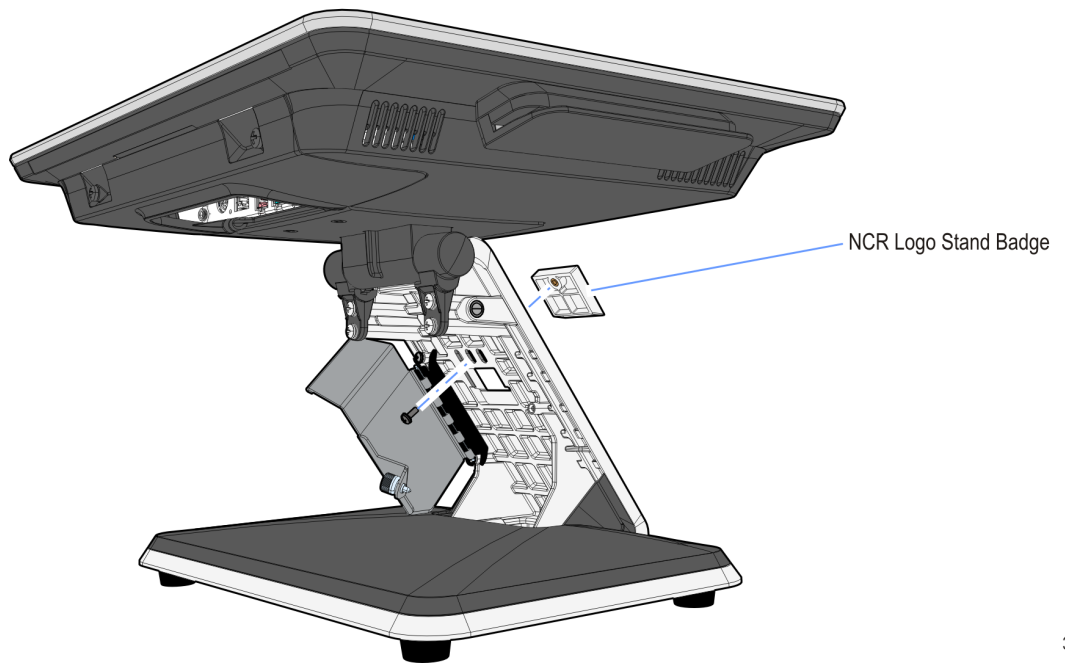
32812

3. Open the Base Cable Cover (captive thumb screw).



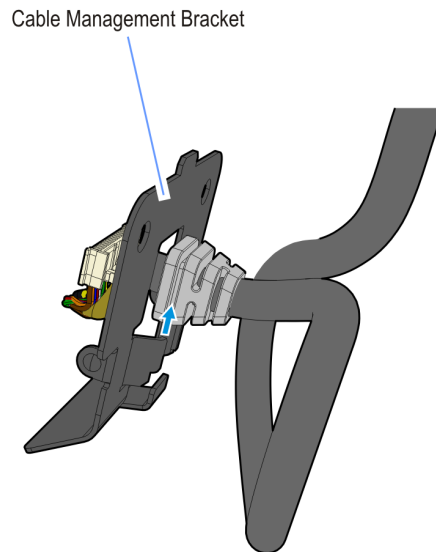
33333

4. Remove the NCR Logo Stand Badge(screw).



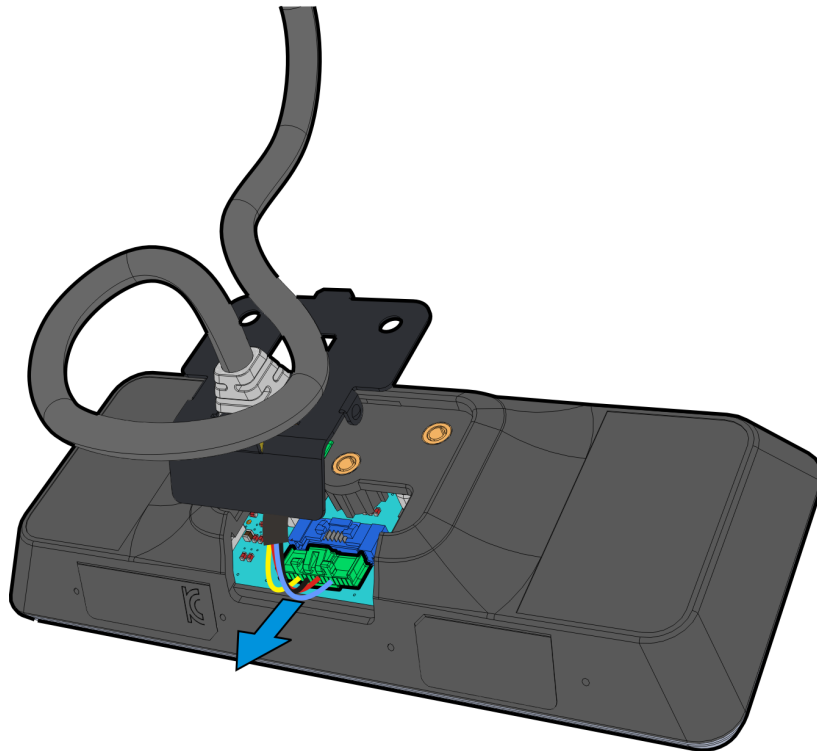
33334

5. Feed the USB Cable through the Cable Management Bracket and slide the Cable Overmold into the bracket.



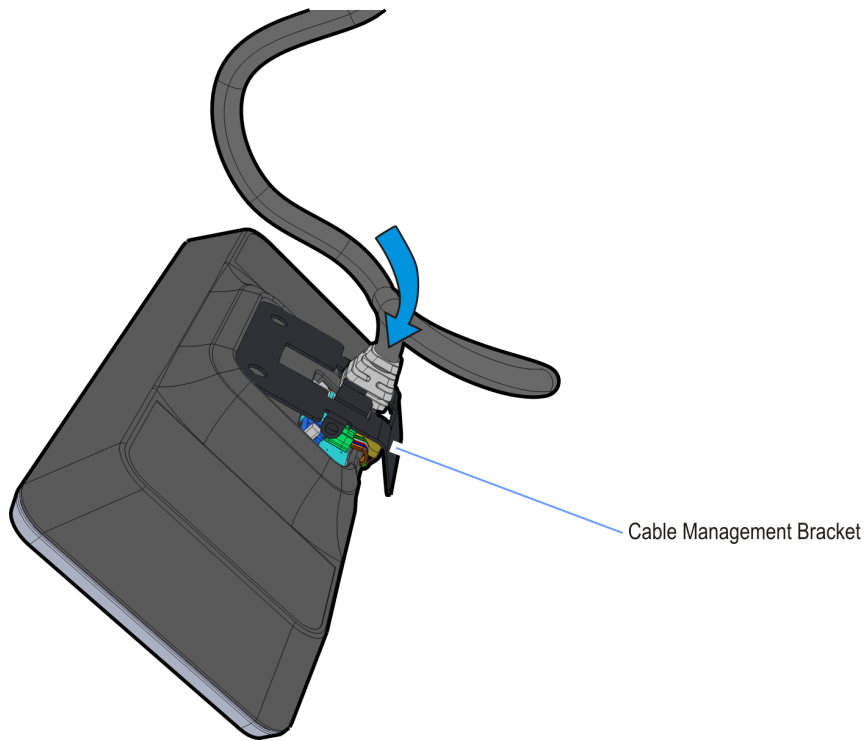
33335

6. Connect the USB Cable to the PCB.

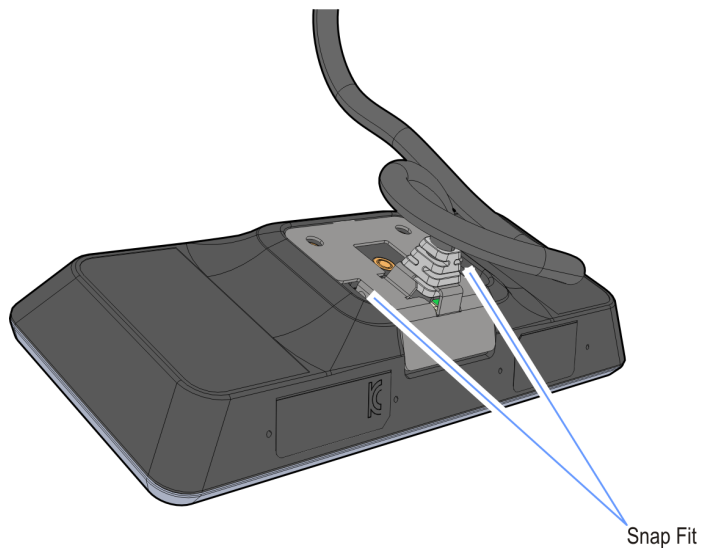


32891

7. Route the excess cable to the right and around the board connector and install the Cable Management Bracket. Insert the tabs of the Cable Management Bracket into the slots in the Rear Cover. Pivot the bracket as shown until it snaps into position.

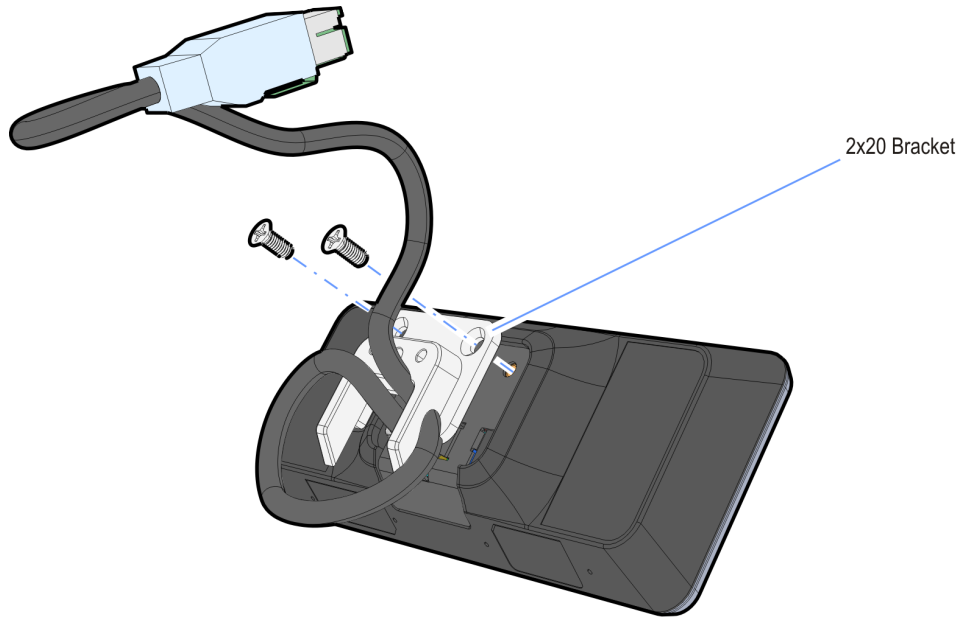


32893



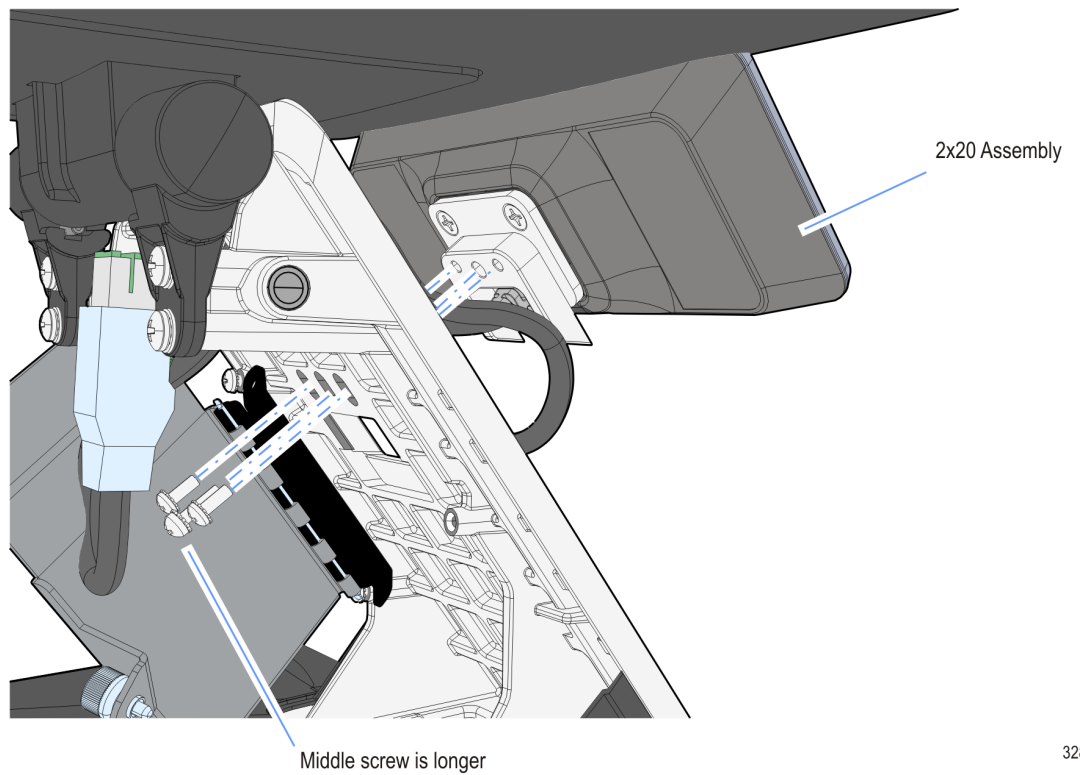
33337

8. Install the 2x20 Bracket (2 flat-head screws).



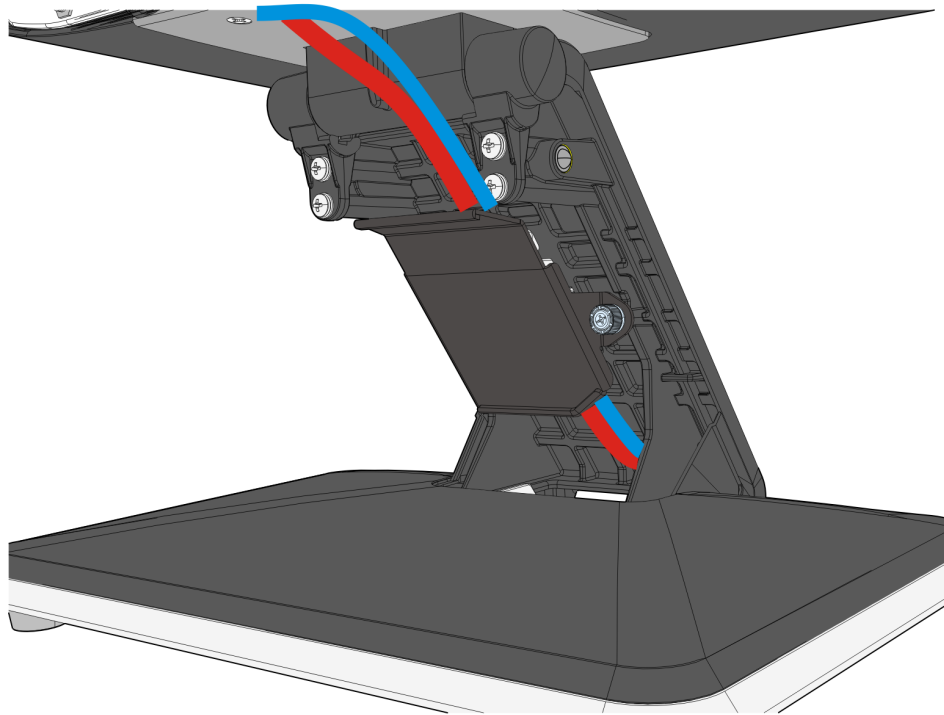
32889

9. Route the USB Cable through back of the stand.
10. Install the 2x20 Module onto the stand (3 screws, the middle screw is longer).



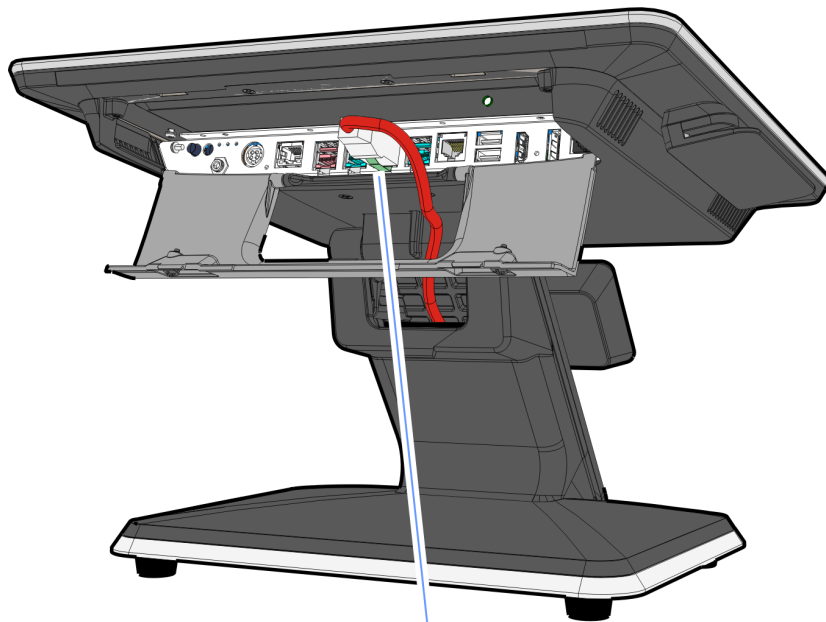
32858

11. Route the cable up through the POS Stand. Close and secure the Base Cable Cover.



33341

12. Connect the USB Cable to a +12V USB connector on the terminal.



2x20 USB Cable

32855

13. Re-install the Upper Stand Cover.

