

KIT INSTRUCTIONS

Flat Wall Mount

7702-K325
Issue A



The product described in this book is a licensed product of NCR Corporation.

NCR is a registered trademark of NCR Corporation. NCR RealPOS is a trademark of NCR Corporation in the United States and/or other countries. Other product names mentioned in this publication may be trademarks or registered trademarks of their respective companies and are hereby acknowledged.

The terms HDMI and HDMI High-Definition Multimedia Interface, and the HDMI Logo are trademarks or registered trademarks of HDMI Licensing LLC in the United States and other countries.

Where creation of derivative works, modifications or copies of this NCR copyrighted documentation is permitted under the terms and conditions of an agreement you have with NCR, NCR's copyright notice must be included.

It is the policy of NCR Corporation (NCR) to improve products as new technology, components, software, and firmware become available. NCR, therefore, reserves the right to change specifications without prior notice.

All features, functions, and operations described herein may not be marketed by NCR in all parts of the world. In some instances, photographs are of equipment prototypes. Therefore, before using this document, consult with your NCR representative or NCR office for information that is applicable and current.

To maintain the quality of our publications, we need your comments on the accuracy, clarity, organization, and value of this book.

Internet Address:

<http://www.info.ncr.com/Feedback>

Copyright © 2015

By NCR Corporation

Duluth, GA U.S.A.

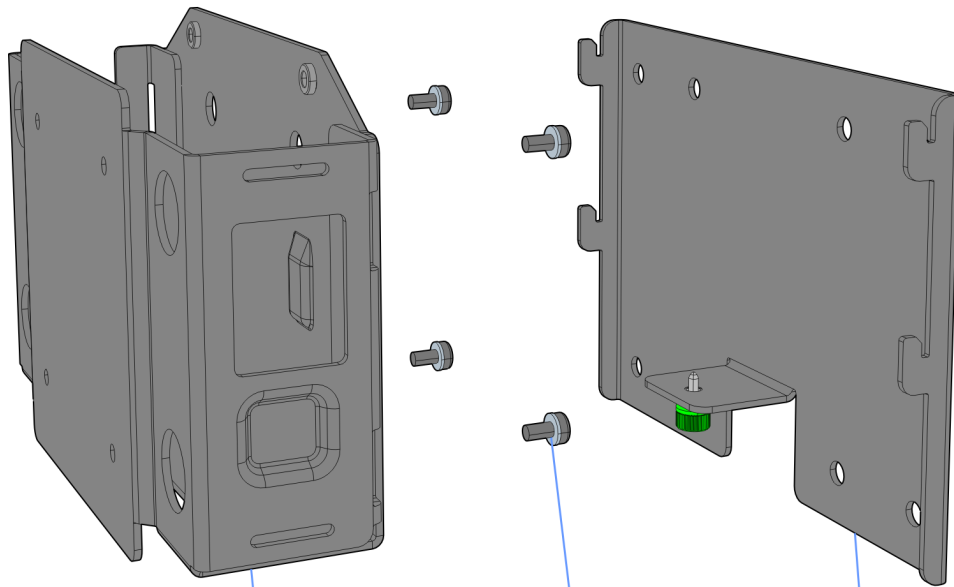
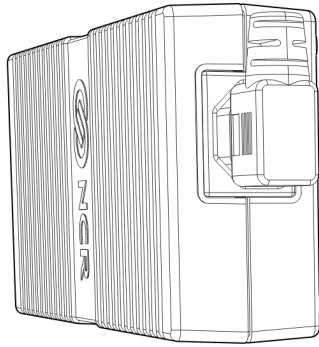
All Rights Reserved

Revision Record

Issue	Date	Remarks
A	Dec 2015	First Issue

Flat Wall Mount

This kit provides components to secure a RealPOS XR7 POS to a vertical surface and holds the power supply in a single assembly.



Power Supply Bracket
(497-0509696)

M4 x 8mm Screws
(006-8617796)

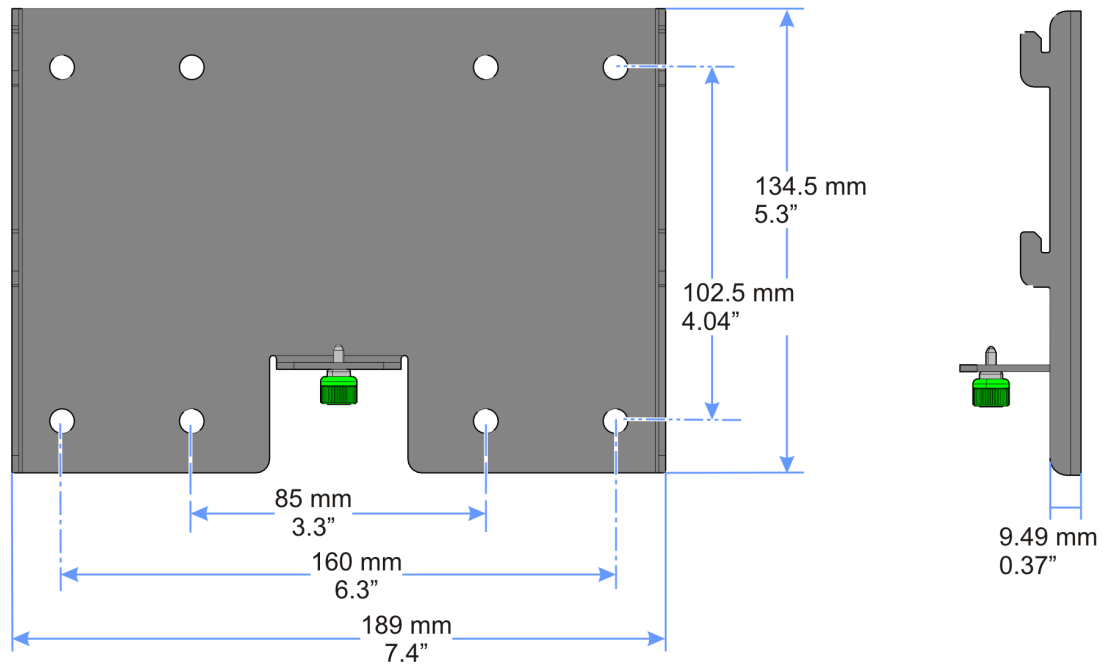
Flat Mount Plate
(497-0509699)

Installation Procedures

1. Attach the 497-0509699 Flat Mount Plate level at the preferred location with the Thumb Screw located at the bottom pointing up. To attach securely use four 1/4 inch diameter, 2 inch long lag wood screws.

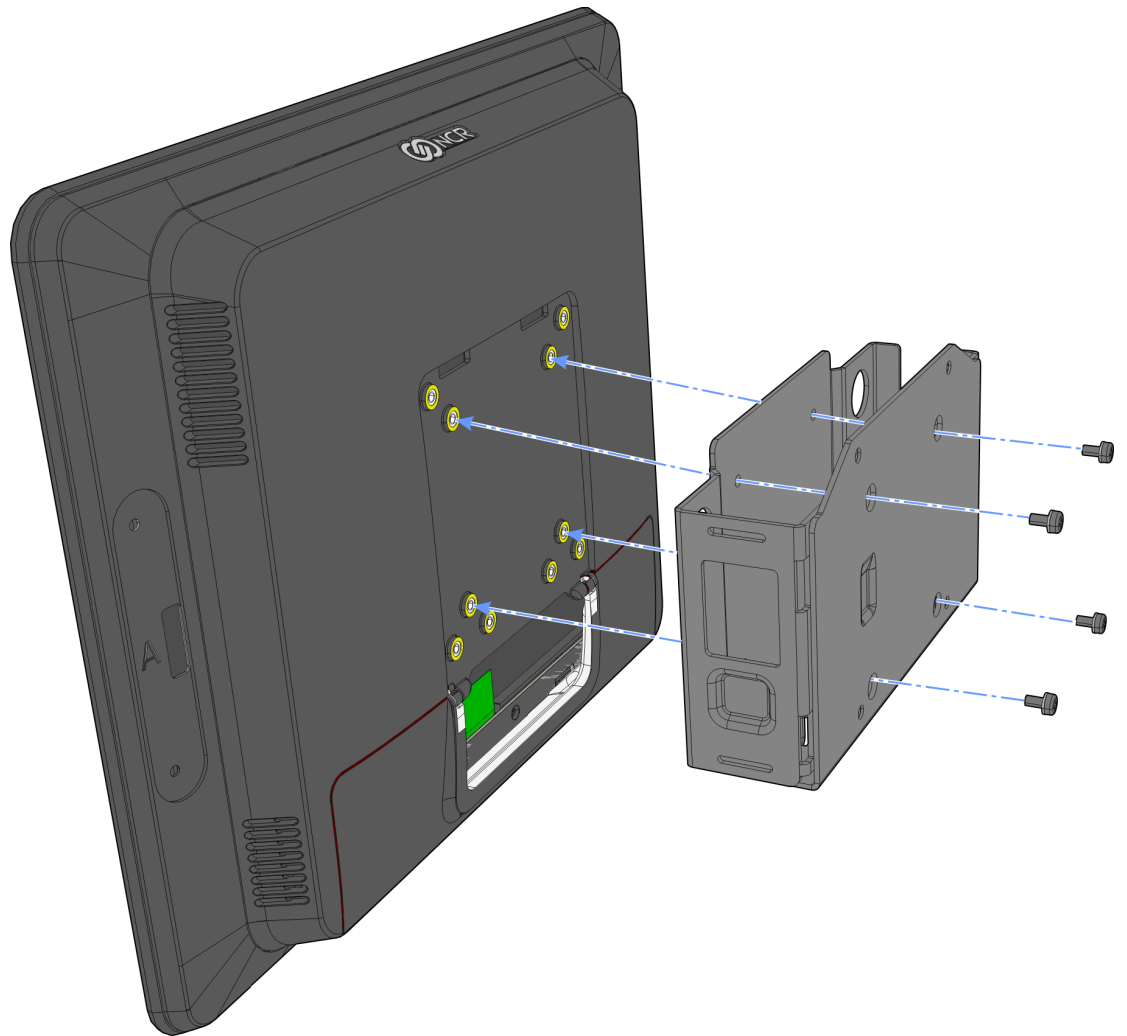


Note: At least one row of screws should be installed directly into a wood stud. At least one row of remaining screws should be installed with 1/4 inch diameter, 2 1/4 inch hollow wall anchors.



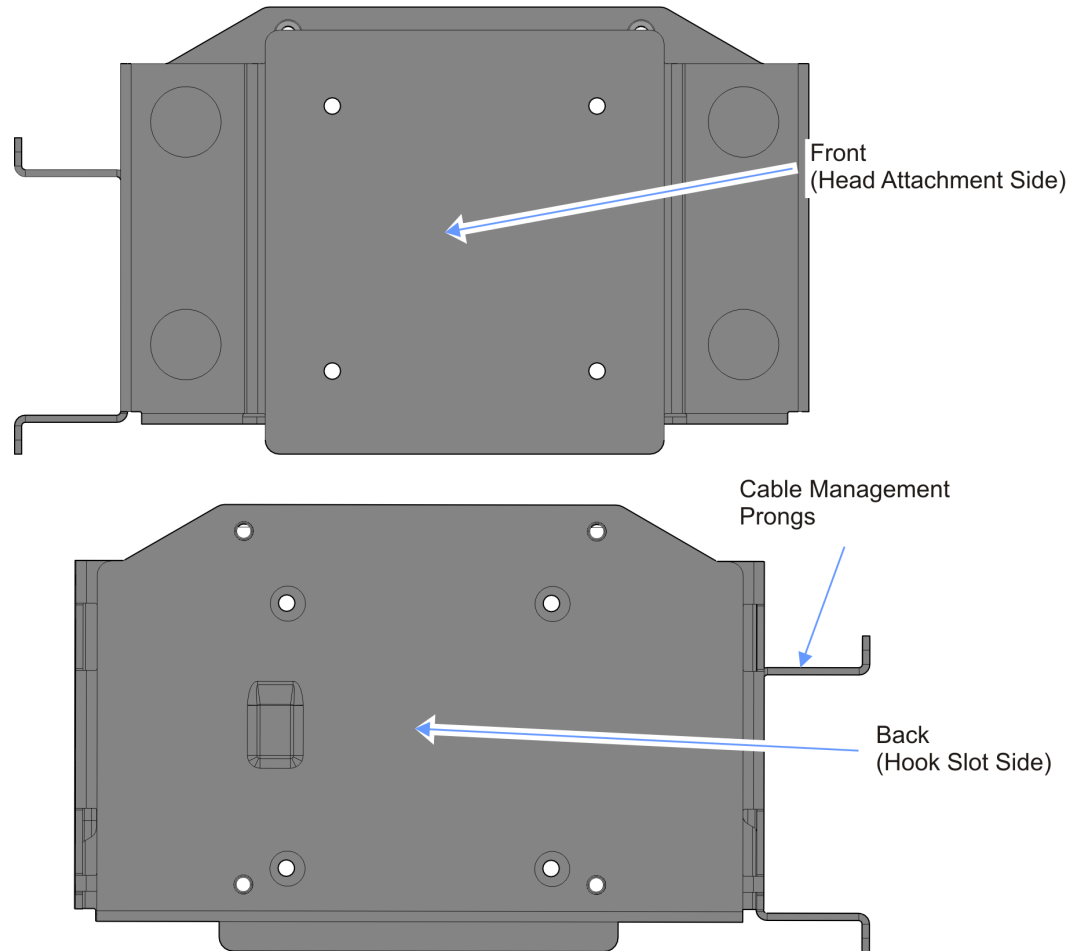
ATL-34052

2. Install the 497-0509698 Power Supply Wall Mount Bracket onto the back of the terminal with the supplied screws (4).



ATL-34050

3. Install the Power Supply into the compartment in the Power Supply Bracket.
 - a. Slide the Power Supply into the bracket so the Power Supply power plug (AC) will be in the upper right corner.
 - b. Secure any excess DC power cord onto the cord management prongs on the left side of the power supply bracket and connect the head.



ATL-34051

4. Hang the terminal on the 497-0509699 Flat Mount Plate.
 - a. Insert the Flat Mount Plate's hooks into the corresponding slots in the Power Supply Bracket.
 - b. Slide the terminal down to lock the bracket and plate together.
 - c. Secure the bracket and plate with the Thumb Screw.

