

# KIT INSTRUCTIONS

## Serial Expansion VESA Bracket

7702-K323  
Issue A



---

The product described in this book is a licensed product of NCR Corporation.

NCR is a registered trademark of NCR Corporation. NCR RealPOS is a trademark of NCR Corporation in the United States and/or other countries. Other product names mentioned in this publication may be trademarks or registered trademarks of their respective companies and are hereby acknowledged.

The terms HDMI and HDMI High-Definition Multimedia Interface, and the HDMI Logo are trademarks or registered trademarks of HDMI Licensing LLC in the United States and other countries.

Where creation of derivative works, modifications or copies of this NCR copyrighted documentation is permitted under the terms and conditions of an agreement you have with NCR, NCR's copyright notice must be included.

It is the policy of NCR Corporation (NCR) to improve products as new technology, components, software, and firmware become available. NCR, therefore, reserves the right to change specifications without prior notice.

All features, functions, and operations described herein may not be marketed by NCR in all parts of the world. In some instances, photographs are of equipment prototypes. Therefore, before using this document, consult with your NCR representative or NCR office for information that is applicable and current.

To maintain the quality of our publications, we need your comments on the accuracy, clarity, organization, and value of this book.

Address correspondence to:

Manager, Information Solutions Group  
NCR Corporation  
Discovery Centre, 3 Fulton Road  
Dundee, DD2 4SW  
Scotland

Internet Address:

<http://www.info.ncr.com/Feedback>

Copyright © 2015  
By NCR Corporation  
Duluth, GA U.S.A.  
All Rights Reserved

## Revision Record

Issue	Date	Remarks
A	Jun 2015	First Issue

---

# 3-Port Serial Expansion

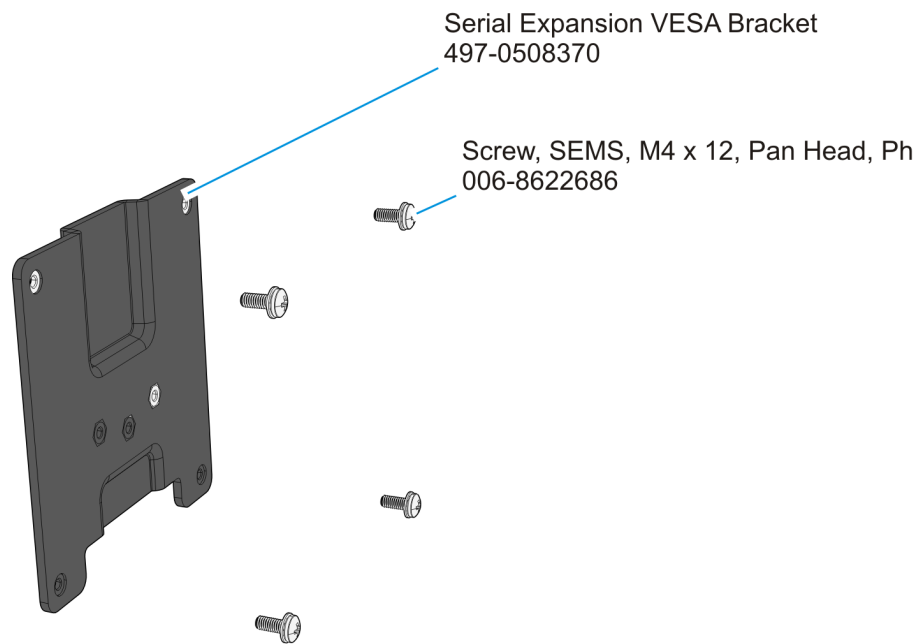
---

This kit provides an adapter plate for installing an NCR RealPOS XR7 on a 3rd party VESA mount when the XR7 is configured with the Serial Port Expansion feature. there are two versions of the Serial Port Expansion feature:

- 3-Port Serial Expansion (7702-K161) for standard NCR peripherals
- HSR RJ12 Expansion (7702-K160) for HSR peripherals

The installation procedures are the same for both versions.

## Components

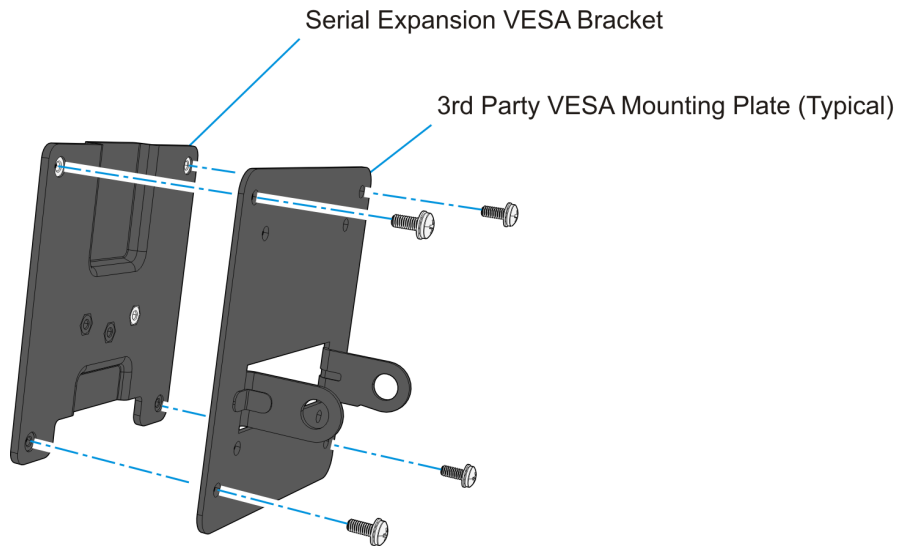


## Installation Procedures



**Note:** Since the mounting scheme could be on a wall, table stand, or kiosk only the the VESA mounting plate is shown.

1. Install the Serial Expansion VESA Bracket on the 3rd party mount (4 screws).

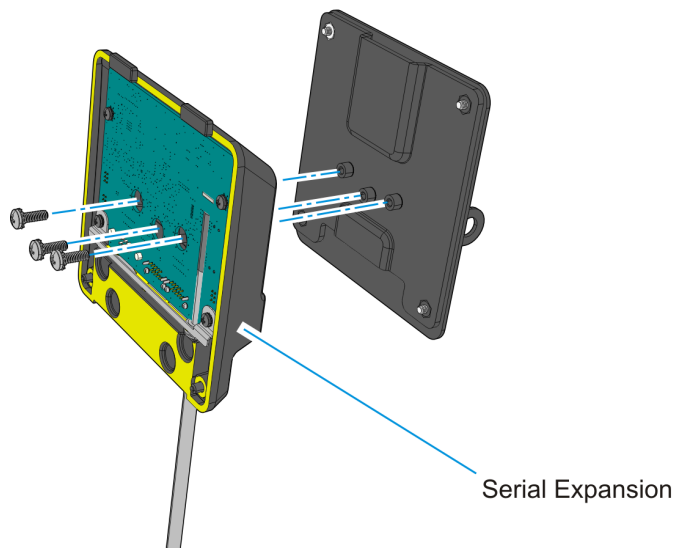


33877



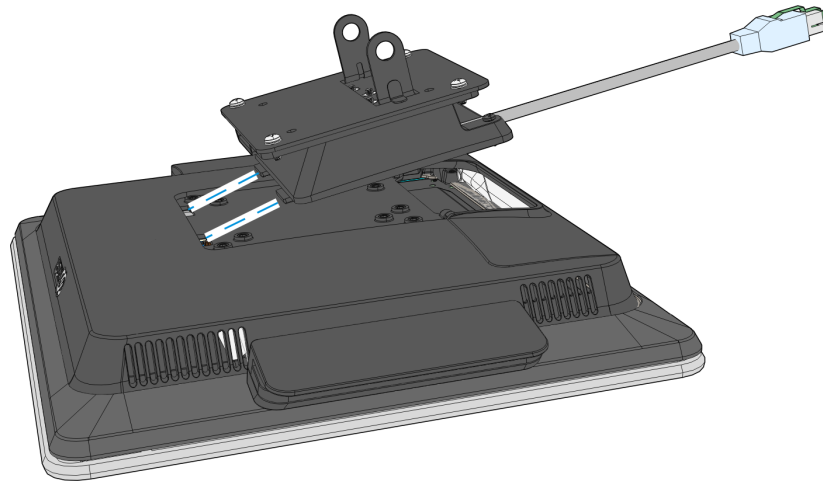
**Caution:** The M4 x 12 mm length works for 3rd party VESA plates with a thickness range of 2 – 6 mm. Anything outside of this range requires different length screws and selection is the end users discretion.

2. Install the Serial Expansion Module on the mounting plate(3 screws).



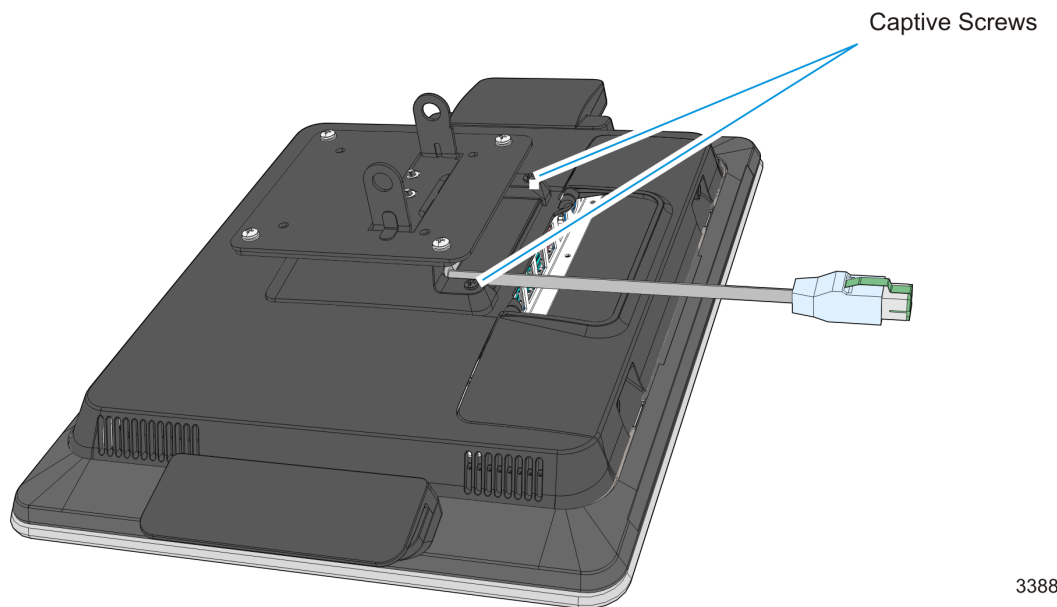
33878

3. Secure the mount to the terminal (2 captive screws).
  - a. Insert the Mounting Plate Studs (2) into the openings in the Rear Cover and rotate the Table Top Stand downward.



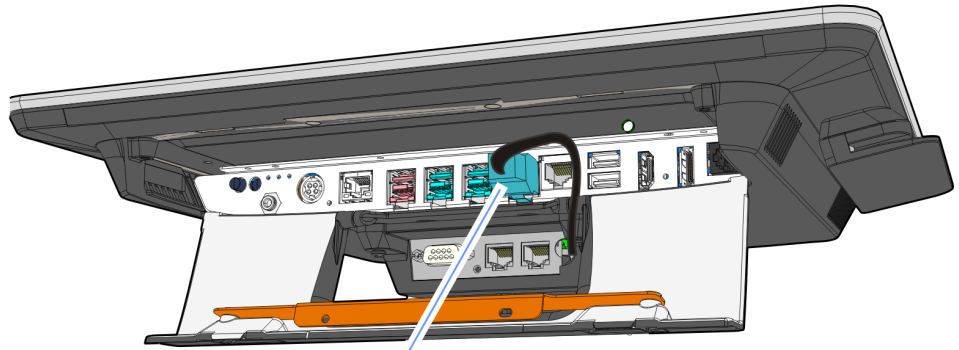
33880

- b. Secure the mount to the terminal (2 captive screws).



33881

4. Connect the Serial Expansion Power/USB Cable to the terminal I/O Panel.



Serial Expansion Power/USB Cable