

Kit Instructions

Wall Mount - Serial Expansion

7702-K322
Issue B



The product described in this document is a licensed product of NCR Corporation.

NCR is a registered trademark of NCR Corporation. NCR POS is a trademark of NCR Corporation in the United States and/or other countries. Other product names mentioned in this publication may be trademarks or registered trademarks of their respective companies and are hereby acknowledged.

The terms HDMI and HDMI High-Definition Multimedia Interface, and the HDMI Logo are trademarks or registered trademarks of HDMI Licensing LLC in the United States and other countries.

Where creation of derivative works, modifications or copies of this NCR copyrighted documentation is permitted under the terms and conditions of an agreement you have with NCR, NCR's copyright notice must be included.

It is the policy of NCR Corporation (NCR) to improve products as new technology, components, software, and firmware become available. NCR, therefore, reserves the right to change specifications without prior notice.

All features, functions, and operations described herein may not be marketed by NCR in all parts of the world. In some instances, photographs are of equipment prototypes. Therefore, before using this document, consult with your NCR representative or NCR office for information that is applicable and current.

To maintain the quality of our publications, we need your comments on the accuracy, clarity, organization, and value of this book. Please use the link below to send your comments.

Email: FD230036@ncr.com

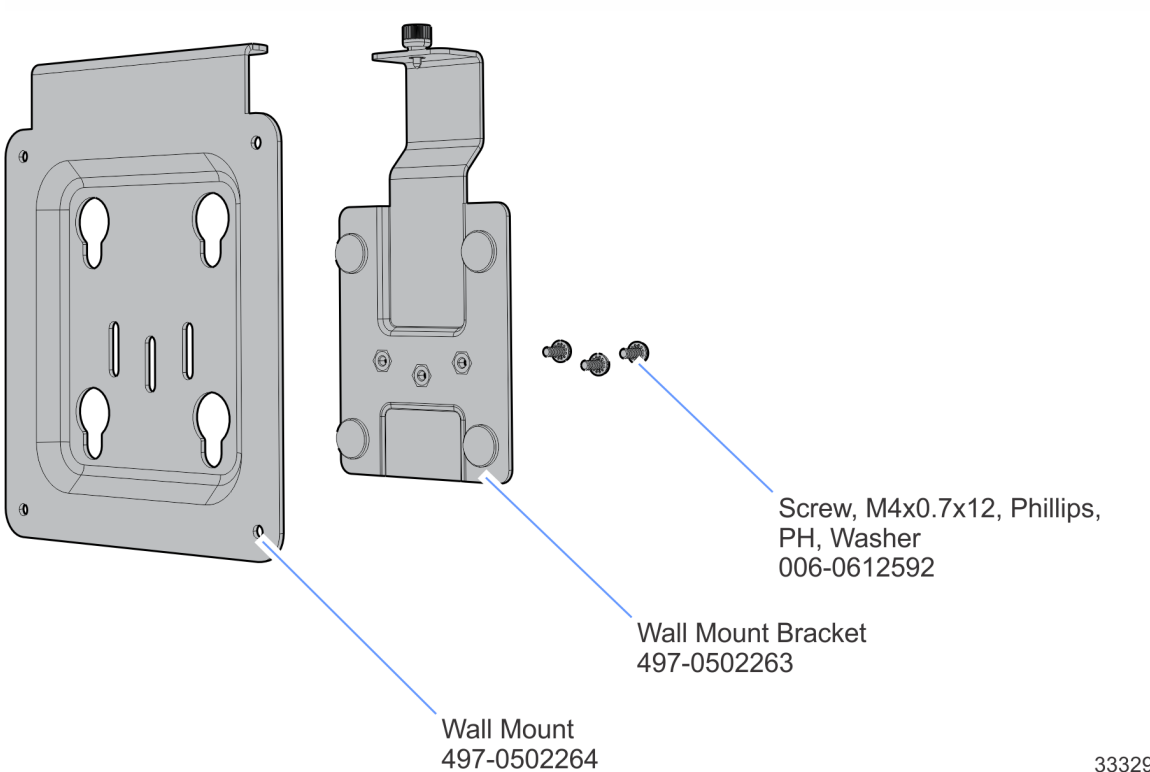
Copyright © 2018–2019
By NCR Corporation
Global Headquarters
864 Spring St NW
Atlanta, GA 30308
U.S.A.
All Rights Reserved

Revision Record

Issue	Date	Remarks
A	June 2014	First Issue
B	Feb 2019	Renamed "VESA Mount" to "Wall Mount"

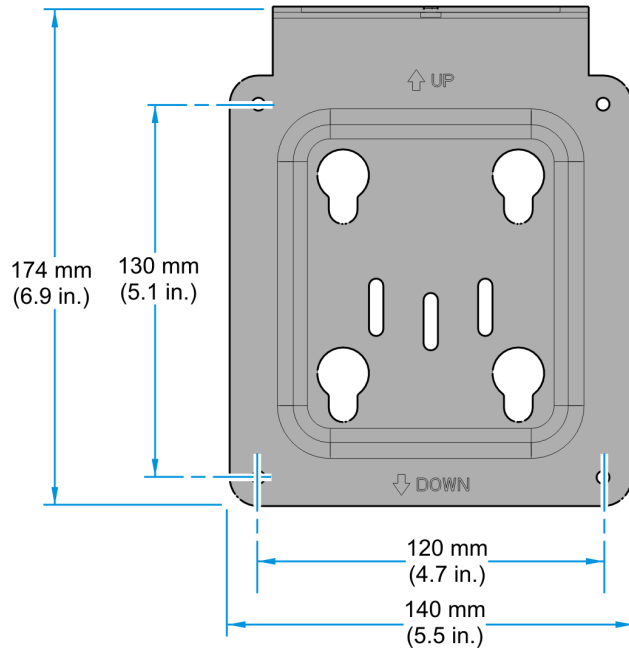
Wall Mount - Serial Expansion

This kit provides components to secure a RealPOS XR7 POS that is configured with the Serial Expansion feature to a vertical surface.



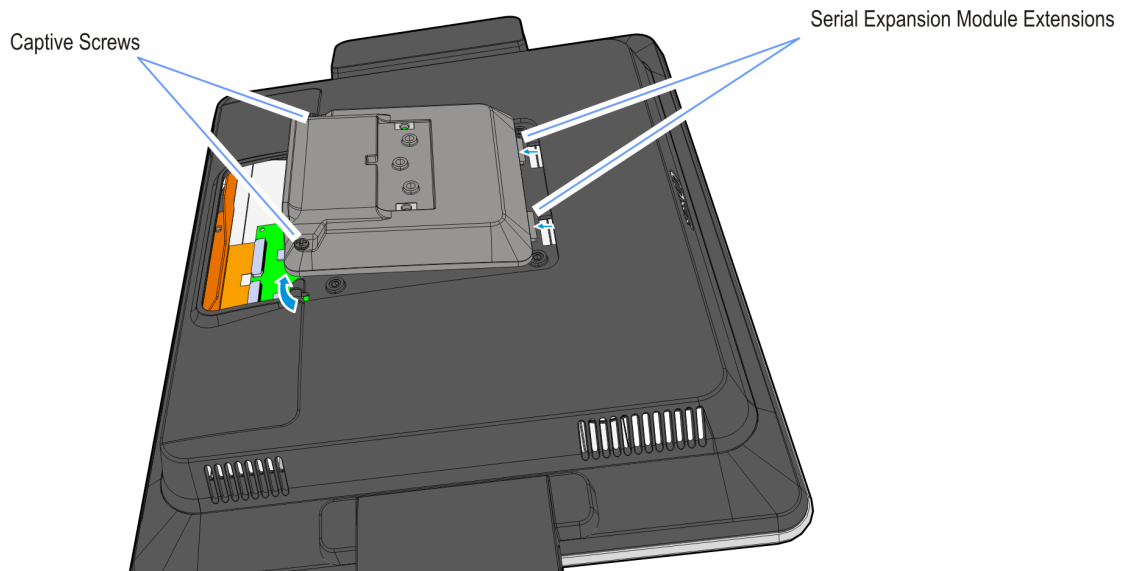
Installation Procedures

1. Secure the Wall Mount (with UP arrow pointing up) to the vertical surface using lag screws (4). Make sure to install the screws into the studs or to use hardware of similar strength. Use the Wall Mount as a template to mark the location of the holes or use the dimensions shown below.



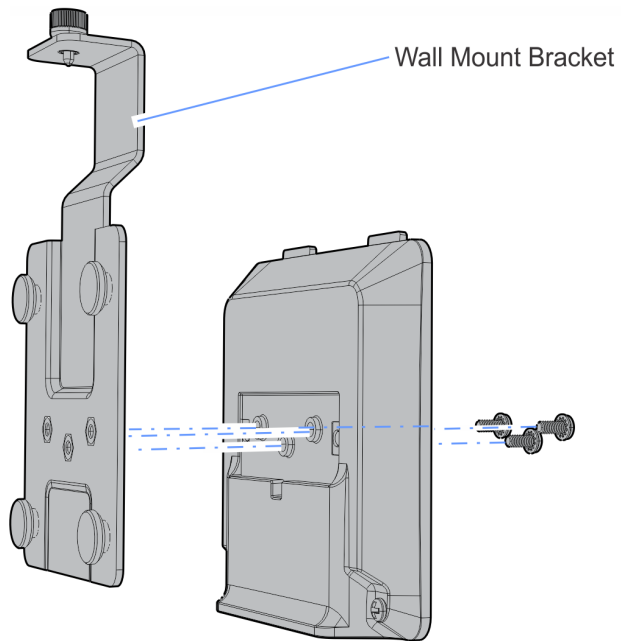
33327

2. Remove the Serial Expansion Module from the terminal.
 - a. Loosen the captive screws (2).
 - b. Pivot the bottom end of the module up and then remove the extensions on the top end from the slots in the Rear Cabinet.



33331

3. Install the Wall Mount Bracket (with the thumbscrew facing up) onto the Serial Expansion Module with the supplied screws (3).



33332

4. Reinstall the Serial Expansion Module onto the terminal.

5. Hang the terminal on the Wall Mount.
 - a. Insert the mushroom studs on the Wall Mount Bracket into the elongated slots on the Wall Mount.
 - b. Slide the terminal down to lock the Wall Mount Bracket and Wall Mount together.
 - c. Secure the Wall Mount Bracket and Wall Mount with the thumbscrew.

