

# Kit Instructions

Innovative Pole Solutions

7702-K309, K310, K311, K314, K315, K316, K317  
Issue A



---

The product described in this book is a licensed product of NCR Corporation.

NCR is a registered trademark of NCR Corporation. NCR RealPOS is a trademark of NCR Corporation in the United States and/or other countries. Other product names mentioned in this publication may be trademarks or registered trademarks of their respective companies and are hereby acknowledged.

The terms HDMI and HDMI High-Definition Multimedia Interface, and the HDMI Logo are trademarks or registered trademarks of HDMI Licensing LLC in the United States and other countries.

Where creation of derivative works, modifications or copies of this NCR copyrighted documentation is permitted under the terms and conditions of an agreement you have with NCR, NCR's copyright notice must be included.

It is the policy of NCR Corporation (NCR) to improve products as new technology, components, software, and firmware become available. NCR, therefore, reserves the right to change specifications without prior notice.

All features, functions, and operations described herein may not be marketed by NCR in all parts of the world. In some instances, photographs are of equipment prototypes. Therefore, before using this document, consult with your NCR representative or NCR office for information that is applicable and current.

To maintain the quality of our publications, we need your comments on the accuracy, clarity, organization, and value of this book. Please use the link below to send your comments.

*Email:* [FD230036@ncr.com](mailto:FD230036@ncr.com)

Copyright © 2019  
By NCR Corporation  
Global Headquarters  
864 Spring St NW  
Atlanta, GA 30308  
U.S.A.  
All Rights Reserved

---

# Table of Contents

## Introduction

### 7702-K309 Dual Yoke Adapter

Kit Contents .....	3
Installation Procedure .....	3

### 7702-K310 NCR Cash Drawer Integration Platform Adapter

Kit Contents .....	5
Installation Procedure .....	5

### 7702-K311 HD Tilter and Quick-Release Adapter

Kit Contents .....	9
Installation Procedure .....	10

### 7702-K314/K317 Thru Mount Pole with HD Tilter and Quick-Release Adapter

Kit Contents .....	13
Installation Procedure .....	14

### 7702-K315 Freestanding Base

Kit Contents .....	17
Installation Procedure .....	17

### 7702-K316 4" Extension Arm

Kit Contents .....	19
Installation Procedure .....	19

## Revision Record

Issue	Date	Remarks
A	Mar 2019	First Issue

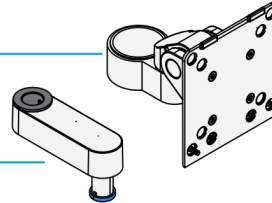
---

# Introduction

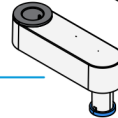
---

This document is for the Innovative Pole Solutions kits.

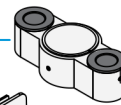
**7702-K311**  
Additional HD Tilter and  
Quick-Release Adapter



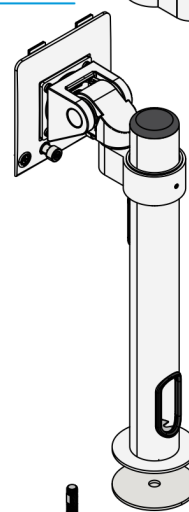
**7702-K316**  
4" Extension Arm



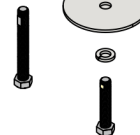
**7702-K309**  
Dual Yoke Adapter



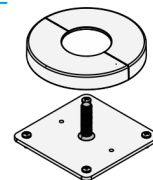
**7702-K314**  
14" Thru Mount Pole Kit with  
HD Tilter and  
Quick-Release Adapter



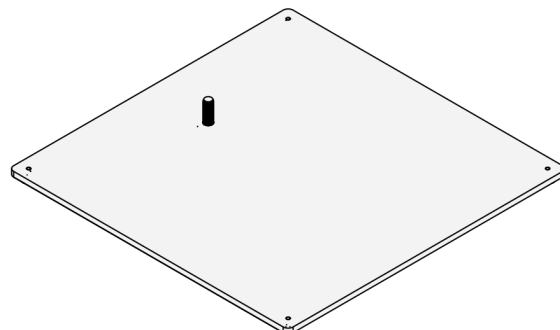
**7702-K317**  
17" Thru Mount Pole Kit with  
HD Tilter and  
Quick-Release Adapter



**7702-K310**  
NCR Cash Drawer  
Integration Platform Adapter



**7702-K315**  
Medium 14"x14"x0.25"  
Freestanding Base



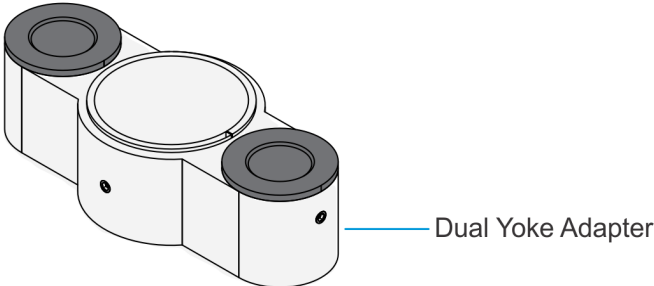


---

# 7702-K309 Dual Yoke Adapter

---

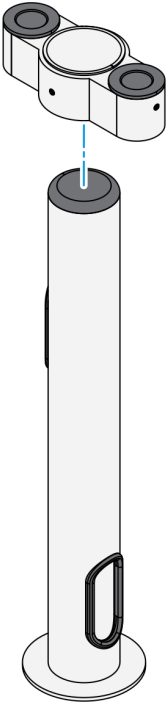
## Kit Contents



CCP-76521

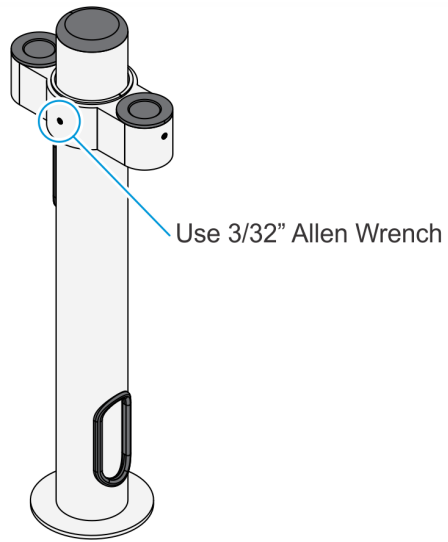
## Installation Procedure

1. Install the Dual Yoke Adapter on the Pole.



CCP-76522

2. Adjust the height of the Dual Yoke Adapter and use a 3/32" Allen Wrench to fix it at the desired height.



CCP-76523

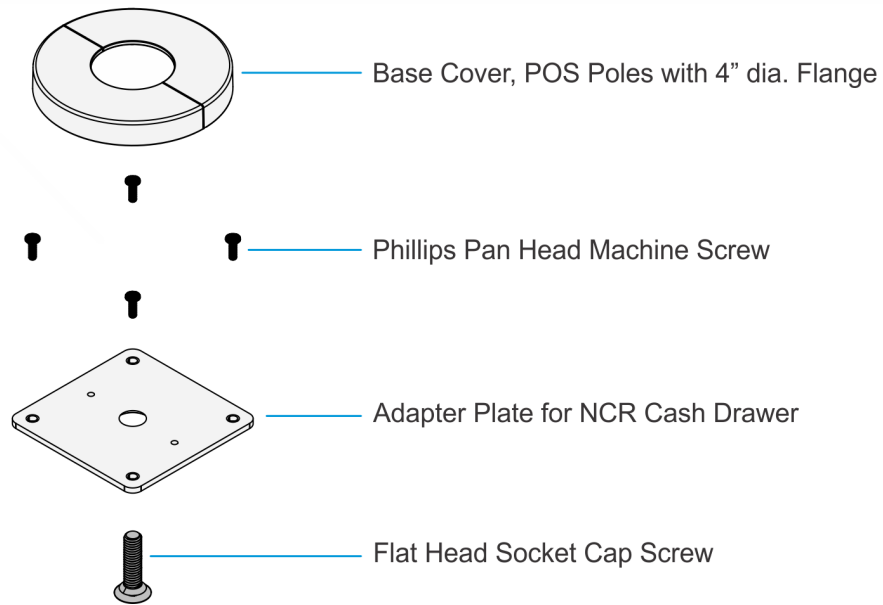


---

# 7702-K310 NCR Cash Drawer Integration Platform Adapter

---

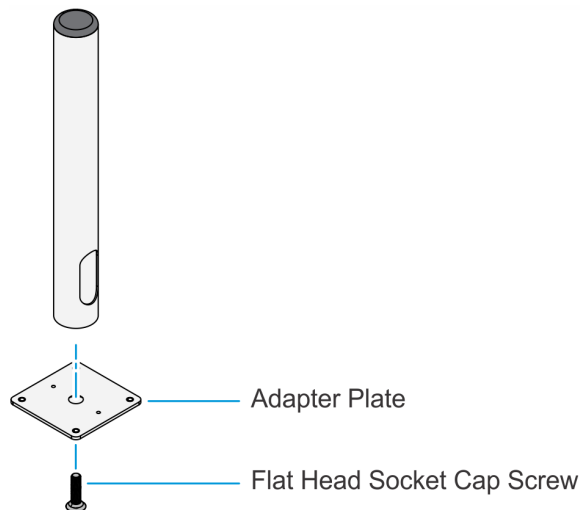
## Kit Contents



CCP-76525

## Installation Procedure

1. Install the Pole on the Adapter Plate using the Flat Head Socket Cap Screw.

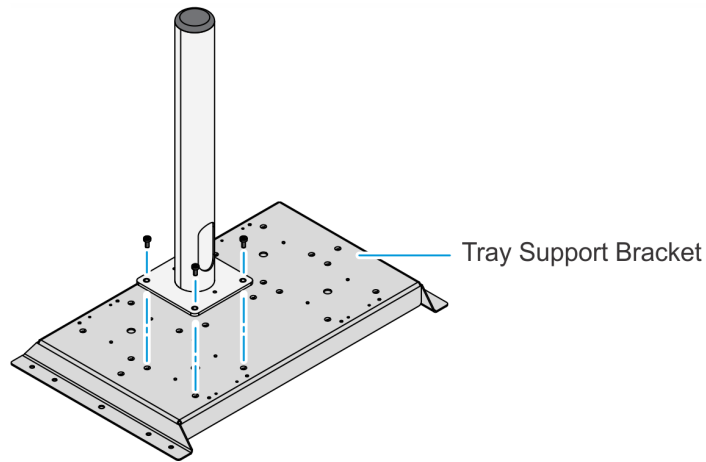


CCP-76530

2. Install the Adapter Plate and Pole Assembly on the Tray Support Bracket using four (4) Phillips Pan Head Machine Screws.

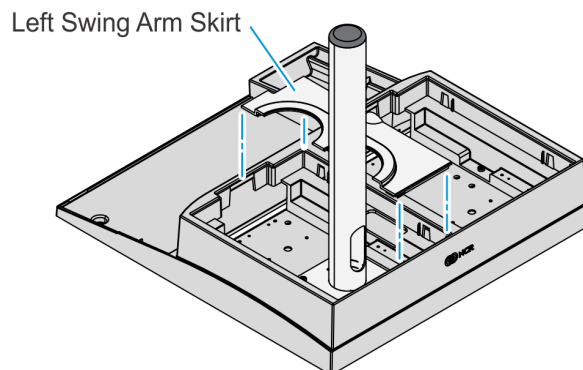


**Note:** The Integration Tray is not shown in the illustration for clarity.



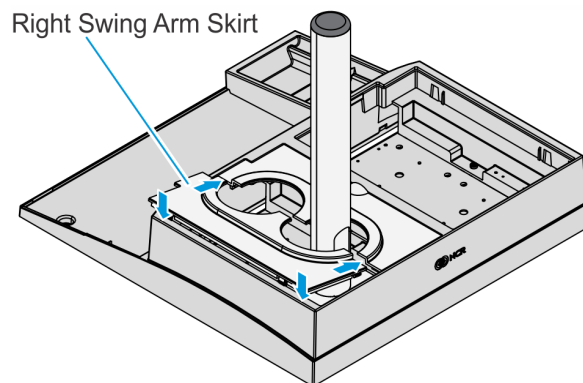
CCP-76531

3. Install the Left Swing Arm Skirt.



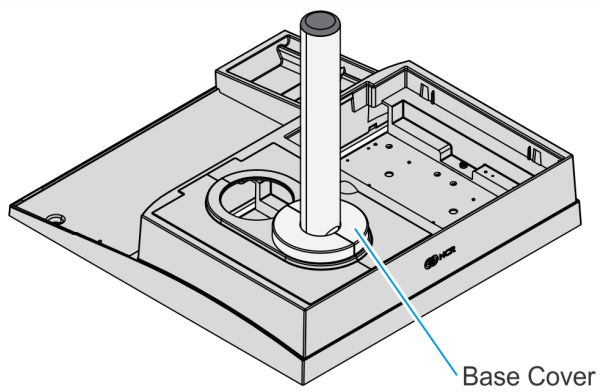
CCP-76533

4. Align the Right Swing Art Skirt with the Left Swing Arm Skirt and snap it into position.



CCP-76534

5. Install the Base Cover on the Pole as shown.



CCP-76532

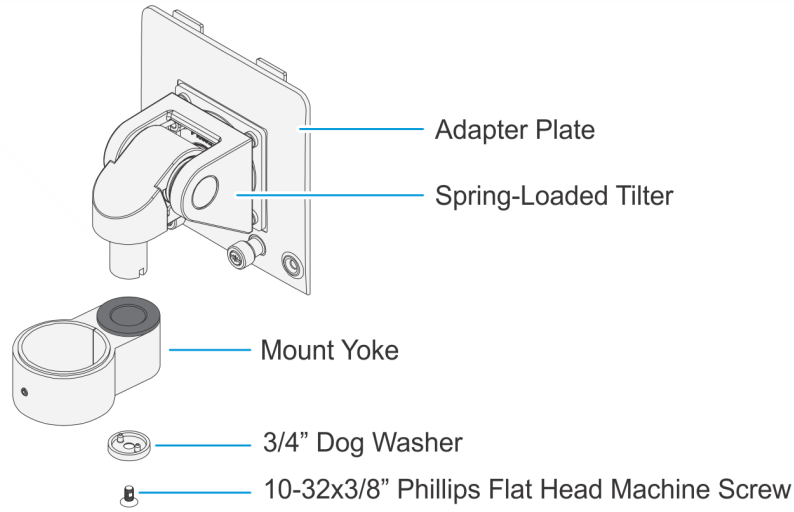


---

# 7702-K311 HD Tilter and Quick-Release Adapter

---

## Kit Contents



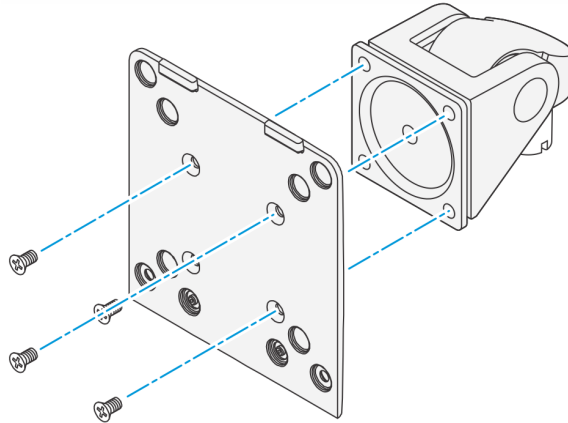
CCP-76524

### Not Shown:

- **10-32x3/8" Pan Head Phillips Screw (Qty. 4)** – To mount the Adapter Plate on the Spring-Loaded Tilter
- **M4-0.7x12mm Flat Head Phillips Machine Screw (Qty. 2)** – To secure the Adapter Plate on the terminal
- **3/32" Allen Wrench**
- **7/32" Allen Wrench**

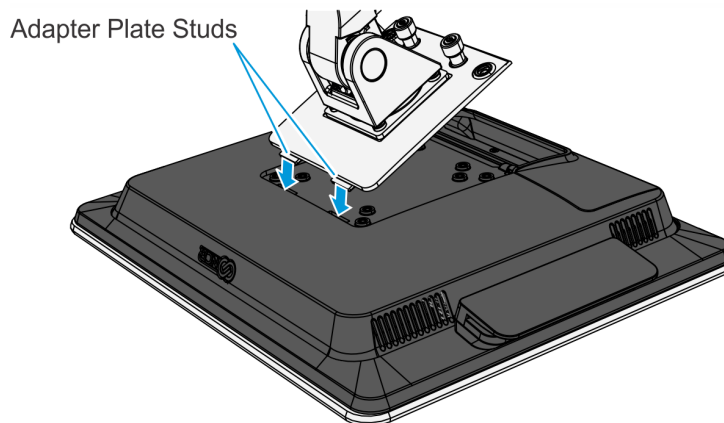
## Installation Procedure

1. Install the Adapter Plate on the Spring-Loaded Tilter using four (4) 10-32x3/8" Pan Head Phillips Screws.



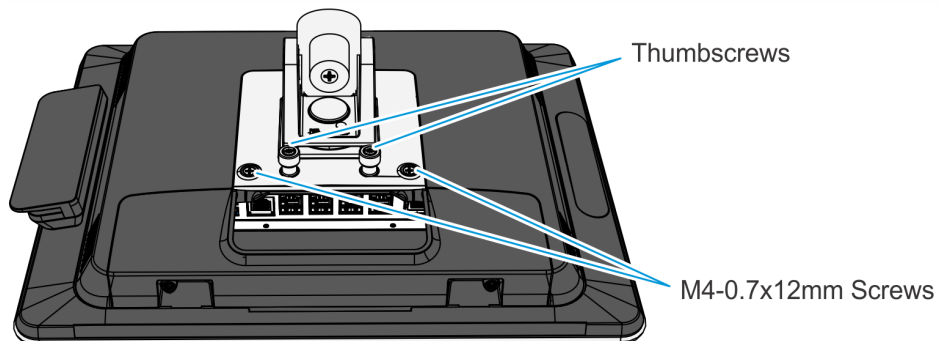
CCP-76544

2. Insert the Adapter Plate studs (2) into the openings in the Rear Cover of the Terminal at a slight angle as shown.



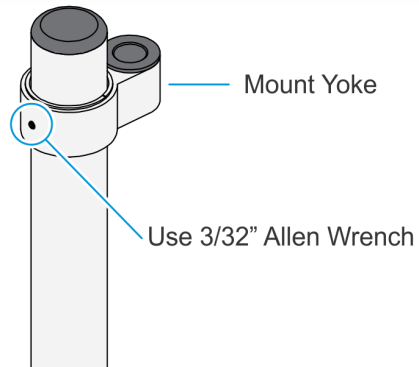
CCP-76539

3. Rotate the Adapter Plate flush onto the Rear Cover and tighten the thumbscrews. Secure the Adapter Plate with two (2) M4-0.7x12mm screws.



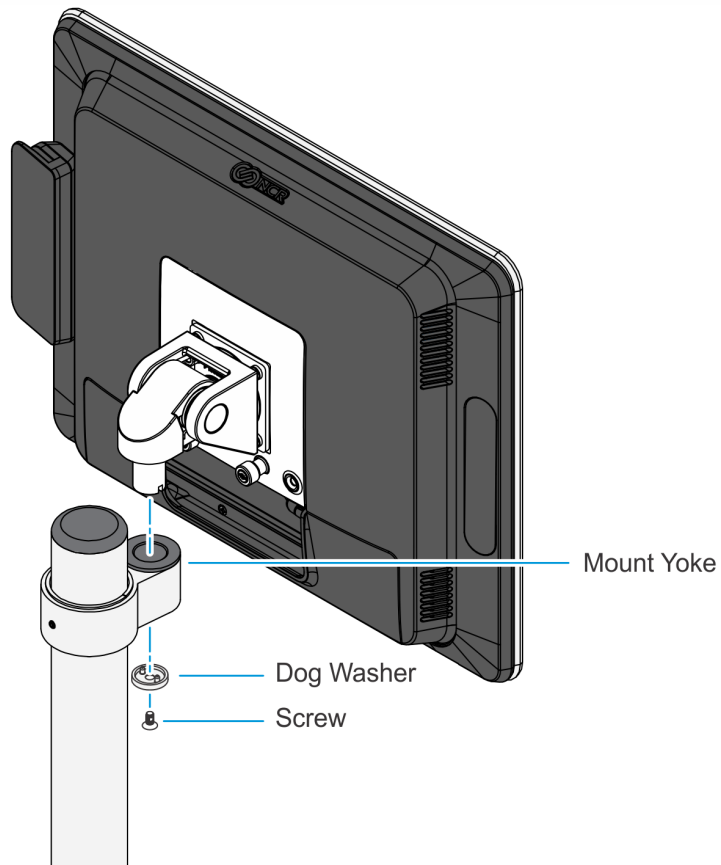
CCP-76538

4. Install the Mount Yoke on the Pole. Adjust the height of the Yoke and use a 3/32" Allen Wrench to fix it at the desired height.



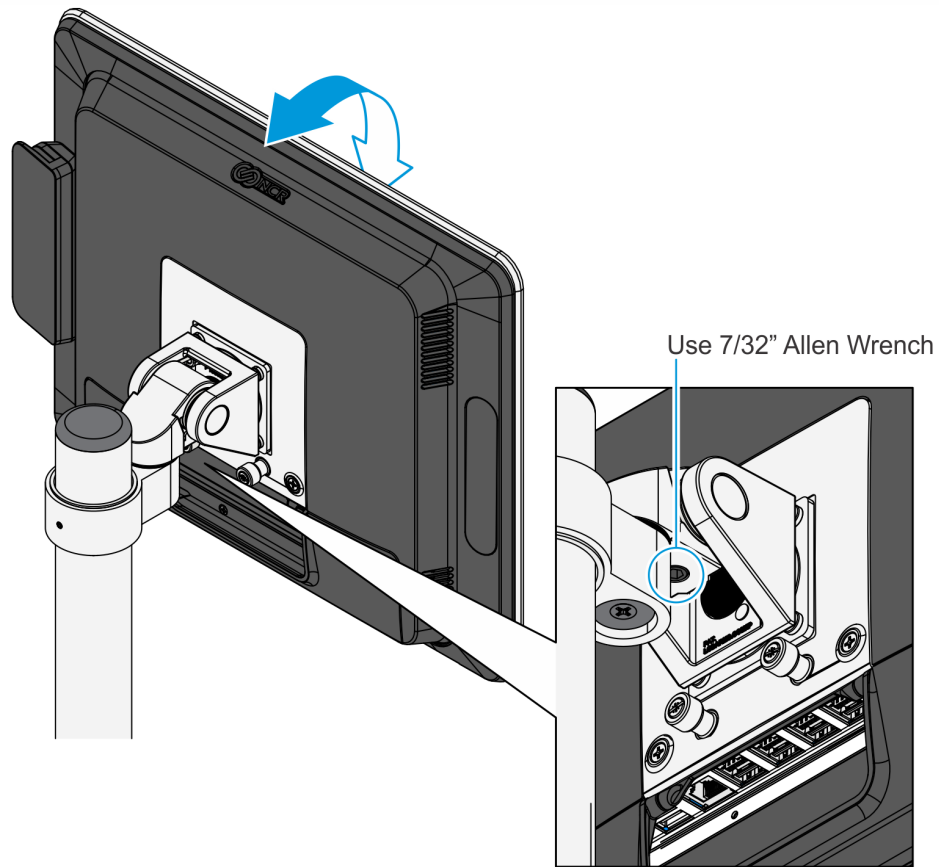
CCP-76537

5. Install the Terminal and Adapter Plate Assembly on the Yoke using the Dog Washer, and 10-32x3/8" Phillips Flat Head Machine Screw.



CCP-76536

- Adjust the tilt angle of the terminal and use a 7/32" Allen Wrench to fix it in the desired angle.



CCP-76535

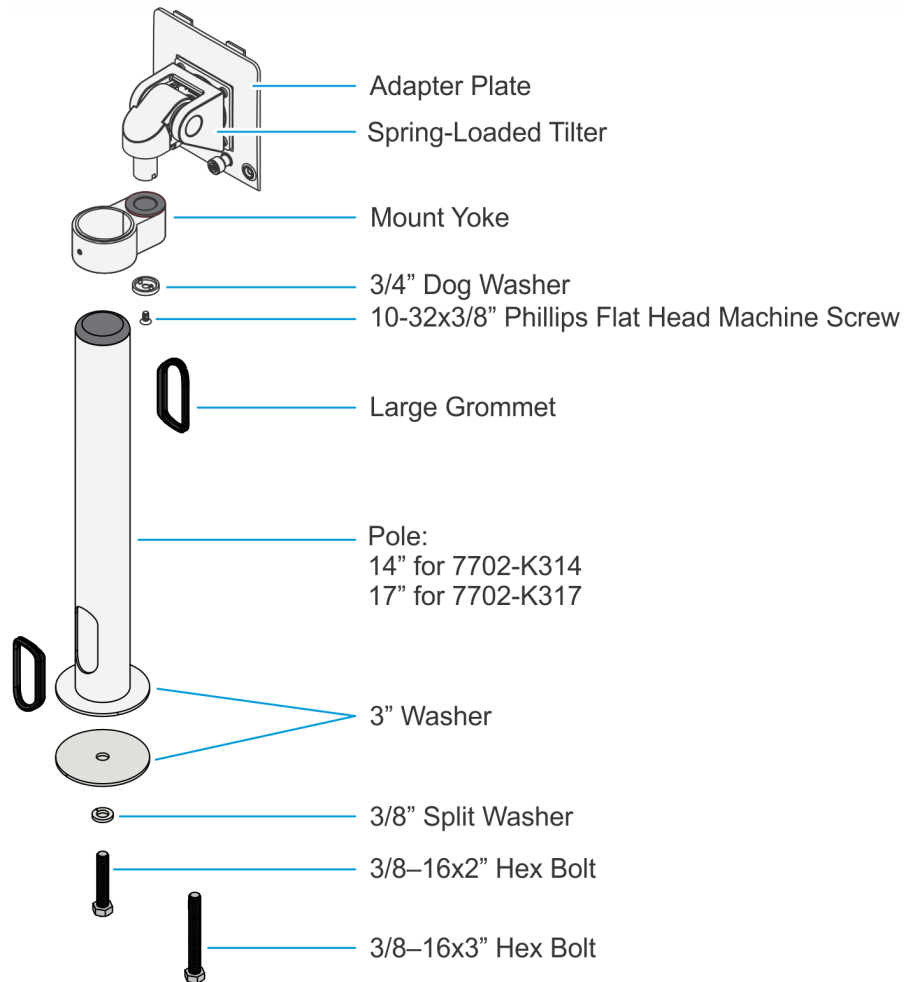


---

# 7702-K314/K317 Thru Mount Pole with HD Tilter and Quick-Release Adapter

---

## Kit Contents



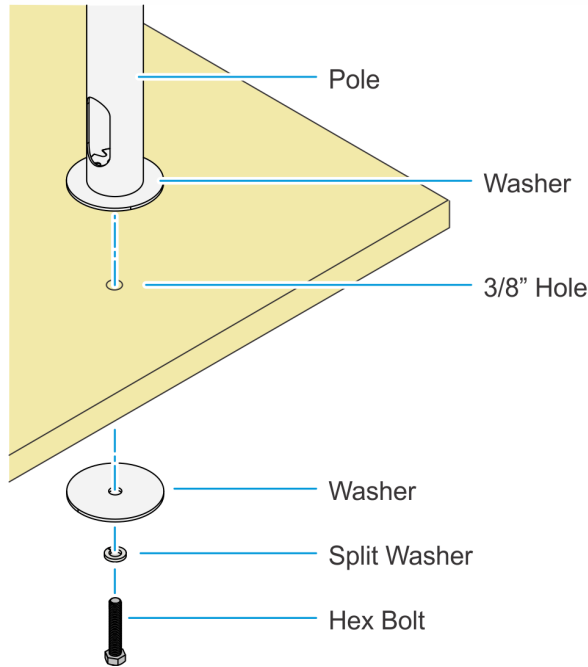
CCP-76543

### Not Shown:

- **10-32x3/8" Pan Head Phillips Screw (Qty. 4)** – To mount the Adapter Plate on the Spring-Loaded Tilter
- **M4-0.7x12mm Flat Head Phillips Machine Screw (Qty. 2)** – To secure the Adapter Plate on the terminal
- **3/32" Allen Wrench**
- **7/32" Allen Wrench**

## Installation Procedure

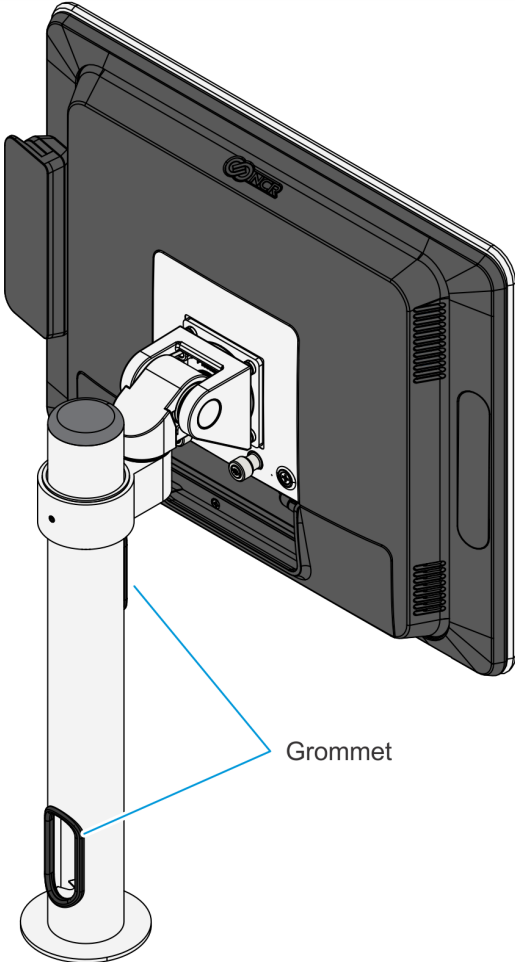
1. Install the Pole on the tabletop.
  - a. Drill a 3/8" hole through the tabletop.
  - b. Secure the Pole on the tabletop using the Washer (2), Split Washer, and Hex Bolt.



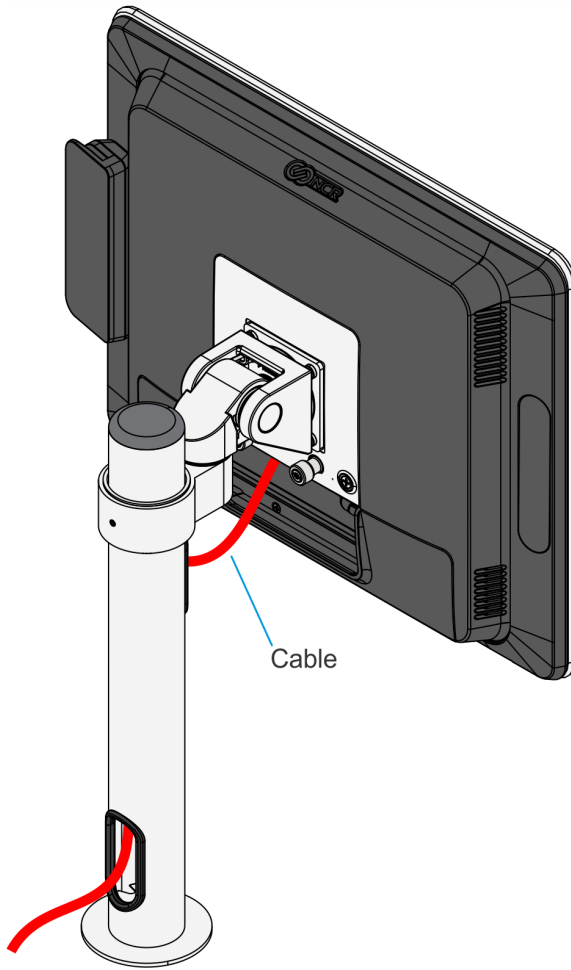
CCP-76542

2. Install the HD Tilter and Quick-Release Adapter and Mount Yoke. For more information, refer to [HD Tilter and Quick-Release Adapter](#).

3. Install the Grommets on the cable openings of the Pole.



4. Route the cable(s) through the Pole.

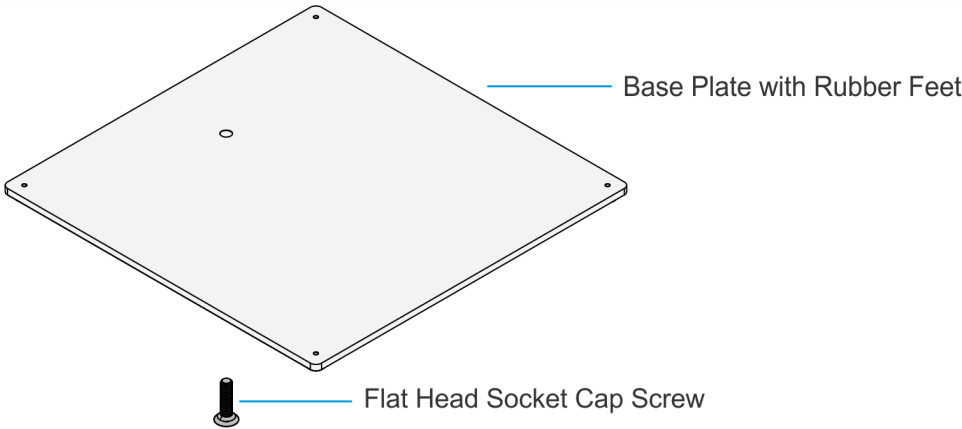


---

# 7702-K315 Freestanding Base

---

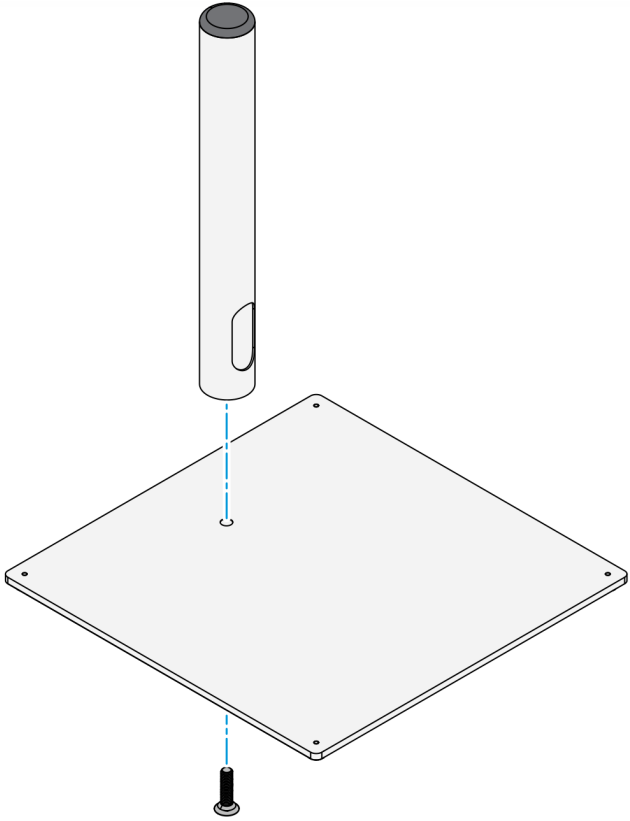
## Kit Contents



CCP-76527

## Installation Procedure

Install the Pole on the Freestanding Base using the Flat Head Socket Cap Screw.



CCP-76528

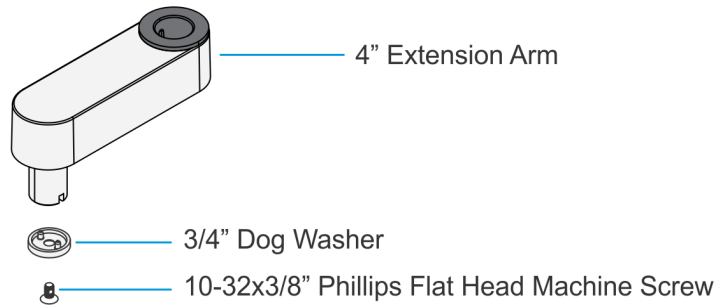


---

# 7702-K316 4" Extension Arm

---

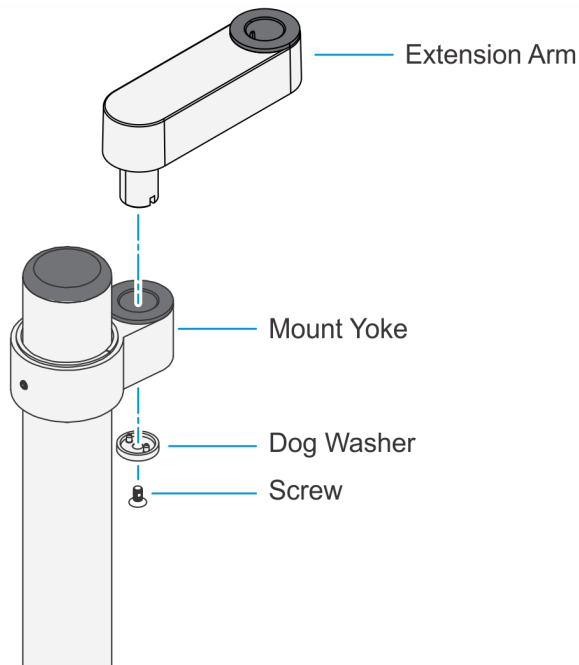
## Kit Contents



CCP-76526

## Installation Procedure

Install the Extension Arm on the Mount Yoke using the Dog Washer and 10-32x3/8" Phillips Flat Head Machine Screw.



CCP-76529

