

KIT INSTRUCTIONS

RealPOS XR7 Integration Tray

7702-K304
Issue D



The product described in this book is a licensed product of NCR Corporation.

NCR is a registered trademark of NCR Corporation. NCR RealPOS is a trademark of NCR Corporation in the United States and/or other countries. Other product names mentioned in this publication may be trademarks or registered trademarks of their respective companies and are hereby acknowledged.

The terms HDMI and HDMI High-Definition Multimedia Interface, and the HDMI Logo are trademarks or registered trademarks of HDMI Licensing LLC in the United States and other countries.

Where creation of derivative works, modifications or copies of this NCR copyrighted documentation is permitted under the terms and conditions of an agreement you have with NCR, NCR's copyright notice must be included.

It is the policy of NCR Corporation (NCR) to improve products as new technology, components, software, and firmware become available. NCR, therefore, reserves the right to change specifications without prior notice.

All features, functions, and operations described herein may not be marketed by NCR in all parts of the world. In some instances, photographs are of equipment prototypes. Therefore, before using this document, consult with your NCR representative or NCR office for information that is applicable and current.

To maintain the quality of our publications, we need your comments on the accuracy, clarity, organization, and value of this book. Please use the link below to send your comments.

EMail: FD230036@ncr.com

Copyright © 2014–2018

By NCR Corporation

Duluth, GA U.S.A.

All Rights Reserved

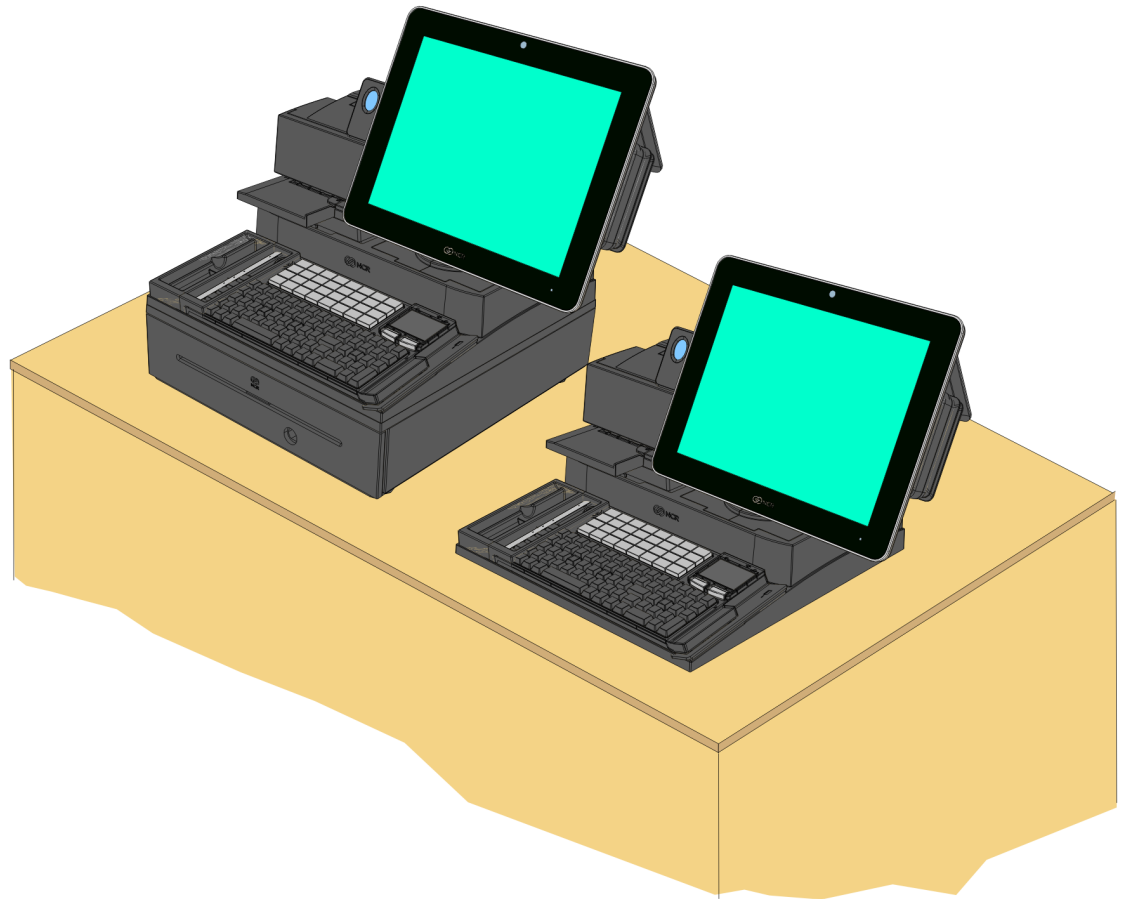
Revision Record

Issue	Date	Remarks
A	Jun 2014	First Issue
B	Mar 2016	Tray Support Bracket changed from 497-0507954 to 497-0511268
C	Feb 2018	Added 7199 Printer
D	June 2018	Removed 7459-K316 Printer Skirt

RealPOS XR7 Integration Tray

Introduction

The Integration Tray kit provides the necessary components for integrating a printer, keyboard, and Customer Display with the RealPOS XR7 terminal. It can be mounted on a flat surface or on a cash drawer.



Components

Screw, M4x0.7x8mm, SEMS
006-8611434

NCR 7702-K303 XR7 Mount
w/VESA Plate
(Reference Only)

Compact Keyboard Filler
(w/o MSR)
497-0503926

Compact Keyboard Filler
(w/MSR)
497-0503925

(Display Dependent)

006-8608194 Screw, M4 x 10, Machine, PH, STL

or

006-8611307 Screw, 6-32 x 0.312, SEMS, PH, STL

NCR 5968-K024
Display Mount
(Reference Only)

Filler Cap
497-0427258

Right Swing Arm Skirt
497-0503924

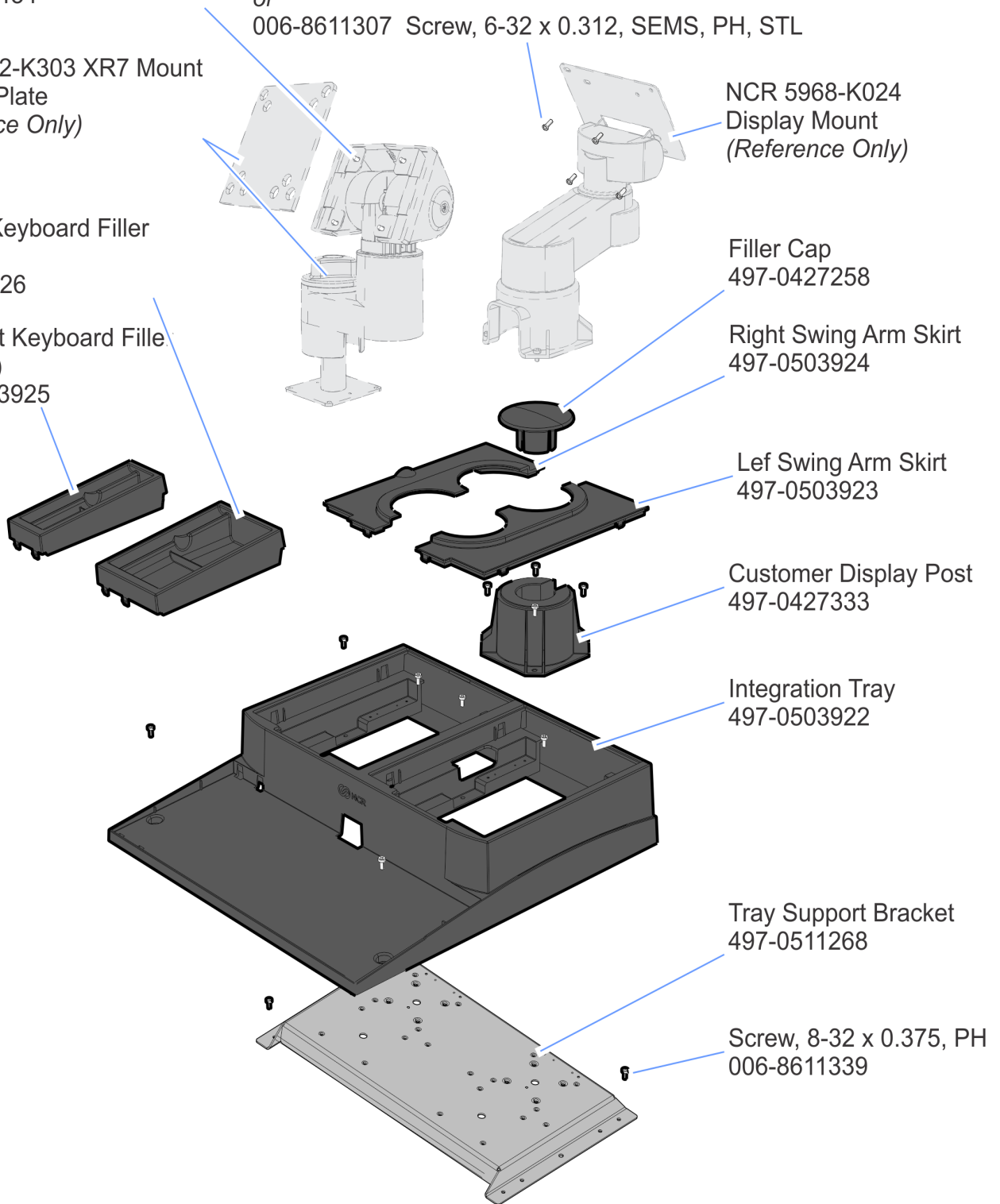
Left Swing Arm Skirt
497-0503923

Customer Display Post
497-0427333

Integration Tray
497-0503922

Tray Support Bracket
497-0511268

Screw, 8-32 x 0.375, PH
006-8611339



Installation Procedures

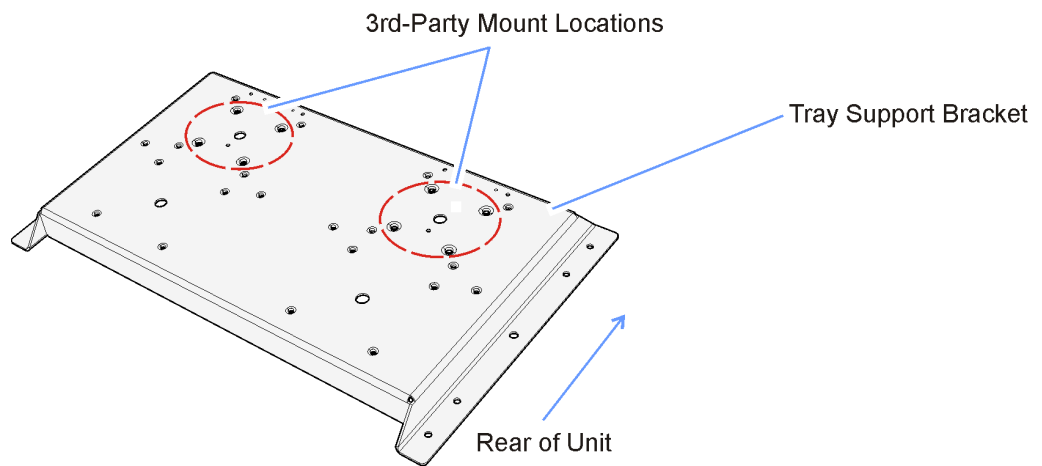
The Integration Tray can be installed on an NCR 2181 Cash Drawer or it can be installed directly onto a counter top.

Installing on a Cash Drawer

1. Position the Tray Support Bracket on a Cash Drawer and secure it using the supplied screws (4).

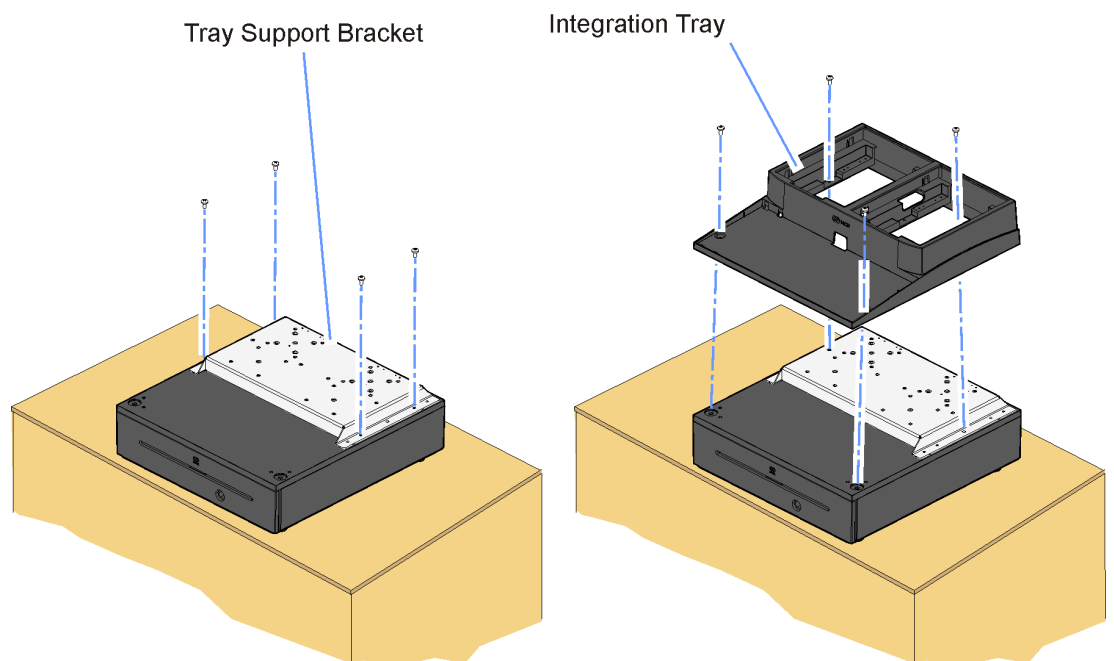


Note: The mounting holes for the 3rd-party mount must be located toward the rear of the unit.



32339

2. Position the Integration Tray on top of the Tray Support Bracket and secure it with screws (4).



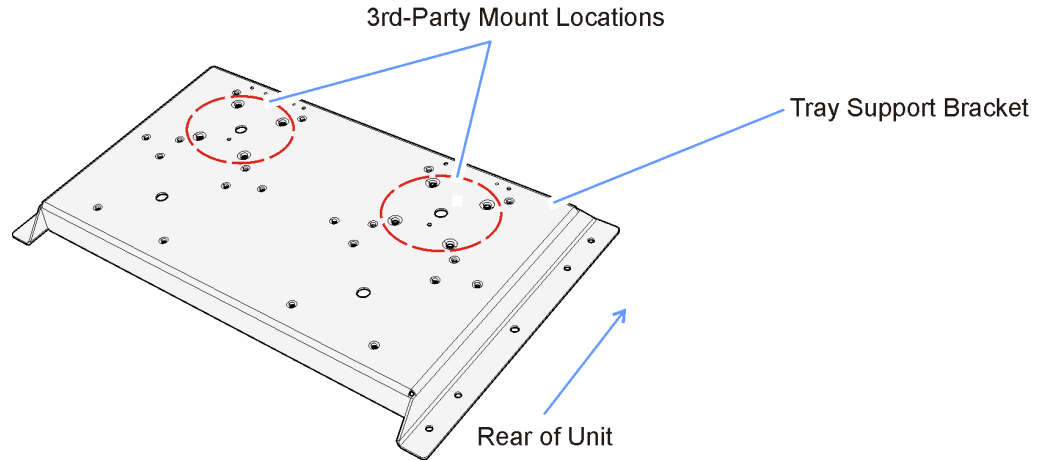
26314a

Installing on a Counter Top

1. Position the Tray Support Bracket on the counter top and secure it with screws (4) that are appropriate for the surface type.

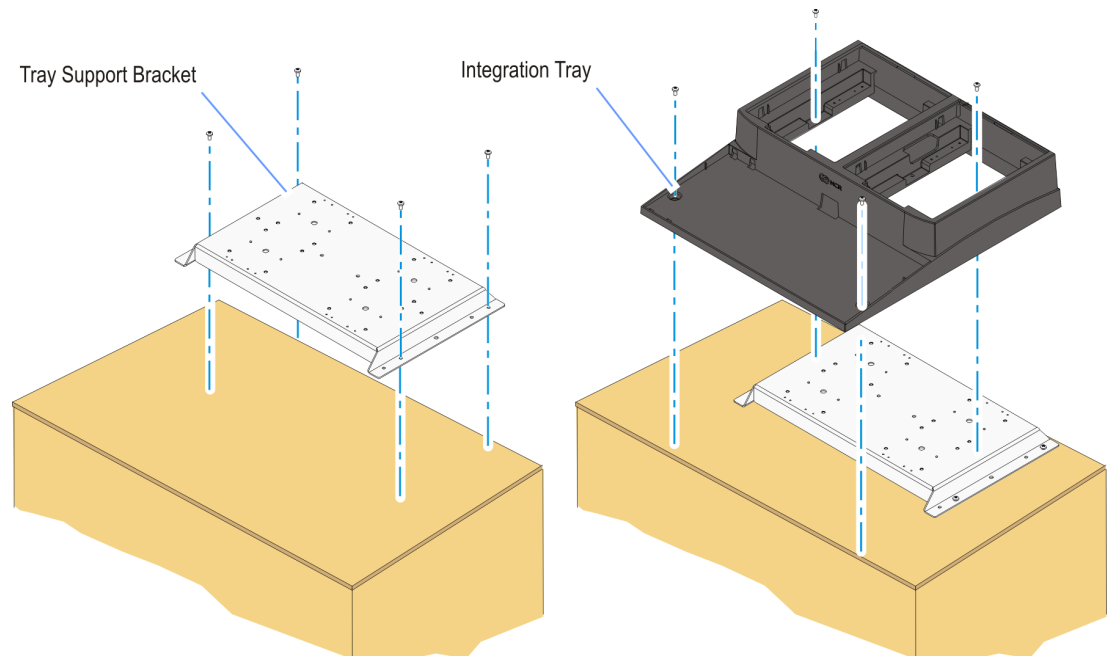


Note: The mounting holes for the 3rd-party mount must be located toward the rear of the unit.



32339

2. Position the Integration Tray on top of the Tray Support Bracket. Secure the tray to the Tray Support Bracket with screws (2). Secure the front of the tray to the counter top with screws (2) that are appropriate for the surface type



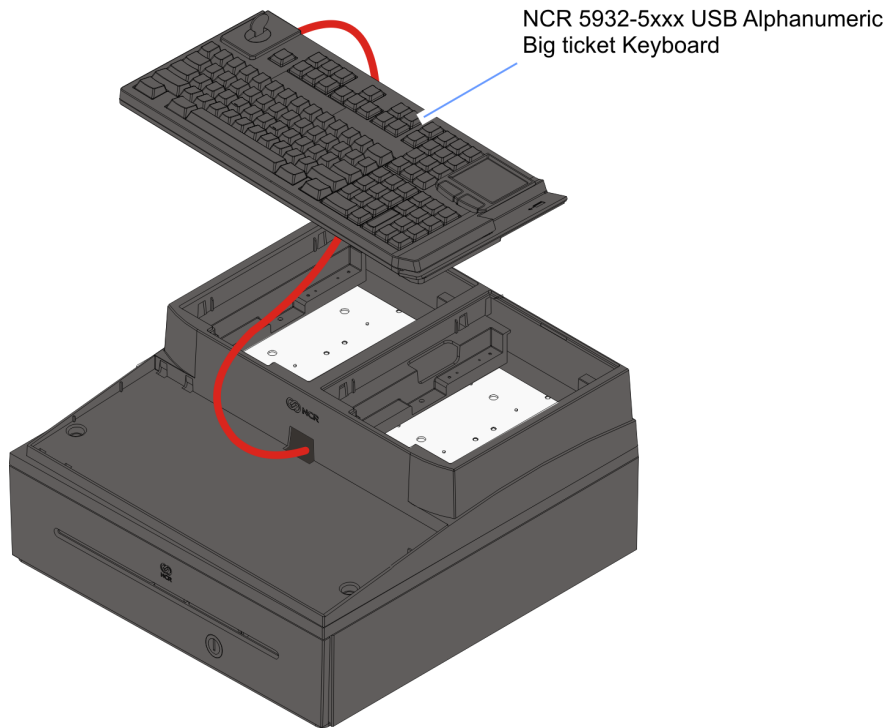
24613

Installing the Keyboard



Note: If a keyboard is not used, insert the Integration Tray Plug into the opening where the keyboard cable would normally be routed.

1. Install the keyboard in the Integration Tray.
2. Route the cable through the opening in the Integration Tray. It will be routed up through the XR7 Mount later when the XR7 is installed.



26316

Compact Keyboard: Install the Keyboard Tray Insert beside the keyboard.



Note: There are two Keyboard Tray Inserts. The narrow tray is used in all cases except when using the 5932 65xx PS/2 model without an MSR.

Installing the Transaction Printer

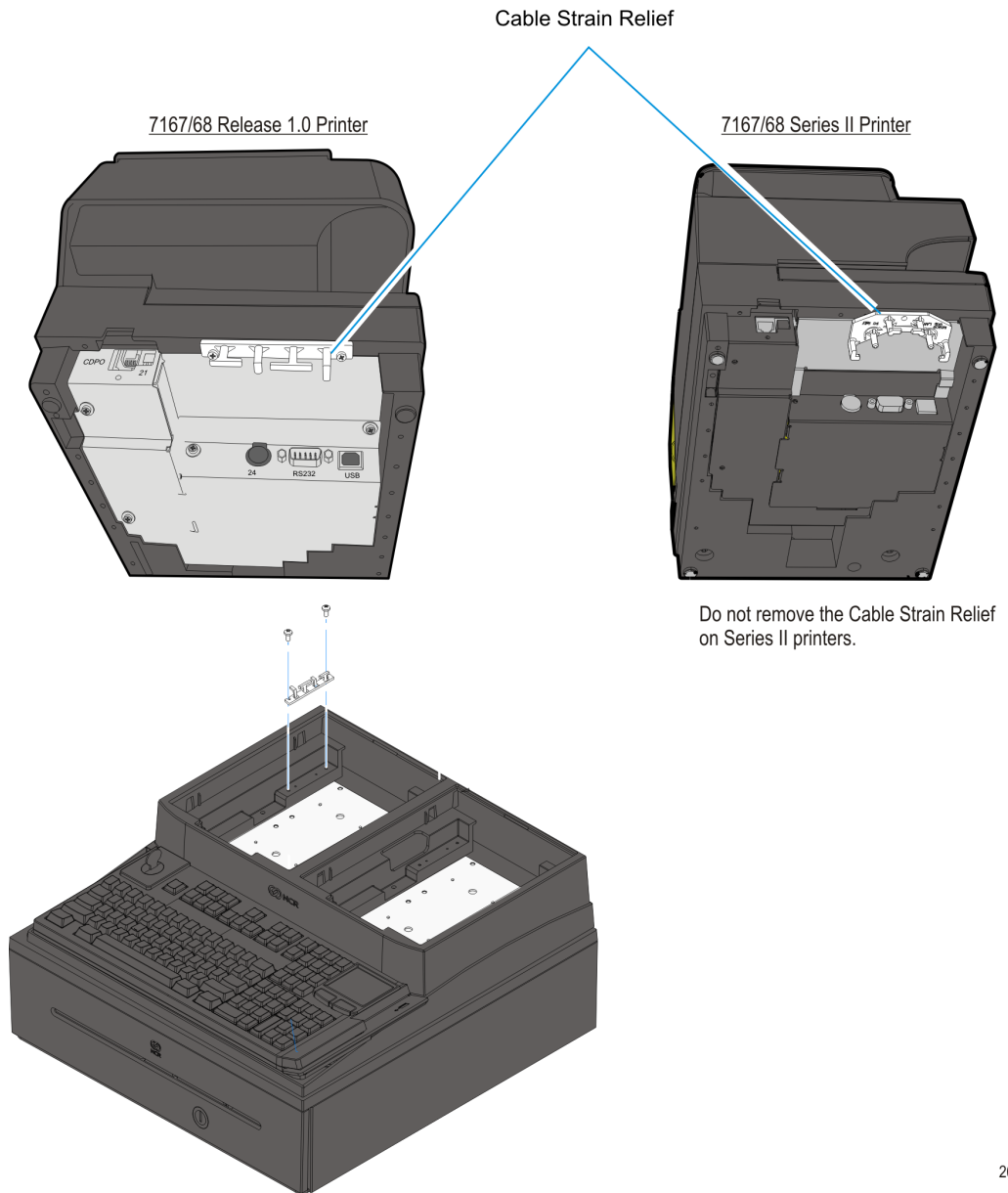
The NCR 7167, 7168, 7197, 7198, or 7199 printer can be located on either side of the Integration Tray.



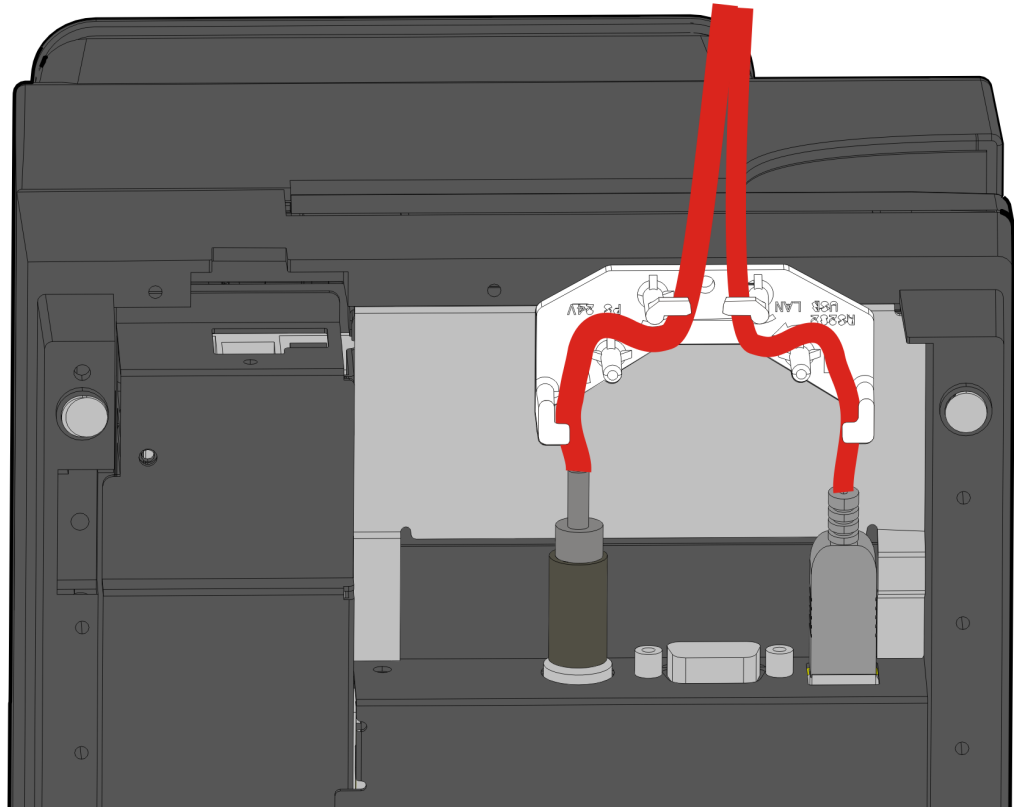
Note: The Printer Cable Strain Relief is different on the Release 1.0 and the Series II printers. The Cable Strain Relief on Release 1.0 printers prevents the printer from sitting properly in the Integration Tray and must be removed from the printer and installed in the Integration Tray.

NCR 7167/7168 Release 1.0 Printers Only:

1. Remove the Cable Strain Relief from the back of the printer (2 screws). The printer will not sit properly in the tray with it installed.
2. Install the Cable Strain Relief on the Integration Tray using the same screws.



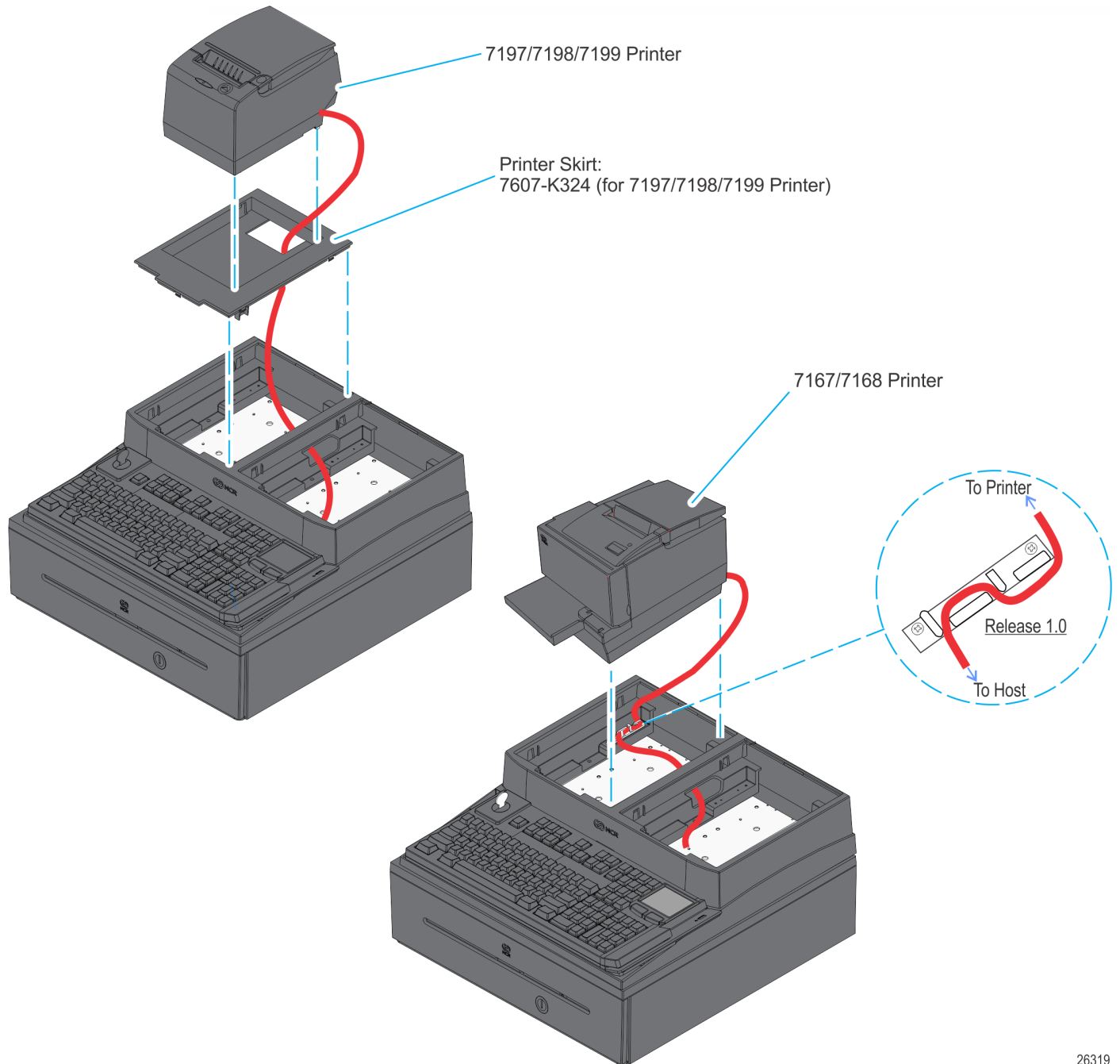
3. Connect the Printer Cable to the USB and Power connectors.
4. **Series II Printers Only:** Route the cable through the Cable Strain Relief on the printer as shown.



5. Route the printer cable through the openings in the Integration Tray as shown below and then position the printer in the tray. It will be routed up through the XR7 Mount later when the XR7 is installed.

NCR 7197/7198/7199 Only: Install the 7607-K324 Printer Skirt.

NCR 7167/7168 Release 1.0 Printers Only: Secure the cable in the Cable Strain Relief in the Integration Tray as shown.

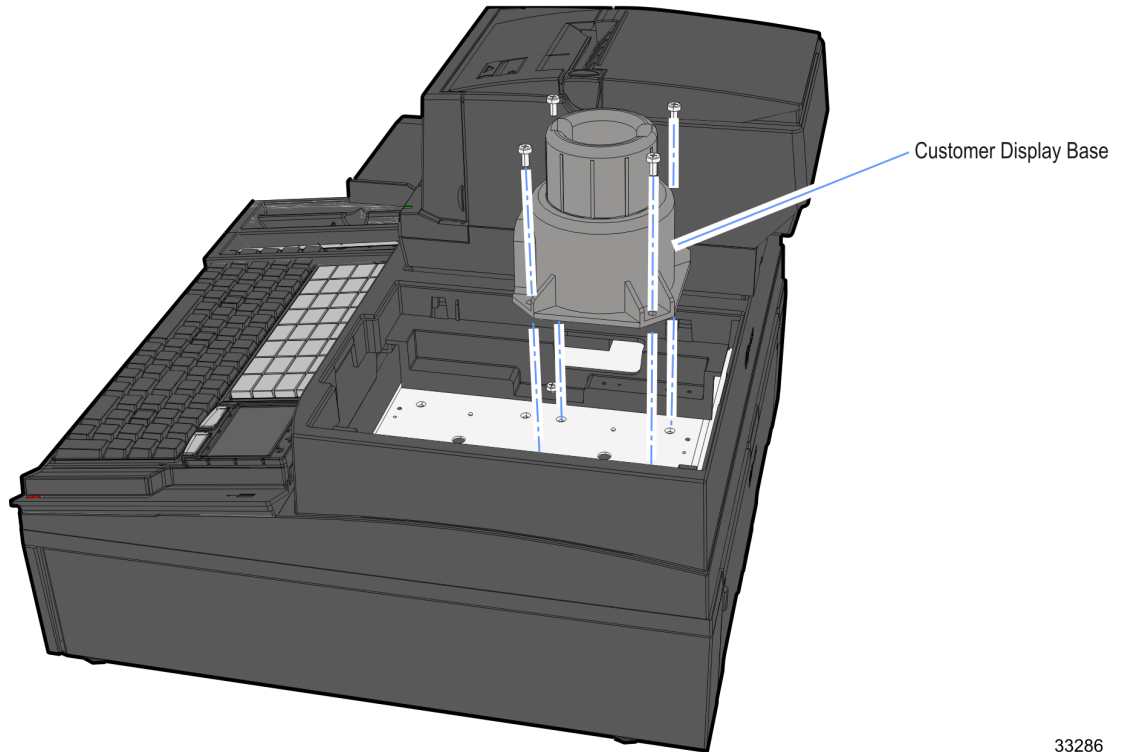


Installing the LCD Customer Display

1. Secure the Operator Display Base to the Tray Support Bracket with screws (4).

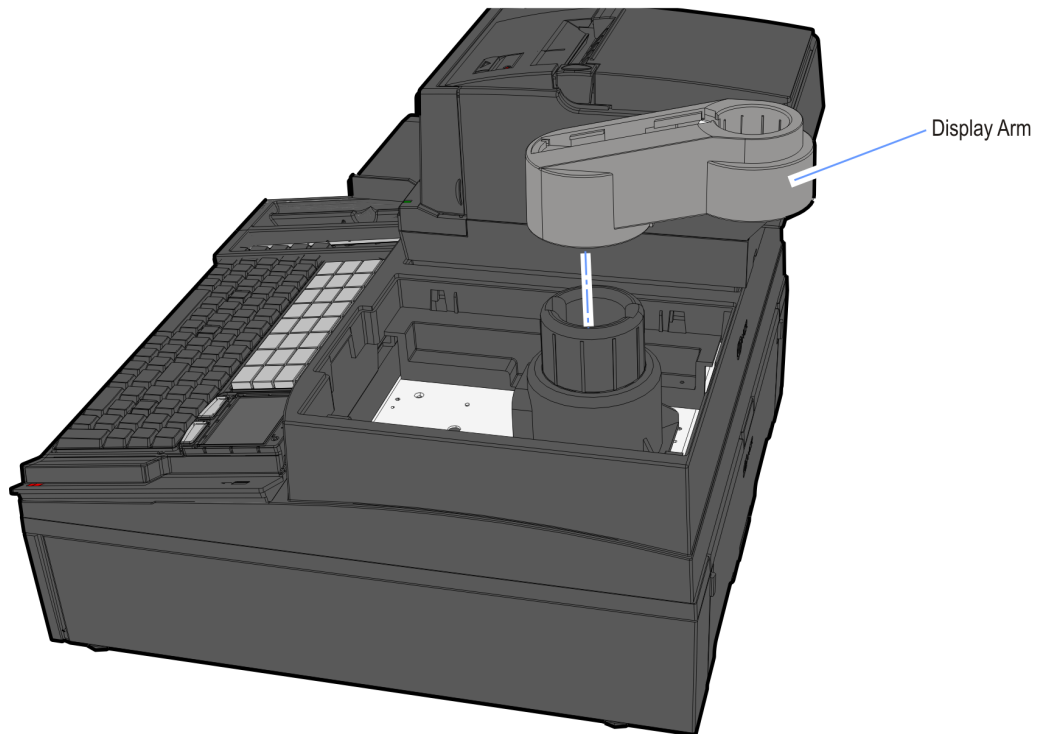


Note: A Filler Cap is available for when there is no Customer Display



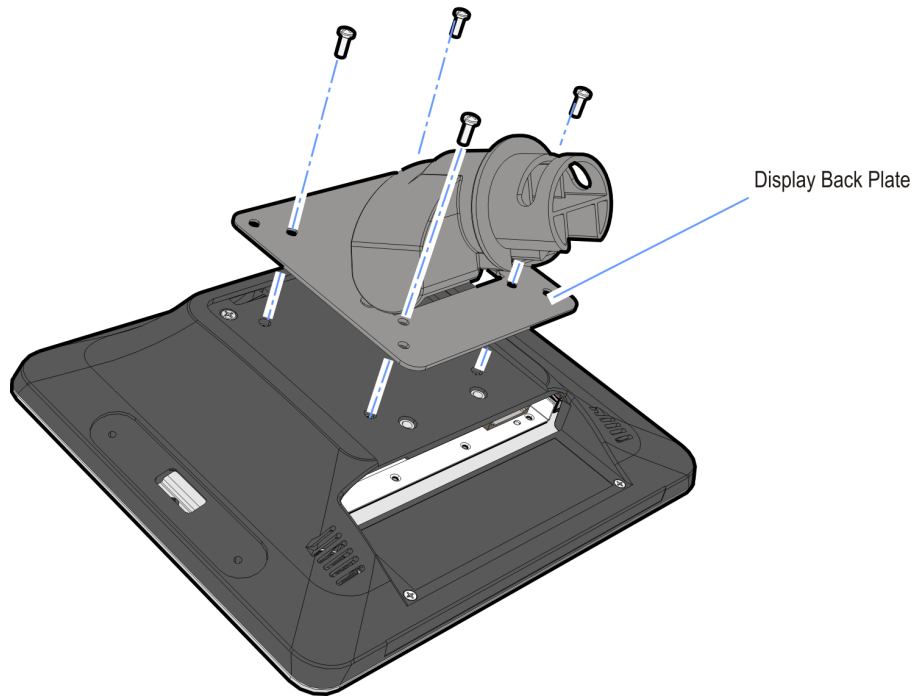
33286

2. Install the Display Arm onto the Display Base.



33287

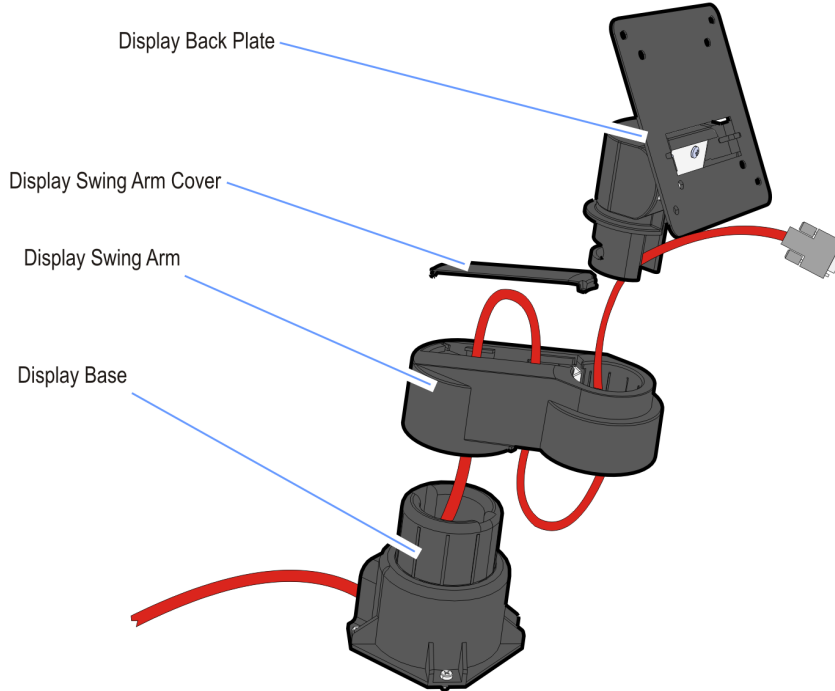
3. Install the Display Back Plate onto the back of the Customer Display (4 screws).



4. Insert the Display Back Plate into the Operator Display Arm.

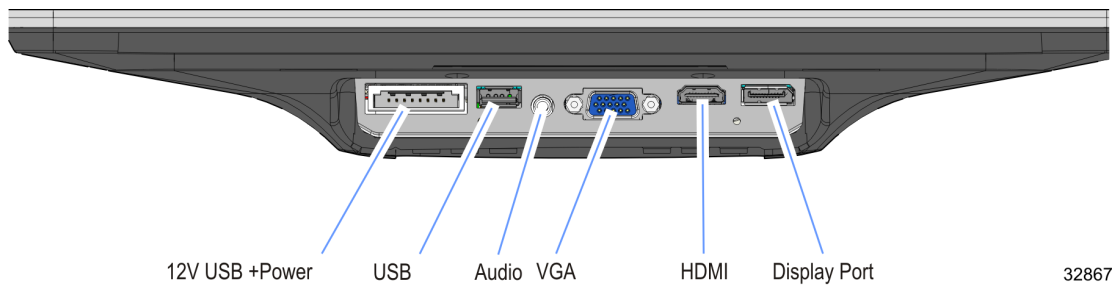
Cable Routing

The exploded view below shows how to route the cables up through the display mount.



33285

5. Remove the excess slack in the cables and then install the Display Swing Arm Cover onto the Display Swing Arm.
6. Connect the cables to the display. See the *NCR RealPOS X-Series Displays User Guide* (B005-0000-2337) for additional information about cable connections.



32867

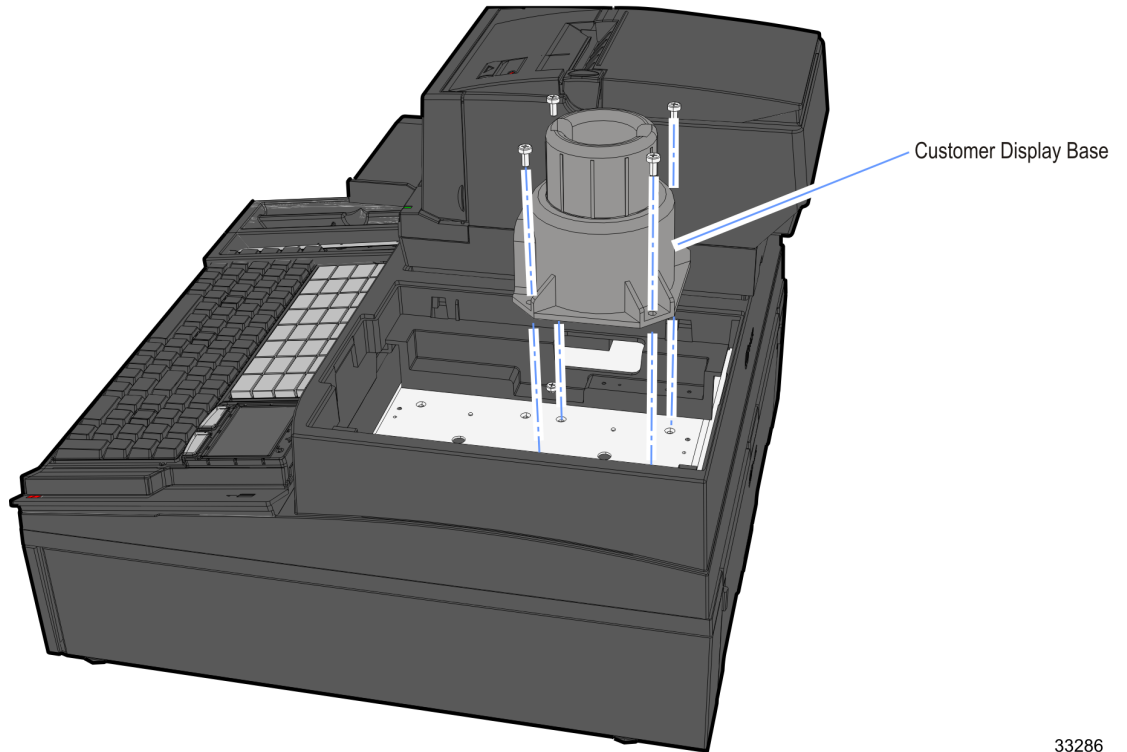
NCR RealPOS X-Series Displays I/O Panel

Installing the 2x20 Customer Display

1. Install the Customer Display Base with screws (4). Install the post behind or in front of the Operator Display Arm.

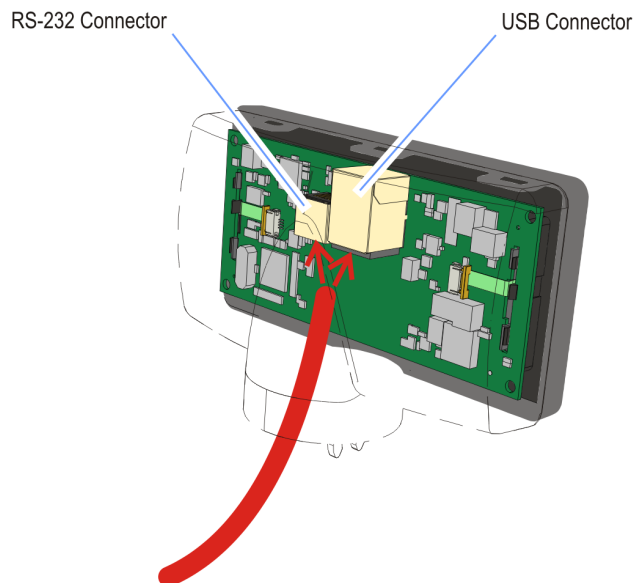


Note: A Filler Cap is available for when there is no Customer Display



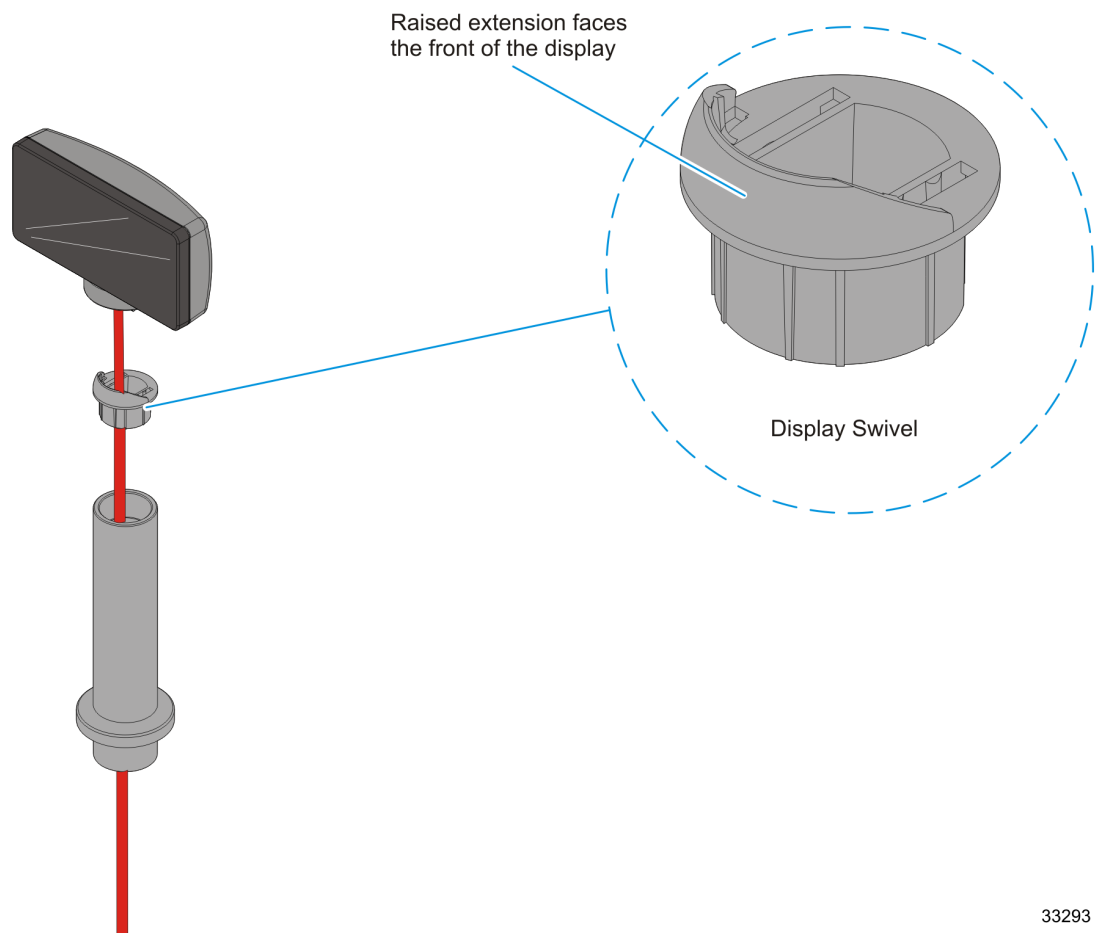
33286

2. Connect the Interface Cable to the Display Module. This can be done without removing the Back Cabinet.

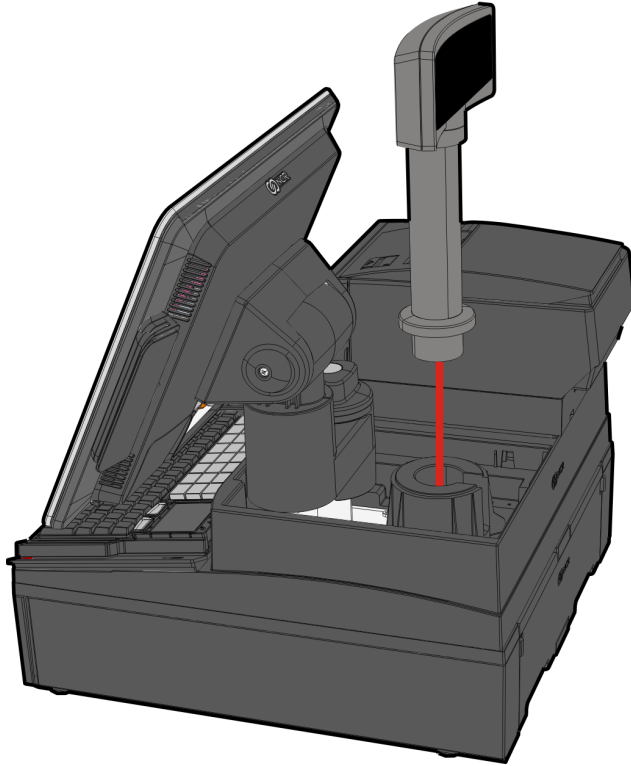


33292

3. Route the display cables down through the Customer Display Base and out the back of the cabinet.
4. Route the cable through the Display Swivel and Post.



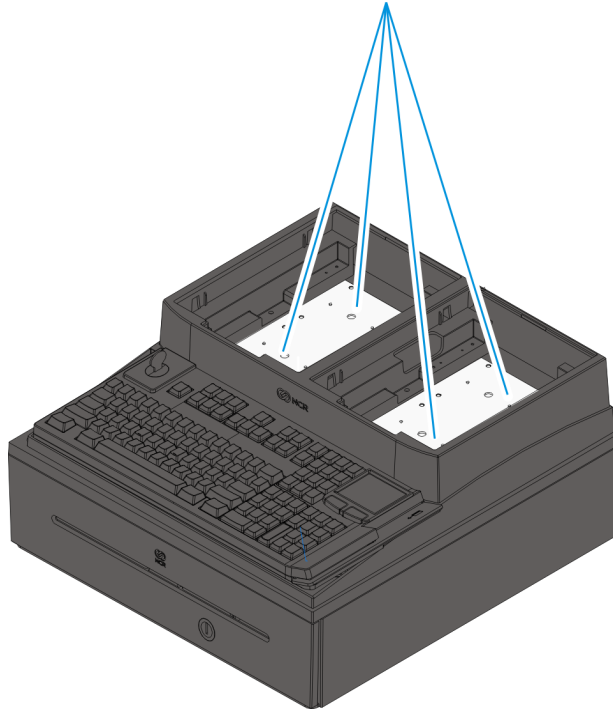
5. Insert the Display Post into the Customer Display Base.



Installing the RealPOS XR7 POS Terminal

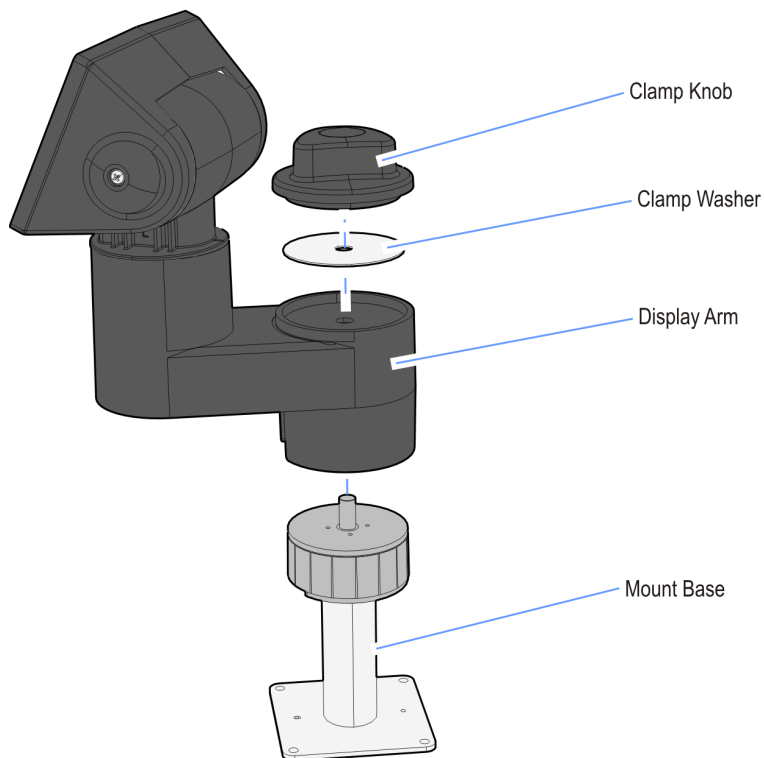
The Operator Display can be installed on the front or back on either side of the tray.

POS can be installed in the front or back on either side of the tray.



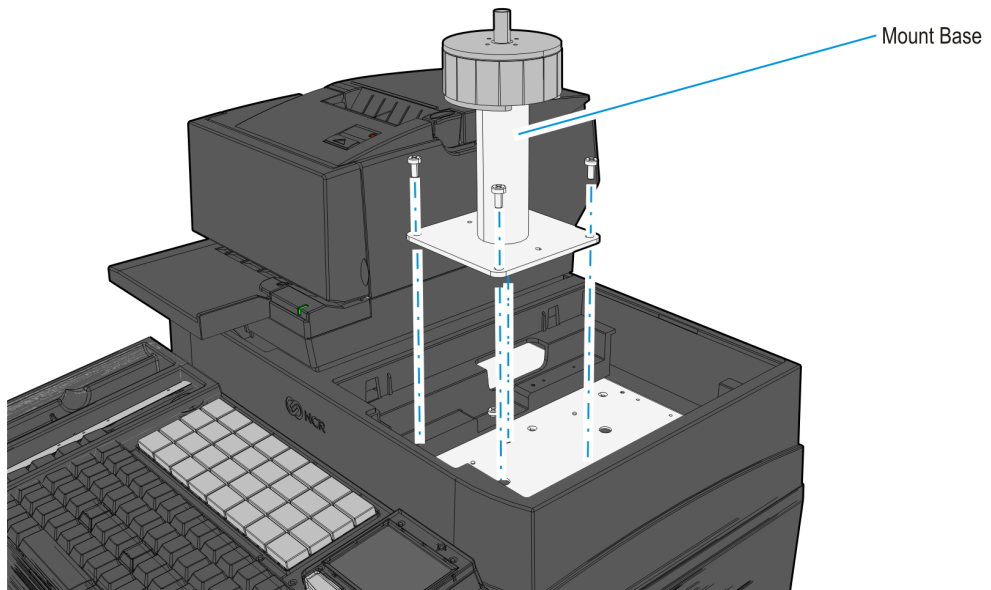
31270

1. Separate the 7702-K303 Mount Base of the Display Arm (unscrew Clamp Knob).



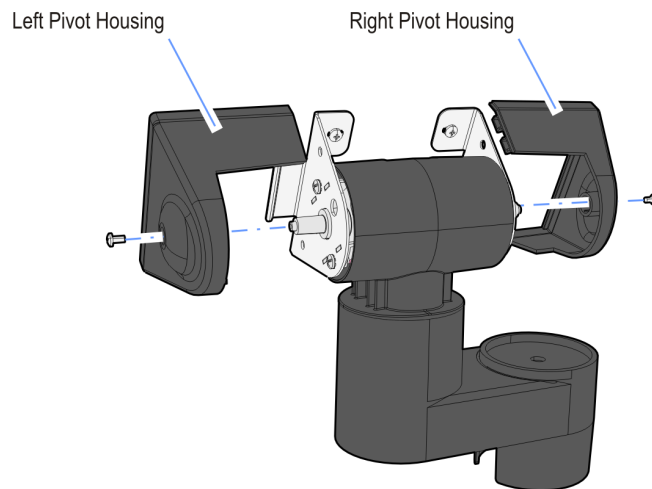
33346

2. Install the Mount Base in the Integration Tray (4 screws).



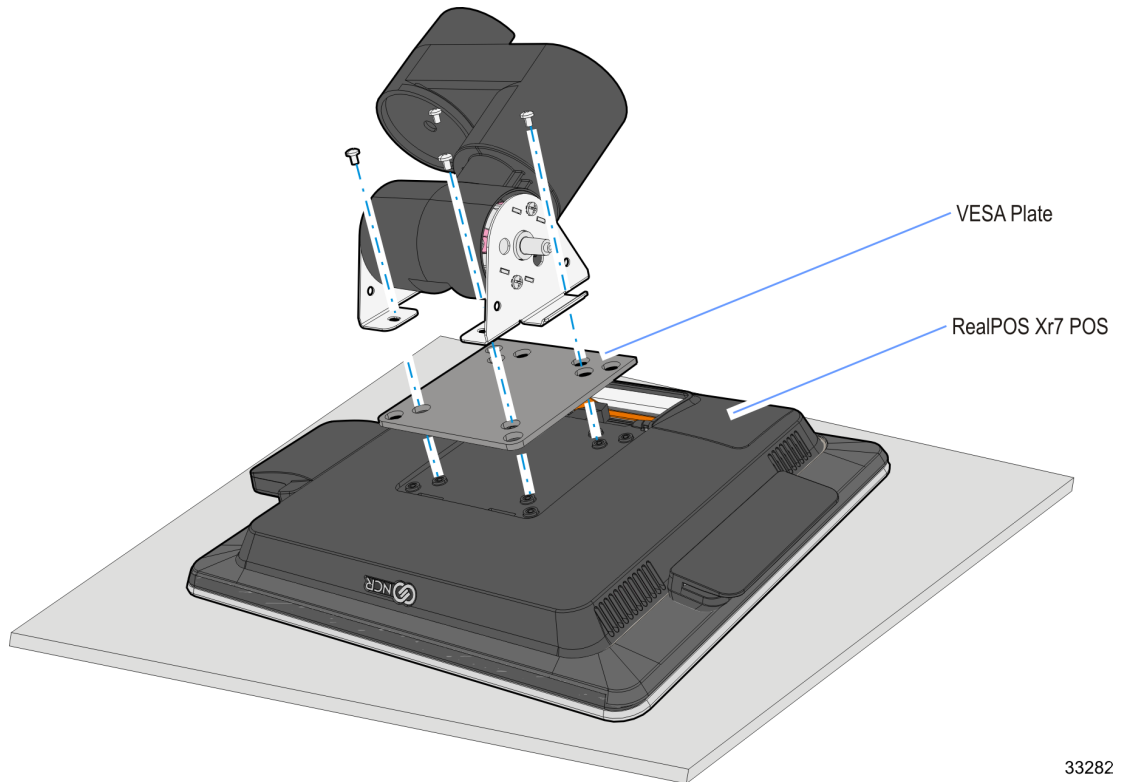
33280

3. Remove the Left Pivot Housing and Right Pivot Housing from the Display Arm (1 screw on each).

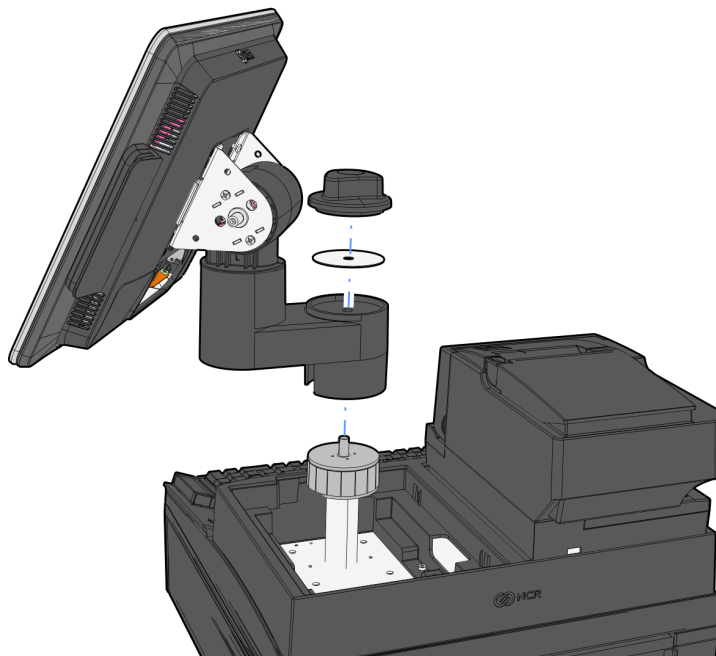


33281

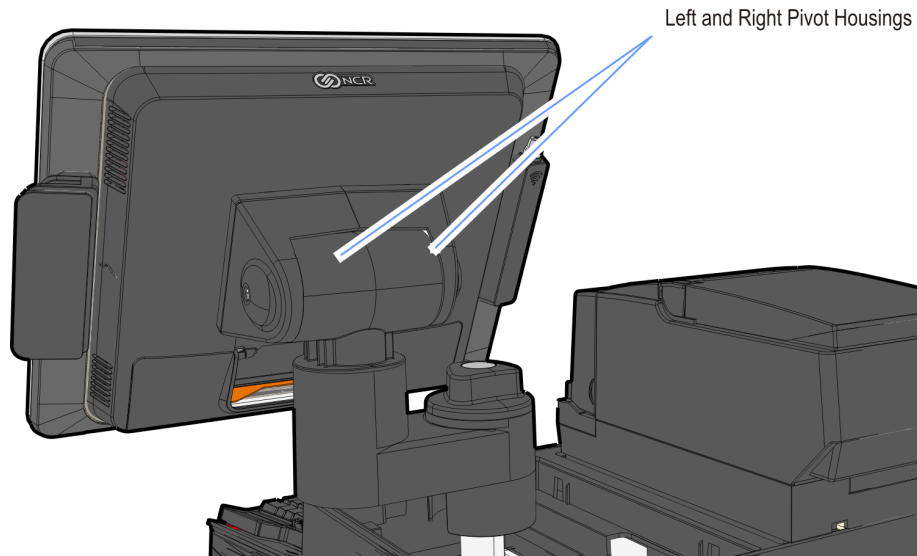
4. Lay the RealPOS XR7 face down on a protective cloth/foam.
5. Install the Display Arm onto the back of the RealPOS XR7 (4 screws). Install the VESA Plate between the mount and the terminal.



6. Install the terminal and Display Arm assembly onto the Mount Base and secure it with the Mount Washer and Mount Knob.



7. Replace the Left and Right Pivot Housings.

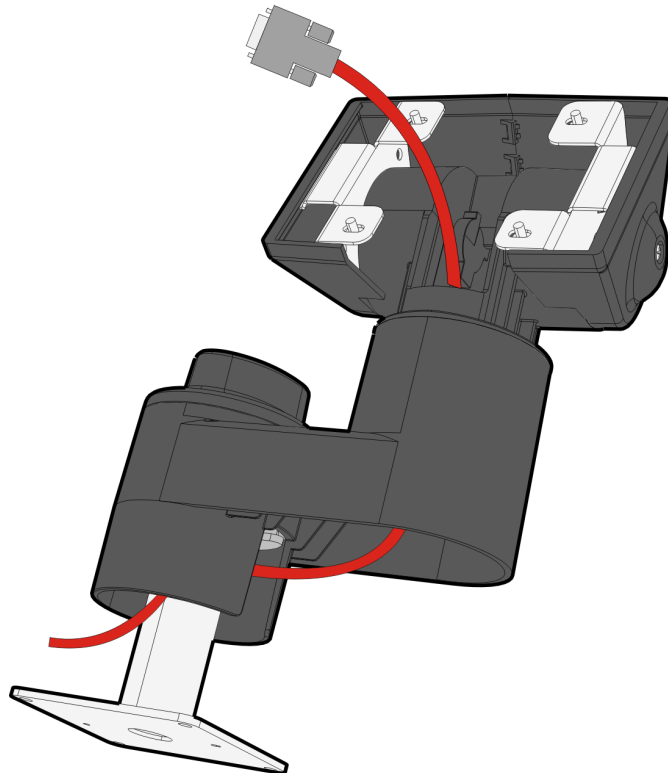


33283

8. Connect the peripheral, LAN, and power cables to the terminal.

Cable Routing

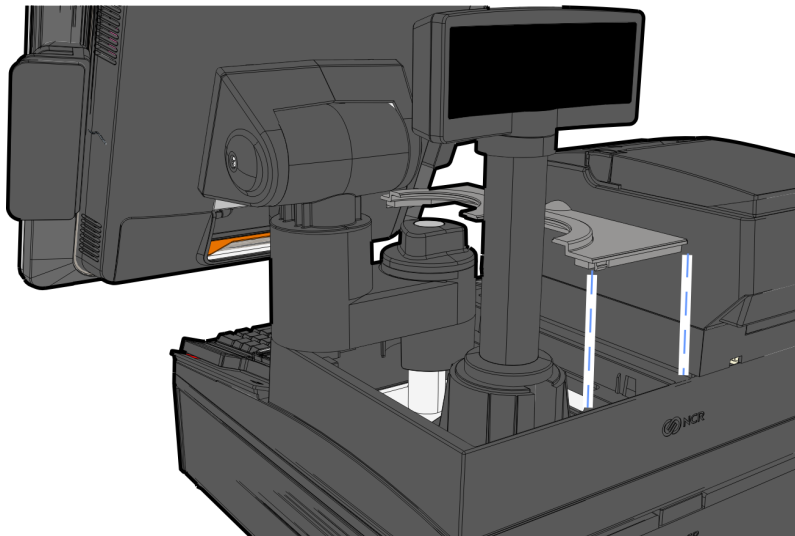
The exploded view below shows how to route the cables through the display mount.



33290

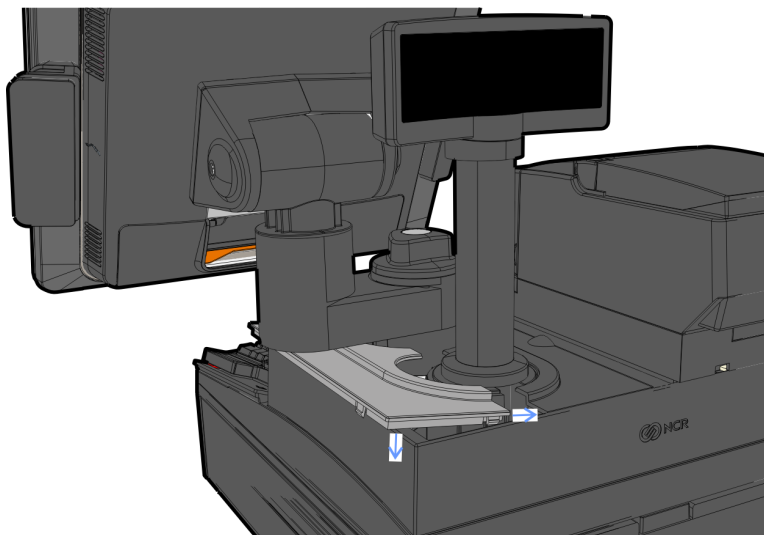
Installing the Swing Arm Skirts

1. Install the Left Swing Arm Skirt.



33294

2. Align the Right Swing Arm Skirt with the Left Swing Arm Skirt and snap it into position.



33295

