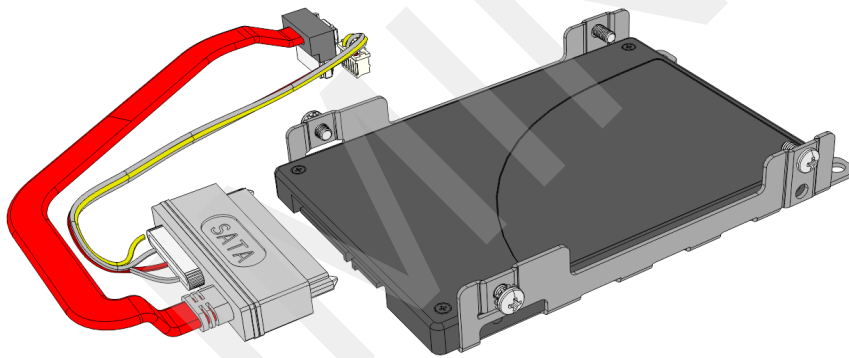


KIT INSTRUCTIONS

240GB Solid State Drive

Release 1.0



7702-K247
Issue A



The product described in this document is a licensed product of NCR Corporation.

NCR is a registered trademark of NCR Corporation. NCR RealPOS is a trademark of NCR Corporation in the United States and/or other countries. Other product names mentioned in this publication may be trademarks or registered trademarks of their respective companies and are hereby acknowledged.

The terms HDMI and HDMI High-Definition Multimedia Interface, and the HDMI Logo are trademarks or registered trademarks of HDMI Licensing LLC in the United States and other countries.

Where creation of derivative works, modifications or copies of this NCR copyrighted documentation is permitted under the terms and conditions of an agreement you have with NCR, NCR's copyright notice must be included.

It is the policy of NCR Corporation (NCR) to improve products as new technology, components, software, and firmware become available. NCR, therefore, reserves the right to change specifications without prior notice.

All features, functions, and operations described herein may not be marketed by NCR in all parts of the world. In some instances, photographs are of equipment prototypes. Therefore, before using this document, consult with your NCR representative or NCR office for information that is applicable and current.

To maintain the quality of our publications, we need your comments on the accuracy, clarity, organization, and value of this book. Please use the link below to send your comments.

Email: FD230036@ncr.com

Copyright © 2016
By NCR Corporation
Duluth, GA U.S.A.
All Rights Reserved

Revision Record

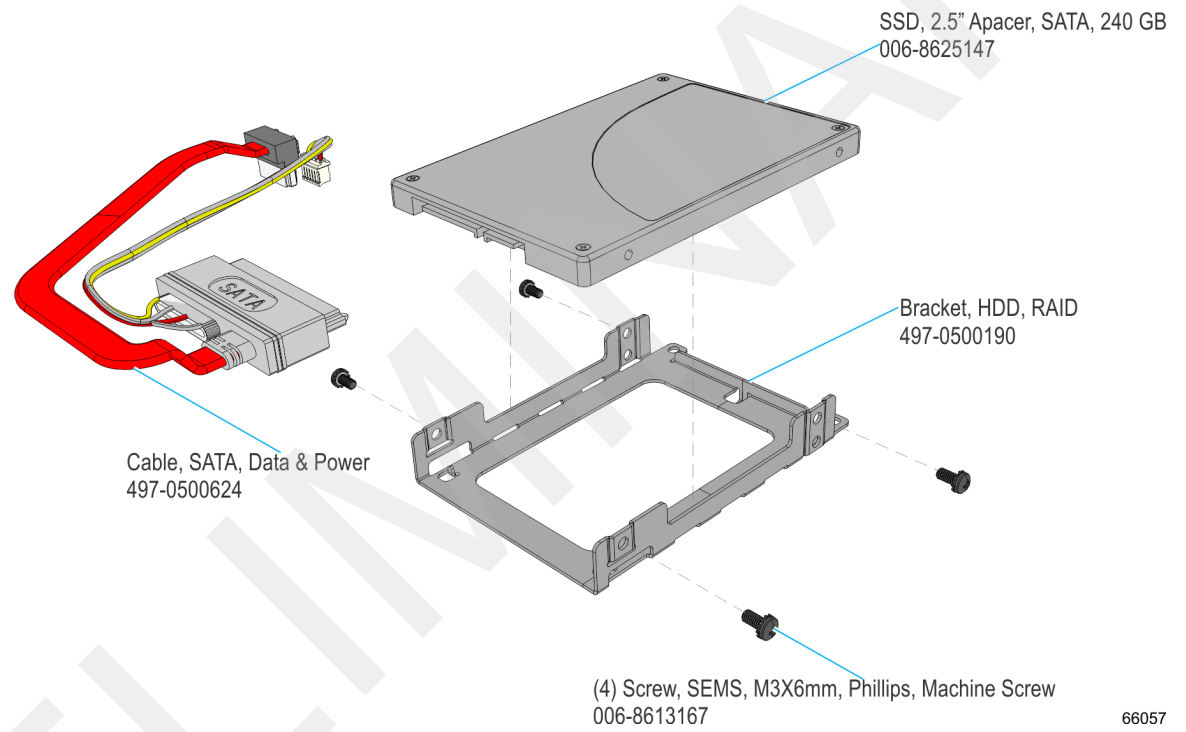
Issue	Date	Remarks
A	Nov 2016	First Issue

PRELIMINARY

240GB Solid State Drive

Introduction

This kit provides the components to add a second Solid State Drive to the RealPOS XR7 Plus POS.



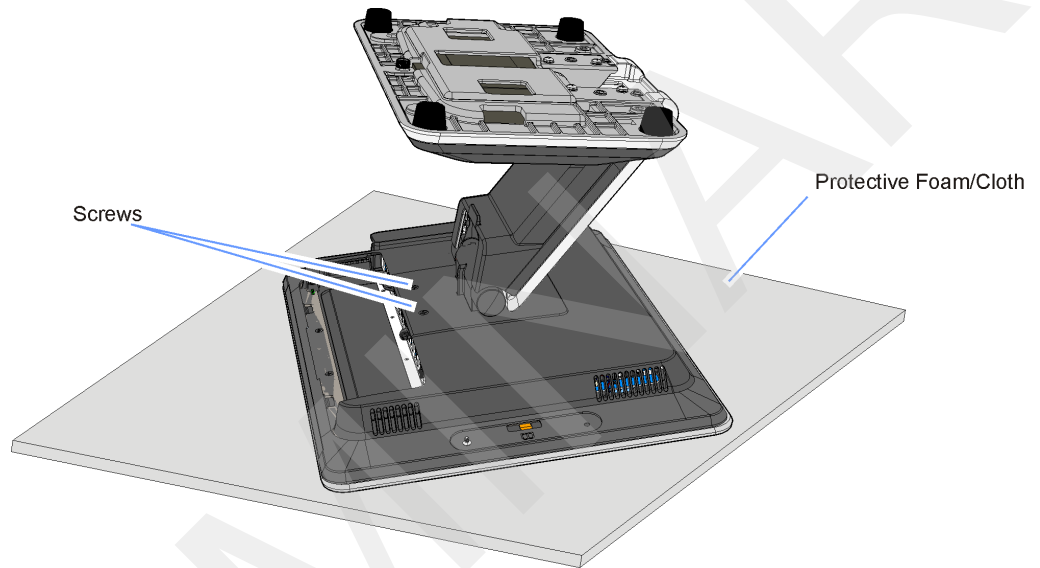
Installation Procedure

1. Lay the terminal face down on a flat surface.

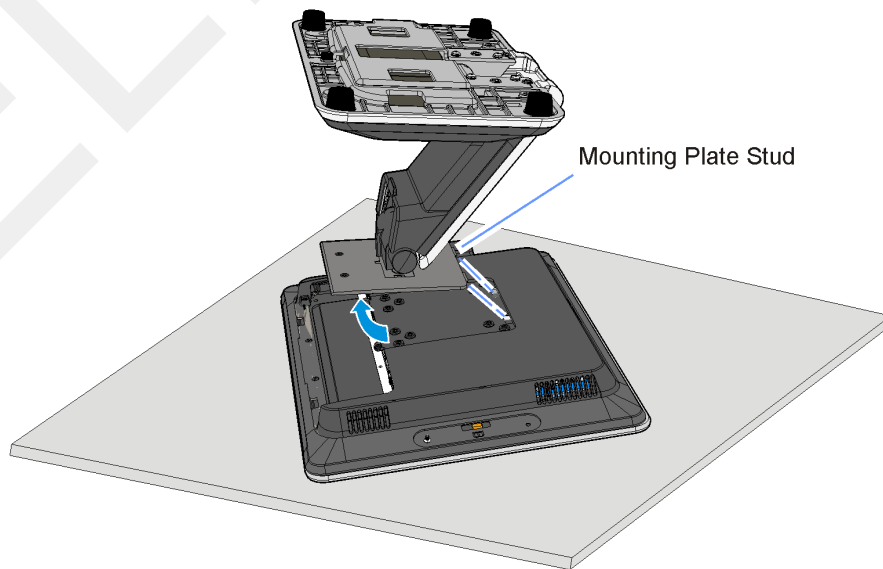


Caution: Always use a soft material (cloth, foam) to protect the display screen when placing the terminal face down.

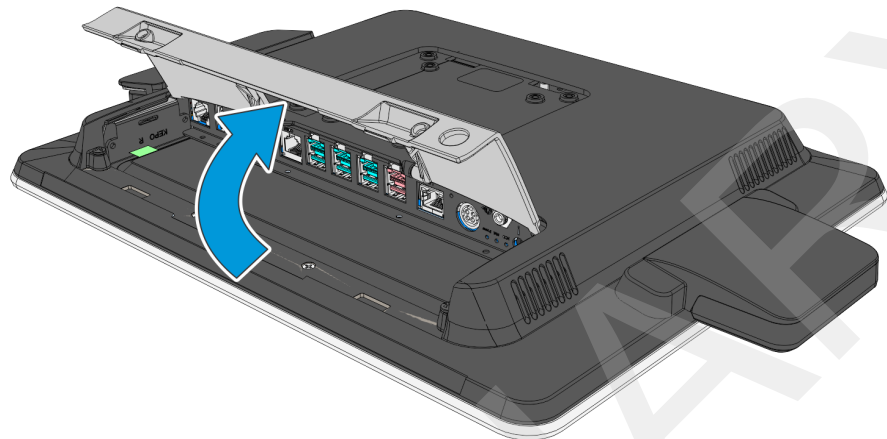
2. Remove the Base Stand.
 - a. Remove the screws (2) that secure the Base Stand to the display.



- b. Rotate the Base Stand upwards as shown and remove the Mounting Plate Studs (2) from the openings in the Rear Cover.

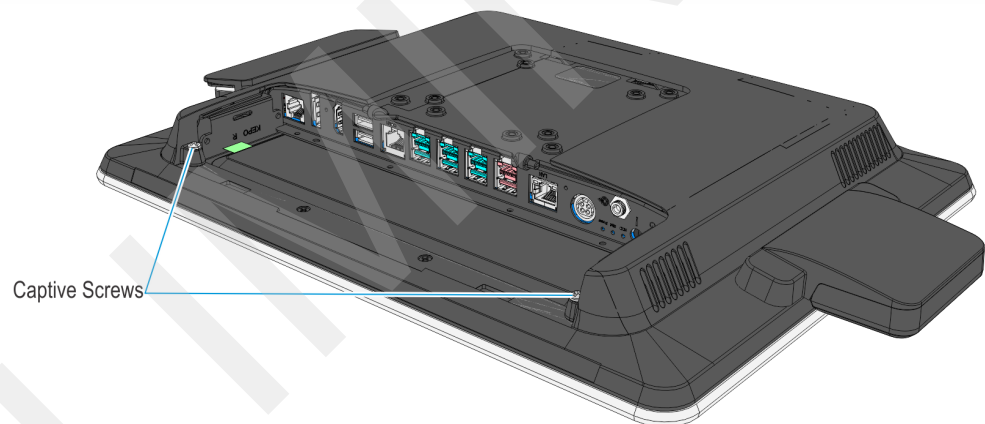


3. Remove the Rear Cover assembly.
 - a. Remove the Cable Cover.



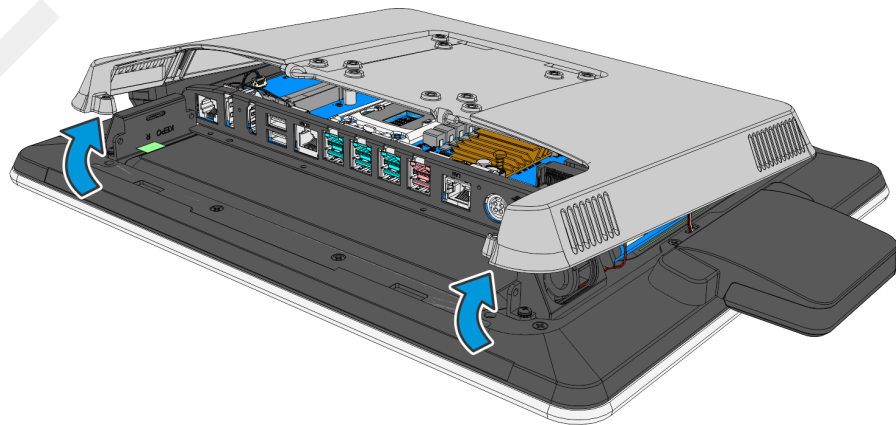
66052

- b. Loosen the captive screws (2) that secure the Rear Cover to the chassis.



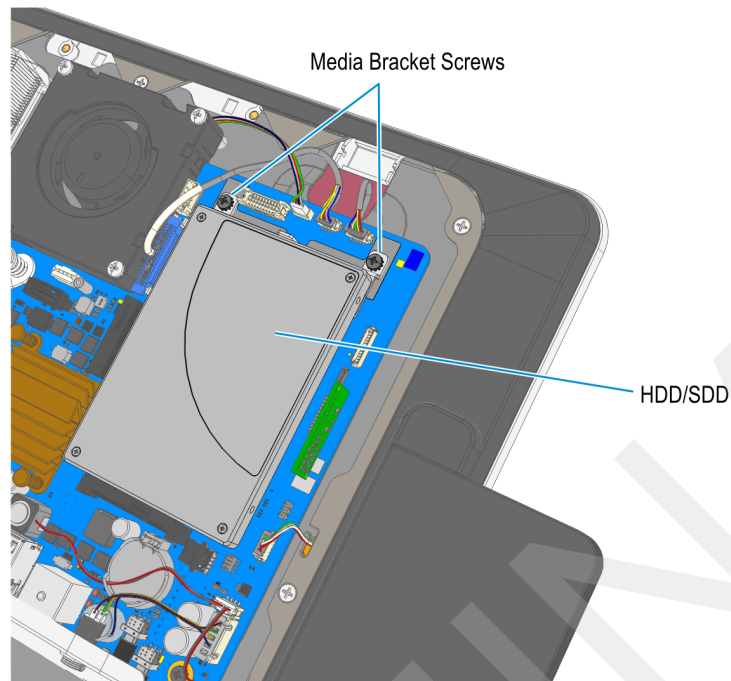
66053

- c. Pivot the assembly as shown to remove it.



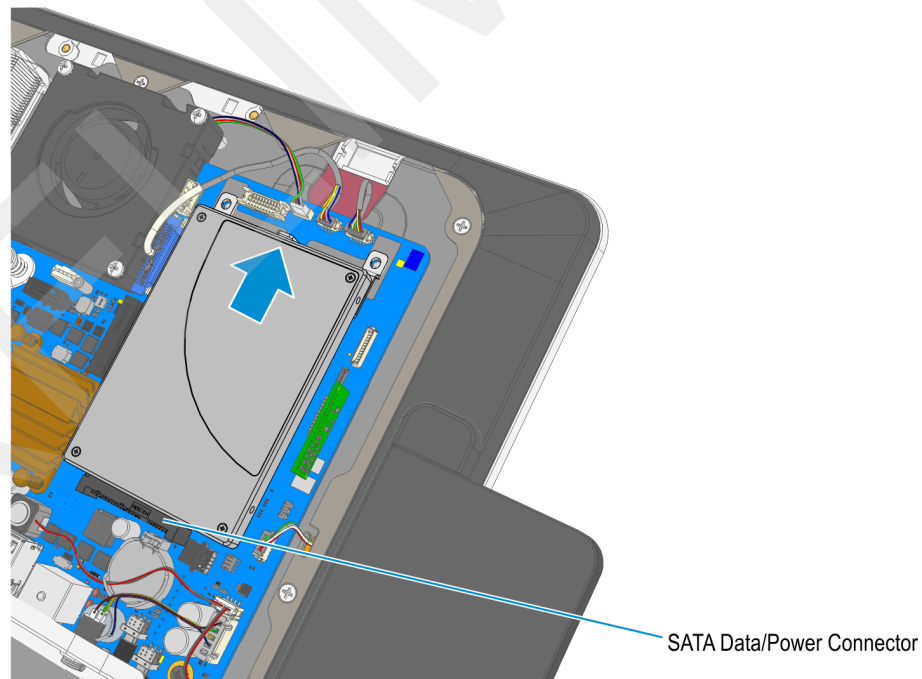
66054

4. Remove the screws that secure the Media Bracket to the Motherboard.



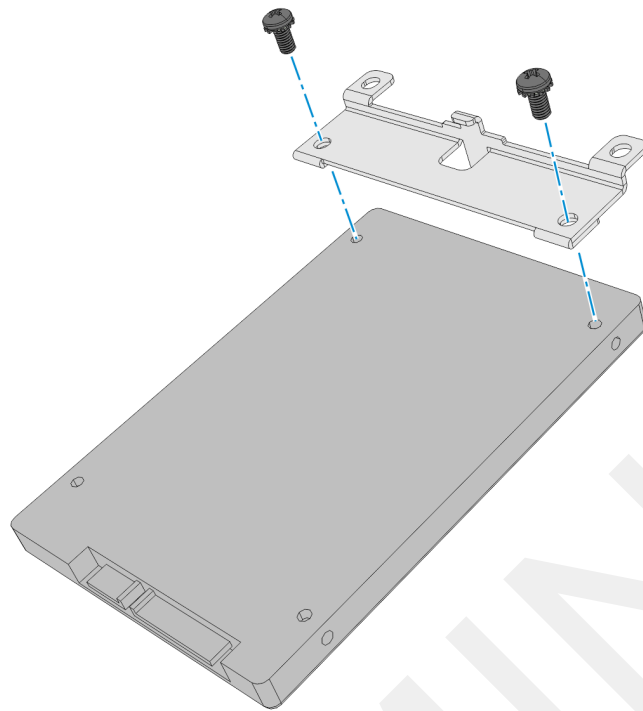
CCP-69027

5. Slide the Media Assembly slightly to the top to disconnect the Media from the connector.



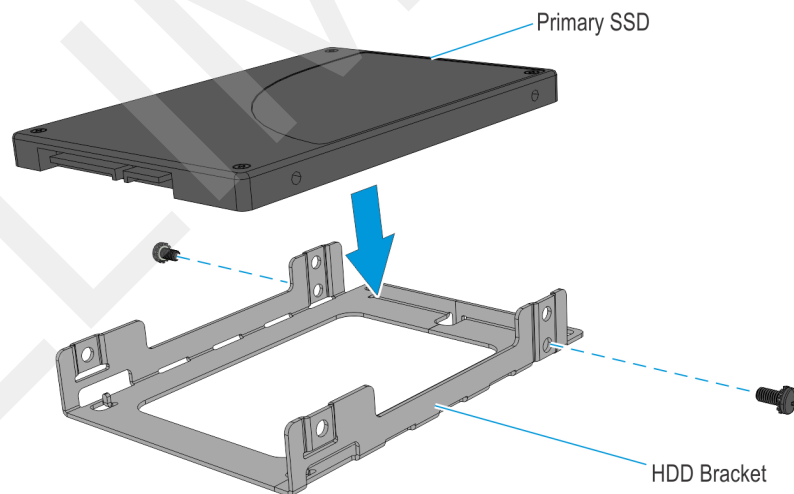
CCP-69028

6. Remove the screws (2) securing the storage media from the bracket.



CCP-69029

7. Install the Primary SSD onto the HDD Bracket with screws (2).

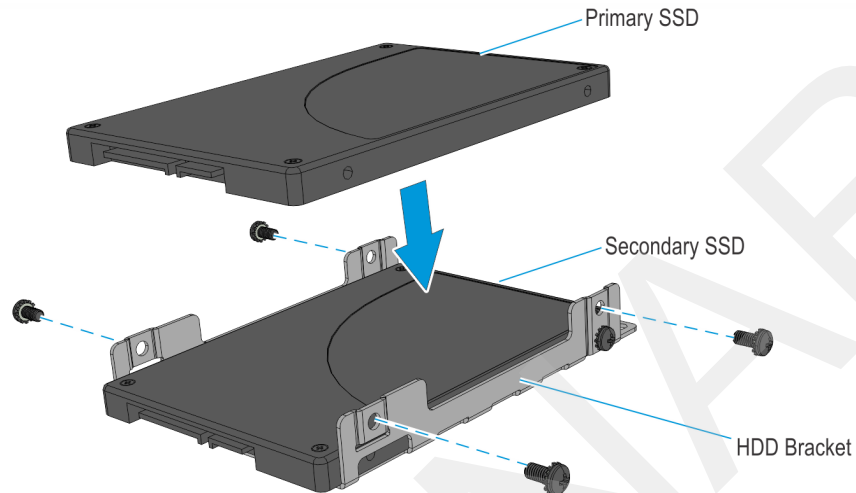


66058

8. Install the Secondary SSD onto the HDD Bracket with screws (4).

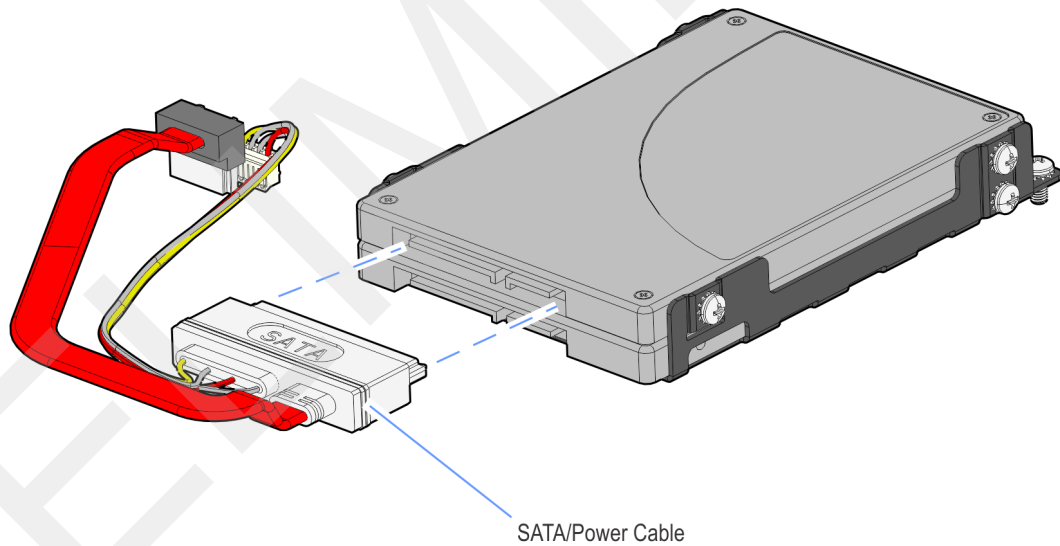


Note: It may be necessary to temporarily loosen the screws in the lower SSD to allow the bracket to relax and make room for the top SSD.



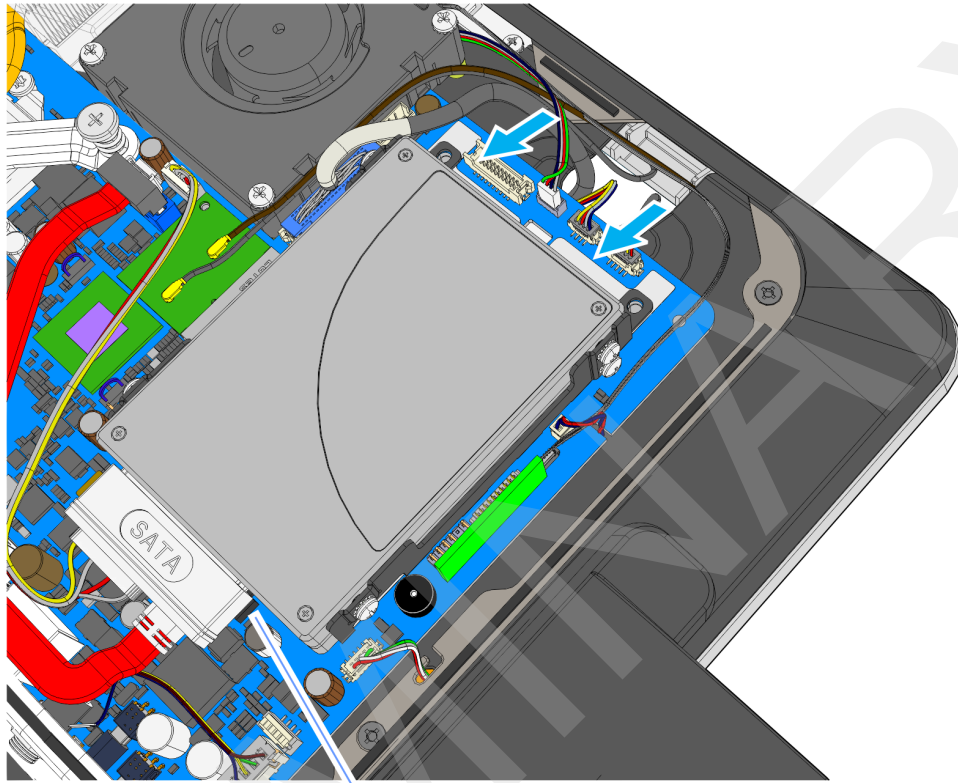
66059

9. Connect the Secondary SATA/Power Cable to the Secondary SSD.



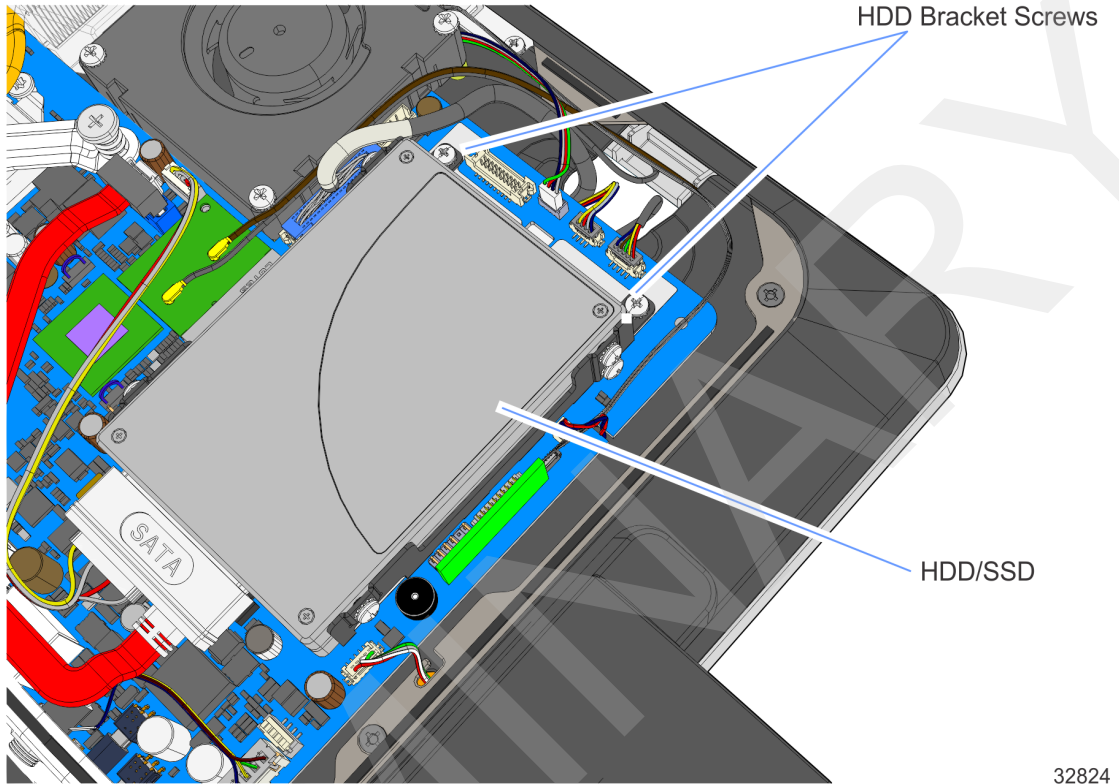
33389

10. Install the SSD Assembly in the terminal.
 - a. Connect the Primary SSD to the Motherboard connector.

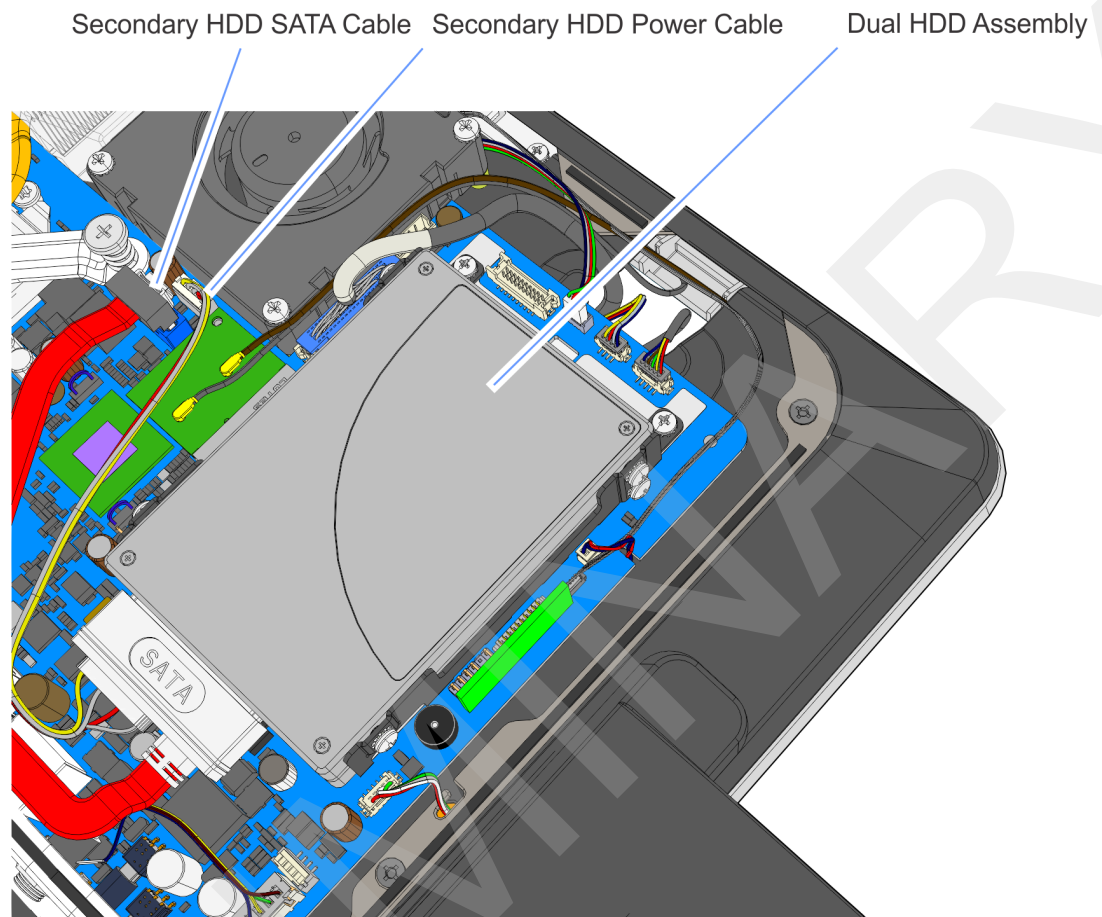


Primary HDD SATA/Power Connector

b. Secure the HDD Bracket to the Motherboard with screws (2).



11. Connect the Secondary HDD SATA and Power cables to the motherboard.



32823

12. Reinstall the Rear Cover.
13. Reinstall the Base Stand.