

Kit Instructions

Operator Camera

7702-K156
Issue B



The product described in this document is a licensed product of NCR Corporation.

NCR is a registered trademark of NCR Corporation. NCR RealPOS is a trademark of NCR Corporation in the United States and/or other countries. Other product names mentioned in this publication may be trademarks or registered trademarks of their respective companies and are hereby acknowledged.

The terms HDMI and HDMI High-Definition Multimedia Interface, and the HDMI Logo are trademarks or registered trademarks of HDMI Licensing LLC in the United States and other countries.

Where creation of derivative works, modifications or copies of this NCR copyrighted documentation is permitted under the terms and conditions of an agreement you have with NCR, NCR's copyright notice must be included.

It is the policy of NCR Corporation (NCR) to improve products as new technology, components, software, and firmware become available. NCR, therefore, reserves the right to change specifications without prior notice.

All features, functions, and operations described herein may not be marketed by NCR in all parts of the world. In some instances, photographs are of equipment prototypes. Therefore, before using this document, consult with your NCR representative or NCR office for information that is applicable and current.

To maintain the quality of our publications, we need your comments on the accuracy, clarity, organization, and value of this book. Please use the link below to send your comments.

Email: FD230036@ncr.com

Copyright © 2014 – 2019

By NCR Corporation

Global Headquarters

864 Spring St NW

Atlanta, GA 30308

U.S.A.

All Rights Reserved

Revision Record

Issue	Date	Remarks
A	Aug 2014	First Issue
B	July 2019	Updated part numbers for camera module and camera cable Added installation procedure for 15" 5968 X-Series Displays

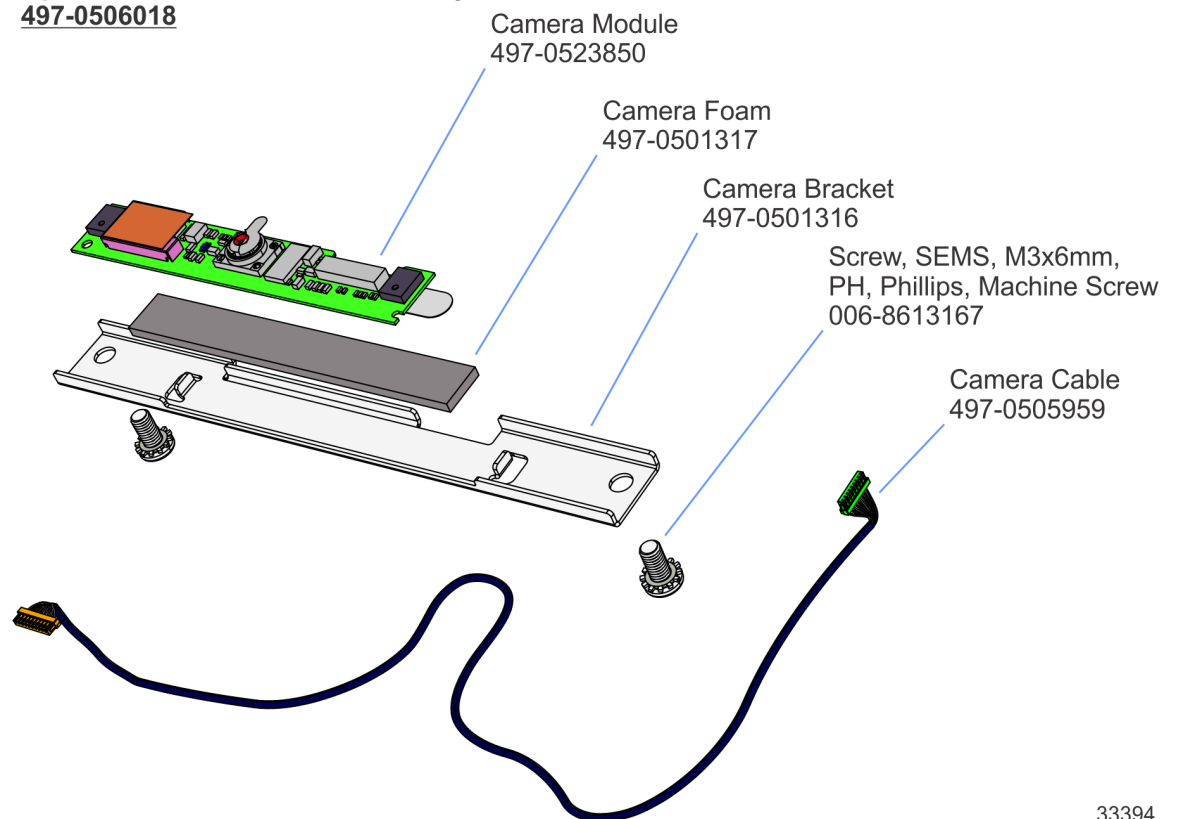
Operator Camera

This kit contains the components to add an Operator Camera to any of the following:

- XR Series POS
 - NCR XR5 POS (7701)
 - NCR XR7 POS (7702)
 - NCR XR7 Plus POS (7703)
- 15" NCR 5968 X-Series Display

Components

Operator Camera Service Assembly 497-0506018




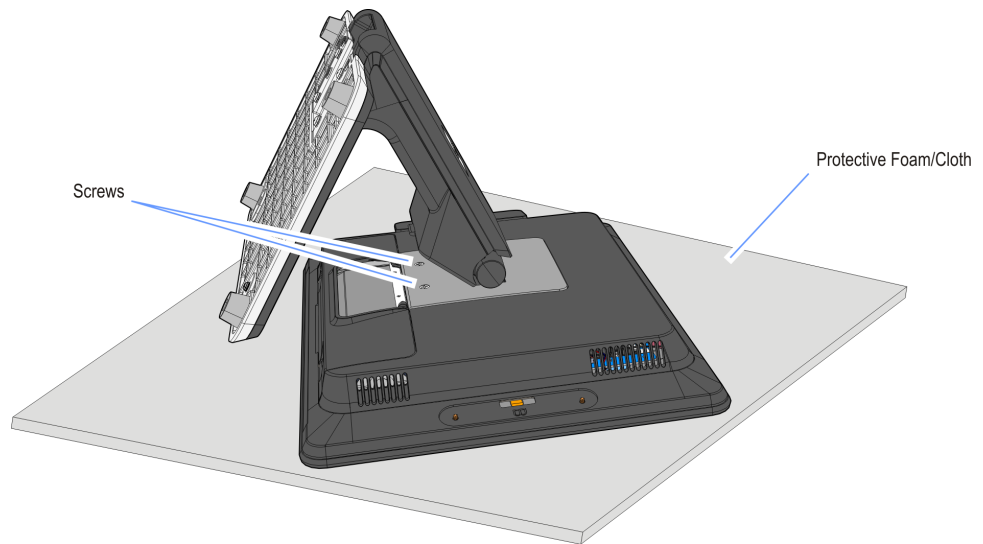
Installation Procedure



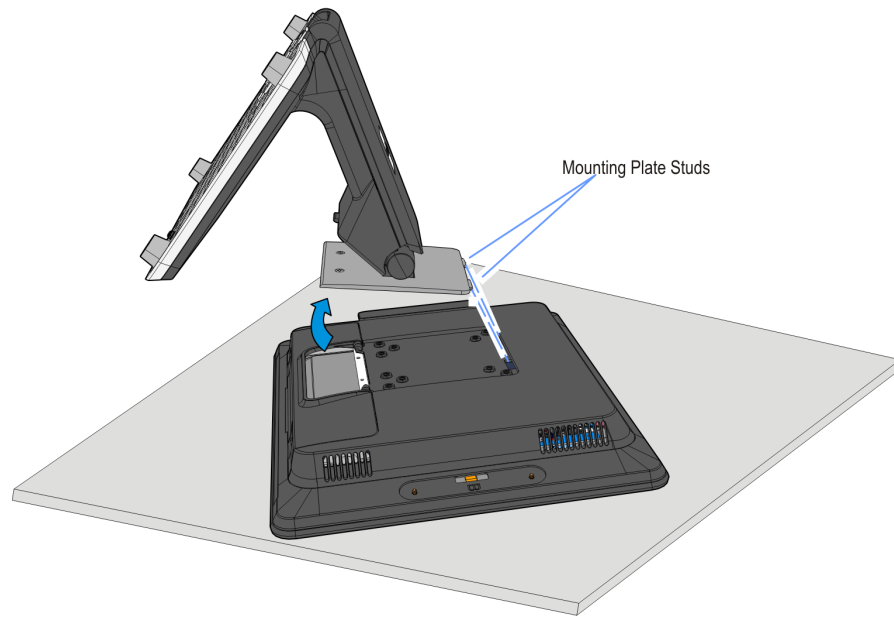
Note: If the 7701, 7702, or 5968 is currently installed in an NCR SelfServ™ Checkout unit, remove the Display from the SelfServ Checkout unit. For information about how to remove the Display, refer to the Hardware User Documentation of the corresponding SelfServ Checkout unit on which the Display is installed.

XR Series POS (7701/7702/7703)

1. Remove the Base Stand.
 - a. Lay the terminal face down on a flat surface.
 -  **Caution:** Always use a soft material (cloth, foam) to protect the display screen when placing the terminal face down.
 - b. Remove the screws (2) that secure the Base Stand to the display.

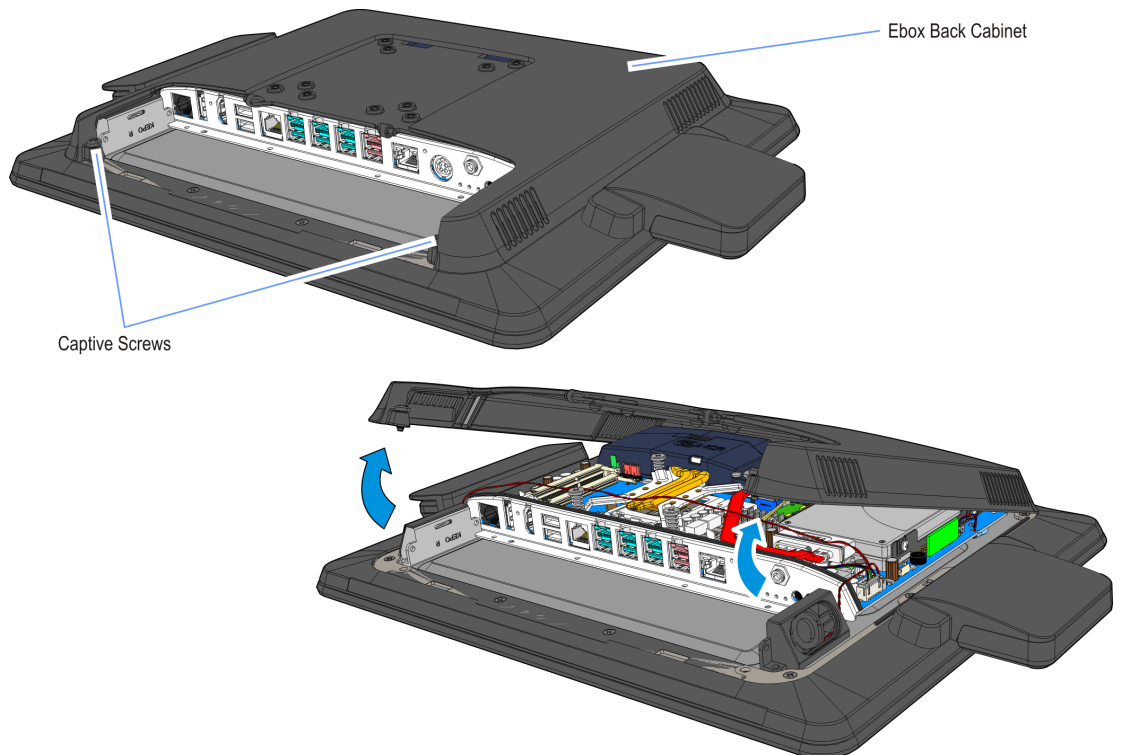


- c. Rotate the Base Stand and remove the Mounting Plate Studs (2) from the openings in the Rear Cover.



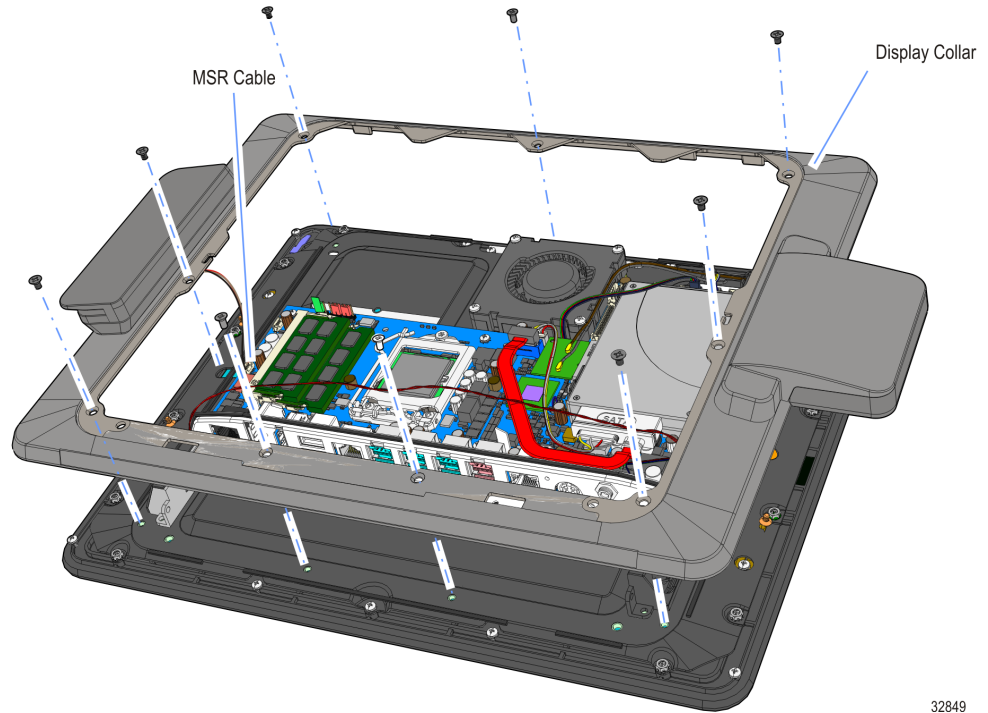
32808a

2. Remove the Rear Cover.
 - a. Loosen the captive screws (2) that secure the Rear Cover to the chassis.
 - b. Pivot the Rear Cover as shown to remove it.



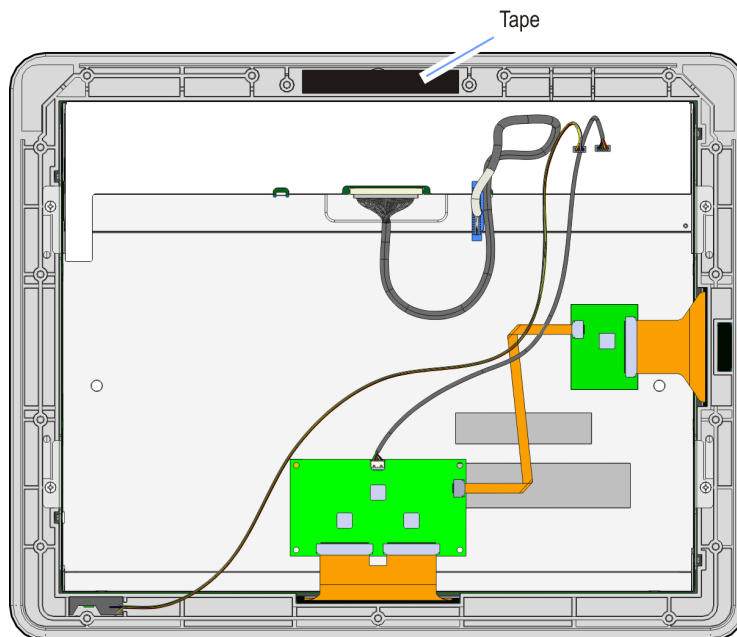
328221

3. Remove the Display Collar.
 - a. Disconnect the MSR/Biometrics Cable(s) from the Motherboard.
 - b. Remove the Display Collar (9 screws).



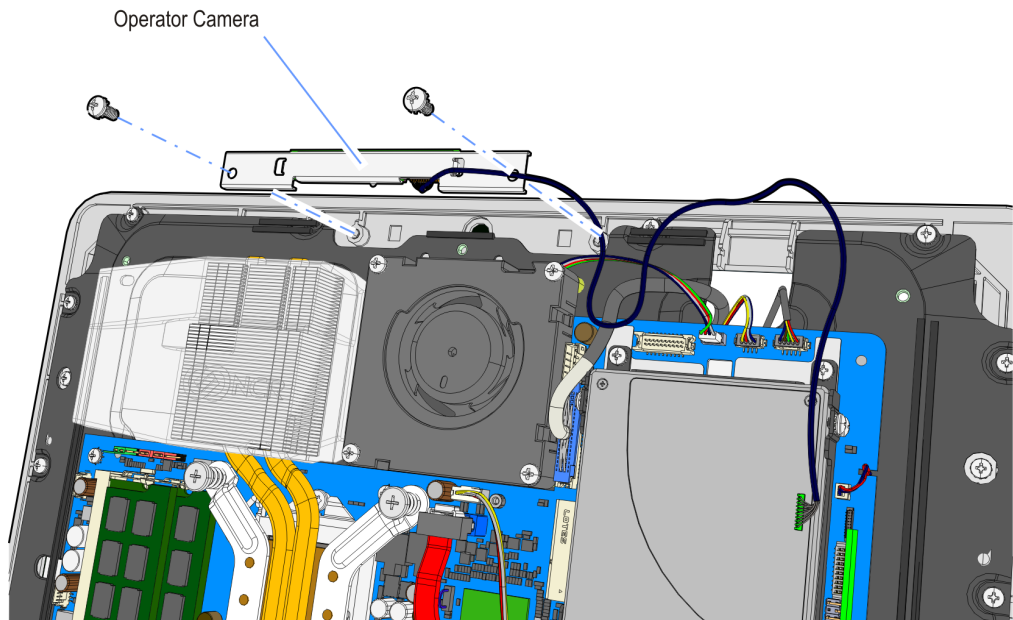
32849

4. Remove the black tape covering the lens opening on the display.

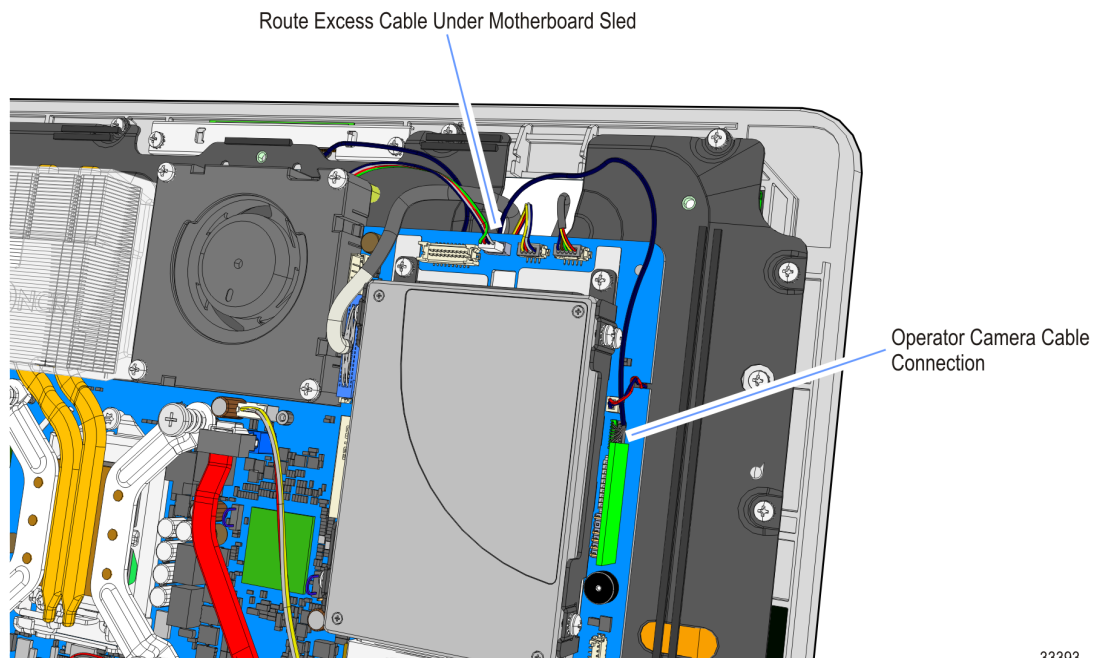


33353

5. Install the Operator Camera Assembly on the display (2 screws).



6. Connect the Operator Camera Cable to the Motherboard. Route the excess cable under the Motherboard Sled as shown.



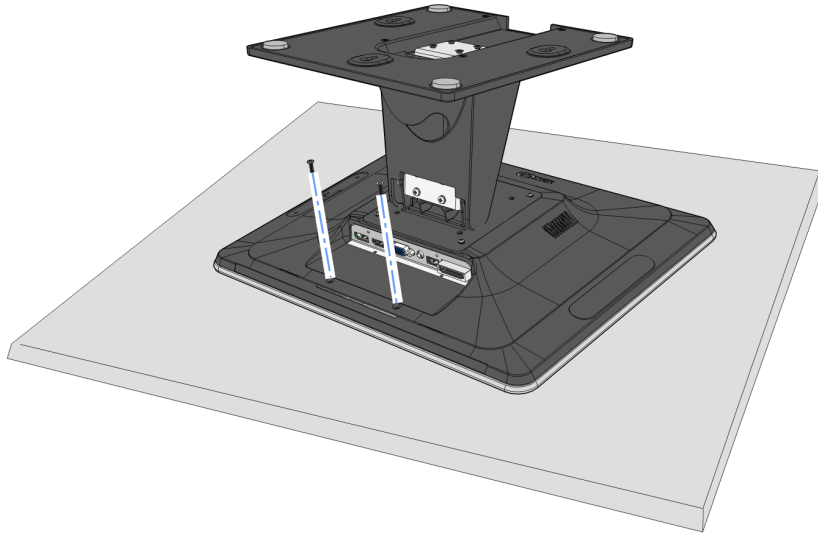
7. Reinstall the Display Collar.
8. Reinstall the Rear Cover.
9. Reinstall the Base Stand.

15" 5968 X-Series Display

1. Remove the screws (2) that secure the Stand and Rear Cover to the display.

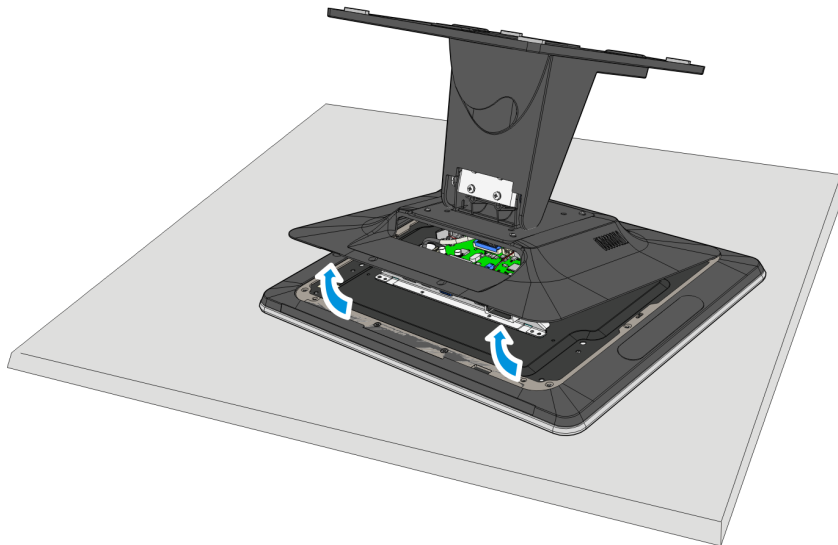


Note: Always use a soft material (cloth, foam) to protect the display screen when placing the display face down.



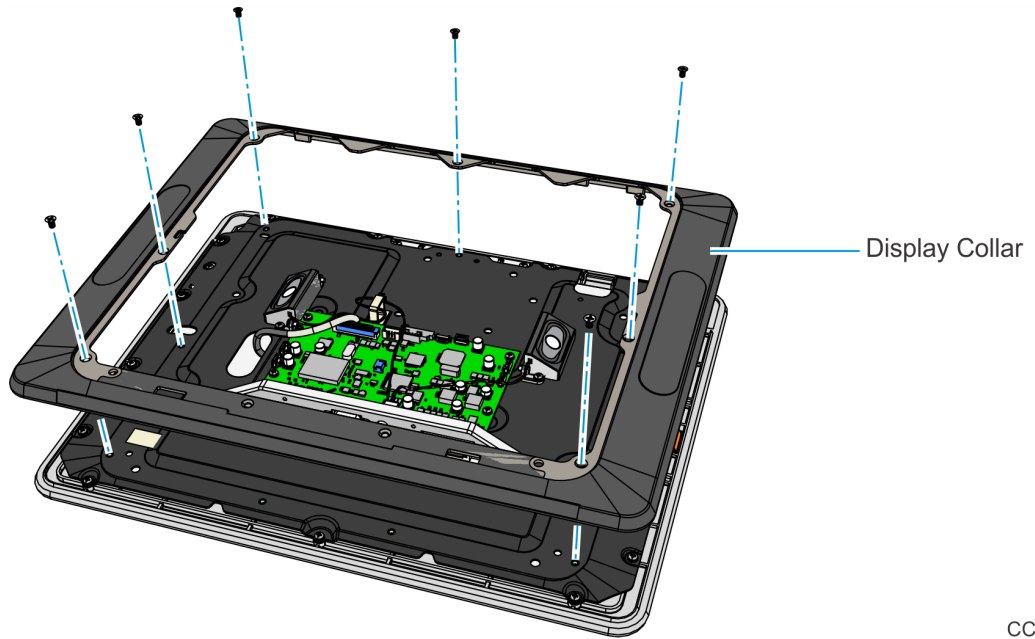
33867

2. Pivot the Stand and Rear Cover assembly as shown to remove it.



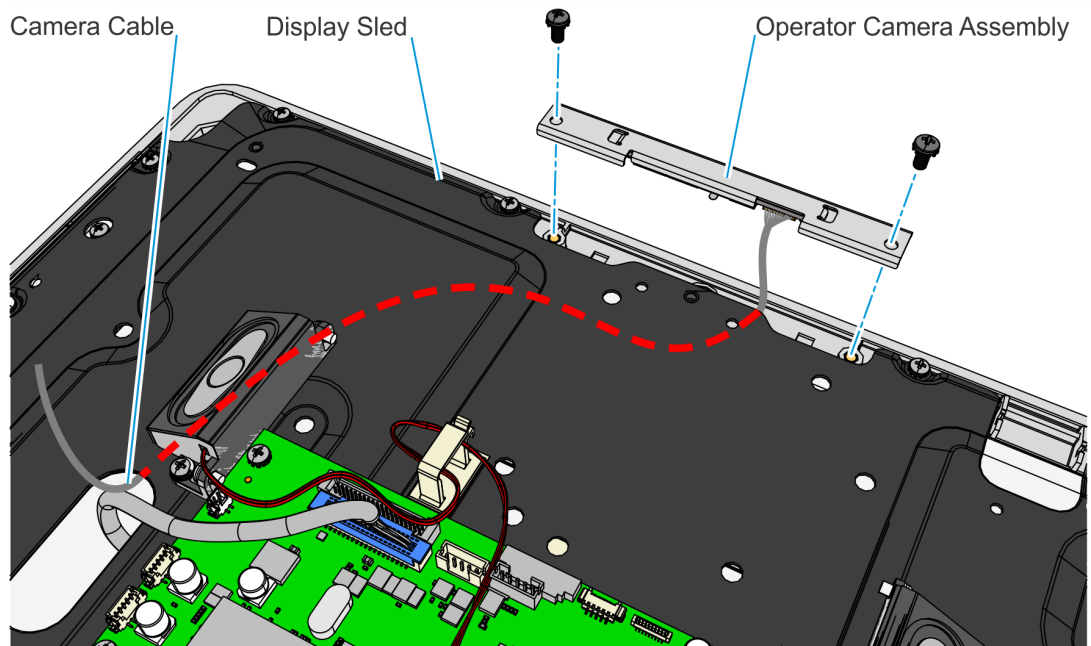
33868

3. Remove the Display Collar (7 screws).



CCP-75443

4. Feed the Camera Cable through the openings in the Display Sled as shown, then install the Operator Camera Assembly on the display (2 screws).

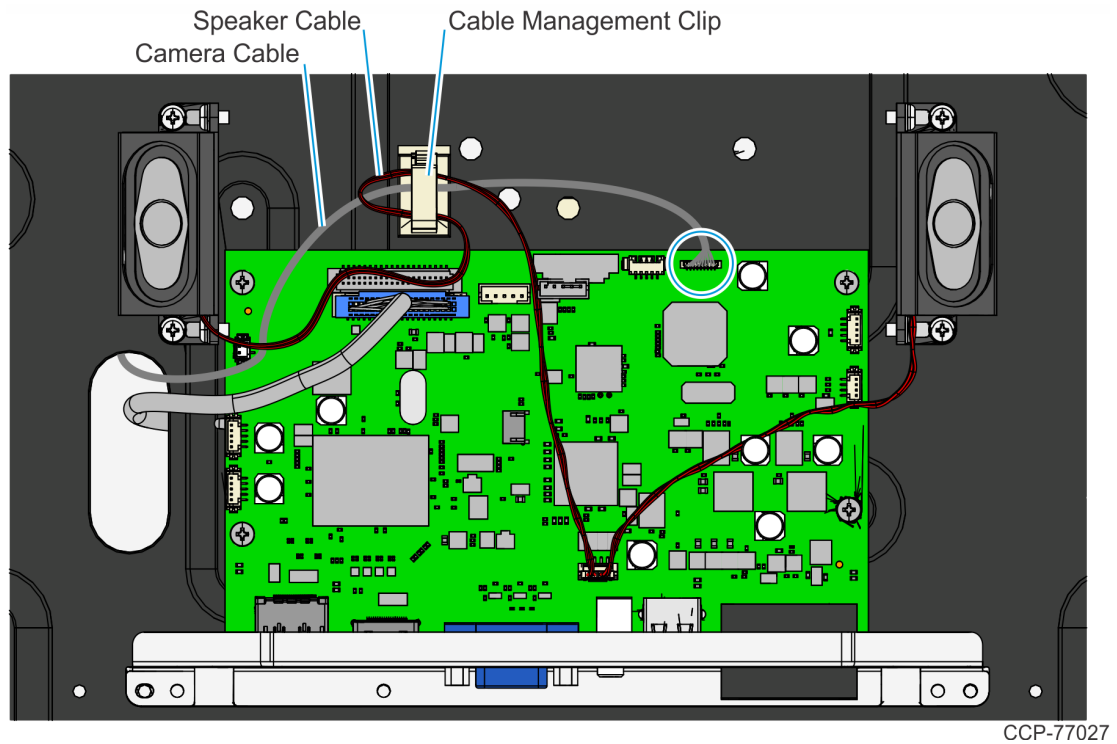


CCP-77026

5. Secure the Camera Cable in the Cable Management Clip, then connect it to the Video Board.



Note: Ensure the Camera Cable is routed under the Speaker Cable and does not lay on top of the speaker to avoid the Camera Cable from getting pinched when the Rear Cover is installed.



6. Reinstall the Display Collar.
7. Reinstall the Rear Cover.