

KIT INSTRUCTIONS

Wireless Network

7702-K153/K154
Issue A



The product described in this book is a licensed product of NCR Corporation.

NCR is a registered trademark of NCR Corporation. NCR RealPOS is a trademark of NCR Corporation in the United States and/or other countries. Other product names mentioned in this publication may be trademarks or registered trademarks of their respective companies and are hereby acknowledged.

The terms HDMI and HDMI High-Definition Multimedia Interface, and the HDMI Logo are trademarks or registered trademarks of HDMI Licensing LLC in the United States and other countries.

Where creation of derivative works, modifications or copies of this NCR copyrighted documentation is permitted under the terms and conditions of an agreement you have with NCR, NCR's copyright notice must be included.

It is the policy of NCR Corporation (NCR) to improve products as new technology, components, software, and firmware become available. NCR, therefore, reserves the right to change specifications without prior notice.

All features, functions, and operations described herein may not be marketed by NCR in all parts of the world. In some instances, photographs are of equipment prototypes. Therefore, before using this document, consult with your NCR representative or NCR office for information that is applicable and current.

To maintain the quality of our publications, we need your comments on the accuracy, clarity, organization, and value of this book.

Address correspondence to:

Manager, Information Solutions Group
NCR Corporation
Discovery Centre, 3 Fulton Road
Dundee, DD2 4SW
Scotland

Internet Address:

<http://www.info.ncr.com/Feedback>

Copyright © 2014

By NCR Corporation

Duluth, GA U.S.A.

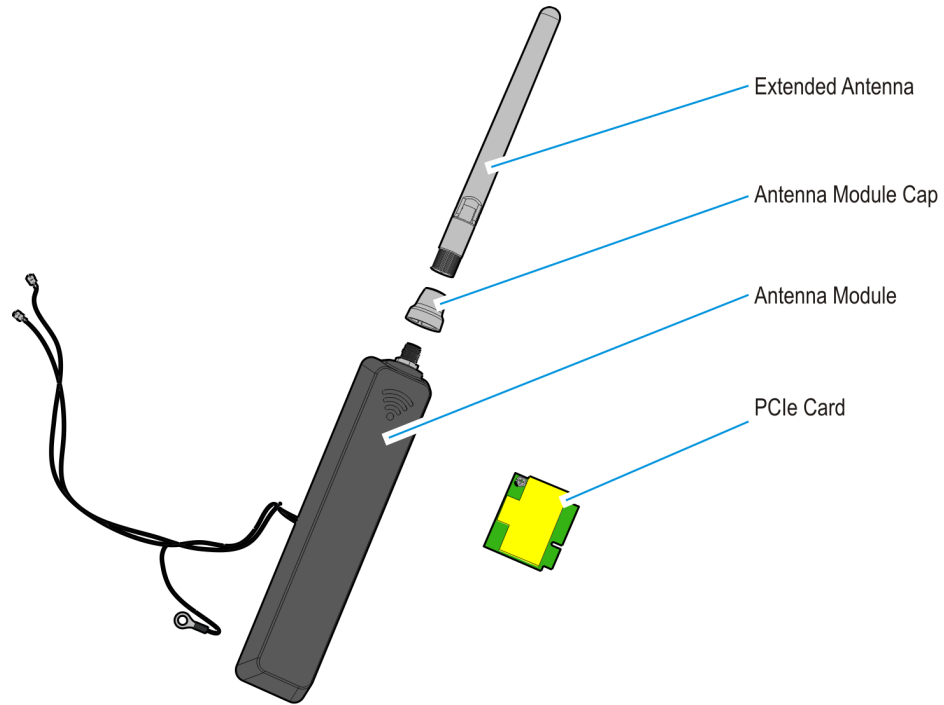
All Rights Reserved

Revision Record

Issue	Date	Remarks
A	Jun 2014	First Issue

Wireless Network

This kit provides the wireless network components for the RealPOS XR7 POS.



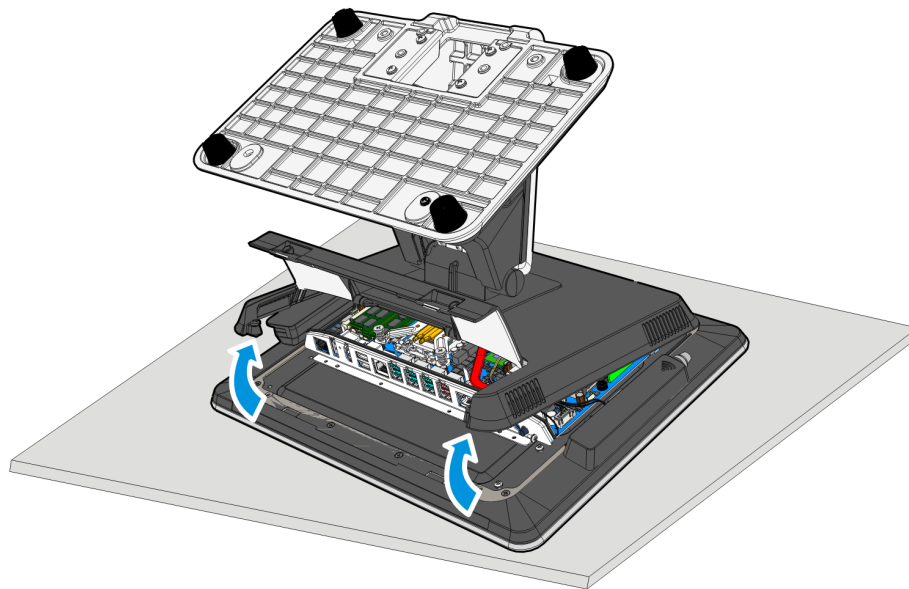
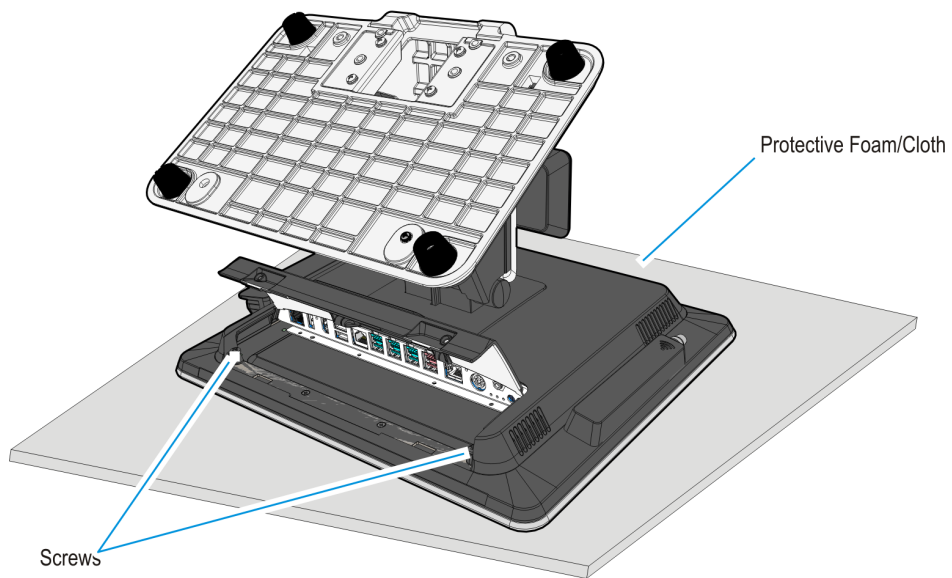
Installation Procedures

1. Lay the terminal face down on a flat surface.

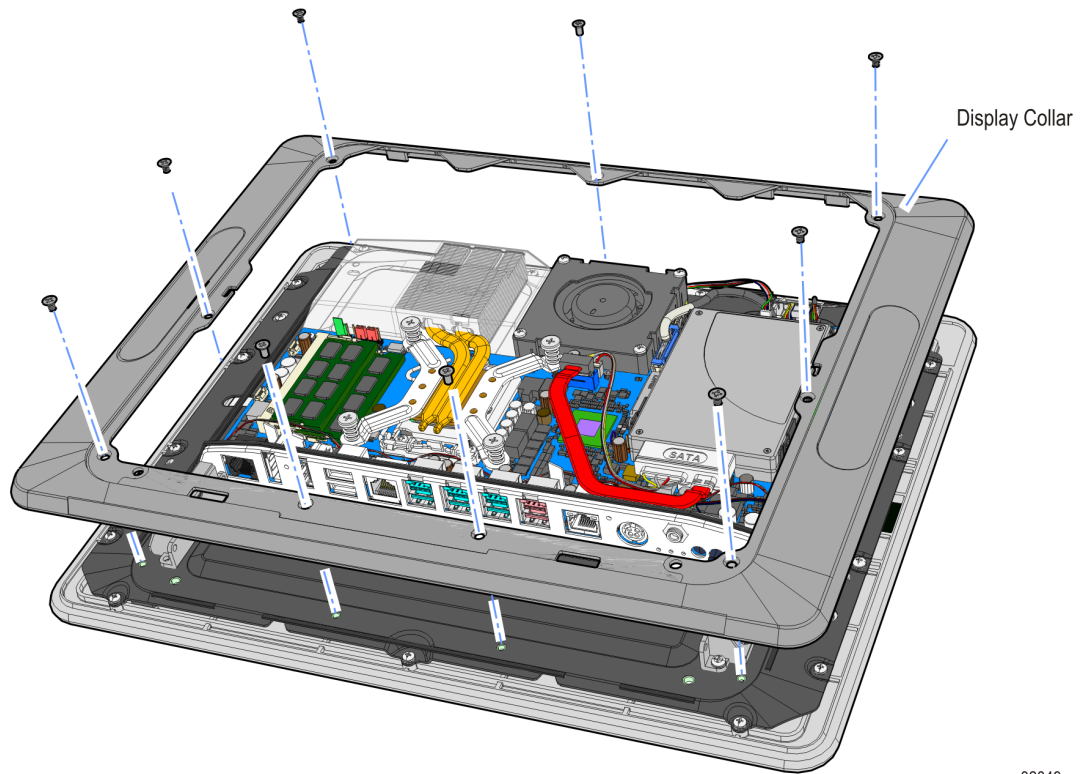


Caution: Always use a soft material (cloth, foam) to protect the display screen when placing the terminal face down.

2. Remove the Base Stand and Rear Cover assembly.
 - a. Loosen the captive screws (2) that secure the Rear Cover to the chassis.
 - b. Pivot the assembly as shown to remove it.

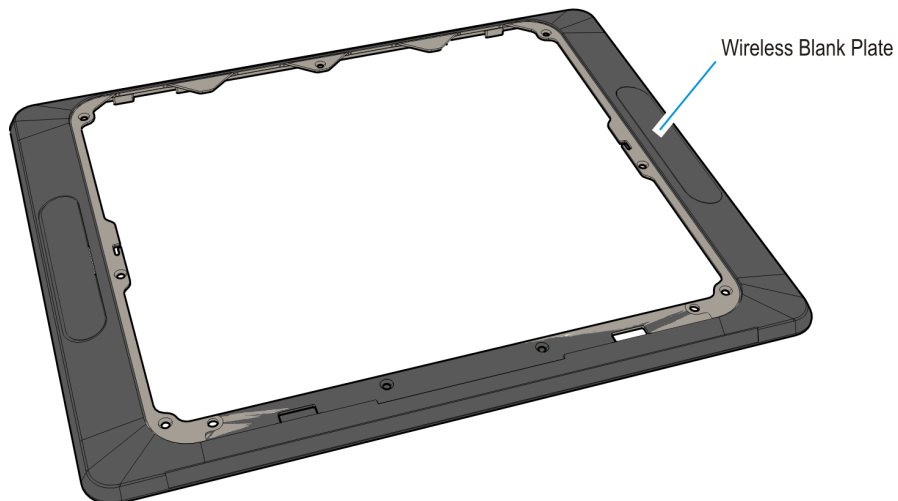


3. Remove the Display Collar (9 screws).



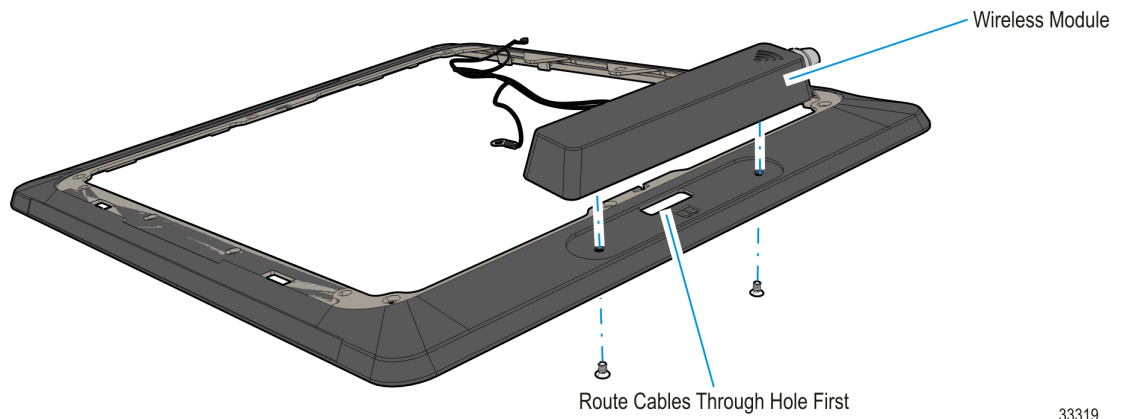
32849

4. Remove the Blank Plate (left side of terminal, right side is for MSR) from the Display Collar. The plate is connected to the Display Collar with a strong adhesive. Use care when removing it to not damage the Display Collar.

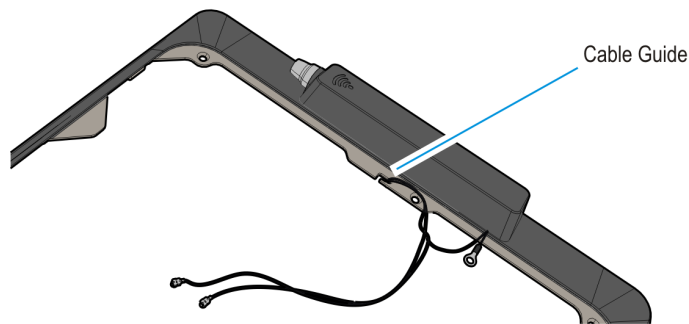


33309b

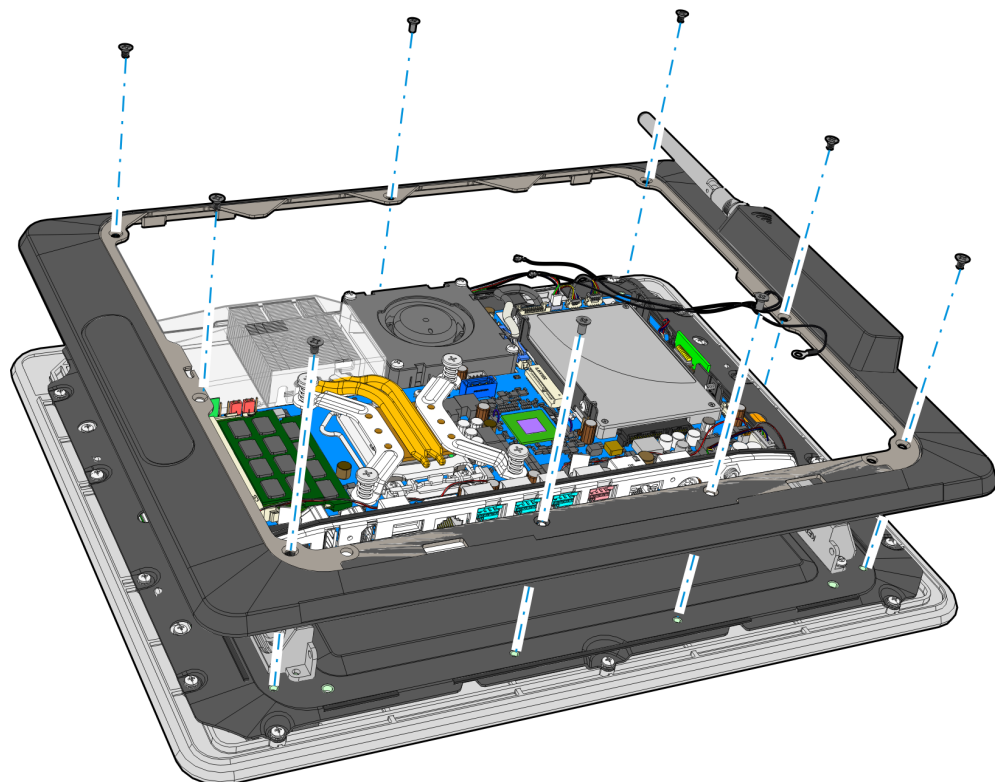
5. Install the Wireless Module onto the Display Collar (2 screws).



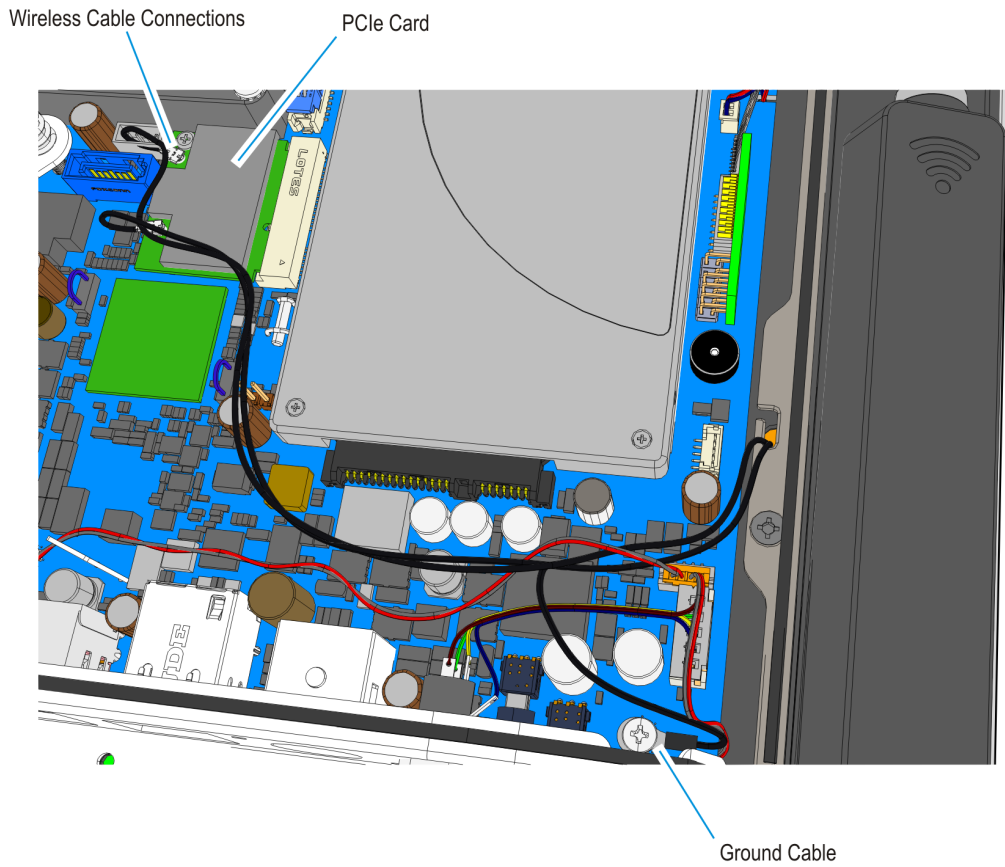
6. Route the Wireless Cable through the Cable Guide on the Display Collar.



7. Install the Display Collar onto the terminal.



8. Install the PCIe Card on the Motherboard connector and secure it with a screw.



9. Connect the Wireless Antenna Cables to the PCIe Card.
10. Connect the Ground Cable to the Motherboard.
11. Replace the Base Stand and Rear Cover assembly on the terminal.

Installing the Wireless Driver

The Wireless driver install package is located in the following location in the NCR disk image..

```
c:\Install\Drivers\Wireless
```

Run the `Wireless[nn.n.n.n]win32.exe` file and follow the prompts to install the driver.

Extended Antenna



Note: The Wireless Module has an internal antenna and if reception is adequate the External Dipole Antenna is not required and not installed for cosmetic reasons.

Installing the Dipole Antenna

1. Remove the Protective Cap from the Wireless Module (unscrew it).
2. Screw the dipole onto the Wireless Module.

